



# Rear Bench Seat Cover Installation Instructions



**For: TJ Wrangler '97 - '02**

**Part Number: 29221**

## Parts List

Seat Back Cover, Qty - 1  
Seat Bottom Cover, Qty - 1

Seat Covers are not waterproof.

Warning: DO NOT remove the seats from the vehicle to install this product.

## Warning:

This product is designed to enhance the appearance of the vehicle. Do not rely in any way on the components of this product to contain occupants within the vehicle, or to protect against injury or death in the event of an accident. This product will not protect the occupants from falling objects. Never operate vehicle in excess of manufacturer's specifications.

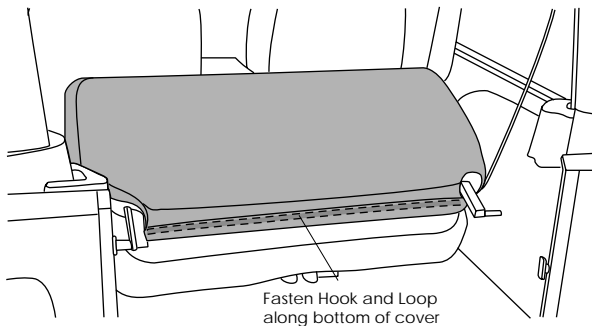
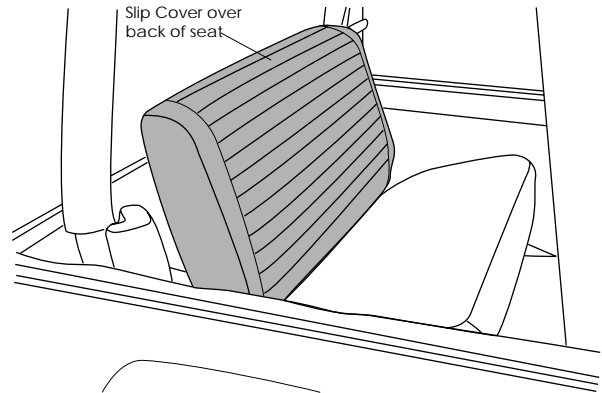
Wear seat belts at all times.

Read and follow, precisely, all installation instructions provided when installing this product. Failure to do so may result in a poor fit and could place occupants of the vehicle in a potentially dangerous situation.

## Seat Back Installation

### Step One

Orient the Seat Cover with the quilting toward the front of the seat and the opening along the bottom. Slip the cover over the seat from the top.



### Step Two

Fold the back of the seat forward and fasten the hook and loop strips along the bottom of the cover to each other.

