



Bench Seat Cover Installation Instructions

Bestop

For: Suzuki Samurai

Part Number: 29260

Parts List

Seat Back, Qty - 1
Seat Bottom, Qty - 1

Seat Covers are not waterproof.

Warning: *DO NOT* remove the seats from the vehicle to install this product.

Warning:

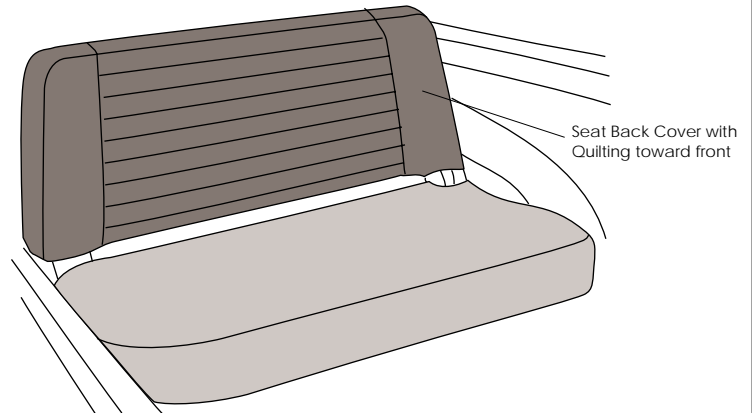
This product is designed to enhance the appearance of the vehicle and to shield the occupants from ordinary weather conditions. Do not rely in any way on the components of this product to contain occupants within the vehicle, or to protect against injury or death in the event of an accident. This product will not protect the occupants from falling objects. Never operate vehicle in excess of manufacturer's specifications.

Wear seat belts at all times.

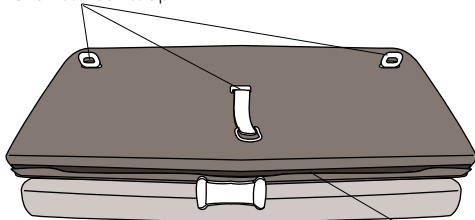
Read and follow, precisely, all installation instructions provided when installing this product. Failure to do so may result in a poor fit and could place occupants of the vehicle in a potentially dangerous situation.

Step One

Orient the Seat Back Cover with the quilting toward the front of the seat. Slip the cover over the seat back. Make sure that the three openings in the back of the cover are over the seat back release handles and the retention strap.



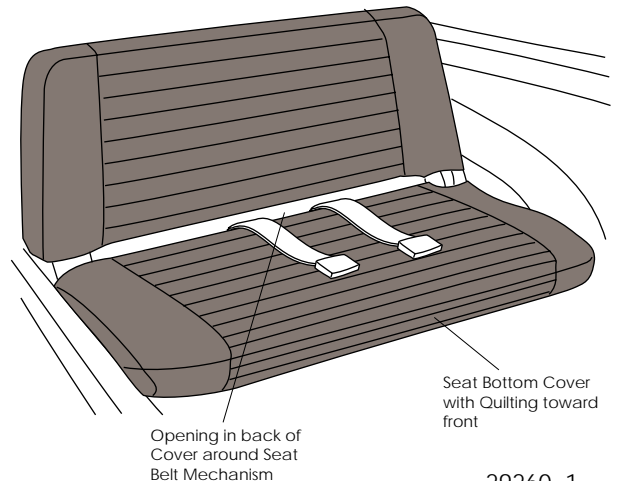
Openings in cover over Release Handles and Retention Strap



Fasten Hook and Loop on bottom of Cover

Step Two

Release the seat back and tip it forward. Fasten the hook and loop on the bottom of the cover.



Step Three

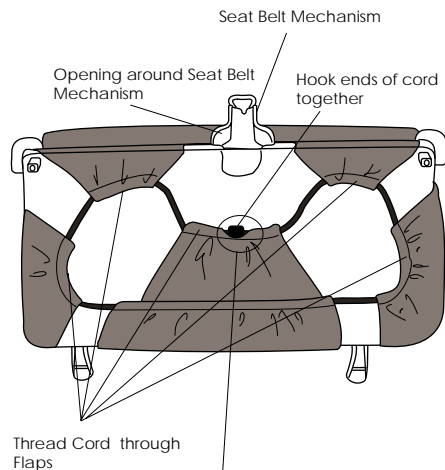
Orient the Seat Bottom Cover with the quilting toward the front. Slide the cover over the seat bottom with the opening in the back of the cover around the seat belt mechanism.

Step Four

With the seat back folded down, release the seat bottom and tip the seat up. Pull the fabric flaps around to the bottom of the seat with the opening around the seat belt mechanism.

Thread the cord through the flap ends and hook the ends of the cord together.

Replace the seat and lock it into position.



To Fasten Hooks

Slip the two hooks together at right angles to each other.

Turn one hook until they hook to each other.

To secure the hooks, pull them against each other until they click into position.

To Release Hooks: Turn one hook until it is at right angles to the other and pull apart.

The diagram shows three stages of hook fastening: 1. Two hooks at right angles. 2. One hook rotated to interlock with the other. 3. The hooks pulled together until they click.

LIMITED WARRANTY

We warrant our product to be free from defects in material and workmanship, for the terms specified below, provided there has been normal use and proper maintenance. This warranty applies to the original purchaser only. All remedies under this warranty are limited to the repair or replacement of any item or items found by the factory to be defective within the time period specified.

If you have a warranty claim, first you must call our factory at the number below for instructions. You must retain proof of purchase and submit a copy with any items returned for warranty work. Upon completion of warranty work, if any, we will return the repaired or replaced item or items to you freight prepaid. Damage to our products caused by accidents, fire, vandalism, negligence, misinstallation, misuse, Acts of God, or by defective parts not manufactured by us, is not covered under this warranty.

THE WARRANTY TIME PERIOD IS AS FOLLOWS: ALL "SOFT GOODS" MANUFACTURED BY OUR COMPANY (USING PRIMARILY VINYL, PLASTICS, AND/OR FOAM): ONE YEAR FROM DATE OF PURCHASE.

ANY IMPLIED WARRANTIES OF MERCHANTABILITY AND/OR FITNESS FOR A PARTICULAR PURPOSE CREATED HEREBY ARE LIMITED IN DURATION TO THE SAME DURATION AND SCOPE AS THE EXPRESS WRITTEN WARRANTY. OUR COMPANY SHALL NOT BE LIABLE FOR ANY INCIDENTAL OR CONSEQUENTIAL DAMAGE.

Some states do not allow limitations on how long an implied warranty lasts, or the exclusion or limitation of incidental or consequential damages, so the above limitations or exclusions may not apply to you.

This warranty gives you specific legal rights, and you may also have other rights which vary from state to state.

For further information or request for warranty work, please contact:

Bestop Inc.
Customer Service
(800)845-3567
(303)465-1755

*All or a portion of this product may be made in China.