



TrailMax™ Fold and Tumble Rear Seat Installation Instructions



For: Jeep® Wranglers 1997 and Newer

**Part Number: 39331 Vinyl
39341 Cloth**

Jeep® is a registered trademark of Chrysler and Bestop is not affiliated with Chrysler Corporation.



WARNING

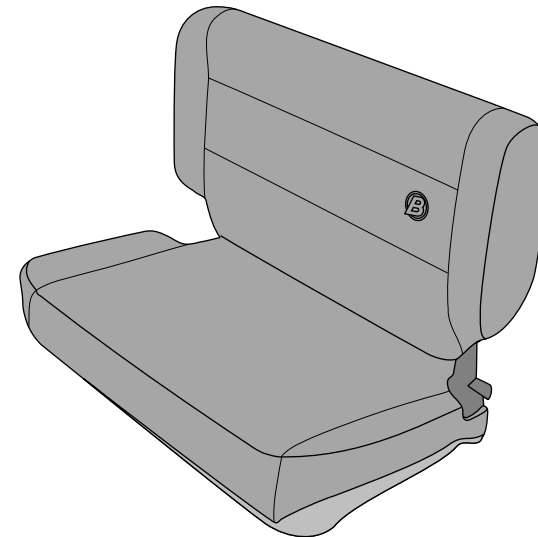
Before you begin installing this seat, please read all installation instructions and warnings thoroughly.

This seat is designed to be used on the model vehicles described above. Use of this seat on any other vehicle or failure to install this seat properly may result in an improperly mounted seat and could result in unexpected movement of the seat and loss of control of the vehicle, thereby placing the occupants of the vehicle and others in a potentially dangerous situation.

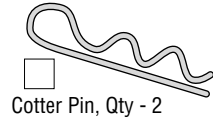
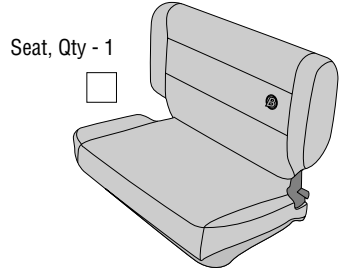
This seat system is intended to be used with seat belts at all times. Do not rely on the seat to maintain the seating position of occupants, in the event of an accident.

WEAR SEAT BELTS AT ALL TIMES

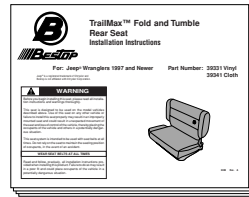
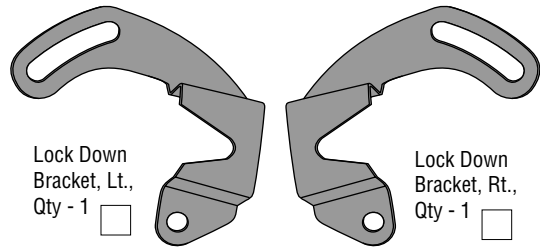
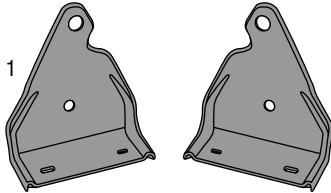
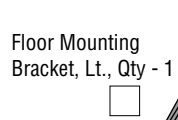
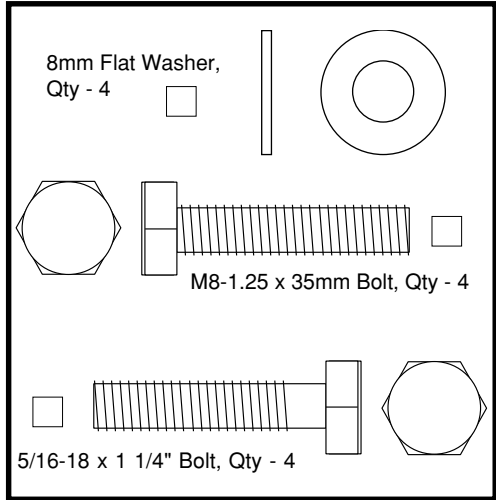
Read and follow, precisely, all installation instructions provided when installing this product. Failure to do so may result in a poor fit and could place occupants of the vehicle in a potentially dangerous situation.



Parts List and Hardware Identification



Tools Needed
Adjustable Wrench or
1/2" Wrench
13mm Wrench



Installation Instruction
Manual, Qty - 1

Note: Use only the Bestop hardware
provided in the kit.

Caution

Note: Before beginning the seat installation, set the parking brake, place the vehicle in gear or park and chock the wheels to reduce the risk of the vehicle unexpectedly moving, which could result in serious injury.

Seat Installation



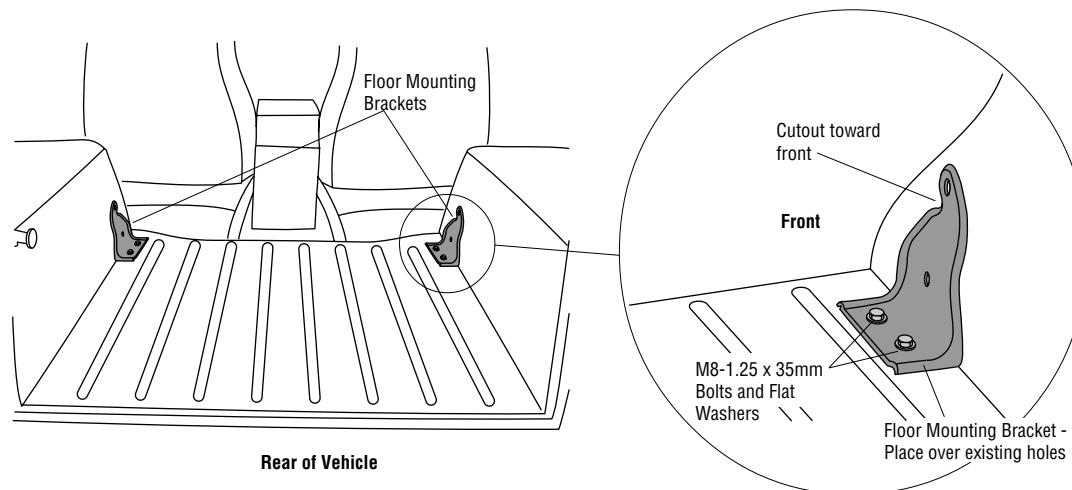
WARNING

If your vehicle has carpet covering the floor, cut the carpet so that the Floor Mounting Brackets are installed flush on the metal floor. If the Floor Mounting Brackets are not flush mounted, the seatback may not lock in place, which could result in serious injury to you and others.

Step One

Floor Mounting Bracket Installation

Locate the Floor Mounting Bracket mounting holes on the floor of the vehicle behind the front seat risers. Orient the Floor Mounting Brackets with the cutout toward the front of the vehicle and align the holes in the Floor Mounting Brackets with the holes in the vehicle. Install two (2) M8-1.25 x 35mm Bolts and two (2) Flat Washers in each bracket. Securely Tighten the bolts.



WARNING

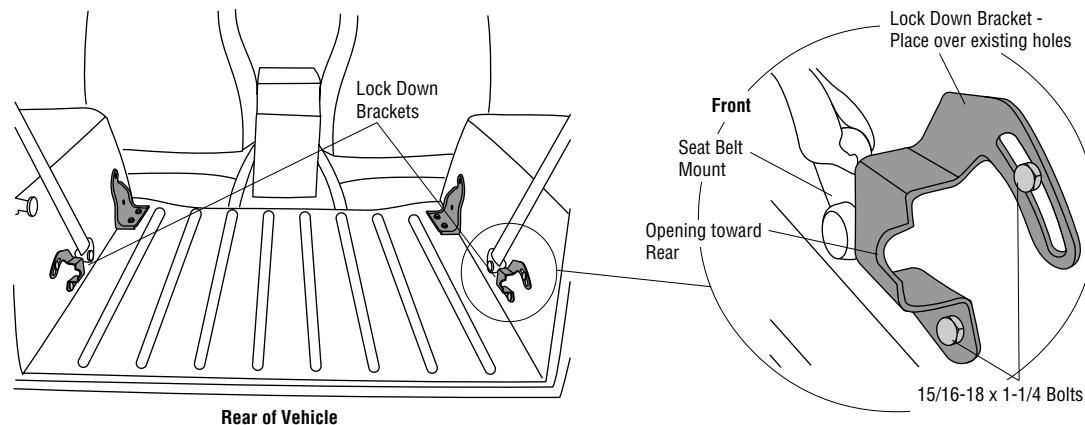
If your vehicle has carpet covering the floor, cut the carpet so that the Floor Mounting Brackets are installed flush on the metal floor. If the Floor Mounting Brackets are not flush mounted, the seatback may not lock in place, which could result in serious injury to you and others.

Step Two

Lock Down Bracket Installation

Orient the Lock Down Brackets with the opening and the curved slot toward the rear of the vehicle. Align the lower mounting hole and the curved slot with the holes in the side of the vehicle tub, just behind the seat belt mount.

Install each bracket using two (2) 5/16-18 x 1-1/4 Bolts. Loosely tighten the bolts.





WARNING

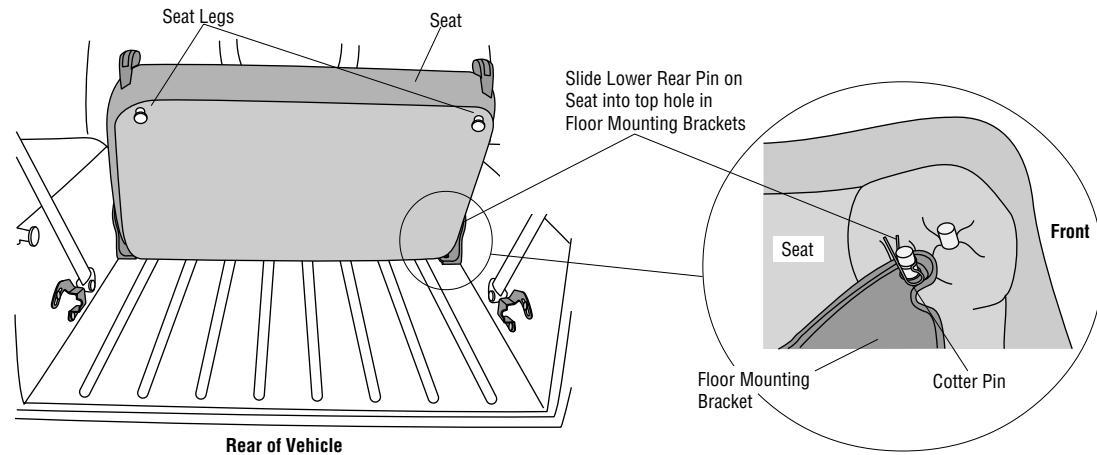
Failure to install the Cotter Pin may result in the seat moving off the Front Brackets which could result in serious injury to you and others.

Step Three

Seat Installation

Orient the Seat, with the Legs on the bottom of the seat facing the rear of the vehicle. Fold the Seat back down into the closed position. Place Seat in the vehicle.

Locate the two (2) pins in each front corner of the seat cushion. Slide the lower, rear pin on one side into the top hole in the Floor Mounting Bracket on that side. Push the pin as far as possible into the hole and tip the seat down to slide the pin on the other side into the Mounting Bracket. Once the pins are securely in the brackets on both sides, install a Cotter Pin on each pin. Make sure that the Cotter Pins are securely in the grooves in the pins.



WARNING

Adjust the height of the Adjustable Seat Legs to assure the seat back locks securely into the Lock Down Brackets. If the Seat does not lock in place, it may tilt forward unexpectedly which could result in serious injury to you and others.

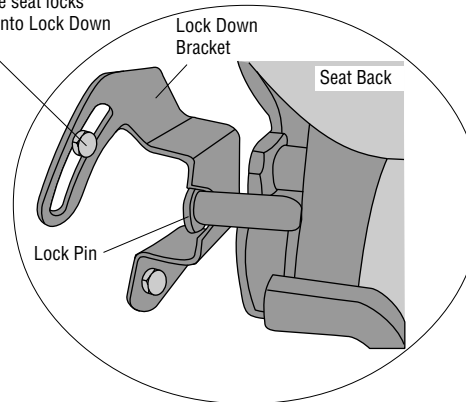
Step Four

Lock Down Bracket Adjustment

Place the bottom of the seat down on the floor of the vehicle. Raise the seat back into the sitting position and check the alignment of the Lock Down Pin on the seat with the Lock Down Bracket. If the pin locks into the bracket, but the seat wiggles, rotate the bracket toward the rear of the vehicle. If the pin does not engage completely into the bracket, rotate the bracket toward the front of the vehicle. Once the seat locks securely into position, tighten the bolts on the Lock Down Bracket.

The legs on the rear of the seat may be adjusted up or down to fine tune the adjustment of the seat. Turn the legs clockwise or counterclockwise to raise or lower the seat.

Adjust position of bracket to make sure seat locks securely into Lock Down Bracket



Care of your Bestop Seat

Your seat is made of the finest materials available. To keep it looking new and for the maximum possible wear, it will need periodic cleaning.

Washing: The seat fabric should be washed often using a mild detergent, warm water and a soft bristle brush. Rinse with clear water to remove all traces of soap.

LIMITED WARRANTY

We warrant our product to be free from defects in material and workmanship, for terms specified below, provided there has been normal use and proper maintenance. This warranty applies to the original purchaser only. All remedies under this warranty are limited to the repair or replacement of any item or items found by the factory to be defective within the time period specified.

If you have a warranty claim, first you must call our factory at the number below for instructions. You must retain proof of purchase and submit a copy with any items returned for warranty work. Upon completion of warranty work, if any, we will return the repaired or replaced item or items to you freight prepaid. Damage to our products caused by accidents, fire, vandalism, negligence, misinstallation, misuse, Acts of God, or by defective parts not manufactured by us, is not covered under this warranty.

THE WARRANTY TIME PERIOD IS AS FOLLOWS: ALL "SOFT GOODS" MANUFACTURED BY OUR COMPANY (USING PRIMARILY VINYL, PLASTICS, AND/OR FOAM): ONE YEAR FROM DATE OF PURCHASE.

ANY IMPLIED WARRANTIES OF MERCHANTABILITY AND/OR FITNESS FOR A PARTICULAR PURPOSE CREATED HEREBY ARE LIMITED IN DURATION TO THE SAME DURATION AND SCOPE AS THE EXPRESS WRITTEN WARRANTY. OUR COMPANY SHALL NOT BE LIABLE FOR ANY INCIDENTAL OR CONSEQUENTIAL DAMAGE.

Some states do not allow limitations on how long an implied warranty lasts, or the exclusion or limitation of incidental or consequential damages, so the above limitations or exclusions may not apply to you.

This warranty gives you specific legal rights, and you may also have other rights which vary from state to state.

For further information or request for warranty work, please contact:

Bestop Inc.
Customer Service
(800)346-3910
(303)465-1755

