



TrailMax™ Fold and Tumble Rear Seat Installation Instructions



For: All Jeep® CJ5s, CJ7s and Wranglers 1955-1995

**Part Number: 39333 Vinyl
39343 Cloth**

Jeep® is a registered trademark of Chrysler and Bestop is not affiliated with Chrysler Corporation.



WARNING

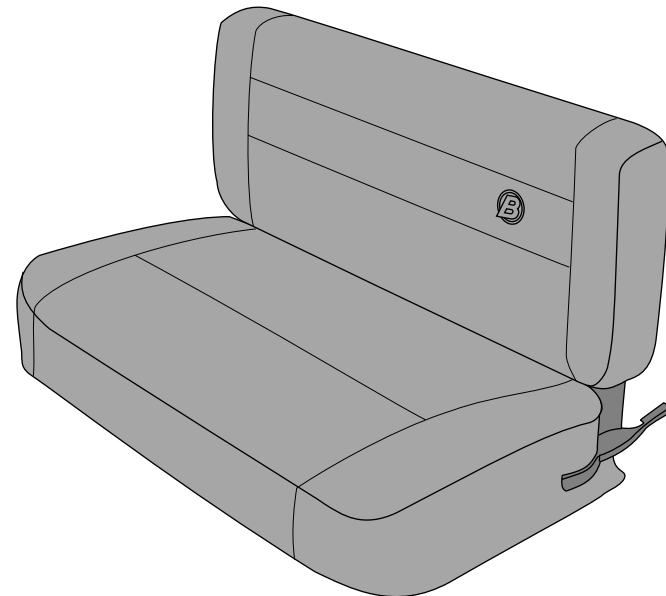
Before you begin installing this seat, please read all installation instructions and warnings thoroughly.

This seat is designed to be used on the model vehicles described above. Use of this seat on any other vehicle or failure to install this seat properly may result in an improperly mounted seat and could result in unexpected movement of the seat and loss of control of the vehicle, thereby placing the occupants of the vehicle and others in a potentially dangerous situation.

This seat system is intended to be used with seat belts at all times. Do not rely on the seat to maintain the seating position of occupants, in the event of an accident.

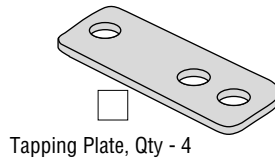
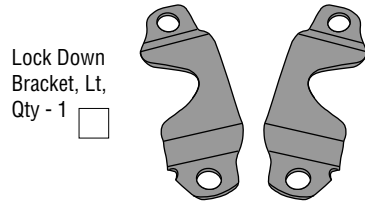
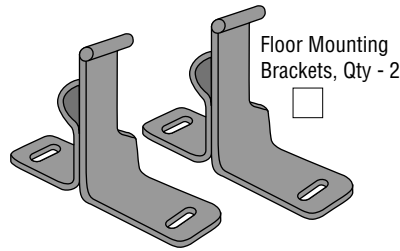
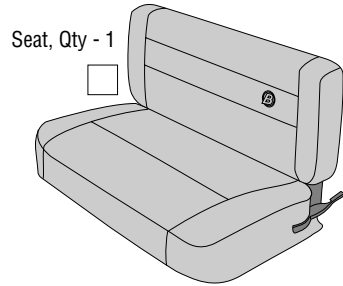
WEAR SEAT BELTS AT ALL TIMES

Read and follow, precisely, all installation instructions provided when installing this product. Failure to do so may result in a poor fit and could place occupants of the vehicle in a potentially dangerous situation.



NOTE: In 1985 and older vehicles, the seat installation will be easier with two people.

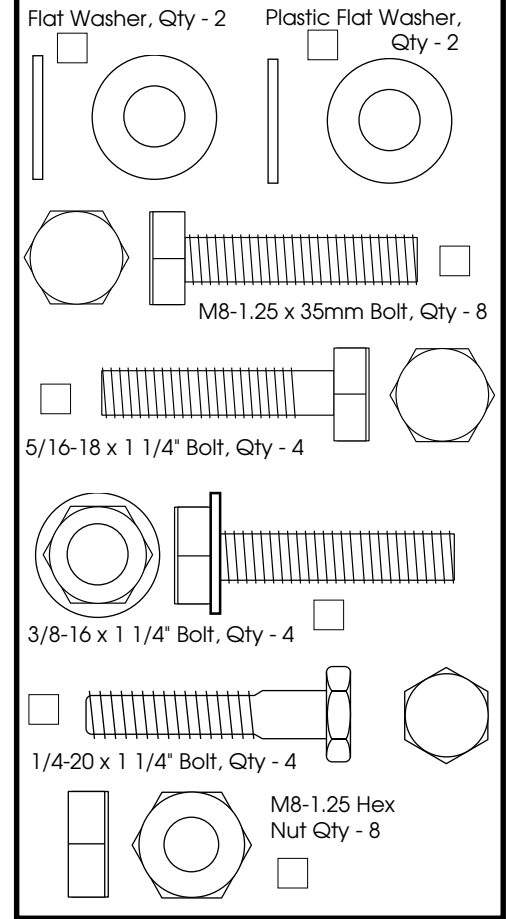
Parts List and Hardware Identification



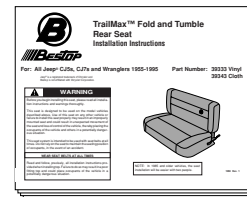
Tools Needed

Adjustable Wrench or
9/16" Wrench
7/16" Wrench
1/2" Wrench (older models)
10mm Wrench (older models)
Safety Glasses

1985 or Earlier Vehicles
25/64" Drill Bit
7/16" Drill Bit (older models)



Note: Use only the Bestop hardware provided in the kit.



Installation Instruction Manual, Qty - 1

Seat Installation



Caution

Note: Before beginning the seat installation, set the parking brake, place the vehicle in gear or park and chock the wheels to reduce the risk of the vehicle unexpectedly moving, which could result in serious injury.



WARNING

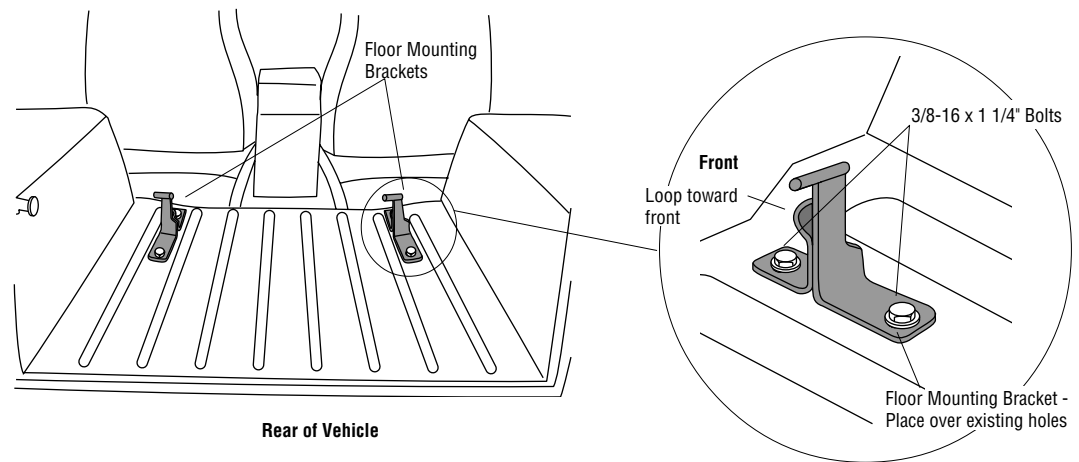
If your vehicle has carpet covering the floor, cut the carpet so that the Floor Mounting Brackets are installed flush on the metal floor. If the Floor Mounting Brackets are not flush mounted, the seatback may not lock in place, which could result in serious injury to you and others.

1986 and Newer Vehicles

Step One

Floor Mounting Bracket Installation

Locate the Floor Mounting Bracket mounting holes on the floor of the vehicle behind the front seat risers. Align the Floor Mounting Brackets over the mounting holes with the loop on the bracket positioned towards the front of the vehicle. Insert two (2) 3/8-16 x 1 1/4" Bolts in each bracket. Loosely tighten the bolts using an adjustable wrench or 9/16" wrench.





WARNING

If your vehicle has carpet covering the floor, cut the carpet so that the Floor Mounting Brackets are installed flush on the metal floor. If the Floor Mounting Brackets are not flush mounted, the seatback may not lock in place, which could result in serious injury to you and others.

1985 and Older Vehicles

Step One

Floor Mounting Bracket Installation

Orient the Seat, with the Legs on the bottom of the seat facing the rear of the vehicle. Fold the Seat back down into the closed position.

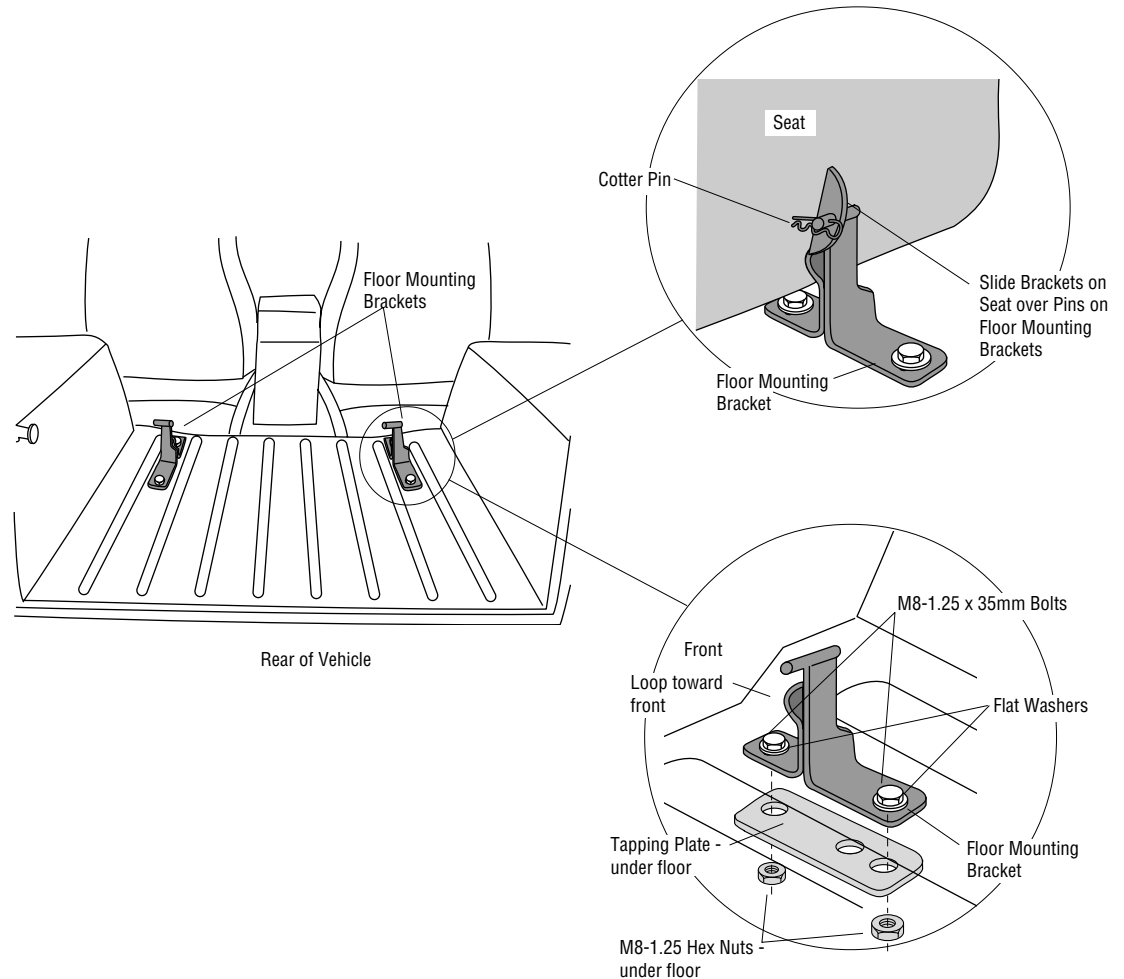
Attach the two (2) Floor Mounting Brackets to the bottom of the seat by sliding the pins of the Floor Mounting Brackets into the holes of the brackets on the bottom of the seat. Install Cotter Pins through the small hole in the Floor Mounting Bracket pin of the left and right Floor Mounting Brackets. The loop on the Floor Mounting Bracket is to face the front of the vehicle.

Set the Seat in the rear of the vehicle. Open the Seat, and with the seat back in the raised position center the Seat from side to side and in the desired position from front to rear.

Once the Seat is in the desired position lower the seat back and "tumble" the Seat forward, maintaining the Floor Mounting Brackets in position.

Using the Floor Mounting Brackets as templates, mark hole locations of the Floor Mounting Brackets. Remove the seat. Center punch and drill a 25/64" hole at each mark. Remove the Floor Mounting Brackets from the seat.

Align the Floor Mounting Brackets over the drilled holes with the loops on the Mounting Bracket positioned toward the front of the vehicle. From underneath the vehicle, align the tapping plates and M8-1.25 Hex Nuts over the drilled holes and hold them in place. Insert two (2) M8-1.25 x 35mm Bolts with two (2) Flat Washers through each Mounting Bracket. Loosely tighten the bolts using an adjustable wrench or 10mm wrench.





WARNING

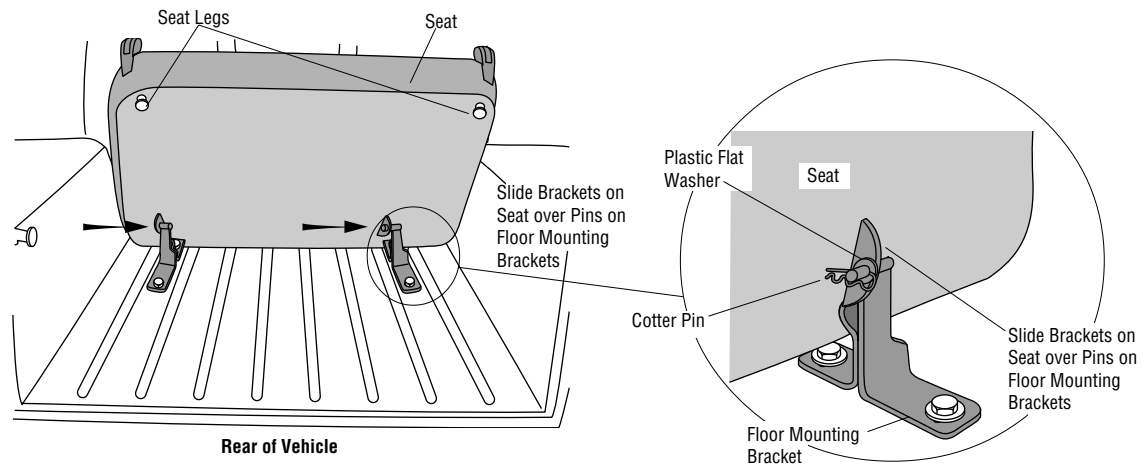
Failure to install the Cotter Pin may result in the seat moving off the Front Brackets which could result in serious injury to you and others.

Step Two

Seat Installation

Orient the Seat, with the Legs on the bottom of the seat facing the rear of the vehicle. Fold the Seat back down into the closed position. Place Seat in the vehicle.

Slide the Seat toward the front of the vehicle. Align the holes of the brackets, on the bottom of the seat cushion, with the pins of the Floor Mounting Bracket. Slide the bracket holes over the pins on the Floor Mounting Brackets. Slide a Plastic Flat Washer over the pin and install a Cotter Pin through the holes in the pin of the Left and Right Floor Mounting Bracket.



WARNING

Adjust the height of the Adjustable Seat Legs to assure the seat back locks securely into the Lock Down Brackets. If the Seat does not lock in place, it may tilt forward unexpectedly which could result in serious injury to you and others.

1986 and Newer Vehicles

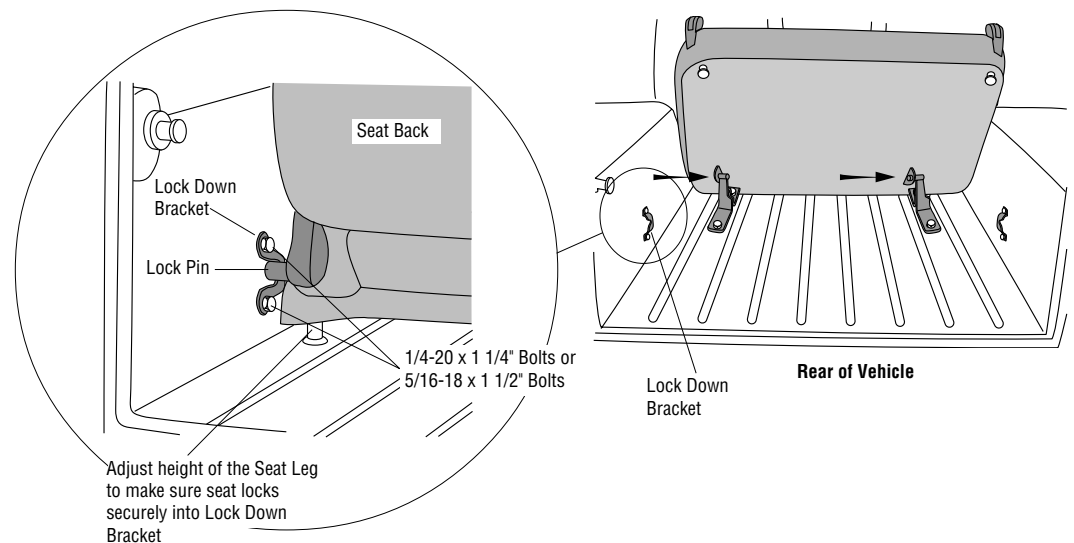
Step Three

Lock Down Bracket Installation

Place the bottom of the seat down on the floor of the vehicle. Raise the seat back into the sitting position. Locate the Lock Pin on the seat hinge and place a Lock Down Bracket over the holes in the wheel well. Orient the Left and Right Lock Down Brackets with the opening towards the top and the rear of the vehicle. Install the appropriate Lock Down Bracket on each side of the vehicle using two 1/4-20 x 1 1/4" Bolts for model years 1986 - 1991 or 5/16-18 x 1 1/4" Bolts for model years 1992 - 1995. Loosely tighten the bolts using an adjustable wrench or 1/2" wrench for 1986 - 1991 vehicles, or a 7/16" wrench for 1992 - 1995 vehicles.

Adjust the seat height to make sure the Seat locks into the Lock Down Brackets.

Tighten all eight (8) of the previously installed bolts with an adjustable wrench or 1/2" wrench for 1986 - 1991 vehicles, or a 7/16" wrench for 1992 - 1995 vehicles.



Note: If replacing a factory seat, please remove all factory hardware and replace with Bestop hardware from the enclosed kit.



WARNING

Adjust the height of the Adjustable Seat Legs to assure the seat back locks securely into the Lock Down Brackets. If the Seat does not lock in place, it may tilt forward unexpectedly which could result in serious injury to you and others.

1985 and Older Vehicles

Step Three

Lock Down Bracket Installation

Lower the Seat onto the floor of the vehicle. Raise the Seat Back into the sitting position. Locate the Lock Pin on the Seat Hinge

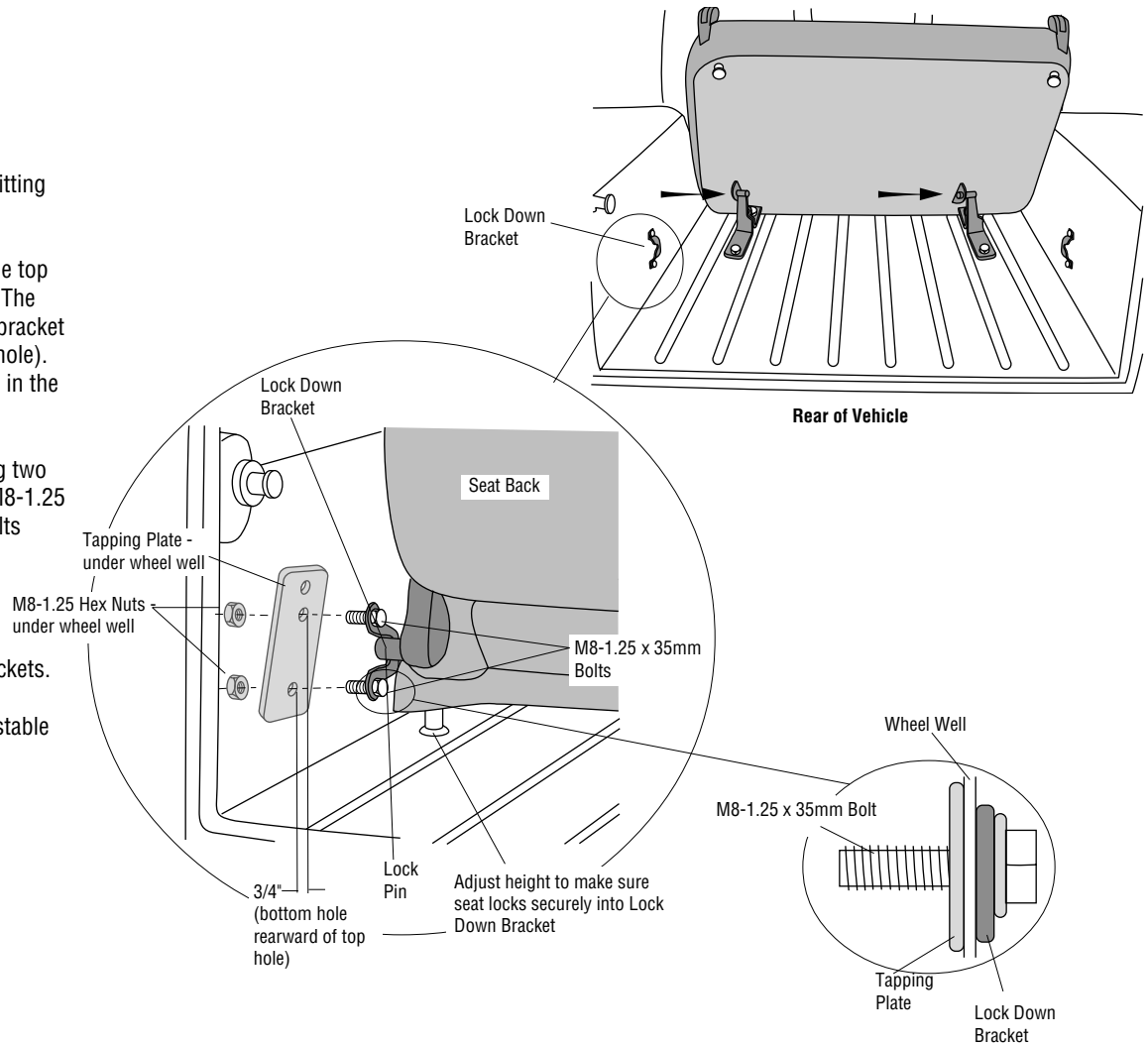
Orient the Left and Right Lock Down Brackets with the opening towards the top and the rear of the vehicle. Place a Lock Down Bracket over the Lock Pin. The bracket should be at a 10 degree angle to the floor with the bottom of the bracket tilted toward the rear (the bottom hole should be 3/4" rearward of the top hole). Use the Lock Down Bracket as a template. Mark the locations of the holes in the bracket. Center punch the locations and drill a 21/64" hole at each mark.

While one person installs a Lock Down Bracket inside of the vehicle, using two M8-1.25 x 35mm Bolts a second person places a Tapping Plate and two M8-1.25 Hex Nuts over the holes from under the wheel well. Loosely tighten the bolts using an adjustable wrench or 10mm wrench.

This procedure is repeated for the other side of the vehicle.

Adjust the seat height to make sure the seat locks into the Lock Down Brackets.

Tighten all eight (8) of the previously installed bolts and nuts with an adjustable wrench or 10mm wrench.



Note: If replacing a factory seat, please remove all factory hardware and replace with Bestop hardware from the enclosed kit.

Care of your Bestop Seat

Your seat is made of the finest materials available. To keep it looking new and for the maximum possible wear, it will need periodic cleaning.

Washing: The seat fabric should be washed often using a mild detergent, warm water and a soft bristle brush. Rinse with clear water to remove all traces of soap.

LIMITED WARRANTY

We warrant our product to be free from defects in material and workmanship, for terms specified below, provided there has been normal use and proper maintenance. This warranty applies to the original purchaser only. All remedies under this warranty are limited to the repair or replacement of any item or items found by the factory to be defective within the time period specified.

If you have a warranty claim, first you must call our factory at the number below for instructions. You must retain proof of purchase and submit a copy with any items returned for warranty work. Upon completion of warranty work, if any, we will return the repaired or replaced item or items to you freight prepaid. Damage to our products caused by accidents, fire, vandalism, negligence, misinstallation, misuse, Acts of God, or by defective parts not manufactured by us, is not covered under this warranty.

THE WARRANTY TIME PERIOD IS AS FOLLOWS: ALL "SOFT GOODS" MANUFACTURED BY OUR COMPANY (USING PRIMARILY VINYL, PLASTICS, AND/OR FOAM): ONE YEAR FROM DATE OF PURCHASE.

ANY IMPLIED WARRANTIES OF MERCHANTABILITY AND/OR FITNESS FOR A PARTICULAR PURPOSE CREATED HEREBY ARE LIMITED IN DURATION TO THE SAME DURATION AND SCOPE AS THE EXPRESS WRITTEN WARRANTY. OUR COMPANY SHALL NOT BE LIABLE FOR ANY INCIDENTAL OR CONSEQUENTIAL DAMAGE.

Some states do not allow limitations on how long an implied warranty lasts, or the exclusion or limitation of incidental or consequential damages, so the above limitations or exclusions may not apply to you.

This warranty gives you specific legal rights, and you may also have other rights which vary from state to state.

For further information or request for warranty work, please contact:

Bestop Inc.
Customer Service
(800)346-3910
(303)465-1755

