



Upper Cargo Rack Bracket Installation Instructions

For: Wrangler, 1992 - 1995

Part Number: 41407



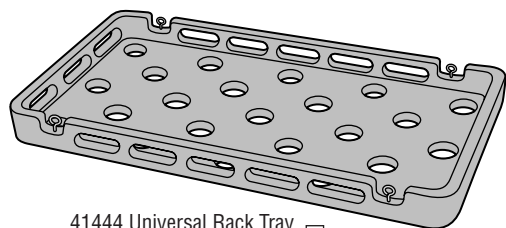
www.bestop.com



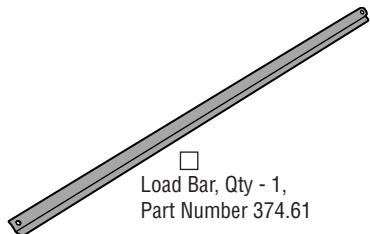
	WARNING
<p>This product is designed to enhance the appearance of the vehicle. Do not rely in any way on the components of this product to contain occupants within the vehicle, or to protect against injury or death in the event of an accident. Never operate vehicle in excess of manufacturer's specifications.</p>	
WEAR SEAT BELTS AT ALL TIMES	
<p>Read and follow, precisely, all installation instructions provided when installing this product. Failure to do so could place occupants of the vehicle in a potentially dangerous situation. After installing or reinstalling, check to make sure it has been properly installed.</p>	

Table of Contents	
UPPER CARGO RACK BRACKET PARTS LIST	PAGE 2
UPPER CARGO RACK BRACKET HARDWARE IDENTIFICATION	PAGE 2
UPPER CARGO RACK BRACKET TOOLS NEEDED	PAGE 2
UPPER CARGO RACK BRACKET INSTALLATION	PAGE 2
UPPER CARGO RACK BRACKET WARRANTY	PAGE 4

Parts List and Hardware Identification

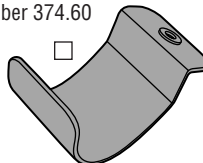


41444 Universal Rack Tray
(Sold Separately), Qty - 1

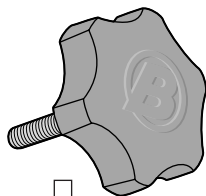
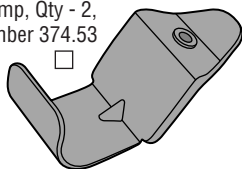


Load Bar, Qty - 1,
Part Number 374.61

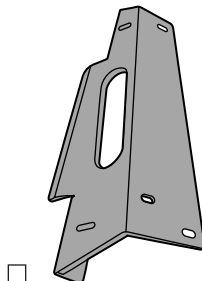
Front Clamp, Qty - 2,
Part Number 374.60



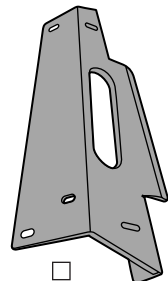
Rear Clamp, Qty - 2,
Part Number 374.53



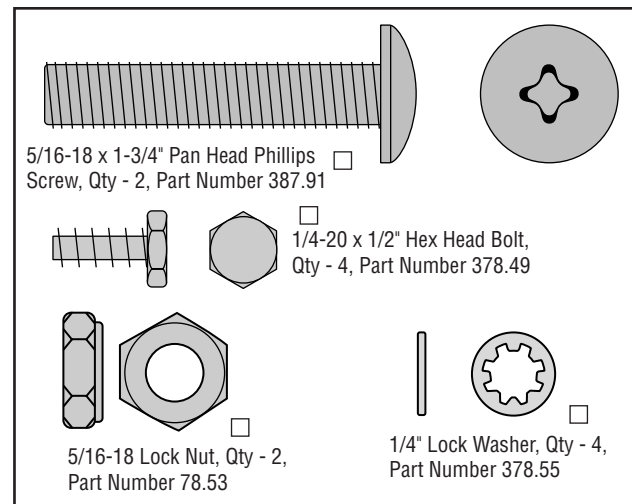
Knob, Qty - 4,
Part Number 374.54



Pillar - Lt., Qty - 1,
Part Number 374.59



Pillar - Rt., Qty - 1,
Part Number 374.58



Tools Needed

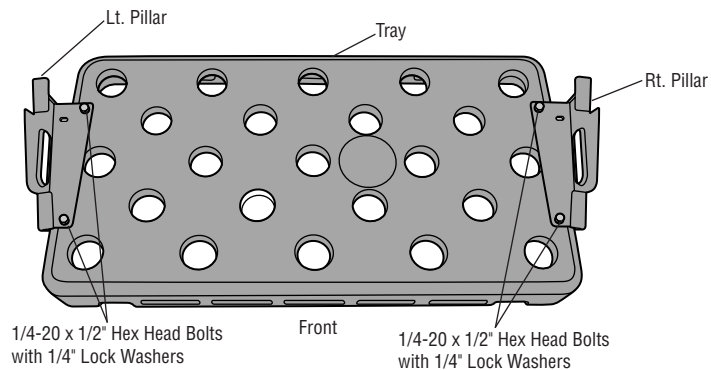
#2 Phillips Screwdriver
7/16" Wrench
1/2" Wrench

Installation

Step One

INSTALL PILLARS ON TRAY

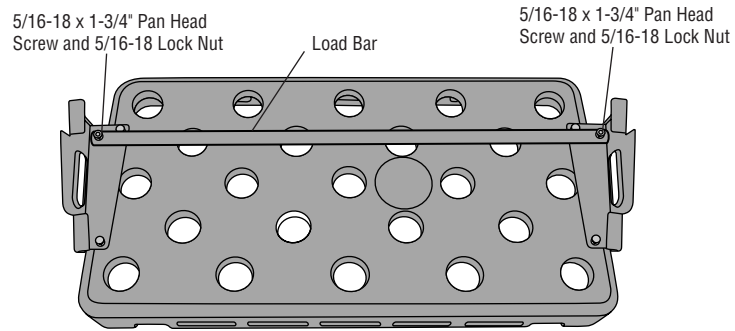
Turn the Tray upside down. Orient the Rt. and Lt. Pillars so that the wide edge is toward the rear of the Tray. Use two 1/4-20 x 1/2" Hex Bolts and two 1/4" Lock Washers to attach each pillar to the Tray. Leave the bolts loose for later adjustment.



Step Two

INSTALL LOAD BAR ON TRAY ASSEMBLY

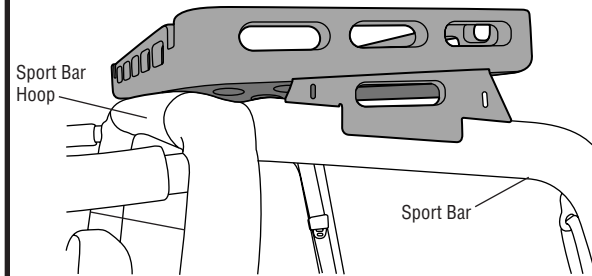
Install the Load Bar on the underside of each Pillar. Use two 5/16-18 x 1-3/4" Pan Head Screws and two 5/16-18 Lock Nuts. Leave the fasteners loose for later adjustment.



Step Three

PLACE TRAY ASSEMBLY ON SPORT BAR

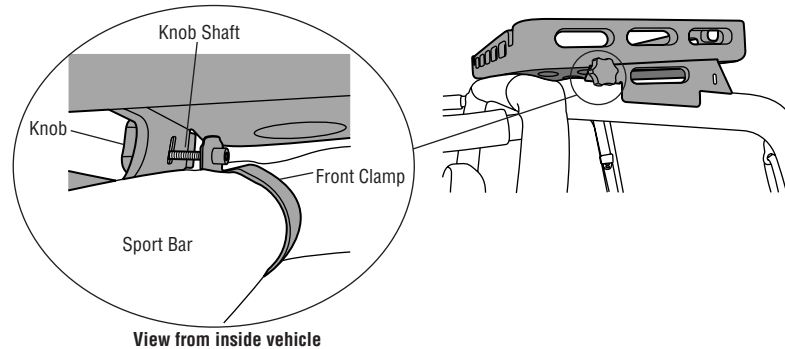
Turn the Tray Assembly right side up and place it on top of the rear Sport Bar. Place the Tray so that the front edge is supported by the Sport Bar Hoop.



Step Four

INSTALL FRONT CLAMPS

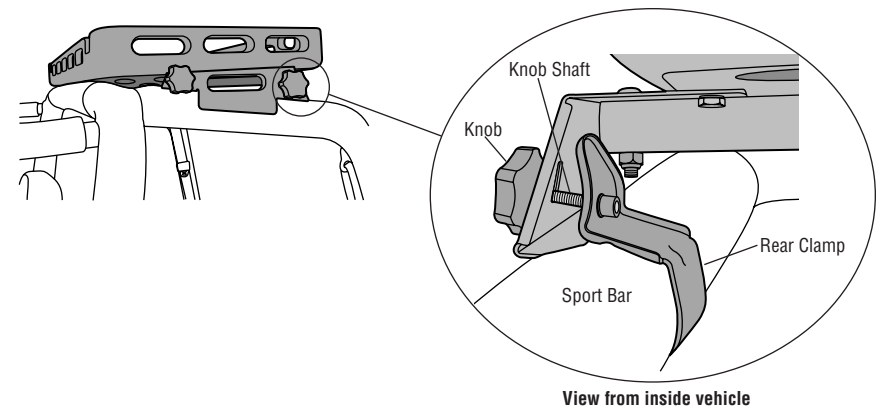
Place a Front Clamp around the Sport Bar behind the front slot in the Pillar. Push the clamp and pillar together and insert the Knob shaft into the front slot in the pillar. Thread the Knob into the clamp to tighten. Repeat this with both Front Clamps.



Step Five

INSTALL REAR CLAMPS

Place a Rear Clamp around the Sport Bar behind the rear slot in the Pillar. Push the clamp and pillar together and insert the Knob shaft into the rear slot in the pillar. Thread the Knob into the clamp to tighten. Repeat this with both Rear Clamps.





Caution

DO NOT overtighten the bolts that attach the Pillars to the Tray. This may strip the aluminum inserts in the Tray.

Step Six

Tighten All Fasteners

Tighten the four bolts that attach the Pillars to the Tray. Fully tighten the screws that attach the Load Bar to the Pillars. Make sure that the Knobs are tight before using the Tray.



Caution

DO NOT load the Tray with more than 100 evenly distributed pounds.

LIMITED WARRANTY

We warrant our product to be free from defects in material and workmanship, for terms specified below, provided there has been normal use and proper maintenance. This warranty applies to the original purchaser only. All remedies under this warranty are limited to the repair or replacement of any item or items found by the factory to be defective within the time period specified.

If you have a warranty claim, first you must call our factory at the number below for instructions. You must retain proof of purchase and submit a copy with any items returned for warranty work. Upon completion of warranty work, if any, we will return the repaired or replaced item or items to you freight prepaid. Damage to our products caused by accidents, fire, vandalism, negligence, misinstallation, misuse, Acts of God, or by defective parts not manufactured by us, is not covered under this warranty.

THE WARRANTY TIME PERIOD IS AS FOLLOWS: ALL "GOODS" MANUFACTURED BY OUR COMPANY: ONE YEAR FROM DATE OF PURCHASE.

ANY IMPLIED WARRANTIES OF MERCHANTABILITY AND/OR FITNESS FOR A PARTICULAR PURPOSE CREATED HEREBY ARE LIMITED IN DURATION TO THE SAME DURATION AND SCOPE AS THE EXPRESS WRITTEN WARRANTY. OUR COMPANY SHALL NOT BE LIABLE FOR ANY INCIDENTAL OR CONSEQUENTIAL DAMAGE.

Some states do not allow limitations on how long an implied warranty lasts, or the exclusion or limitation of incidental or consequential damages, so the above limitations or exclusions may not apply to you.

This warranty gives you specific legal rights, and you may also have other rights which vary from state to state.

For further information, please contact:

Bestop Inc.
Customer Service
(800)845-3567
(303)465-1755

