



EXENDATRUNK™ XL Installation Instructions

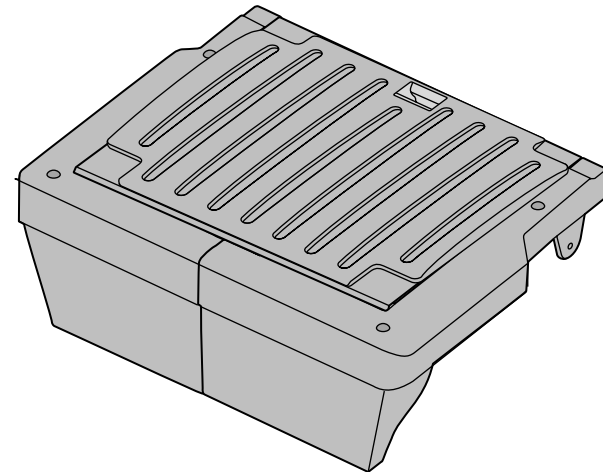


For: Jeep Wranglers 1986 - 1995

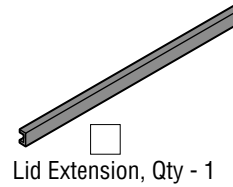
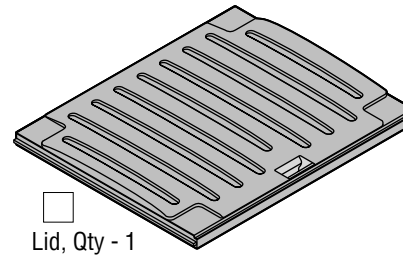
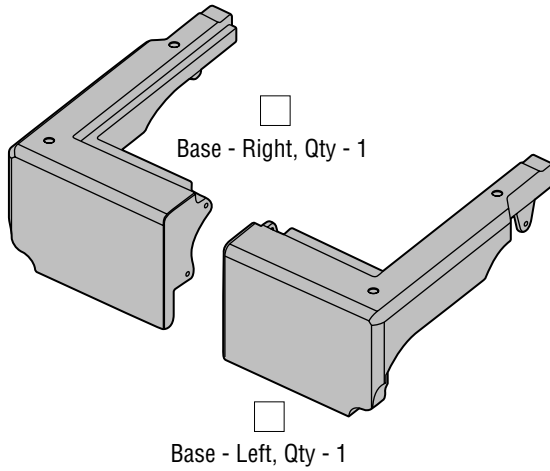
Part Number: 42625

Jeep® is a registered trademark of Chrysler and Bestop is not affiliated with Chrysler Corporation.

	WARNING
<p>This product is designed to enhance the appearance of the vehicle and to shield the occupants from ordinary weather conditions. Do not rely in any way on the components of this product to contain occupants within the vehicle, or to protect against injury or death in the event of an accident. Never operate vehicle in excess of manufacturer's specifications.</p>	
WEAR SEAT BELTS AT ALL TIMES	
<p>Read and follow, precisely, all installation instructions provided when installing this product. Failure to do so could place occupants of the vehicle in a potentially dangerous situation. After installing or reinstalling, check to make sure it has been properly installed.</p>	



Parts List and Hardware Identification



2-1/2" Bolts,	Qty - 2
1-1/2" Washers,	Qty - 12
Locknuts,	Qty - 2
Self Tapping Screws,	Qty - 4
1/2" Spacers,	Qty - 4
Plastic Caps	Qty - 4

Tools Needed

5/16" Socket
 7/16" Socket
 5/32" Allen Wrench
 Safety Glasses



Caution

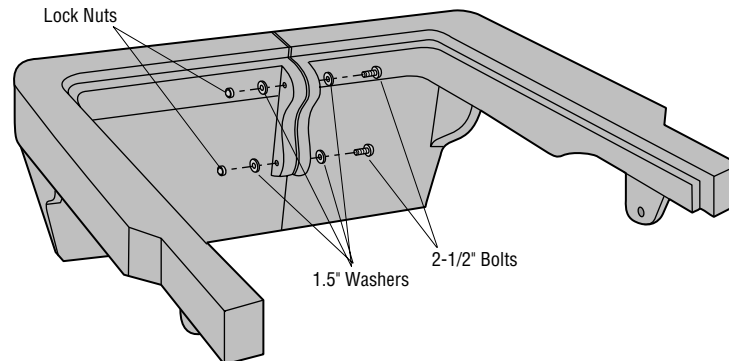
Safety glasses should be worn at all times while installing this product.

Installation

Step One

ASSEMBLE BASE UNIT

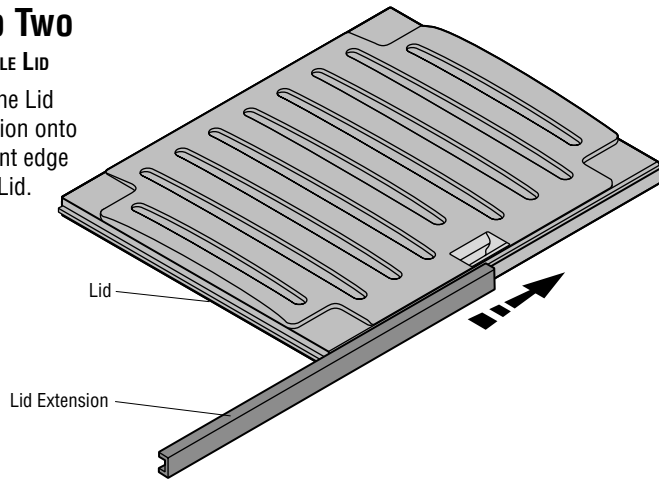
Place the Base Unit Halves together. Align the holes and install two 2-1/2" Bolts, four 1-1/2" Washers and two Lock Nuts.



Step Two

ASSEMBLE LID

Slide the Lid Extension onto the front edge of the Lid.



Step Three

Check EXTENDATRUNK™ Alignment

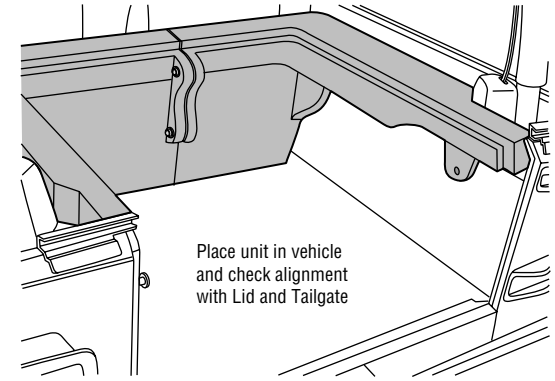
Open the tailgate of the vehicle and remove the rear seat.

Align the ridges on the sides of the Lid with the channels in the Base and slide the Lid into the Base.

Place the EXTENDATRUNK™ in the vehicle so that it fits snugly between the wheel wells with the top level with the top of the wheel wells and with the notches around the plastic seat belt covers.

Check the alignment of the base with the Lid to see if spacers will be necessary in the rear holes to make the Lid fit properly along the rear edge.

Close the tailgate to make sure that the Lid seals against the tailgate.



Caution

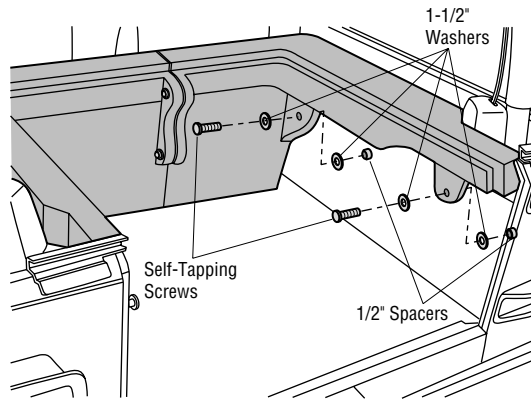
Do not drill into the floor of your vehicle. The EXTENDATRUNK™ must be securely installed in the vehicle during vehicle operation.

Step Four

Install EXTENDATRUNK™.

Once the proper position of the EXTENDATRUNK™ has been determined, remove the Lid.

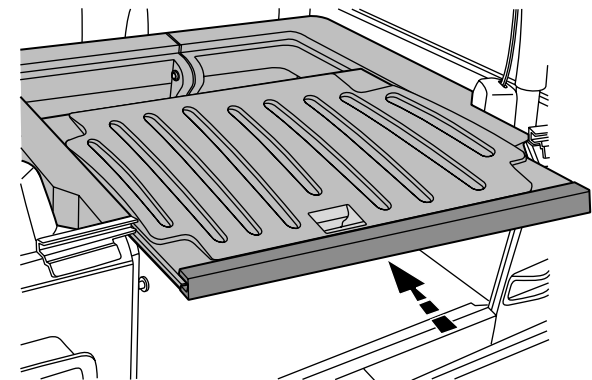
Locate the four pre-drilled holes in the EXTENDATRUNK™. Install a Self-Tapping Screw and 1-1/2" Washer at each location. Use the spacers and extra washers as needed based on the alignment checks in Step Three.



Step Five

INSTALL LID INTO BASE

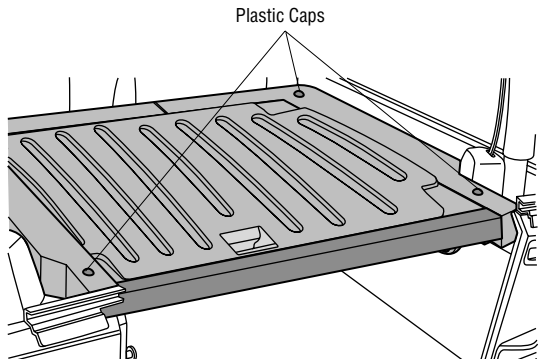
Align the ridges on the sides of the Lid with the channels in the Base and slide the Lid into the Base.



Step Six

INSTALL PLASTIC CAPS

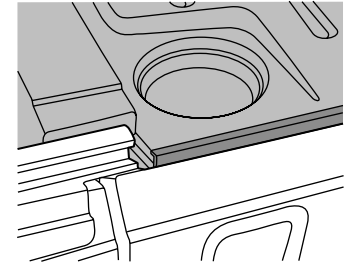
Place the four Plastic Caps from the parts kit into the holes in the top of the Base.



Step Seven

LOCK EXTENDATRUNK™ XL

To secure items in the EXTENDATRUNK™ XL, close the tailgate firmly against the Lid Extension and lock it.



LIMITED WARRANTY

We warrant our product to be free from defects in material and workmanship, for terms specified below, provided there has been normal use and proper maintenance. This warranty applies to the original purchaser only. All remedies under this warranty are limited to the repair or replacement of any item or items found by the factory to be defective within the time period specified.

If you have a warranty claim, first you must call our factory at the number below for instructions. You must retain proof of purchase and submit a copy with any items returned for warranty work. Upon completion of warranty work, if any, we will return the repaired or replaced item or items to you freight prepaid. Damage to our products caused by accidents, fire, vandalism, negligence, misinstallation, misuse, Acts of God, or by defective parts not manufactured by us, is not covered under this warranty.

THE WARRANTY TIME PERIOD IS AS FOLLOWS: ALL "SOFT GOODS" MANUFACTURED BY OUR COMPANY (USING PRIMARILY VINYL, PLASTICS, AND/OR FOAM): ONE YEAR FROM DATE OF PURCHASE.

ANY IMPLIED WARRANTIES OF MERCHANTABILITY AND/OR FITNESS FOR A PARTICULAR PURPOSE CREATED HEREBY ARE LIMITED IN DURATION TO THE SAME DURATION AND SCOPE AS THE EXPRESS WRITTEN WARRANTY. OUR COMPANY SHALL NOT BE LIABLE FOR ANY INCIDENTAL OR CONSEQUENTIAL DAMAGE.

Some states do not allow limitations on how long an implied warranty lasts, or the exclusion or limitation of incidental or consequential damages, so the above limitations or exclusions may not apply to you.

This warranty gives you specific legal rights, and you may also have other rights which vary from state to state.

For further information or request for warranty work, please contact:

Bestop Inc.
Customer Service
(800)346-3910
(303)465-1755