



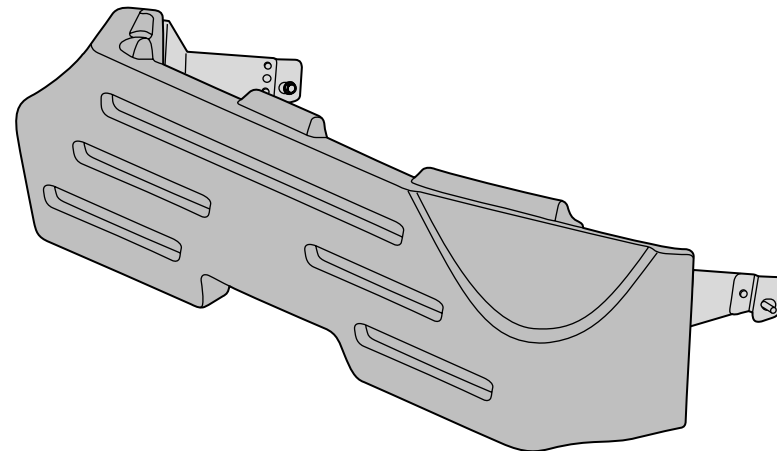
# Underseat Storage Unit Installation Instructions



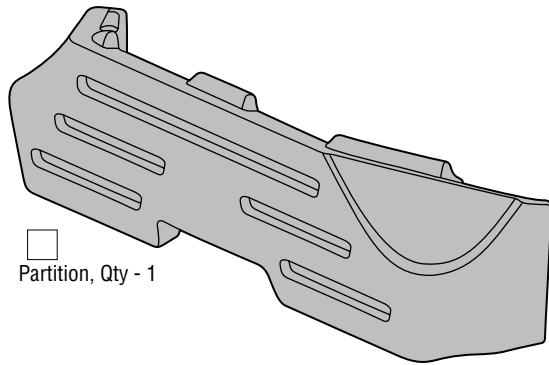
**For: Dodge Ram Quad Cab 1998 - 2001**

**Part Number: 42660**

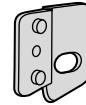
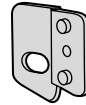
	<b>WARNING</b>
<p>This product is designed to enhance the appearance of the vehicle and to shield the occupants from ordinary weather conditions. Do not rely in any way on the components of this product to contain occupants within the vehicle, or to protect against injury or death in the event of an accident. Never operate vehicle in excess of manufacturer's specifications.</p>	
<b>WEAR SEAT BELTS AT ALL TIMES</b>	
<p>Read and follow, precisely, all installation instructions provided when installing this product. Failure to do so could place occupants of the vehicle in a potentially dangerous situation. After installing or reinstalling, check to make sure it has been properly installed.</p>	



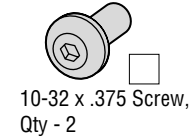
## Parts List and Hardware Identification



Anchor Bracket - Driver Side, Qty - 1

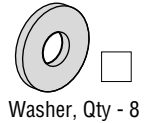
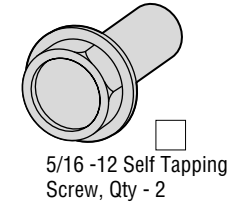
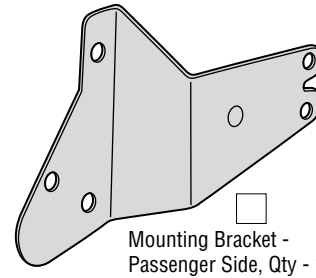
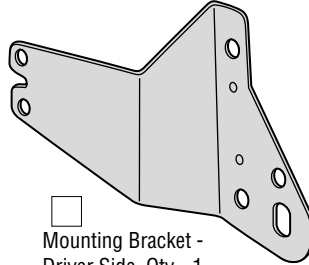


Anchor Bracket - Passenger Side, Qty - 1



### Tools Needed

Flat Screwdriver  
Phillips Screwdriver  
Pliers  
Adjustable Wrench  
1/8" Allen Wrench



## Installation

### Step One

#### Vehicle Preparation.

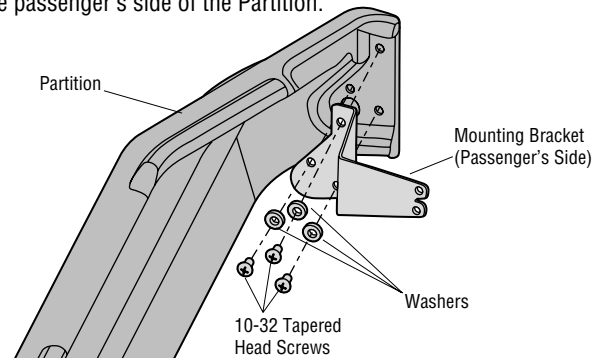
Use the handle under the rear seat to release the seat and flip it up.

Locate the plastic Christmas Tree Clip in the brace on each side of the seat base. Use a flat screwdriver to pry up the clips and remove them with pliers.

### Step Two

#### Attach Passenger Side Mounting Bracket to Partition.

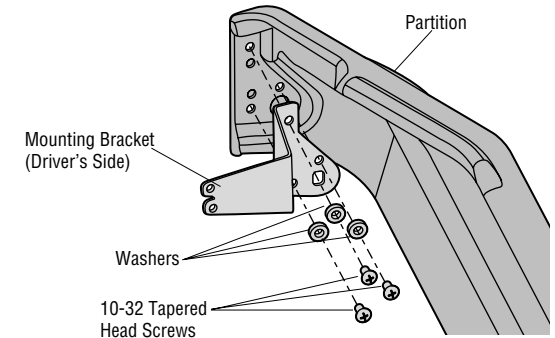
Locate the Passenger's Side Mounting Bracket in the Parts Kit. Use three 10-32 Tapered Head Screws and three Washers to install it on the passenger's side of the Partition.



### Step Three

#### Attach Driver's Side Mounting Bracket to Partition.

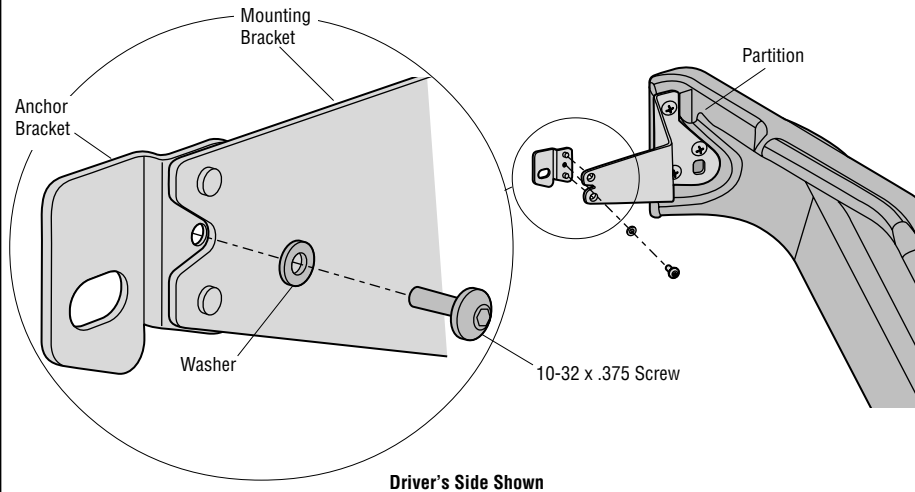
Locate the Driver's Side Mounting Bracket in the Parts Kit. Use three 10-32 Tapered Head Screws and three Washers to install it on the driver's side of the Partition.



## Step Four

### Attach Anchor Brackets to Partition.

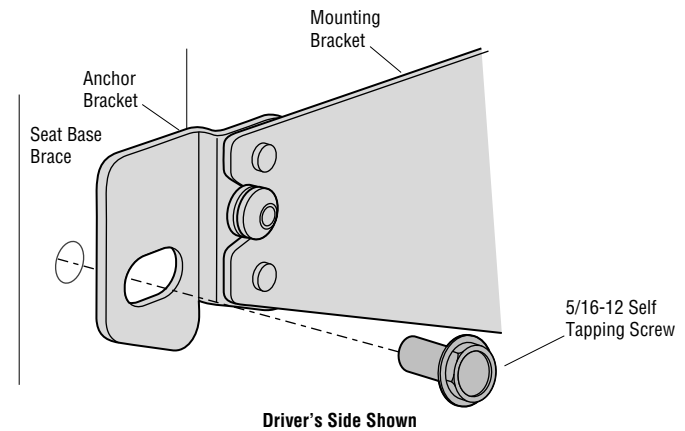
Locate the Passenger and Driver Side Anchor Brackets in the Parts Kit. Orient the brackets with the pins toward the inside of the vehicle. Use a 10-32 x .375 Screw and a Washer to secure the Mounting Bracket to the Anchor Bracket on each side of the Partition.



## Step Five

### Install Partition Assembly in vehicle.

Place the Partition Assembly in the vehicle. Align the holes in the Anchor Brackets with the holes in the seat base braces where you removed the Christmas Tree Clips on each side of the vehicle. Install a 5/16-12 Self Tapping Screw on each side of the vehicle.



## LIMITED WARRANTY

We warrant our product to be free from defects in material and workmanship, for terms specified below, provided there has been normal use and proper maintenance. This warranty applies to the original purchaser only. All remedies under this warranty are limited to the repair or replacement of any item or items found by the factory to be defective within the time period specified.

If you have a warranty claim, first you must call our factory at the number below for instructions. You must retain proof of purchase and submit a copy with any items returned for warranty work. Upon completion of warranty work, if any, we will return the repaired or replaced item or items to you freight prepaid. Damage to our products caused by accidents, fire, vandalism, negligence, misinstallation, misuse, Acts of God, or by defective parts not manufactured by us, is not covered under this warranty.

THE WARRANTY TIME PERIOD IS AS FOLLOWS: ALL "HARD GOODS" MANUFACTURED BY OUR COMPANY (USING PRIMARILY VINYL, PLASTICS, AND/OR FOAM): ONE YEAR FROM DATE OF PURCHASE.

ANY IMPLIED WARRANTIES OF MERCHANTABILITY AND/OR FITNESS FOR A PARTICULAR PURPOSE CREATED HEREBY ARE LIMITED IN DURATION TO THE SAME DURATION AND SCOPE AS THE EXPRESS WRITTEN WARRANTY. OUR COMPANY SHALL NOT BE LIABLE FOR ANY INCIDENTAL OR CONSEQUENTIAL DAMAGE.

Some states do not allow limitations on how long an implied warranty lasts, or the exclusion or limitation of incidental or consequential damages, so the above limitations or exclusions may not apply to you.

This warranty gives you specific legal rights, and you may also have other rights which vary from state to state.

For further information or request for warranty work, please contact:

Bestop Inc.  
Customer Service  
(800)346-3910  
(303)465-1755