



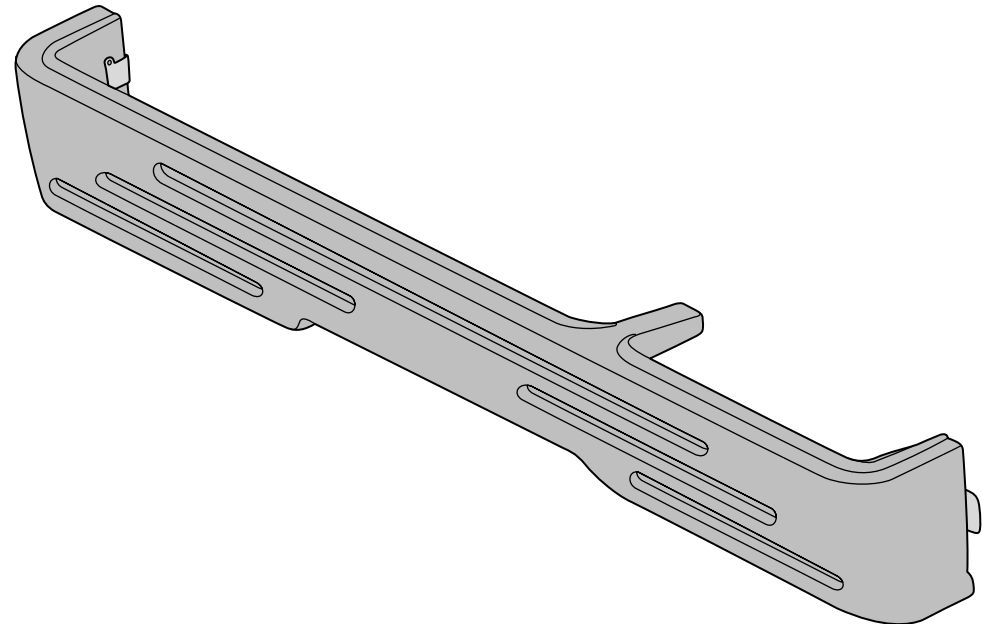
# Underseat Storage Unit Installation Instructions



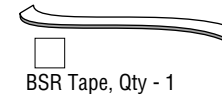
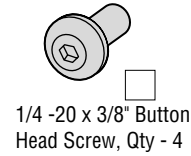
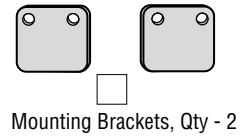
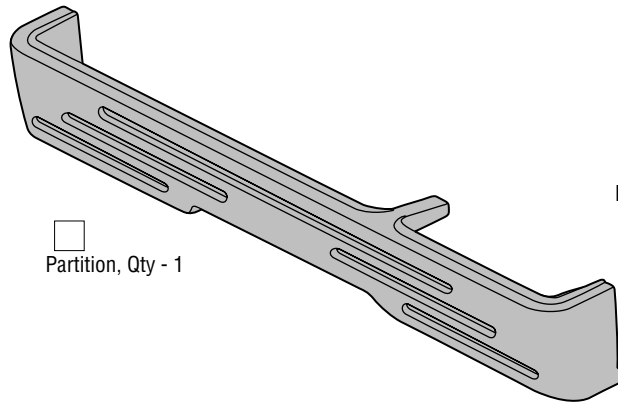
**For: Ford Extended Cab**

**Part Number: 42680**

	<b>WARNING</b>
<p>This product is designed to enhance the appearance of the vehicle and to shield the occupants from ordinary weather conditions. Do not rely in any way on the components of this product to contain occupants within the vehicle, or to protect against injury or death in the event of an accident. Never operate vehicle in excess of manufacturer's specifications.</p>	
<b>WEAR SEAT BELTS AT ALL TIMES</b>	
<p>Read and follow, precisely, all installation instructions provided when installing this product. Failure to do so could place occupants of the vehicle in a potentially dangerous situation. After installing or reinstalling, check to make sure it has been properly installed.</p>	



## Parts List and Hardware Identification



### Tools Needed

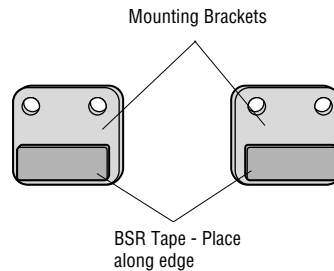
1/8" Allen Wrench

## Installation

### Step One

#### Install BSR Tape on Mounting Brackets

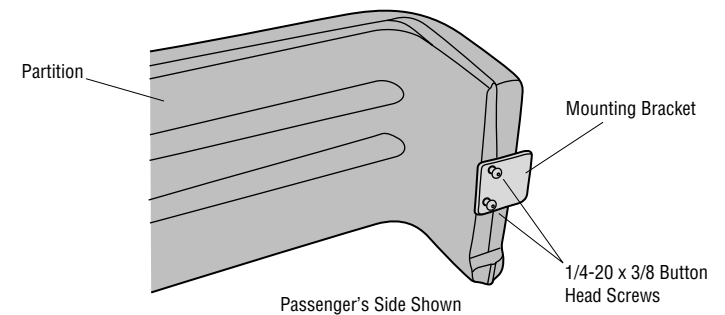
Locate the Mounting Brackets in the Parts Kit. The BSR Tape will be installed along the edge of each bracket. Cut the tape to the desired length for each bracket. Peel the protective tape off the back of the strip and press the self-adhesive side of the BSR Tape onto each bracket.



### Step Two

#### Attach Mounting Brackets to Partition.

Locate the Mounting Brackets in the Parts Kit. Place a bracket on each side of the Partition so that the two holes near the bend in the bracket line up with the holes in the Partition and with the flared part of the bracket along the inside. Use two 1/4-20 x 3/8" Button Head Screws to install each bracket. Do not tighten the screws at this time.



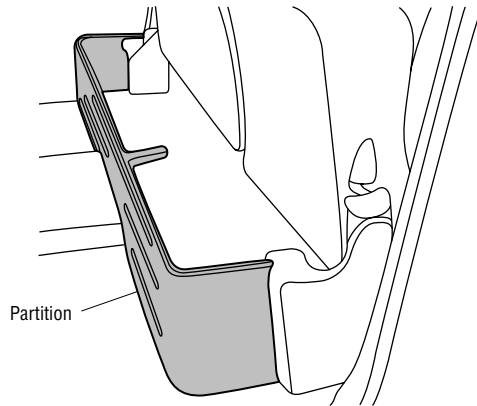
### Step Three

#### Install Partition Assembly in vehicle.

Raise the rear seat.

Place the Partition Assembly in the vehicle so that the brackets catch on the seat bases on each side of the vehicle.

Tighten the screws in the Mounting Brackets.



---

### LIMITED WARRANTY

We warrant our product to be free from defects in material and workmanship, for terms specified below, provided there has been normal use and proper maintenance. This warranty applies to the original purchaser only. All remedies under this warranty are limited to the repair or replacement of any item or items found by the factory to be defective within the time period specified.

If you have a warranty claim, first you must call our factory at the number below for instructions. You must retain proof of purchase and submit a copy with any items returned for warranty work. Upon completion of warranty work, if any, we will return the repaired or replaced item or items to you freight prepaid. Damage to our products caused by accidents, fire, vandalism, negligence, misinstallation, misuse, Acts of God, or by defective parts not manufactured by us, is not covered under this warranty.

THE WARRANTY TIME PERIOD IS AS FOLLOWS: ALL "HARD GOODS" MANUFACTURED BY OUR COMPANY (USING PRIMARILY VINYL, PLASTICS, AND/OR FOAM): ONE YEAR FROM DATE OF PURCHASE.

ANY IMPLIED WARRANTIES OF MERCHANTABILITY AND/OR FITNESS FOR A PARTICULAR PURPOSE CREATED HEREBY ARE LIMITED IN DURATION TO THE SAME DURATION AND SCOPE AS THE EXPRESS WRITTEN WARRANTY. OUR COMPANY SHALL NOT BE LIABLE FOR ANY INCIDENTAL OR CONSEQUENTIAL DAMAGE.

Some states do not allow limitations on how long an implied warranty lasts, or the exclusion or limitation of incidental or consequential damages, so the above limitations or exclusions may not apply to you.

This warranty gives you specific legal rights, and you may also have other rights which vary from state to state.

For further information or request for warranty work, please contact:

Bestop Inc.  
Customer Service  
(800)346-3910  
(303)465-1755