





# Installation Instructions

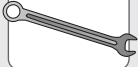

## HighRock 4x4™ SlideAway™ Tray Bracket Kit

Vehicle Application: 1997 - Current Jeep® Wrangler and Wrangler Unlimited

•HighRock 4x4™ SlideAway™ Tray Bracket Kit  
Part Number: 42907

[www.Bestop.com](http://www.Bestop.com) - We're here to help! Visit our web site and click on "[Ask a Question](#)". Click here for more [Jeep® Accessories by Bestop](#).

INSTALLATION TIME	SKILL LEVEL
 1/2 Hours	 2 - Moderately Easy

TOOLS	
 Wrench 7/16"	 Safety Glasses



SlideAway™ shown with Universal Tray (sold separately)

**Load Capacity is 50 lbs. maximum, evenly distributed.**

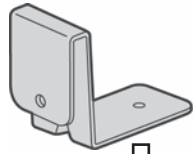
**⚠ WARNING** Do not rely in any way on the components of this product to protect against injury or death in the event of an accident. Never operate the vehicle in excess of manufacturer's specifications.

**WEAR SEAT BELTS AT ALL TIMES**

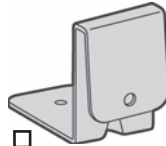
Read and follow, precisely, all installation instructions provided when installing product. Failure to do so may result in a poor fit and could place occupants of the vehicle in a potentially dangerous situation.

# HighRock 4x4™ SlideAway™ Tray Bracket Kit Installation Instructions

## Parts List and Hardware Identification

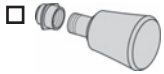


Right Tray Bracket, Part Number 412.02, Qty - 2



Left Tray Bracket, Part Number 412.01, Qty - 2

Threaded Collar, Part Number 394.31, Qty - 2



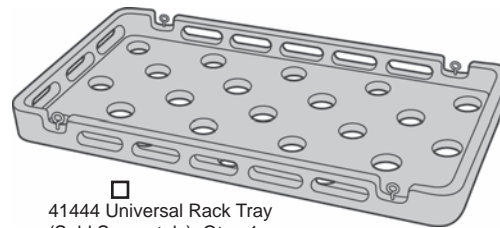
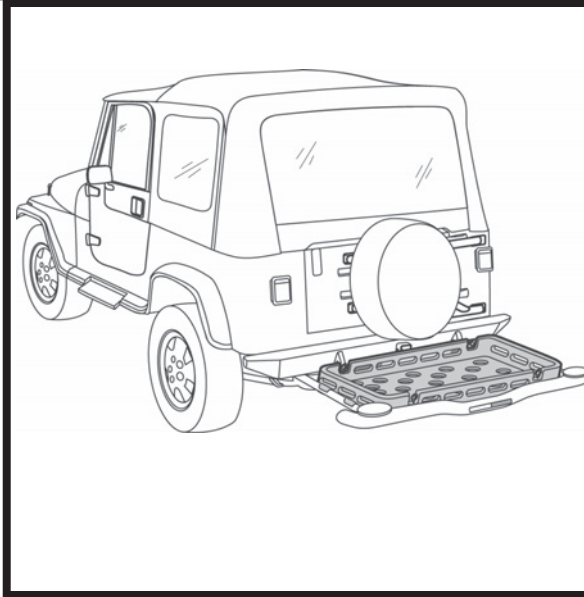
Spring Plunger, Part Number 400.21, Qty - 2



Star Washer, Part Number 151.80, Qty - 4



1/4-20 x .5 Hex Bolt, Part Number 116.64, Qty - 4

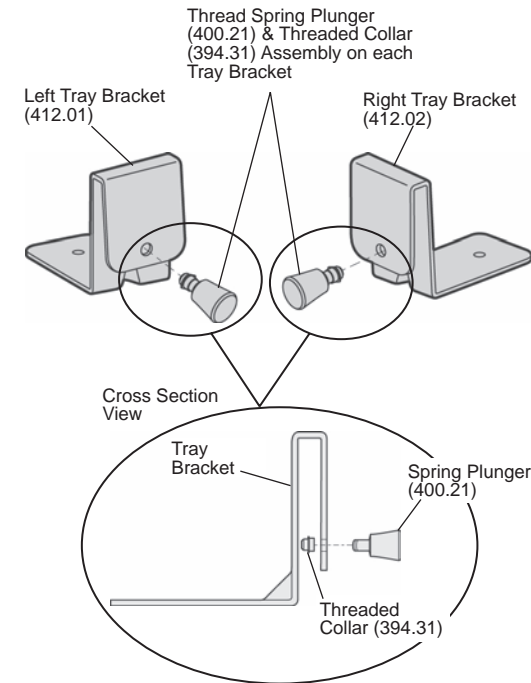


41444 Universal Rack Tray (Sold Separately), Qty - 1

## 1 Install Plunger on Tray Brackets

Locate one each Right and Left Tray Bracket (412.02 and 412.01) and the Spring Plunger (400.21) & Threaded Collar (394.31) Assemblies. Unscrew the Plunger from the Collar of one of the Assemblies. Place the Collar as shown below and thread the Plunger through the hole in the bracket and into the Collar.

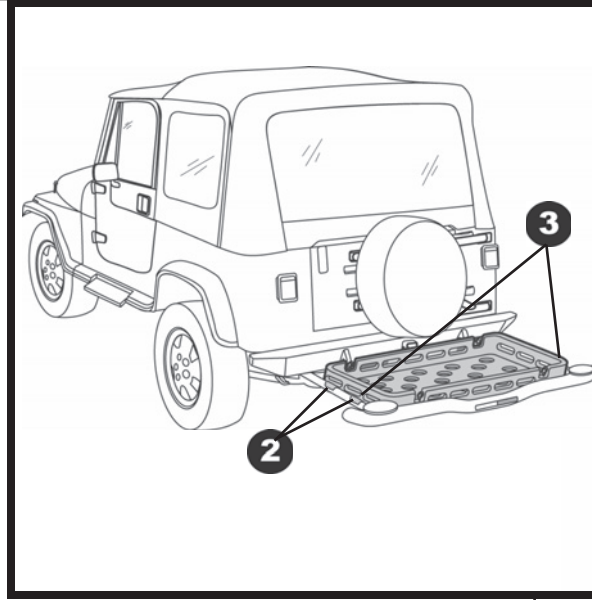
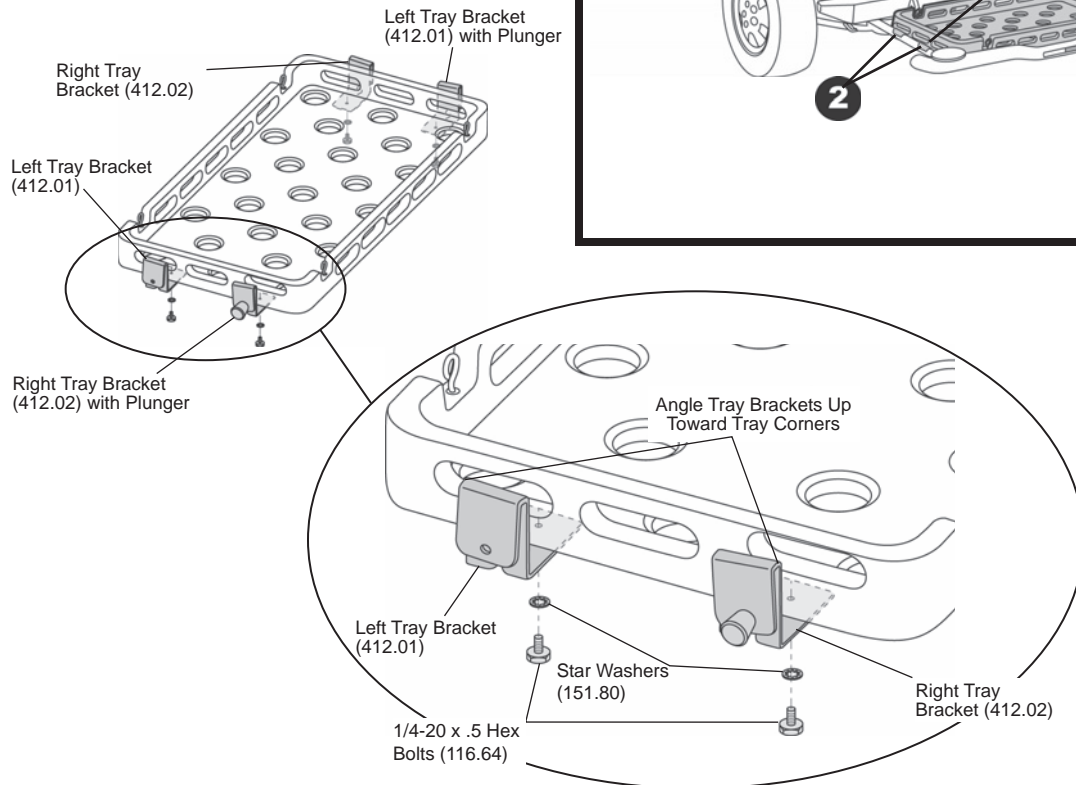
Repeat this with the other bracket. These brackets will be installed opposite each other on the Tray.



# HighRock 4x4™ SlideAway™ Tray Bracket Kit Installation Instructions

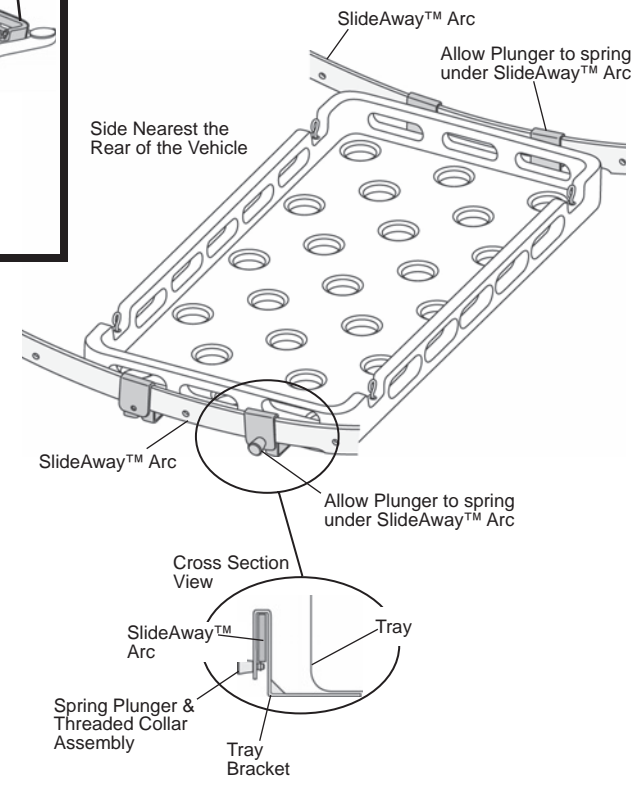
## 2 Install Tray Brackets on Tray

Install one each of the Right and Left Tray Brackets (412.02 and 412.01) on each side of the Tray. The brackets with the Spring Plunger & Threaded Collar Assemblies should be opposite each other. Make sure that the angle on each bracket is up toward the nearest corner of the Tray. Use a 1/4-20 x .5 Hex Bolt (116.84) and a Star Washer (151.80) to install each bracket to the Tray.



## 3 Install Tray on SlideAway™

Place the Tray Assembly onto the SlideAway™ Arcs. Pull the plungers on the Spring Plunger & Threaded Collar Assemblies out to position the tray. The Tray should be as parallel to the ground as possible. Once the Tray Assembly is in position, release the plungers and allow them to spring out under the SlideAway™ Arcs to secure the Tray to the SlideAway™.



# HighRock 4x4™ SlideAway™ Tray Bracket Kit Installation Instructions

---

## Limited Warranty

We warrant our product to be free from defects in material and workmanship, for the terms specified below, provided there has been normal use and proper maintenance. This warranty applies to the original purchaser only. All remedies under this warranty are limited to the repair or replacement of any item or items found by the factory to be defective within the time period specified.

If you have a warranty claim, first you must call our factory at the number below for instructions. You must retain proof of purchase and submit a copy with any items returned for warranty work. Upon completion of warranty work, if any, we will return the repaired or replaced item or items to you freight prepaid. Damage to our products caused by accidents, fire, vandalism, negligence, misinstallation, misuse, Acts of God, or by defective parts not manufactured by us, is not covered under this warranty.

THE WARRANTY TIME PERIOD IS AS FOLLOWS: ALL "PRODUCTS" MANUFACTURED BY OUR COMPANY: ONE YEAR FROM DATE OF PURCHASE.

ANY IMPLIED WARRANTIES OF MERCHANTABILITY AND/OR FITNESS FOR A PARTICULAR PURPOSE CREATED HEREBY ARE LIMITED IN DURATION TO THE SAME DURATION AND SCOPE AS THE EXPRESS WRITTEN WARRANTY. OUR COMPANY SHALL NOT BE LIABLE FOR ANY INCIDENTAL OR CONSEQUENTIAL DAMAGE.

Some states do not allow limitations on how long an implied warranty lasts, or the exclusion or limitation of incidental or consequential damages, so the above limitations or exclusions may not apply to you.

This warranty gives you specific legal rights, and you may also have other rights which vary from state to state.



For further information or request for warranty work, please contact:  
Bestop Inc. Customer Service  
(800) 845-3567  
(303) 465-1755