



BESTOP

Console

Installation Instructions

For: *CJ5 (1976 - 1983), CJ7, CJ8 and Wrangler*

Part Number: 81507

Ford Bronco (1966 - 1977)

WARNING

This product is designed primarily to enhance the appearance of the vehicle and to shield the occupants from ordinary weather conditions. Do not rely in any way on the components of this product to contain occupants within the vehicle, or to protect against injury or death in the event of an accident. This product will not protect the occupants from falling objects. Never operate vehicle in excess of manufacturer's specifications.

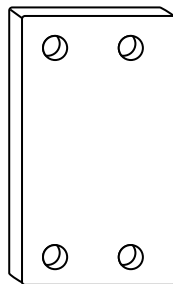
WEAR SEAT BELTS AT ALL TIMES

Read and follow, precisely, all installation instructions provided when installing the soft top. Failure to do so may result in a poor fitting canopy and could place occupants of the vehicle in a potentially dangerous situation.

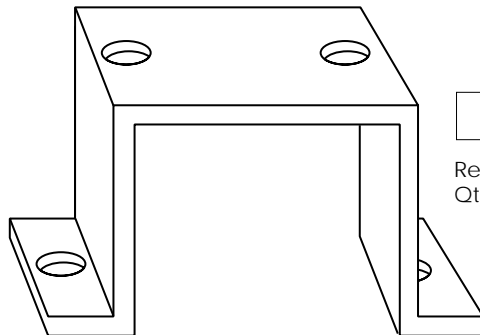
Parts List and Hardware Identification

Console Box Qty - 1

Front Mounting Bracket, Qty - 1

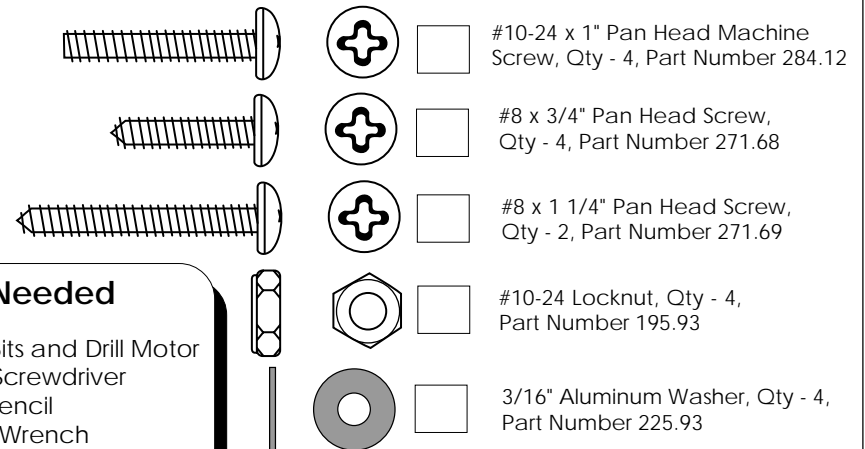


Rear Mounting Bracket, Qty - 1



Tools Needed

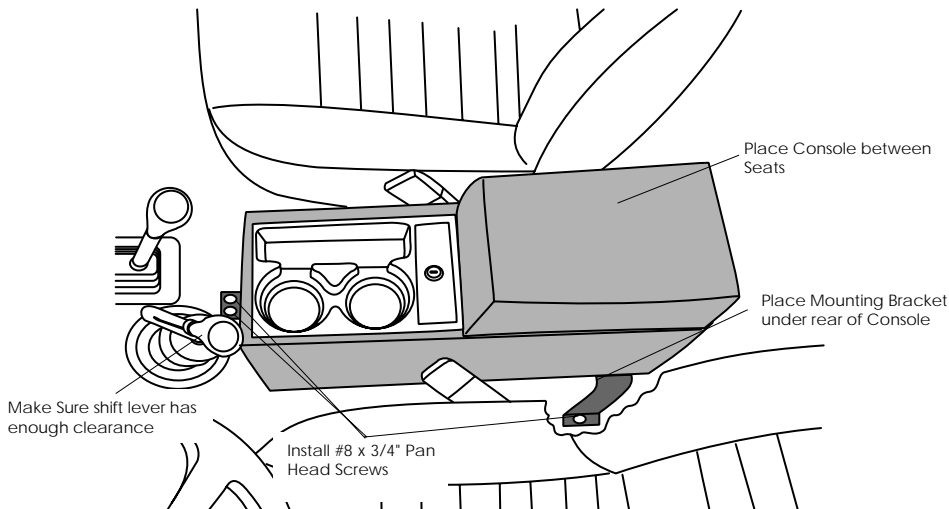
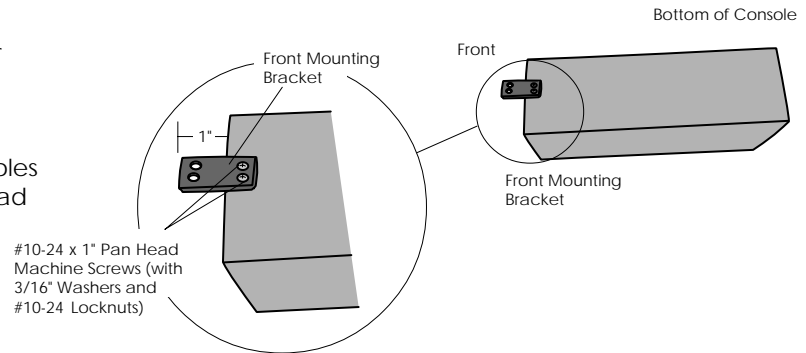
1/8", 7/32" Drill Bits and Drill Motor
Phillips Screwdriver
Pencil
3/8" Wrench
Awl



CJ7, CJ8 and Wrangler Vehicles

Step One

Mount the Front Mounting Bracket to the bottom of the Console. Center the bracket under the bottom front of the Console with the end of the bracket extending 1" past the end of the Console. Use the holes in the bracket as a template to mark, center punch and drill two 7/32" holes through the base of the Console. Use an awl to punch corresponding holes through the carpet and secure the bracket with two #10-24 x 1" Pan Head Machine Screws, two 3/16" Washers and two #10-24 Locknuts.



Step Two

Place the Console between the seats. Slip the Rear Mounting Bracket under the rear of the Console, with the legs on the floor. Adjust the console forward or back to make sure that there is enough clearance for the gear shift lever to reach all gears. When the proper position for the Console is established, mark the location of the Rear Mounting Bracket on the bottom of the Console with a pencil. Remove the Console from the vehicle. Use the Rear Mounting Bracket as a template to mark, center punch and drill two 7/32" holes through the bottom of the console. Use an awl to punch the holes through the carpet and secure the bracket with two #10-24 x 1" Pan Head Machine Screws, two 3/16" Washers and two #10-24 Locknuts.

Warning: Check for wiring and fuel lines before drilling holes in floor.

Note: For best results, after drilling the holes for the Mounting Bracket in the floor of the vehicle, lift up the Console and put a little silicone sealer on the holes in the floor.

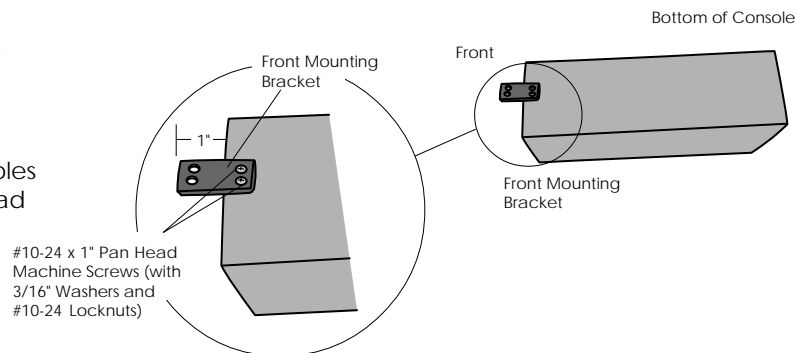
Step Three

Replace the Console between the seats, making sure that there is clearance for the gear shift lever. Use the Mounting Brackets as guides and drill four 1/8" holes in the floor board of the vehicle. Mount the Console to the floor using the four #8 x 3/4" Pan Head Screws.

CJ5 (1976 - 1983) and Ford Bronco (1966 - 1977) Vehicles

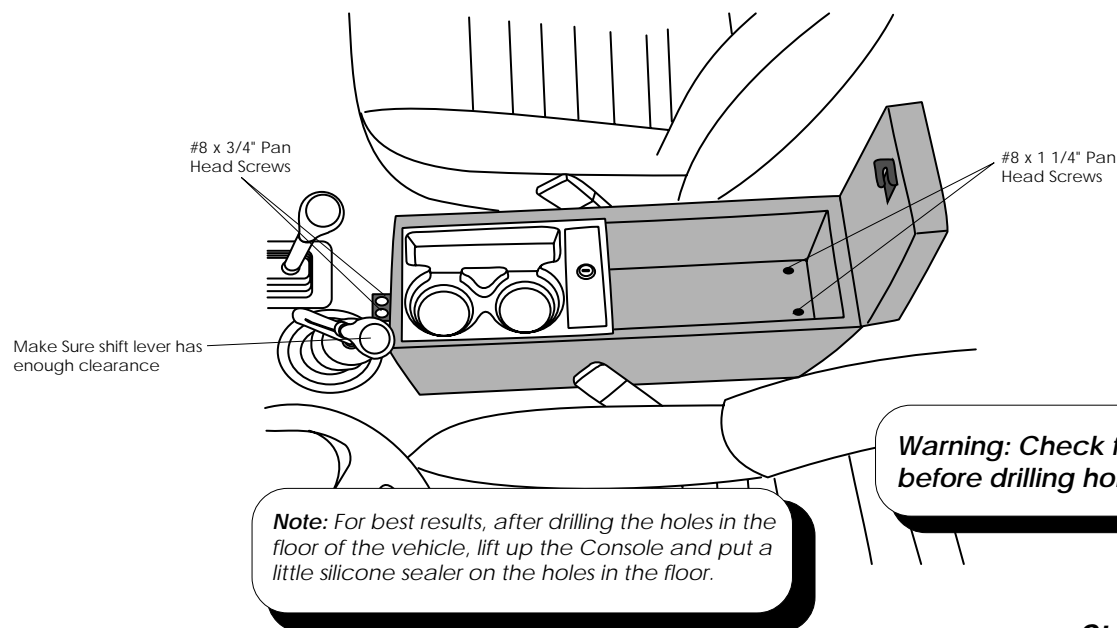
Step One

Mount the Front Mounting Bracket to the bottom of the Console. Center the bracket under the bottom front of the Console with the end of the bracket extending 1" past the end of the Console. Use the holes in the bracket as a template to mark, center punch and drill two 7/32" holes through the base of the Console. Use an awl to punch corresponding holes through the carpet and secure the bracket with two #10-24 x 1" Pan Head Machine Screws, two 3/16" Washers and two #10-24 Locknuts.



Step Two

Place the Console between the seats. Adjust the console forward or back to make sure that there is enough clearance for the gear shift lever to reach all gears. Use the Front Mounting Bracket as a template to mark, center punch and drill two 1/8" holes in the floor. Secure the front of the Console to the floor using two #8 x 3/4" Pan Head Screws.



Step Four

Open the Console and drill two 1/8" holes in the rear of the Console and through the floor board. Mount the rear of the Console to the floor using the two #8 x 1 1/4" Pan Head Screws and two 3/16" Washers.

LIMITED WARRANTY

We warrant our product to be free from defects in material and workmanship, for the terms specified below, provided there has been normal use and proper maintenance. This warranty applies to the original purchaser only. All remedies under this warranty are limited to the repair or replacement of any item or items found by the factory to be defective within the time period specified.

If you have a warranty claim, first you must call our factory at the number below for instructions. You must retain proof of purchase and submit a copy with any items returned for warranty work. Upon completion of warranty work, if any, we will return the repaired or replaced item or items to you freight prepaid. Damage to our products caused by accidents, fire, vandalism, negligence, misinstallation, misuse, Acts of God, or by defective parts not manufactured by us, is not covered under this warranty.

THE WARRANTY TIME PERIOD IS AS FOLLOWS: ALL "SOFT GOODS" MANUFACTURED BY OUR COMPANY (USING PRIMARILY VINYL, PLASTICS, AND/OR FOAM): ONE YEAR FROM DATE OF PURCHASE.

ANY IMPLIED WARRANTIES OF MERCHANTABILITY AND/OR FITNESS FOR A PARTICULAR PURPOSE CREATED HEREBY ARE LIMITED IN DURATION TO THE SAME DURATION AND SCOPE AS THE EXPRESS WRITTEN WARRANTY. OUR COMPANY SHALL NOT BE LIABLE FOR ANY INCIDENTAL OR CONSEQUENTIAL DAMAGE.

Some states do not allow limitations on how long an implied warranty lasts, or the exclusion or limitation of incidental or consequential damages, so the above limitations or exclusions may not apply to you.

This warranty gives you specific legal rights, and you may also have other rights which vary from state to state.

For further information or request for warranty work, please contact:

Bestop Inc.
Customer Service
(800)346-3910
(303)465-1755

