



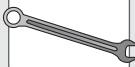



# Installation Instructions Tailgate Rack Bracket


## Application:


- Jeep Wrangler and Wrangler Unlimited  
2007 – Current  
Part Number: 41412

[www.Bestop.com](http://www.Bestop.com) - We're here to help! Visit our web site and click on "[Ask a Question](#)". Click here for more [Jeep Accessories by Bestop](#).

INSTALLATION TIME	SKILL LEVEL
 <b>45 Minutes</b>	 <b>2 - Moderately Easy</b>
TOOLS	
 Wrench 13mm, 7/16", 1/2"	 Safety Glasses



 **CAUTION** Safety glasses should be worn at all times while installing this product.

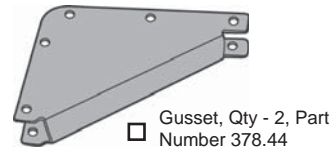
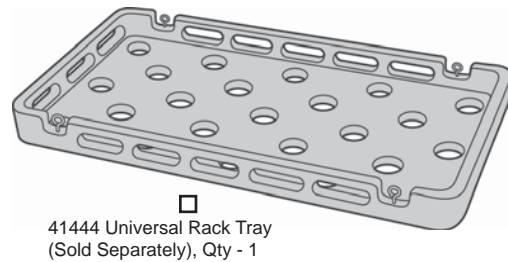
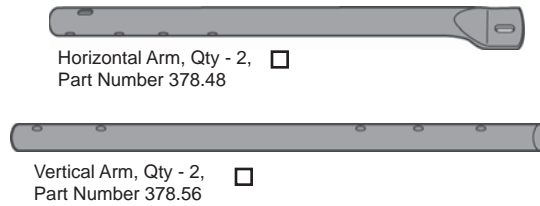
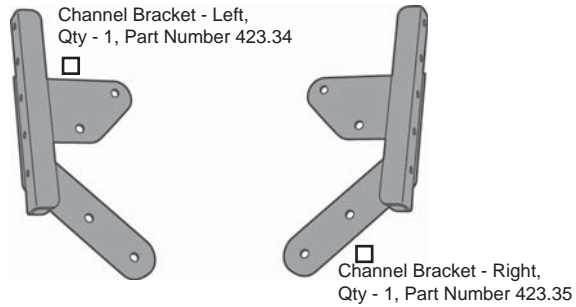
 **WARNING** This product is designed primarily to enhance the appearance of the vehicle and to shield the occupants from ordinary weather conditions. Do not rely in any way on the components of this product to contain occupants within the vehicle, or to protect against injury or death in the event of an accident. This product will not protect the occupants from falling objects. Never operate the vehicle in excess of manufacturer's specifications.

### WEAR SEAT BELTS AT ALL TIMES

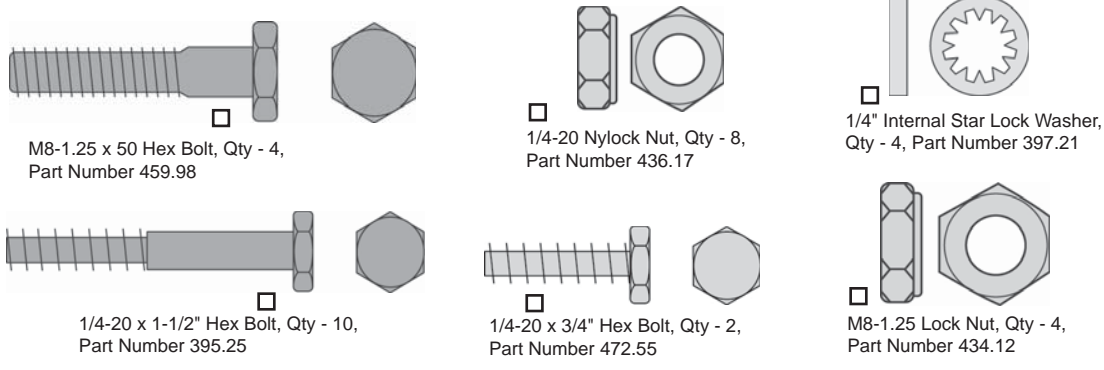
Read and follow, precisely, all installation instructions provided when installing product. Failure to do so may result in a poor fit and could place occupants of the vehicle in a potentially dangerous situation.

# Tailgate Rack Bracket Installation Instructions

## Parts List and Hardware Identification

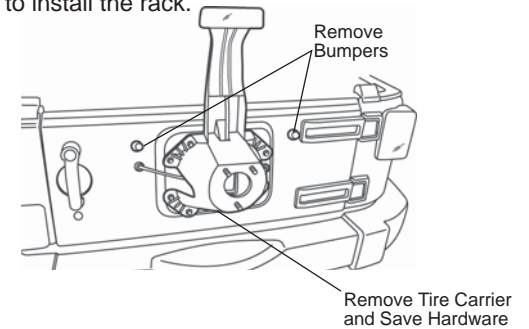


Part Kit, Part Number 507.57



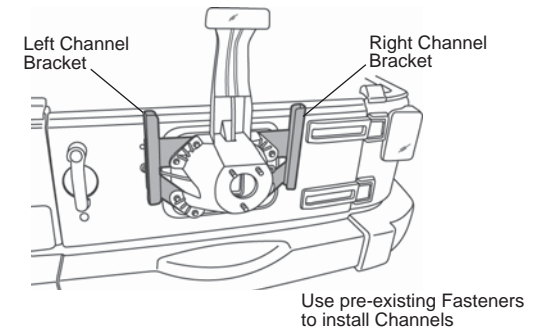
## 1 Remove Spare Tire and Tire Carrier

Remove the spare tire, tire carrier and bumpers from the vehicle and save the fasteners to be used to install the rack.



## 2 Install Channel Brackets

Locate the Left and Right Channel Brackets in the parts kit. Orient the brackets on the tailgate and reattach the Tire Carrier over the Channel Brackets with the fasteners removed in Step 1.



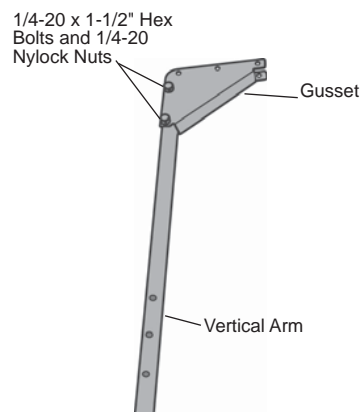
## Tailgate Rack Bracket Installation Instructions

### 3 Assemble Vertical Support Arms

Locate the Vertical Arms and Gussets in the Parts Kit.

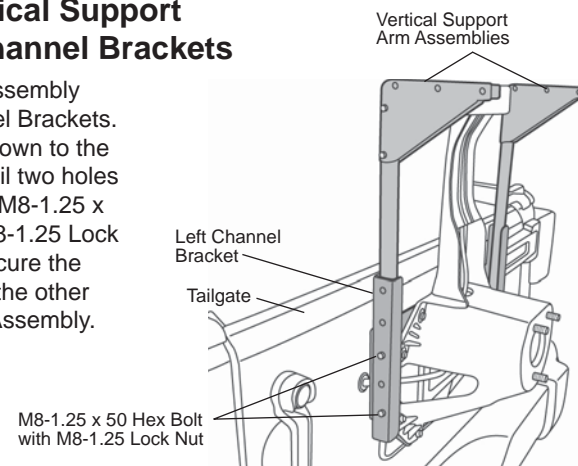
Orient the Vertical Arms with the two holes toward the top. Press an End Cap into this end of each Vertical Arm.

Use two 1/4-20 x 1-1/2" Hex Bolts and two 1/4-20 Nylock Nuts to attach a Gusset to the top end of each Vertical Arm.



### 4 Install Vertical Support Arms in Channel Brackets

Slide a Vertical Arm Assembly into one of the Channel Brackets. Adjust the arm up or down to the desired height and until two holes are aligned. Install an M8-1.25 x 50 Hex Bolt and an M8-1.25 Lock Nut in each hole to secure the arm. Repeat this with the other Vertical Support Arm Assembly.

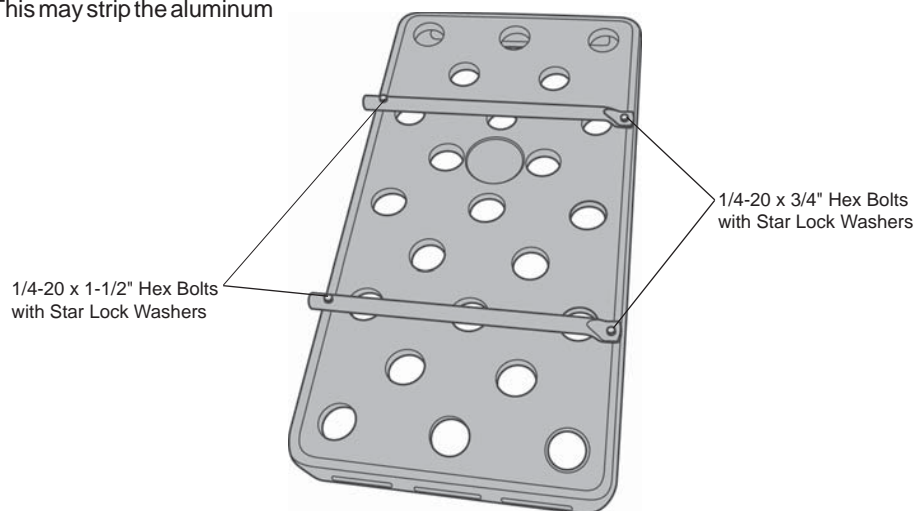


### CAUTION

Do not overtighten the bolts. This may strip the aluminum inserts in the Tray.

### 5 Attach Horizontal Arms to Tray

Press an End Cap into the open end of each Horizontal Arm. Use a 1/4-20 x 3/4" Hex Bolt and Star Lock Washer to attach the flattened end of each Horizontal Arm to the bottom of the Tray. Use a 1/4-20 x 1-1/2" Hex Bolt and a Star Lock Washer to attach the other end of each arm to the Tray.



## Tailgate Rack Bracket Installation Instructions



### CAUTION

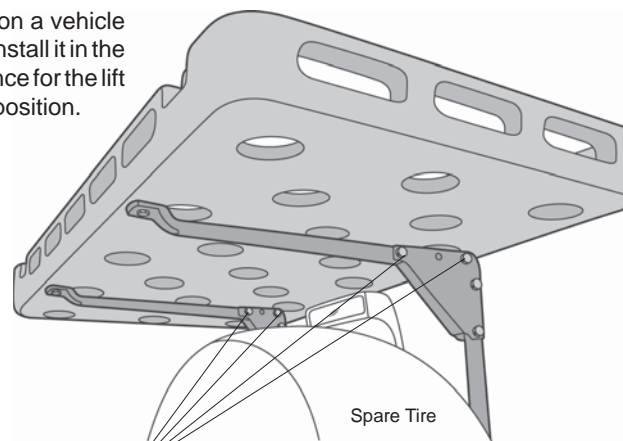
If you are installing this product on a vehicle with a Hard Top, you will need to install it in the rearmost position to allow clearance for the lift glass. DO NOT load the tray with more than 50 lbs. in this position.

6

### Install Tray Assembly

There are multiple holes in the Gusset and the Horizontal Arm to allow you to adjust the Tray's fore/aft position.

Place the Tray/Arm assembly over the spare tire and into the top of the Gussets. Line up the holes in the Gusset and the Horizontal Arm that place the Tray in the desired position. Install two 1/4-20 x 1-1/2" Hex Bolts and two 1/4-20 Lock Nuts to secure each Horizontal Arm to the Gusset.



1/4-20 x 1-1/2" Hex Bolts  
with 1/4-20 Lock Nuts



### CAUTION

Do not load the tray with more than 75 evenly distributed Pounds. Be careful when operating the vehicle because the loaded tray may affect handling. Remember that the tray extends beyond the spare tire when backing.

### Limited Warranty

We warrant our product to be free from defects in material and workmanship, for the terms specified below, provided there has been normal use and proper maintenance. This warranty applies to the original purchaser only. All remedies under this warranty are limited to the repair or replacement of any item or items found by the factory to be defective within the time period specified.

If you have a warranty claim, first you must call our factory at the number below for instructions. You must retain proof of purchase and submit a copy with any items returned for warranty work. Upon completion of warranty work, if any, we will return the repaired or replaced item or items to you freight prepaid. Damage to our products caused by accidents, fire, vandalism, negligence, misinstallation, misuse, Acts of God, or by defective parts not manufactured by us, is not covered under this warranty.

THE WARRANTY TIME PERIOD IS AS FOLLOWS: ALL "PRODUCTS" MANUFACTURED BY OUR COMPANY: ONE YEAR FROM DATE OF PURCHASE.

ANY IMPLIED WARRANTIES OF MERCHANTABILITY AND/OR FITNESS FOR A PARTICULAR PURPOSE CREATED HEREBY ARE LIMITED IN DURATION TO THE SAME DURATION AND SCOPE AS THE EXPRESS WRITTEN WARRANTY. OUR COMPANY SHALL NOT BE LIABLE FOR ANY INCIDENTAL OR CONSEQUENTIAL DAMAGE.

Some states do not allow limitations on how long an implied warranty lasts, or the exclusion or limitation of incidental or consequential damages, so the above limitations or exclusions may not apply to you.

This warranty gives you specific legal rights, and you may also have other rights which vary from state to state.



For further information or request for warranty work, please contact:  
Bestop Inc. Customer Service  
(800) 845-3567  
(303) 465-1755