



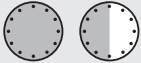

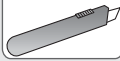

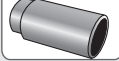



Installation Instructions

Pet Barrier

Vehicle Application

- Jeep Wrangler Unlimited
2007 - Current
Part Number: 42501

www.Bestop.com - We're here to help! Visit our web site and click on "Ask a Question". Click here for more [Jeep Accessories by Bestop](#).

INSTALLATION TIME  1-1/2 Hours	SKILL LEVEL  2 - Moderately Easy			
TOOLS				
 Utility Knife	 Ratchet	 Socket 10mm, 13mm, 18mm	 Wrench 10mm, 13mm, 18mm	 Allen Wrench 4mm
 Safety Glasses				



CAUTION Safety glasses should be worn at all times while installing this product.

WARNING This product is designed primarily to enhance the appearance of the vehicle. Do not rely in any way on the components of this product to protect against injury or death in the event of an accident. Never operate the vehicle in excess of manufacturer's specifications.

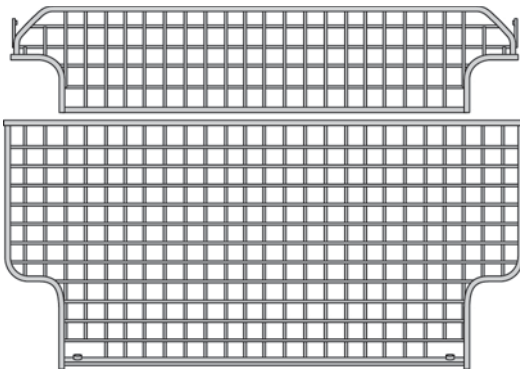
WEAR SEAT BELTS AT ALL TIMES

Read and follow, precisely, all installation instructions provided when installing product. Failure to do so may result in a poor fit and could place occupants of the vehicle in a potentially dangerous situation.

Pet Barrier – Installation Instructions

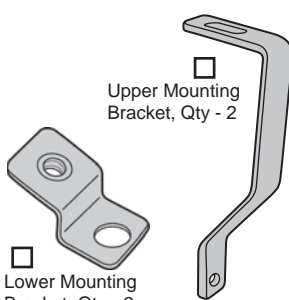
Parts List and Hardware Identification

☐ Upper Partition, Qty - 1



☐ Lower Partition, Qty - 1

☐ Upper Mounting Bracket, Qty - 2



☐ Lower Mounting Bracket, Qty - 2

☐ M6 x 47mm Thumbscrew, Part Number 495.62, Qty - 2

☐ M6 x 25mm Thumbscrew, Part Number 495.63, Qty - 2

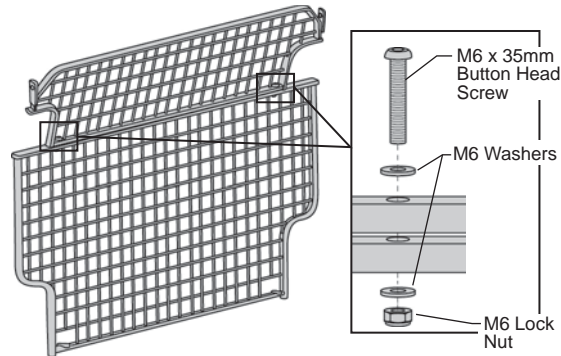
☐ M6 Washer, Qty - 8

☐ M6 Lock Nut, Qty - 4

☐ M6 x 35mm Button Head Screw, Qty - 4

1 Assemble Barrier

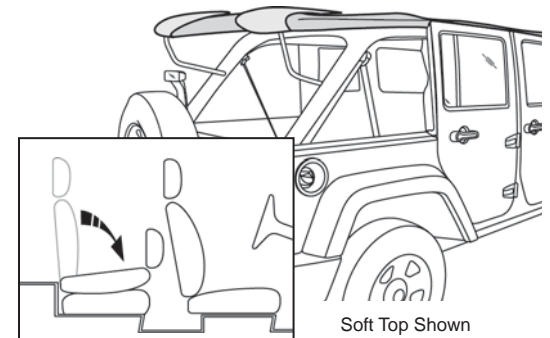
Use a 4mm allen wrench and 10mm wrench to install two (2) M6 x 35mm Button Head Screws, two (2) M6 Lock Nuts and four (4) M6 Washers to mount the Upper Partition to the Lower Partition.



2 Prepare Vehicle

Fold down the rear seat.

If you have a SOFT TOP: Remove the quarter windows. Release top from rear corner retainers and fold fabric legs up out of the way.

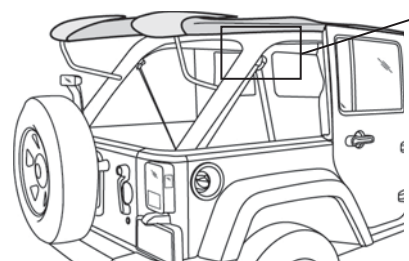


3 Install Upper Mounting Bracket

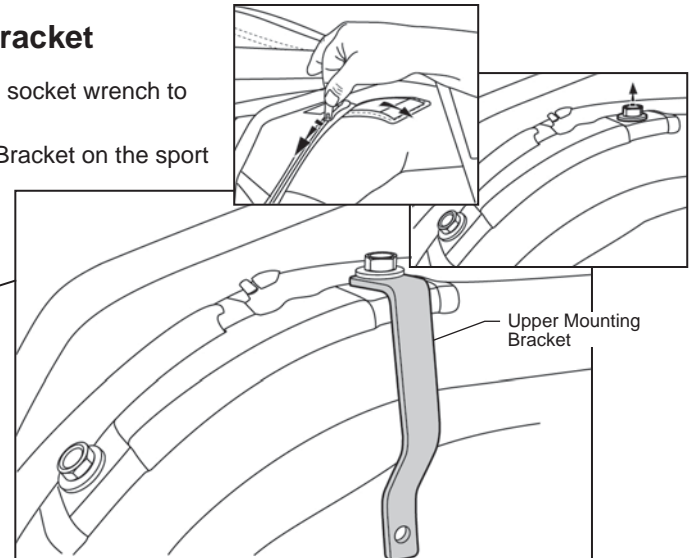
Unzip the sport bar cover and use a 13mm socket wrench to remove the bolt in the top of the sport bar.

Use the bolt to install the Upper Mounting Bracket on the sport bar.

Repeat on both sides of the vehicle.



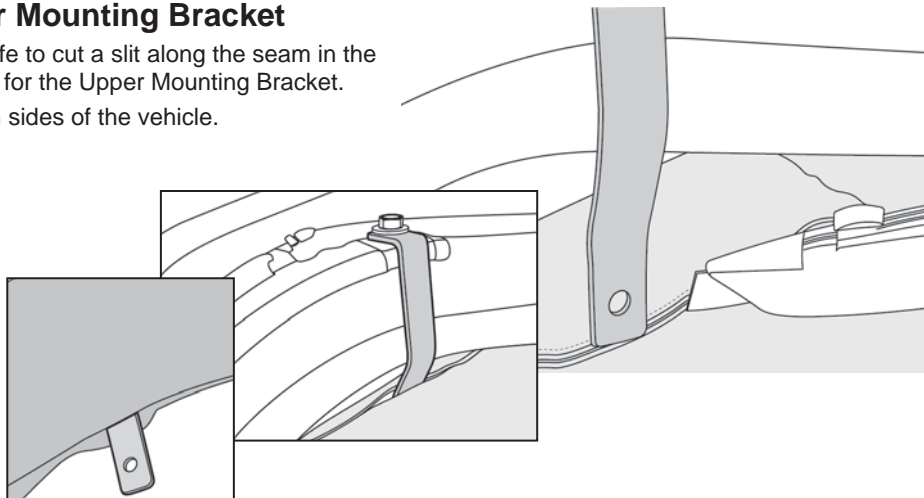
Soft Top Shown



Pet Barrier – Installation Instructions

4 Slit Sport Bar Cover around Upper Mounting Bracket

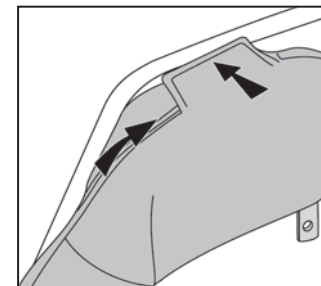
Use a utility knife to cut a slit along the seam in the sport bar cover for the Upper Mounting Bracket. Repeat on both sides of the vehicle.



5 Close Sport Bar Cover and Resecure Top

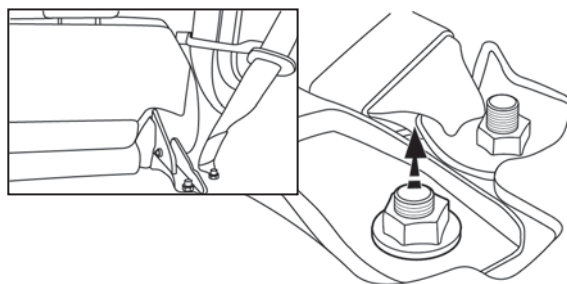
Close the cover around the sport bar on both sides of the vehicle.

If you have a SOFT TOP: Reinstall the rear corners of the top and reinstall the quarter windows.



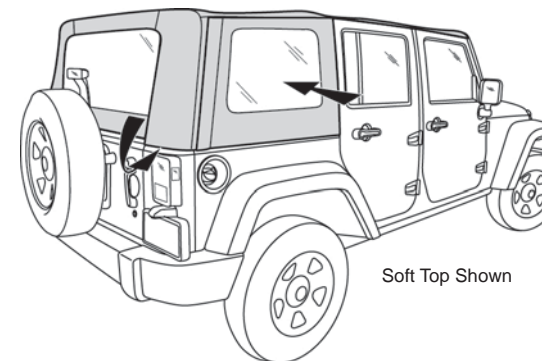
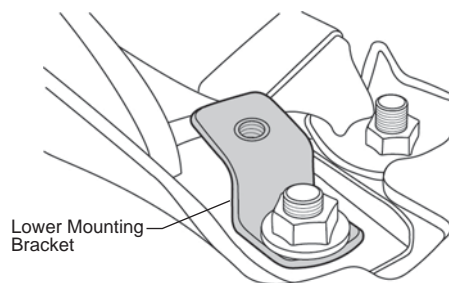
6 Remove Seat Mount Bolts

Use an 18mm socket to remove the rear nuts in the seat mounts on each side of the vehicle



7 Install Lower Mounting Brackets

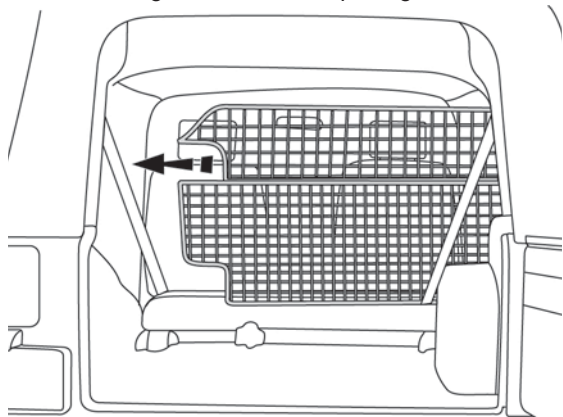
Use the nuts removed in Step 6 to install the Lower Mounting Brackets to the seat mounts on each side of the vehicle.



Pet Barrier – Installation Instructions

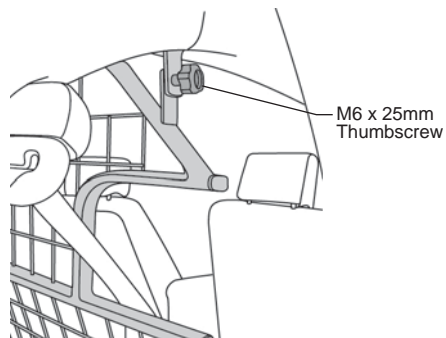
8 Place the Pet Barrier Assembly in the vehicle

Slide the Pet Barrier Assembly into the vehicle from the side through the rear door opening.



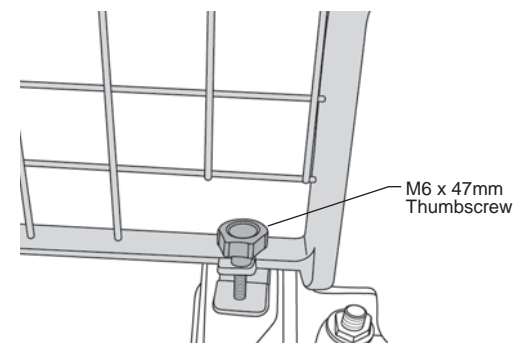
9 Install M6 x 25mm Thumbscrews

Use the M6 x 25mm Thumbscrews to secure the upper brackets on the Pet Barrier Assembly to the Upper Mounting Brackets installed on the sport bars.



10 Install M6 x 47mm Thumbscrews

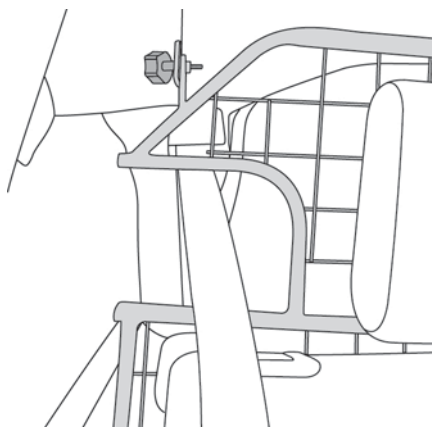
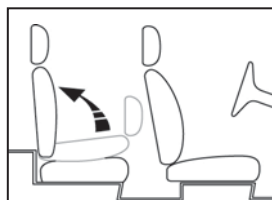
Use the M6 x 47mm Thumbscrews to secure the lower brackets on the Pet Barrier Assembly to the Lower Mounting Brackets installed on the seat mounts.



11 Raise Rear Seat

Raise the Rear Seat.

Make sure the seat belts are through the openings in the Pet Barrier and operate safely.



Pet Barrier – Installation Instructions

LIMITED WARRANTY

We warrant our product to be free from defects in material and workmanship, for the terms specified below, provided there has been normal use and proper maintenance. This warranty applies to the original purchaser only. All remedies under this warranty are limited to the repair or replacement of any item or items found by the factory to be defective within the time period specified. If you have a warranty claim, first you must call our factory at the number below for instructions. You must retain proof of purchase and submit a copy with any items returned for warranty work. Upon completion of warranty work, if any, we will return the repaired or replaced item or items to you freight prepaid. Damage to our products caused by accidents, fire, vandalism, negligence, misinstallation, misuse, Acts of God, or by defective parts not manufactured by us, is not covered under this warranty.

THE WARRANTY TIME PERIOD IS AS FOLLOWS: THREE YEARS FROM DATE OF PURCHASE.

ANY IMPLIED WARRANTIES OF MERCHANTABILITY AND/OR FITNESS FOR A PARTICULAR PURPOSE CREATED HEREBY ARE LIMITED IN DURATION TO THE SAME DURATION AND SCOPE AS THE EXPRESS WRITTEN WARRANTY. OUR COMPANY SHALL NOT BE LIABLE FOR ANY INCIDENTAL OR CONSEQUENTIAL DAMAGE.

Some states do not allow limitations on how long an implied warranty lasts, or the exclusion or limitation of incidental or consequential damages, so the above limitations or exclusions may not apply to you. This warranty gives you specific legal rights, and you may also have other rights which vary from state to state.



For further information or request for warranty work, please contact:

Bestop Inc. Customer Service

Toll-Free: (800)845-3567

Main: (303)465-1755

E-mail: csbestop@Bestop.com

Website: www.Bestop.com