





Installation Instructions

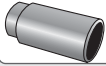



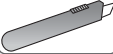

KNOCK DOWN INSTATRUNK™

Vehicle Application:

- Jeep® Wrangler and Wrangler Unlimited
2007 – 2010
Part Number: 42702

www.Bestop.com - We're here to help! Visit our web site and click on "[Ask a Question](#)". Click here for more [Jeep® Accessories by Bestop](#).

INSTALLATION TIME	SKILL LEVEL
 1/2 Hour	 1 - Easy

TOOLS			
 Socket 10 mm and 15 mm	 Ratchet	 Wrench 9/16" and 13mm	 Allen Wrench 5 mm
 Utility Knife	 Safety Glasses		



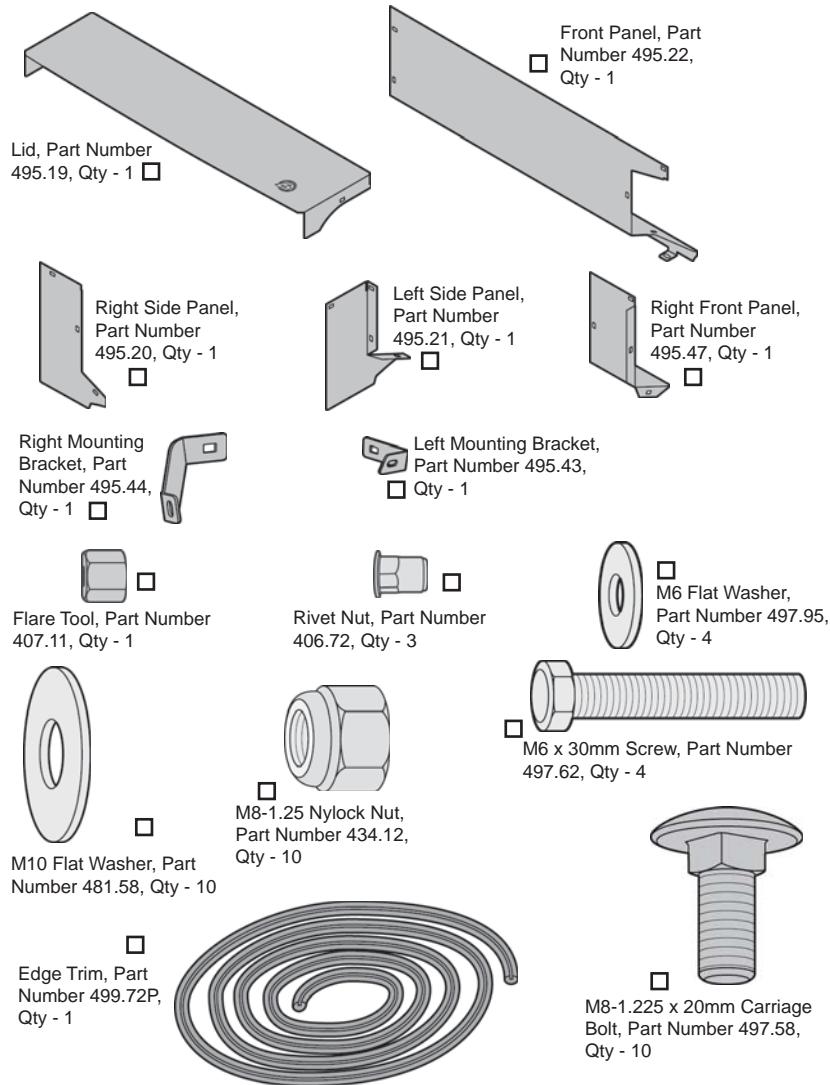
⚠ WARNING This product is designed primarily to enhance the appearance of the vehicle. Do not rely in any way on the components of this product to protect against injury or death in the event of an accident. Never operate the vehicle in excess of manufacturer's specifications.

WEAR SEAT BELTS AT ALL TIMES

Read and follow, precisely, all installation instructions provided when installing product. Failure to do so may result in a poor fit and could place occupants of the vehicle in a potentially dangerous situation.

KNOCK DOWN INSTATRUNK™ Installation Instructions

Parts List and Hardware Identification



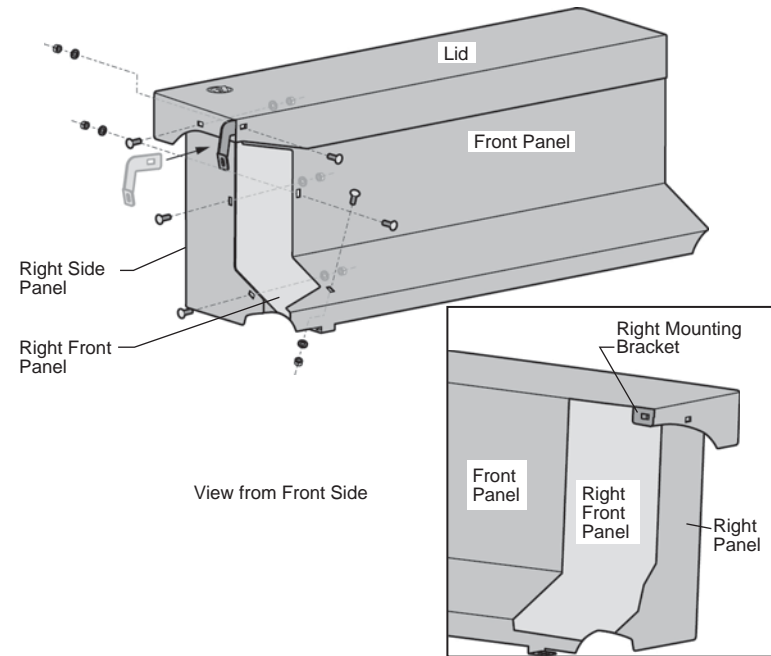
Without Subwoofer

1 Right Side Assembly

Align the screw holes for the following parts in this order.

- 1 Lid (495.19)
- 2 Front Panel (495.22). Lid flange on outside of Front Panel.
- 3 Right Front Panel (495.47). Behind Front Panel.
- 4 Right Side Panel (495.20). Behind Lid and in front of Front Right Panel.
- 5 Right Mounting Bracket (495.44). Slide bracket into gap on Lid and behind Right Front Panel.

Once all parts are aligned, install six (6) M8-1.225 x 20mm Carriage Bolts (497.58), six (6) M10 Flat Washers (481.58), and six (6) M8-1.25 Nylock Nuts (434.12).



KNOCK DOWN INSTATRUNK™ Installation Instructions

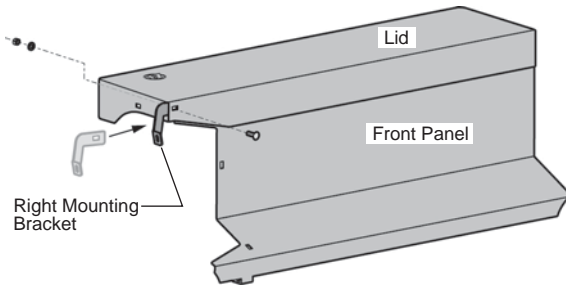
With Subwoofer

1 Right Side Assembly

Align the screw holes for the following parts in this order.

- 1 Lid (495.19)
- 2 Front Panel (495.22). Lid flange on outside of Front Panel.
- 3 Right Mounting Bracket (495.44). Slide bracket into gap on Lid.

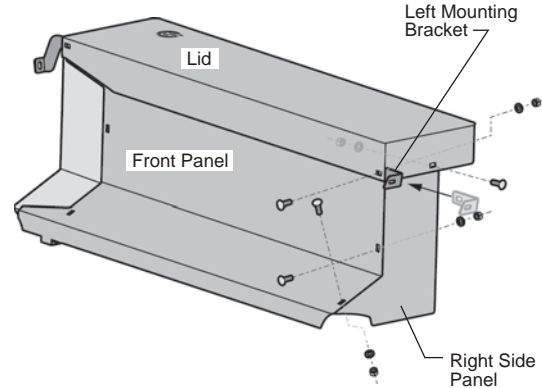
Once all parts are aligned, install one (1) M8-1.225 x 20mm Carriage Bolt (497.58), one (1) M10 Flat Washer (481.58), and one (1) M8-1.25 Nylock Nut (434.12).



2 Left Side Assembly

Align the screw holes in the Left Side Panel (495.21) with the Lid (495.19) and the Front Panel (495.22). Then insert the Left Mounting Bracket (495.43) into the gap in the Lid.

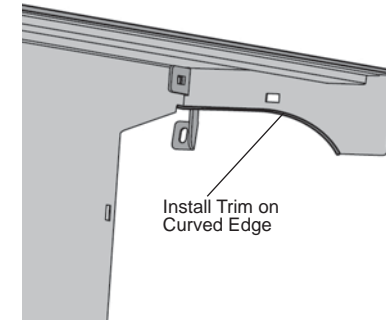
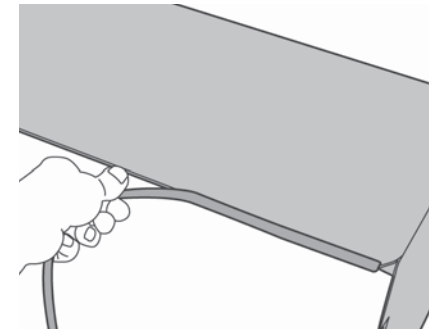
Once all parts are aligned, install four (4) M8-1.225 x 20mm Carriage Bolts (497.58), four (4) M10 Flat Washers (481.58), and four (4) M8-1.25 Nylock Nuts (434.12).



With Subwoofer

3 Install Edge Trim

Press the Edge Trim onto the rear edge of the Tailgate Panel. Work across from the right side of the panel to the left. Trim off the excess Edge Trim and install it on the edge above the subwoofer opening.

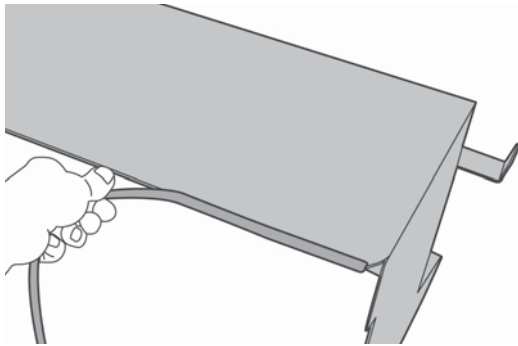


KNOCK DOWN INSTATRUNK™ Installation Instructions

Without Subwoofer

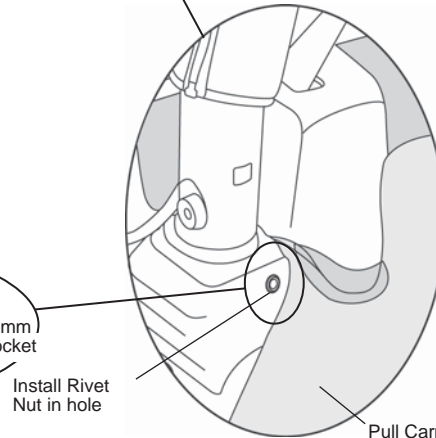
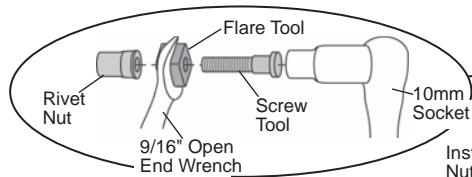
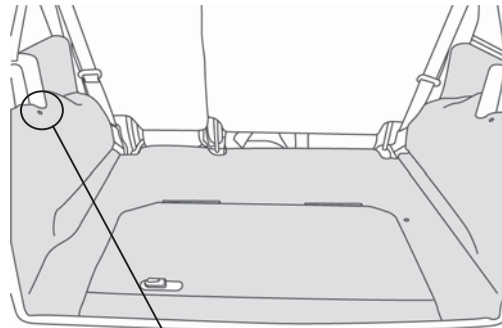
3 Install Edge Trim

Press the Edge Trim onto the rear edge of the Tailgate Panel. Work across from the right side of the panel to the left.



4 Install Rivet Nut

Locate the hole in the tub of the vehicle on the driver's side below the sport bar. Carefully pull the carpet away from the hole. Locate the Rivet Nut in the parts kit. Use the Flare and Screw Tools provided and a 9/16" Open End Wrench and a 10mm Socket to install them into the hole. Make sure that the flange of the Rivet Nut is completely against the metal while installing.

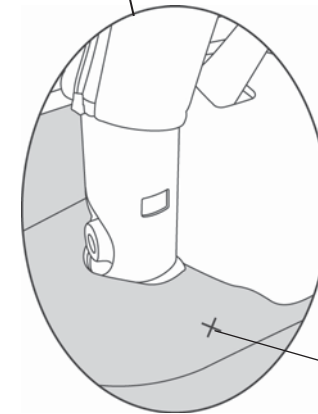
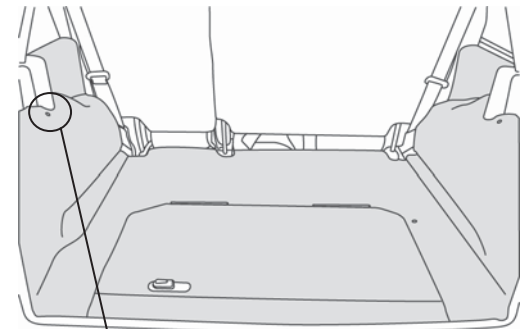


Install Rivet Nut in hole

Pull Carpet Away

5 Replace Carpet

Replace the carpet, smoothing it out and covering the Rivet Nut. Use a utility knife to cut a 1" X in the carpet at the Rivet Nut location.



Cut 1" X in Carpet at Rivet Nut Location

KNOCK DOWN INSTATRUNK™ Installation Instructions

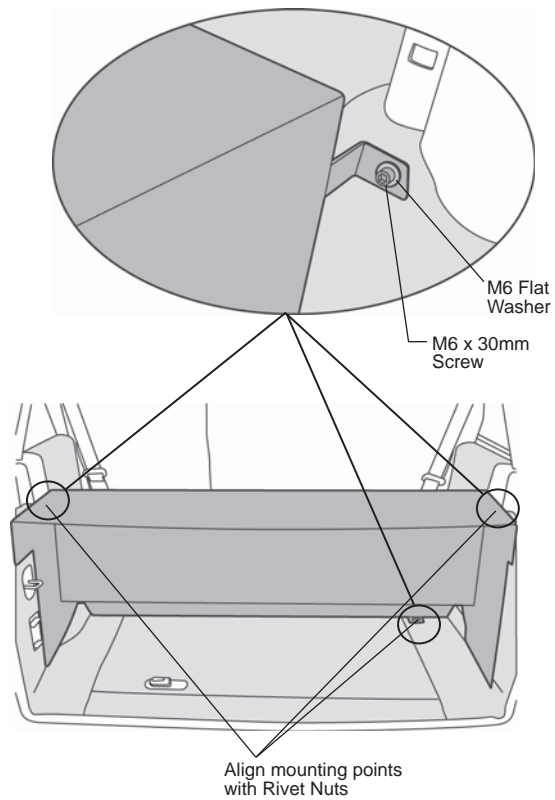
Without Subwoofer

With Subwoofer skip to Step 7.

6 Install INSTATRUNK™ In Vehicle

Place the Instatrunk™ in the vehicle with the opening toward the rear. Align the holes in the Instatrunk™ with the Rivet Nut locations.

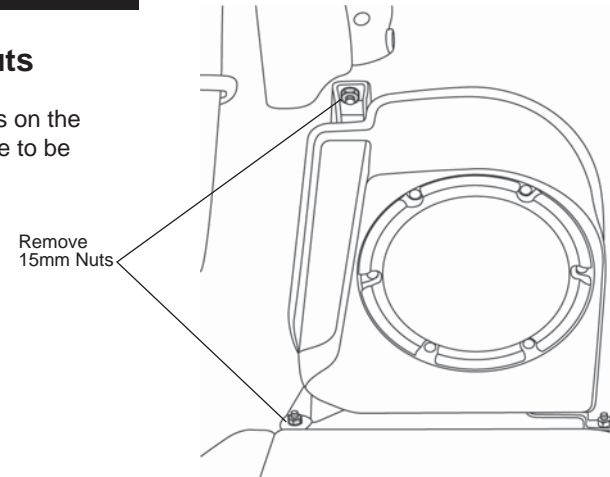
Install an M6 x 30mm Screw (497.62) with an M6 Flat Washer (497.62) into each of the Rivet Nuts.



With Subwoofer

7 Remove Subwoofer Nuts

Remove the upper and lower 15mm nuts on the front of the subwoofer. Set the nuts aside to be reused to install the Instatrunk™.

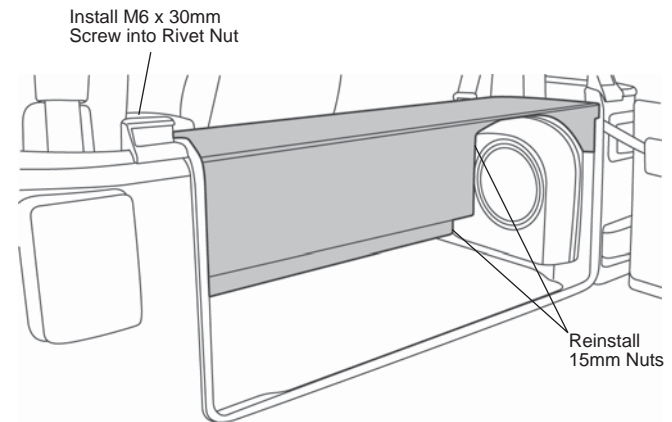


With Subwoofer

8 Install INSTATRUNK™ In Vehicle

Place the Instatrunk™ in the vehicle with the opening toward the rear. Align the hole on the driver side of the Instatrunk™ with the Rivet Nut location and set the two attachment points on the passenger side over the studs on the subwoofer where the nuts were removed.

Install an M6 Bolt with a Washer into the Rivet Nut and reinstall the 15mm Nuts to secure the Instatrunk™ to the subwoofer studs.



KNOCK DOWN INSTATRUNK™ Installation Instructions

LIMITED WARRANTY

We warrant our product to be free from defects in material and workmanship, for the terms specified below, provided there has been normal use and proper maintenance. This warranty applies to the original purchaser only. All remedies under this warranty are limited to the repair or replacement of any item or items found by the factory to be defective within the time period specified. If you have a warranty claim, first you must call our factory at the number below for instructions. You must retain proof of purchase and submit a copy with any items returned for warranty work. Upon completion of warranty work, if any, we will return the repaired or replaced item or items to you freight prepaid. Damage to our products caused by accidents, fire, vandalism, negligence, misinstallation, misuse, Acts of God, or by defective parts not manufactured by us, is not covered under this warranty.

THE WARRANTY TIME PERIOD IS AS FOLLOWS FOR REPLACE-A-TOP™, SAILCLOTH REPLACE-A-TOP™, SUPERTOP®, SUPERTOP® REPLACEMENT SKINS, SUNRIDER®, AND TIGERTOP®: TWO YEARS FROM DATE OF PURCHASE.

THE WARRANTY TIME PERIOD IS AS FOLLOWS FOR ALL OTHER “SOFT GOODS” MANUFACTURED BY OUR COMPANY (USING PRIMARILY VINYL, PLASTICS, AND/OR FOAM): ONE YEAR FROM DATE OF PURCHASE.

THE WARRANTY TIME PERIOD IS AS FOLLOWS FOR ALL OTHER “HARD GOODS” MANUFACTURED BY OUR COMPANY (USING PRIMARILY METALS, PLASTICS, AND/OR FIBERGLASS): ONE YEAR FROM DATE OF PURCHASE.

ANY IMPLIED WARRANTIES OF MERCHANTABILITY AND/OR FITNESS FOR A PARTICULAR PURPOSE CREATED HEREBY ARE LIMITED IN DURATION TO THE SAME DURATION AND SCOPE AS THE EXPRESS WRITTEN WARRANTY. OUR COMPANY SHALL NOT BE LIABLE FOR ANY INCIDENTAL OR CONSEQUENTIAL DAMAGE.

Some states do not allow limitations on how long an implied warranty lasts, or the exclusion or limitation of incidental or consequential damages, so the above limitations or exclusions may not apply to you. This warranty gives you specific legal rights, and you may also have other rights which vary from state to state.



For further information or request for warranty work, please contact:
Bestop Inc. Customer Service
Toll-Free: (800)845-3567
Main: (303)465-1755
E-mail: csbestop@Bestop.com
Website: www.Bestop.com