



Installation Instructions Modular Bumper - Rear

Vehicle Application:
Jeep® Wrangler 2-Door & Unlimited 2007-2017
Part Number 44940

Installation Tips

Before you begin installing your new Modular Bumper, please read all the instructions thoroughly.

If you have purchased other Modular Bumper accessories, read all instructions carefully, as you may have to assemble these optional accessories before installing this bumper on your vehicle.



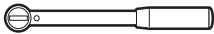

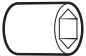

! WARNING Do not rely in any way on the components of this product to protect against injury or death in the event of an accident. Never operate the vehicle in excess of manufacturer's specifications.

Read and follow, precisely, all installation instructions provided when installing this product. Failure to do so may result in a poor fit and could place occupants of the vehicle in a potentially dangerous situation.



WEAR SEAT BELTS AT ALL TIMES

! CAUTION Safety glasses should be worn at all times when installing this product.

Tools			Installation Time	Support
 Safety Glasses	 16mm - 18mm Wrenches	 Socket Wrench	 1-1/2 hours	We're here to help! Go to www.Bestop.com and click on "Contact Us"
 13mm - 16mm - 17mm 18mm - 19mm (or 3/4") sockets			Skill Level  3 - Moderately Difficult	



Installation Instructions Modular Bumper - Rear

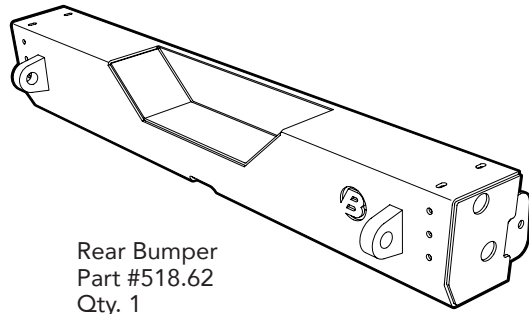
Vehicle Application:
Jeep® Wrangler 2-Door & Unlimited 2007-2017
Part Number 44940

Parts List

- Required parts for installation

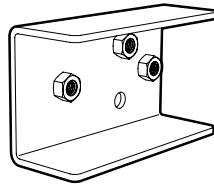
Sections 2 to 4 Attach Brackets; Attach Bumper; Cap Holes

Pages 5 to 7 of Guide

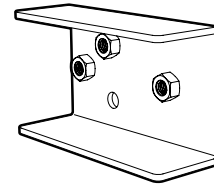


Rear Bumper
Part #518.62
Qty. 1

Parts Bundle Part #547.63

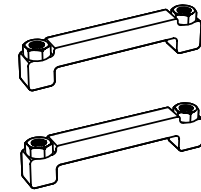


Frame Bracket - Left
Part #518.63
Qty. 1



Frame Bracket - Right
Part #518.64
Qty. 1

Parts Bundle Part #547.64

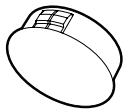


Inner Frame Bracket
Part #518.65
Qty. 2

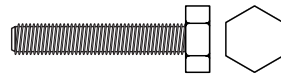
Sections 2 to 4 Attach Brackets; Attach Bumper; Cap Holes

Pages 5 to 7 of Guide

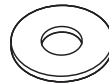
Parts Bundle Part #549.71



Casting Hole Caps
Part #518.69
Qty. 4



M12-1.75x55
Hex Head Bolt
Part #518.68
Qty. 6



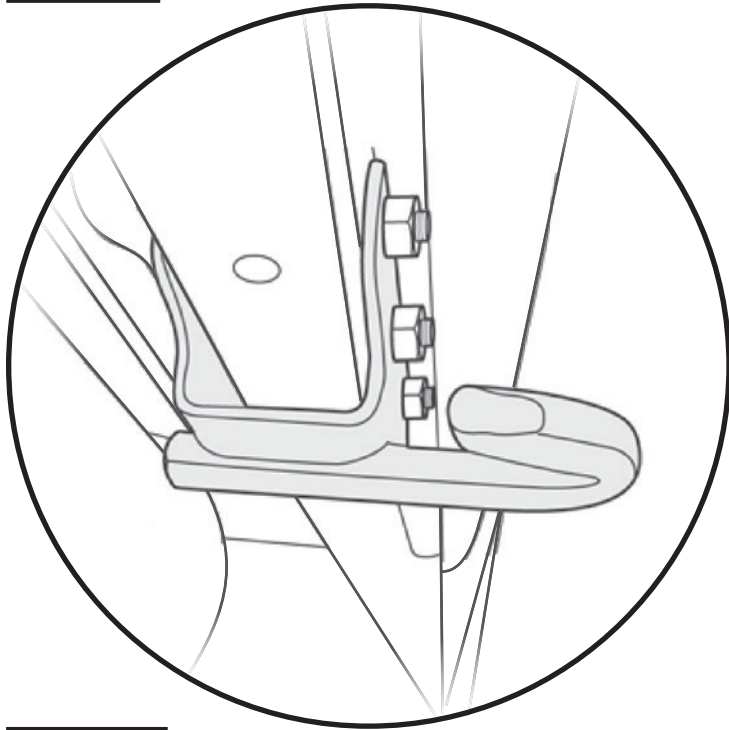
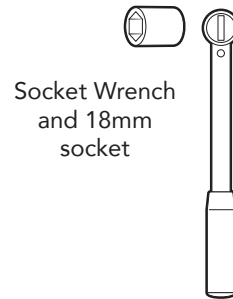
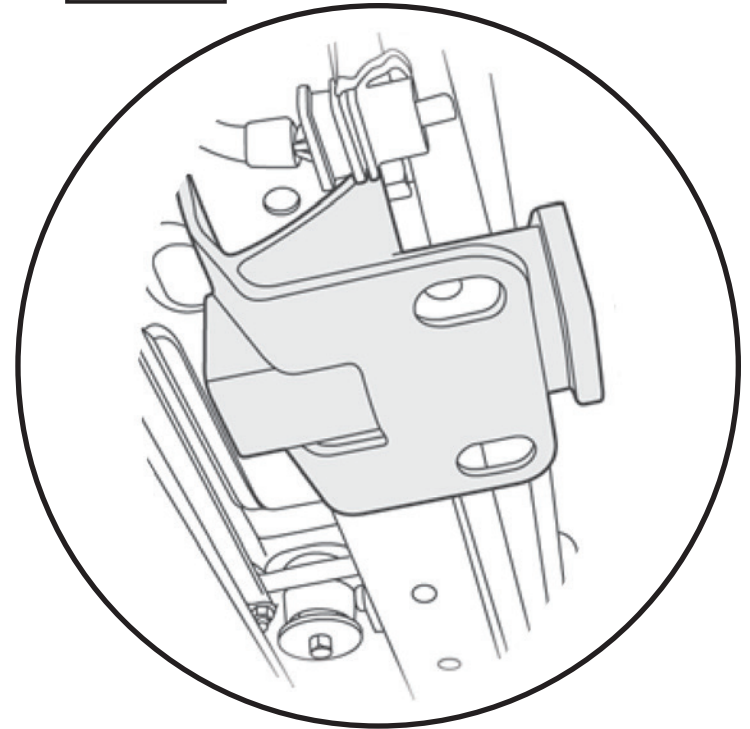
12mm Flat Washer
Part #548.12
Qty. 6



M8-1.25x110
Hex Head Bolts
Part #518.70
Qty. 4



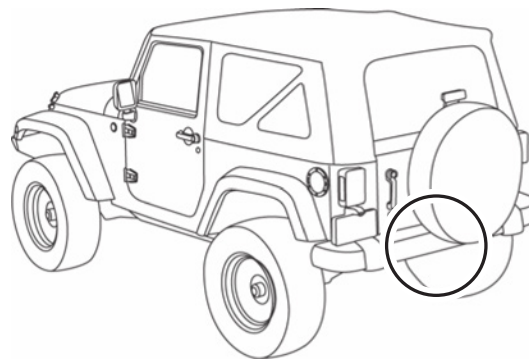
M8 Flat Washer
Part #484.93
Qty. 4

Step 1**Tools****Step 2****Step 1**

If your vehicle is equipped with a tow hook, you will need to remove it before installing your new Modular Bumper.

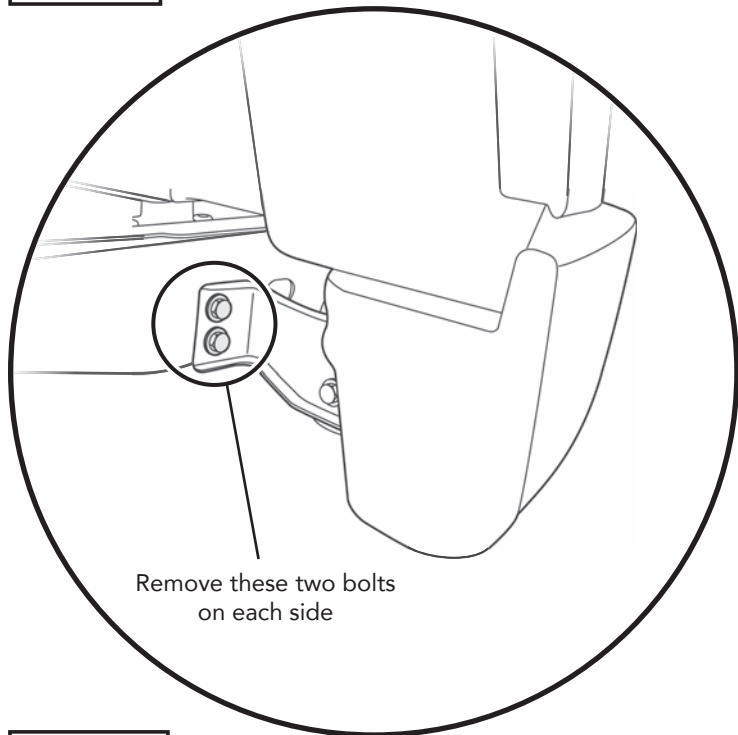
Use an 18mm socket or wrench to remove the three (3) bolts that attach the tow hook to the factory bumper.

If your vehicle is equipped with a spare tire, you may need to remove the tire to make removal of the factory bumper easier.

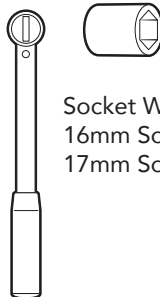
**Step 2**

If your vehicle is equipped with a tow hitch, you may leave it installed.

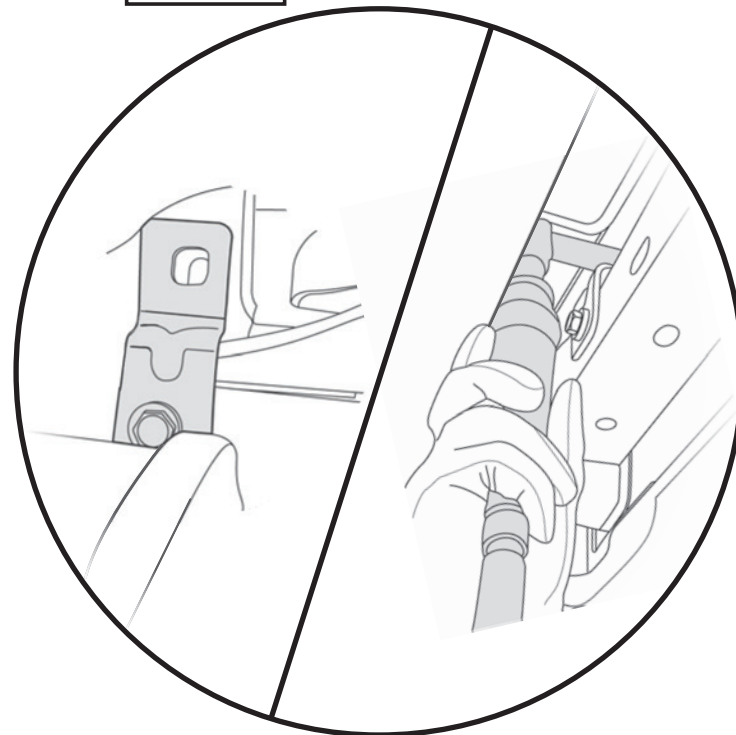
If you plan to add a tow hitch, you should install it before installing the new Bestop Modular Rear Bumper.

Step 1

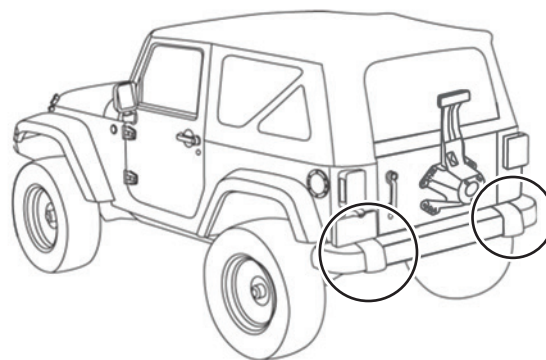
Remove these two bolts
on each side

Tools

Socket Wrench
16mm Socket
17mm Socket

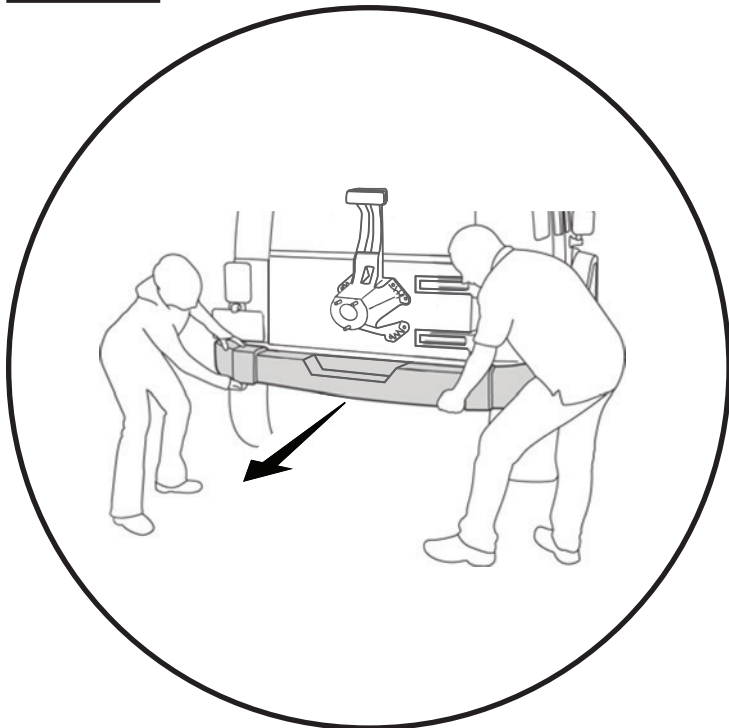
Step 2**Step 2****Step 1**

Use a socket wrench with a 16mm socket to remove the two (2) bolts on each side of the factory bumper that attach the bumper to the frame.

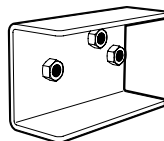


Use a socket wrench with a 17mm socket to remove all of the bolts that secure the brackets on each side and the middle of the factory bumper, and remove all the brackets.

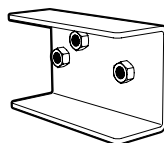
Step 1



Hardware



Frame Bracket - Left
Part #518.63
Qty. 1

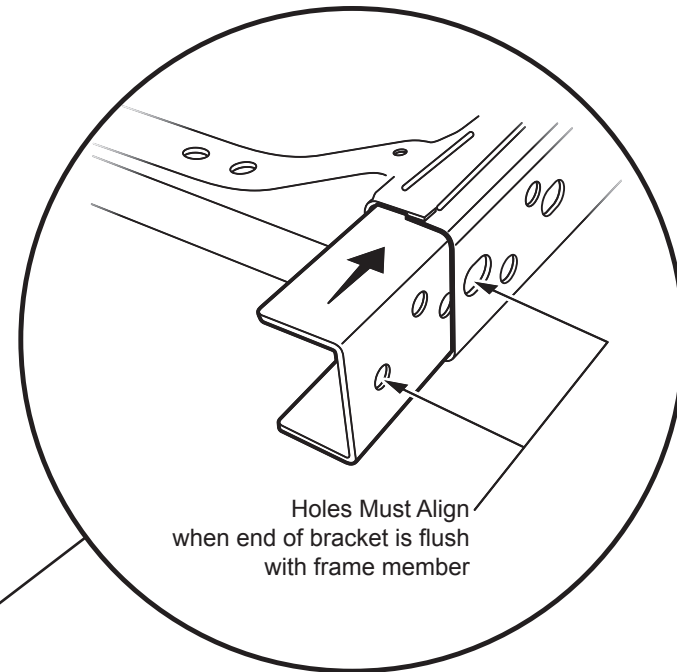


Frame Bracket - Right
Part #518.64
Qty. 1

Step 3

518.63

518.64



Holes Must Align
when end of bracket is flush
with frame member

Step 1

CAUTION

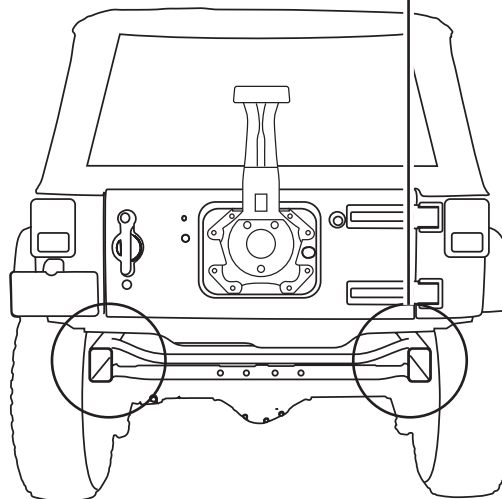
Two or more people may be required to lift the factory bumper safely.

Position a person at either end of the factory bumper and lift it away from the vehicle.

Set the factory bumper aside.

Step 2

If you are installing a tow hitch, you should install it now.



Step 3

Slide the Frame Brackets Part #518.63 and #518.64 into the vehicle frame members on each side.

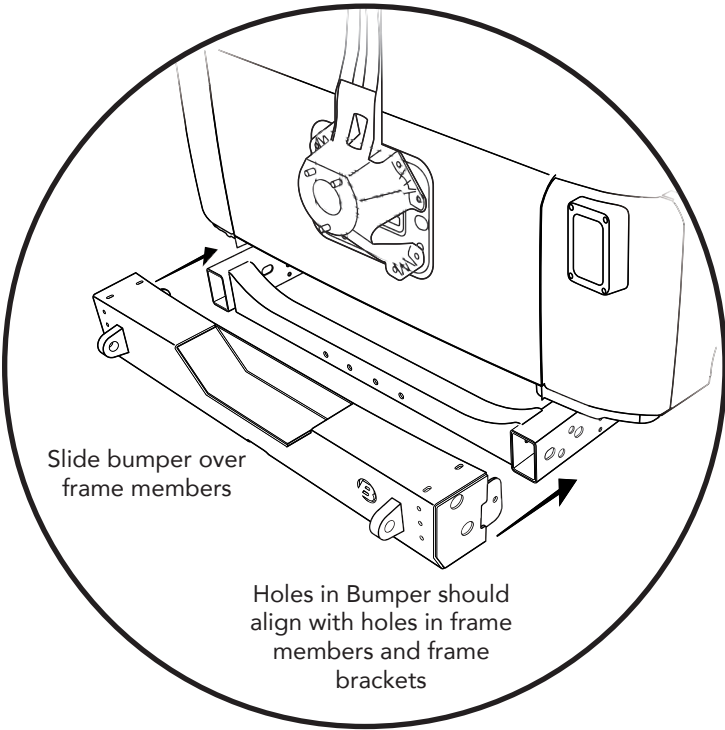
Holes in the Frame Brackets must align with holes in the frame members when brackets are inserted so that the end of the bracket is flush with the outer edge of the frame member.

NOTE: You may have to clean out the inside of the frame member to get the bracket to slide into the frame member.

Step 4

If you are installing a Tire Carrier or Bumper End Caps, you should install them now.

Step 1 518.62

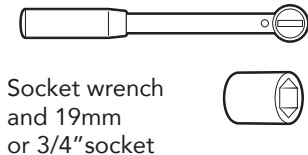
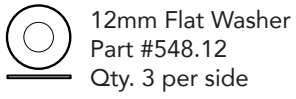
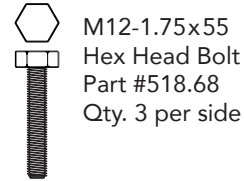
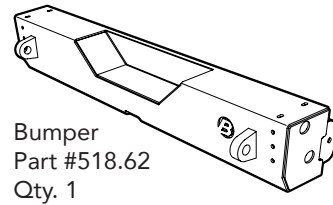


NOTE: If you have purchased Bestop Bumper End Caps or Tire Carrier - refer to those those instructions now. You will need to install these optional parts before mounting the Modular Bumper to your vehicle.

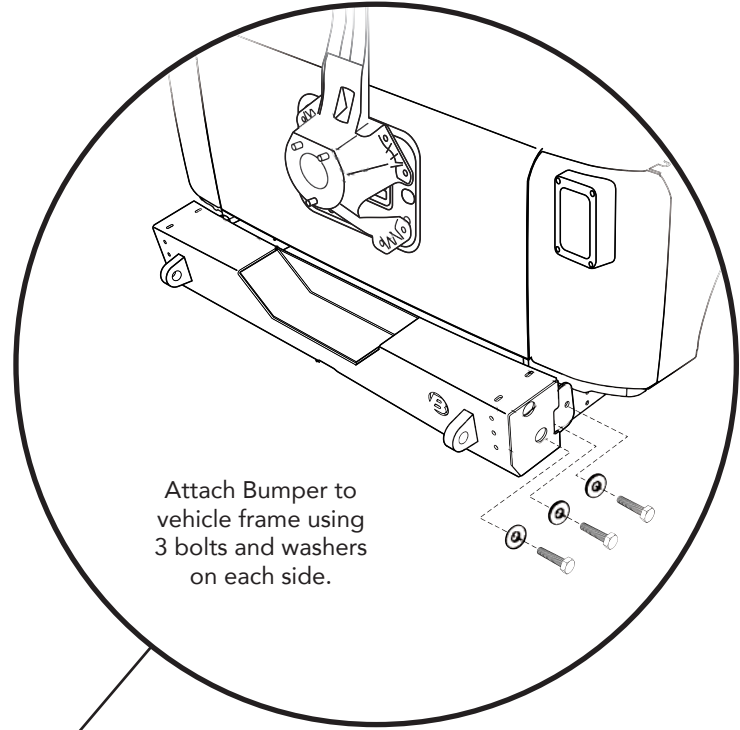
Step 1

Slide the Bumper Part #518.62 over the vehicle frame members, making sure to align the holes in the bumper with the holes in the frame members and the holes in the Frame Brackets.

Hardware

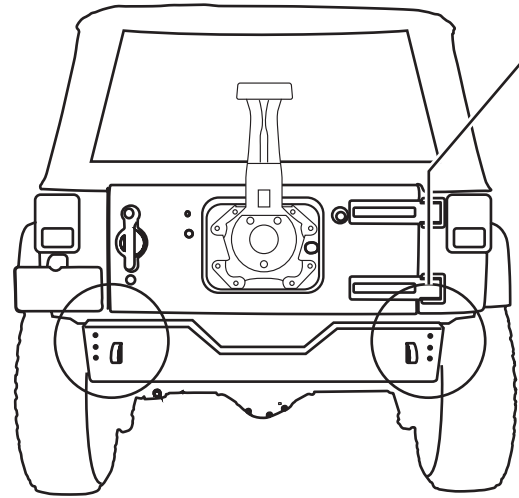


Step 2 518.68 548.12

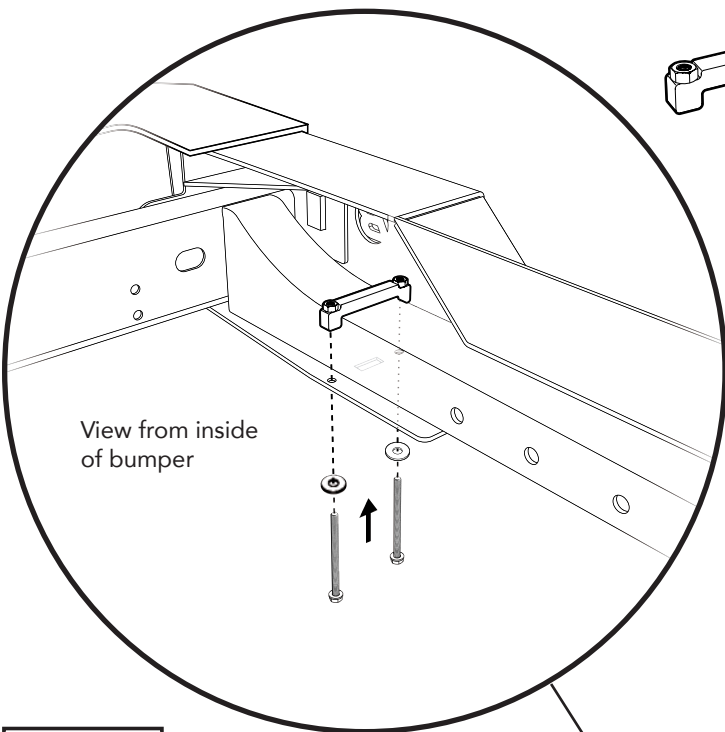


Step 2

When all holes in the Bumper, Bumper Bracket, and vehicle frame are aligned, attach the Bumper to the vehicle frame using three (3) M12-1.75x55 Bolts #518.68 and three (3) M12 flat washers #548.12 per side.



Step 1 518.65 518.70 484.93

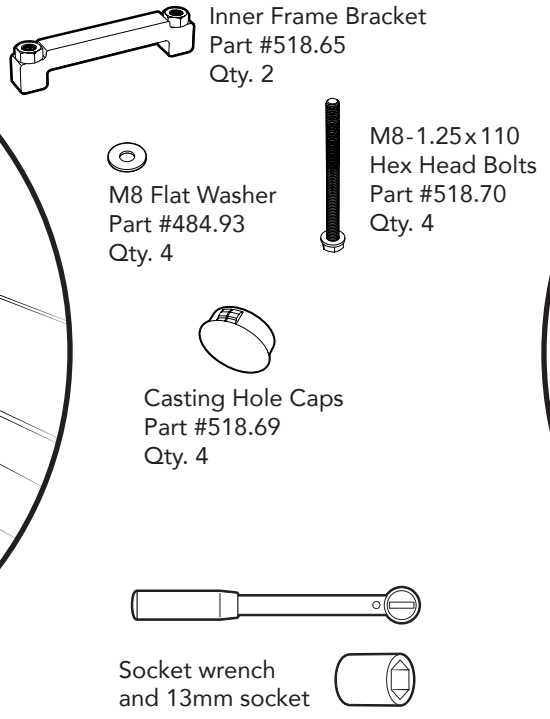


Step 1

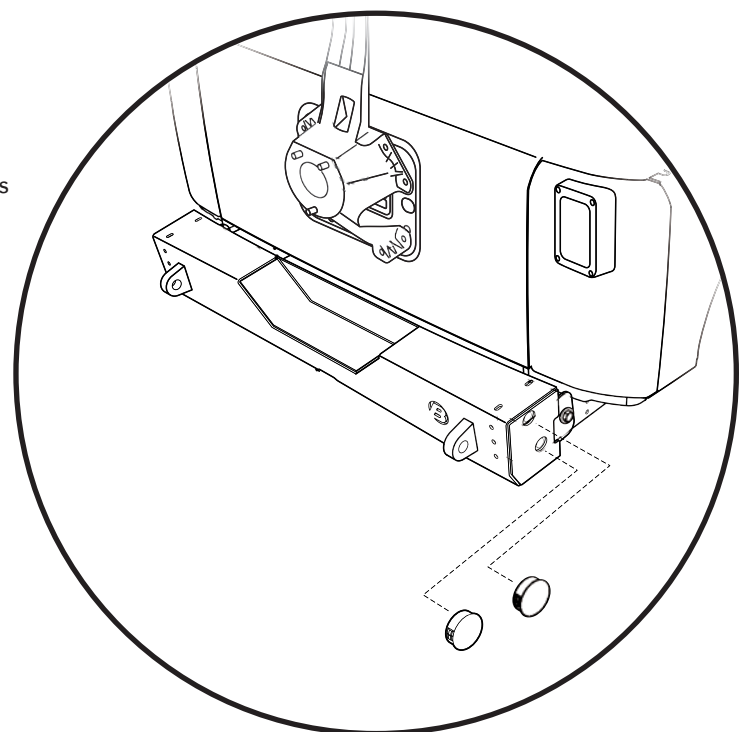
On the inside of the bumper, attach two (2) Inner Frame Brackets #518.65, with two (2) M8-1.25x110 Bolts #518.70 and two (2) M8 flat washers #484.93 per bracket.

The Inner Brackets go over the top of the vehicle horizontal frame member, and the bolts go up through the bottom of the Bumper, through the frame member, and into the brackets.

Hardware



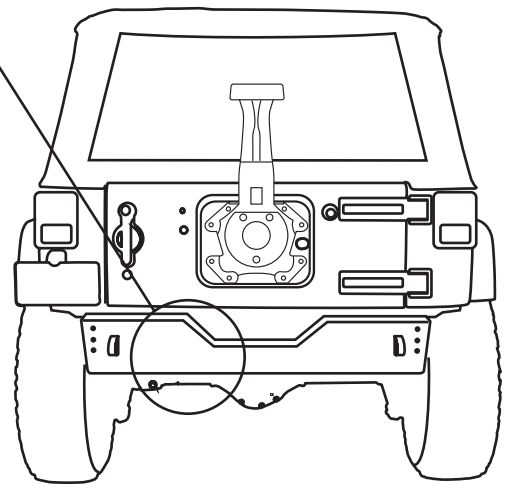
Step 2 518.69



Step 2

Once you have tightened all fasteners, cap the two large holes in each end of the bumper with the four (4) large Casting Hole Caps #518.69.

Re-install the spare tire if you removed it earlier.





Installation Instructions Modular Bumper - Rear

Vehicle Application:
Jeep® Wrangler 2-Door & Unlimited 2007-2017
Part Number 44940

WHAT BESTOP WARRANTS

Subject to the terms and conditions of sale, including any terms and conditions set forth by Bestop, Inc. (“Bestop” or “us” or “we”) in our then-current terms of sale on our website (collectively, the “Terms”), Bestop represents and warrants that: the covered products listed in the “Covered Products and Warranty Periods” section (a “Product”) will substantially be free from defects in materials and workmanship for the specified warranty periods set forth in that section.

THE WARRANTY IS LIMITED AND CONDITIONAL

This warranty applies to the original purchaser of the Product only. The warranty is valid only as long as the original retail purchaser owns the vehicle upon which the Product is installed. The warranty expires should the Product be removed from the original vehicle or if the original vehicle is transferred to another owner.

This warranty is not transferable or assignable. The warranty does not apply to Product bought from auction-style or price-bid websites.

THE LIMITED WARRANTY AND STATED REMEDIES ARE SOLE AND EXCLUSIVE AND IN LIEU OF ALL OTHER WARRANTIES AND REMEDIES, AND COMPANY EXPRESSLY DISCLAIMS ALL IMPLIED OR STATUTORY OR OTHER WARRANTIES, INCLUDING WITHOUT LIMITATIONS WARRANTIES OF MERCHANTABILITY, NON-INFRINGEMENT OR FITNESS FOR A PARTICULAR PURPOSE. IN NO EVENT WILL COMPANY BE LIABLE FOR ANY SPECIAL, INCIDENTAL, CONSEQUENTIAL, PUNITIVE, INDIRECT OR EXEMPLARY DAMAGES OF ANY KIND, INCLUDING LOST PROFITS OR REVENUE, HOWEVER CAUSED, WHETHER FOR BREACH OR REPUDIATION OF CONTRACT, TORT, BREACH OF WARRANTY, NEGLIGENCE, OR OTHERWISE, WHETHER OR NOT COMPANY WAS ADVISED OF THE POSSIBILITY OF SUCH LOSS OR DAMAGES.

Some states do not allow exclusion or limitation, so this may not apply to you. This warranty gives you specific legal rights, and you may have other rights which vary from state to state.

EXCLUSIONS TO THE WARRANTY

The Limited Warranty excludes, and Bestop is not liable in any way for any warranty claims, damages, or defects related to:

- Misuse, abuse, accidents, vandalism, negligence, fire, or improper installation or modification, or improper or inadequate maintenance;
- Failure to comply with any Product documentation, Bestop instructions, or applicable law or regulations; use in extreme conditions
- Force Majeure including but not limited to, earthquake, hurricane, tornado, flooding, or other disasters natural or man-made, civil unrest, strikes, declared or undeclared war, or lack of performance by, or discontinued product of, supply chain partners whose products, software, operations or management is beyond the control of Bestop;
- Damage resulting in breakage (including without limitation, spontaneous breakage, accidental breakage or breakage by any other means) of a Product or any component part;
- Damage to vinyl windows due to misuse, or cracking due to varying weather conditions.

YOUR SOLE REMEDY

During the applicable warranty period, Bestop shall, at its option, either repair or replace any Product that it confirms, in its discretion, is non-compliant with the warranties herein. Bestop will not pay for labor charges associated with installation or removal of the Product. Should a specific Product be discontinued, Bestop may, at its option, replace the discontinued Product with a current product or like product.

Please retain your proof of purchase. Original proof of purchase for the Product must accompany any warranty claim. If you have a warranty claim, first you must email Bestop Customer Service at csbestop@bestop.com for instructions. All claims must be emailed to csbestop@bestop.com within 30 days of discovery of a defective Product, but in no event later than thirty days after the end of the applicable Warranty Period (the “Warranty Notice Period”). Warranty claims made after the Warranty Notice Period are null and void and Bestop shall have no responsibility with respect to such claims.

THIS SECTION SETS FORTH BESTOP’S SOLE OBLIGATION & YOUR SOLE REMEDY WITH RESPECT TO ANY DEFECTS OR OTHER PRODUCT ISSUE. ANY PRODUCTS REPLACED UNDER TERMS OF THIS WARRANTY WILL BE COVERED UNDER TERMS & BALANCE OF THE DURATION OF THE ORIGINAL LIMITED WARRANTY FOR SUCH PRODUCT.



Installation Instructions Modular Bumper - Rear

Vehicle Application:
Jeep® Wrangler 2-Door & Unlimited 2007-2017
Part Number 44940

COVERED PRODUCTS AND WARRANTY PERIODS: The warranty time periods are as follows for Products manufactured by Bestop:

BESTOP® LIMITED LIFETIME WARRANTY

Trektop® Pro Twill Fabric Top Sunrider® for Hardtop Twill Fabric Top
Trektop® NX Glide Twill Fabric Top Replace-a-Top™ Twill Fabric Top
Trektop® NX Twill Fabric Top Supertop® NX Twill Fabric Top
EZFold™ Soft Tonneaus Floor & Cargo Liners
ZipRail™ Soft Tonneaus Pet Barriers
EZRoll™ Soft Tonneaus

BESTOP® 5-YEAR LIMITED WARRANTY

Trektop® NX Glide™ Top (non-Twill) Sunrider® for Hardtop (non-Twill) Replace-a-Top™ Top (non-Twill) Trektop® NX Top (non-Twill)
Sailcloth Replace-a-Top™ Supertop® NX Top (non-Twill)
Tigertop™ and Halftop™ Supertop® Classic Soft Top Sunrider® Complete Soft Top Supertop® for Truck
EZ Fold Hard Tonneau

BESTOP® 3-YEAR/100K MILES LIMITED WARRANTY

Powerboard® & Powerboard® NX
Trekstep®, Side Mount
Trekstep®, Rear Mount

BESTOP® 3-YEAR LIMITED WARRANTY

Pavement Ends Sprint Top

BESTOP® 2-YEAR LIMITED WARRANTY

Trektop® Classic Soft Top
RoughRider™ Soft Storage

BESTOP® 1-YEAR LIMITED WARRANTY

All other Bestop® & Pavement Ends™ products not specified above.

For further information or request for warranty work, please contact:

Bestop Inc. Customer Service
Toll-Free: (800)845-3567
Main: (303)465-1755
E-mail: csbestop@Bestop.com
Website: www.Bestop.com