



Installation Instructions Bestop Rear Bumper

Vehicle Application:
Jeep® Wrangler 2-Door & Unlimited 2018-current
Part Number 44961

Installation Tips

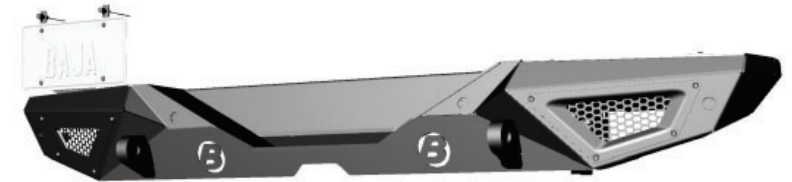
Before you begin installing your new Bestop Bumper, please read all the instructions thoroughly.

If you have purchased other Bumper accessories, read all instructions carefully, as you may have to assemble these optional accessories before installing this bumper on your vehicle.

WARNING The manufacturer strongly recommends that this product be professionally installed.



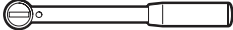



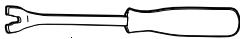
WARNING Failure to carefully follow the electrical installation steps could result in severe electrical shock which could harm the installer and/or damage the vehicle.


WARNING This product is designed primarily to enhance the appearance and comfort of the vehicle. Do not rely in any way on the components of this product to protect the occupants within the vehicle, or to protect against injury or death in the event of an accident. Never operate the vehicle in excess of manufacturer's specifications.



WEAR SEAT BELTS AT ALL TIMES

CAUTION Safety glasses should be worn at all times when installing this product.

Tools		
 Safety Glasses	 Socket Wrench	 Torque Wrench
 2.5-4-5mm Allen Key or HexTool (Provided)	 10mm - 16mm - 18mm Wrenches	 8mm - 13mm - 16mm - 17mm - 18mm - 21mm (or 13/16") sockets
	 Panel Removal Tool	

Installation Time
 1-1/2 hours
Skill Level
<div style="display: flex; justify-content: space-around; align-items: center;"> <div style="border: 1px solid black; border-radius: 50%; width: 30px; height: 30px; display: flex; align-items: center; justify-content: center;">1</div> <div style="border: 1px solid black; border-radius: 50%; width: 30px; height: 30px; display: flex; align-items: center; justify-content: center;">2</div> <div style="border: 2px solid black; border-radius: 50%; width: 30px; height: 30px; display: flex; align-items: center; justify-content: center;">3</div> <div style="border: 1px solid black; border-radius: 50%; width: 30px; height: 30px; display: flex; align-items: center; justify-content: center;">4</div> </div> <p>3 - Moderately Diffi-</p>

Support
<p>We're here to help! Go to: https://www.bestop.com and click on Need Help?</p>

https://www.bestop.com/video-library

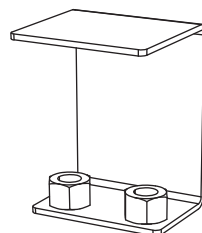
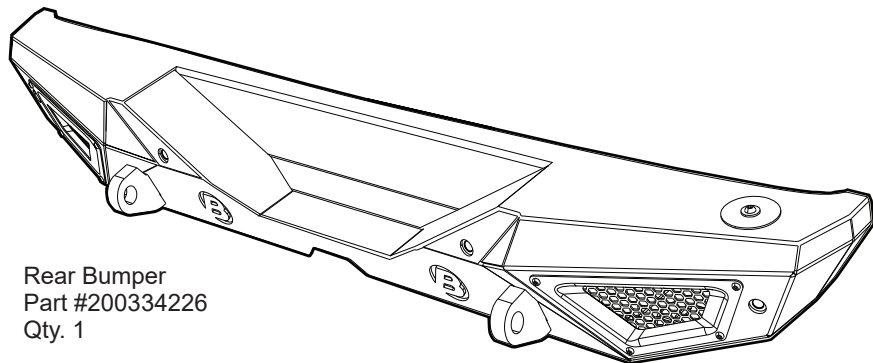


Installation Instructions Bestop Rear Bumper

Vehicle Application:
Jeep® Wrangler 2-Door & Unlimited 2018-current
Part Number 44961

Parts List

Sections 2 Attach Brackets; Attach Bumper; Cap Holes Pages 5 to 7 of



Frame Insert Parts Bundle

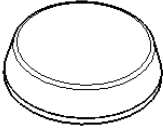

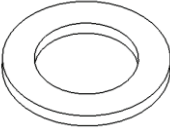
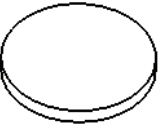
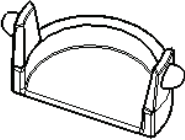



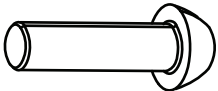





Installation Instructions Bestop Rear Bumper

Vehicle Application:
Jeep® Wrangler 2-Door & Unlimited 2018-current
Part Number 44961

Parts List

Sections 3		Parking Sensor Block-Out Plug Kit				Pages 11 to 15 of Guide	
Parking Sensor Parts Bundle							
							
19mm Rubber Bumper Part #200215571 Qty. 6	Sensor Plug Part #200159220 Qty. 4	Adhesive Tape Ring Part# 200247143 Qty: 4	Adhesive Pad Part #200241029 Qty. 4	Sensor Retaining Ring Part #200240603 Qty. 4	M4 x 10mm Allen Part #3006560 Qty. 8		

Sections 3		Attach Plate Brackets; Attach LED lights		Pages 11 to 15 of Guide	
Plate Holder Parts Bundle					
					
M8 x25mm Bolt Part #3000786 Qty. 2	M8 Lockwasher Part #3000147 Qty. 2	M8 Flat Washer Part #3000303 Qty. 2	M8 Flange Nut Part #3001577 Qty. 2		

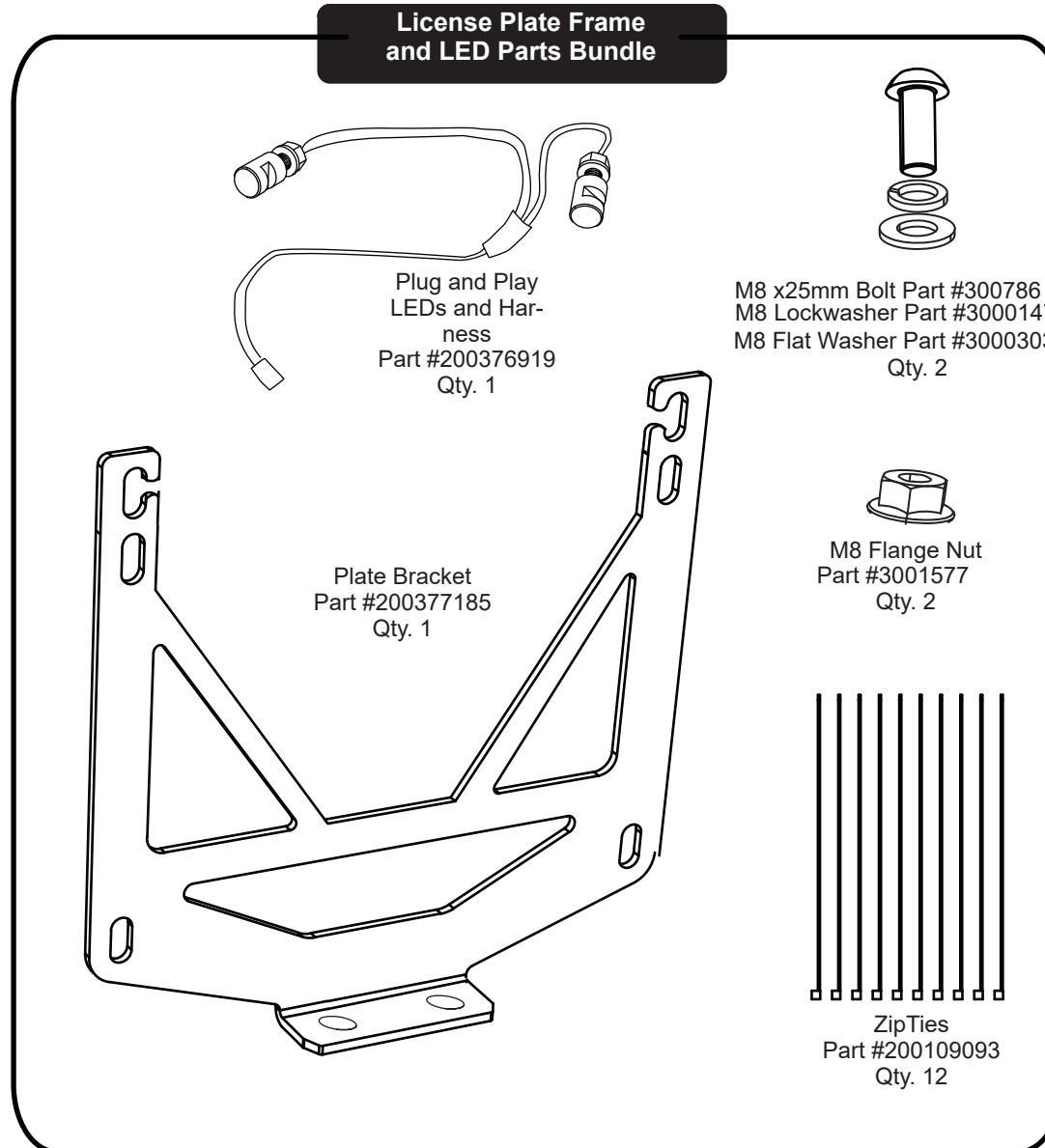


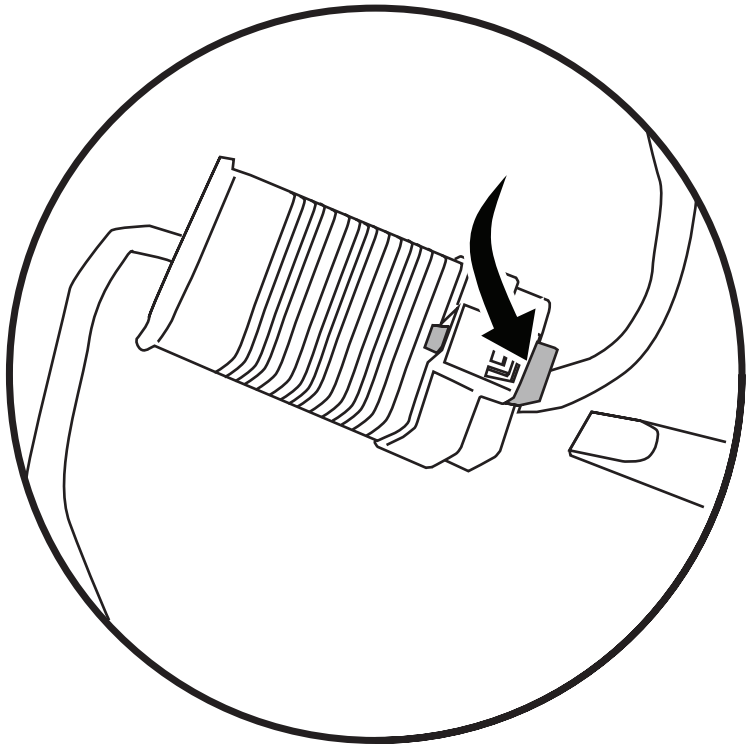
Installation Instructions Bestop Rear Bumper

Vehicle Application:
Jeep® Wrangler 2-Door & Unlimited 2018-current
Part Number 44961

Sections 3 to 4 Attach Plate Brackets; Attach LED lights

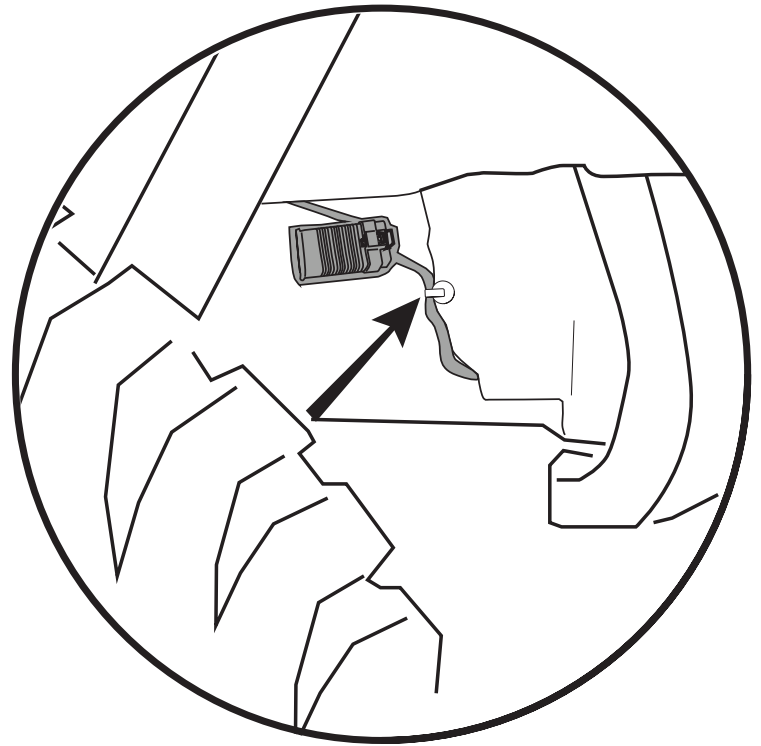
Pages 11 to 15 of Guide





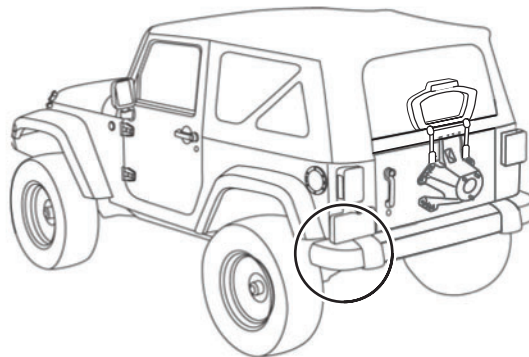
Step 1

Disconnect the rear bumper harness connector by sliding the gray locking tab, and depressing the black tab while you pull apart the connector.

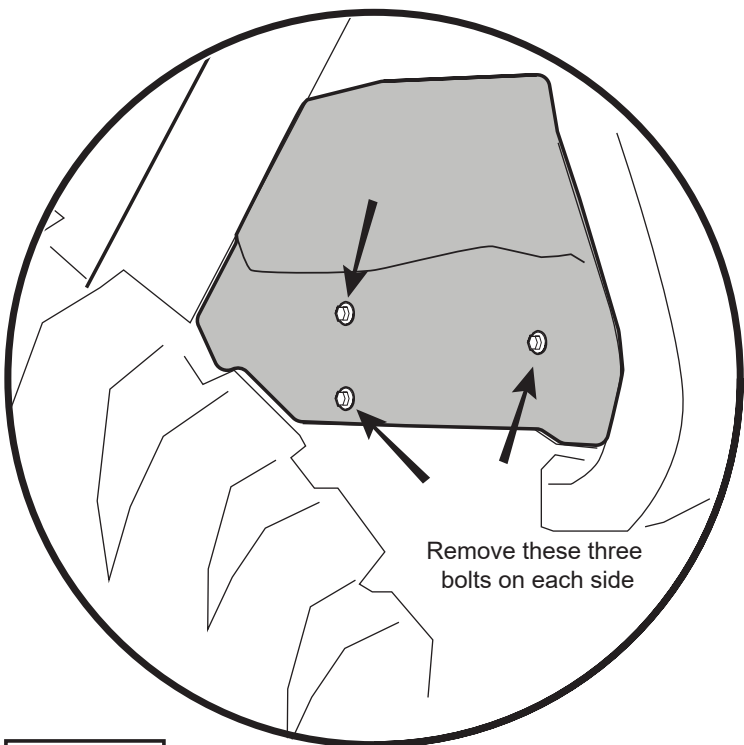
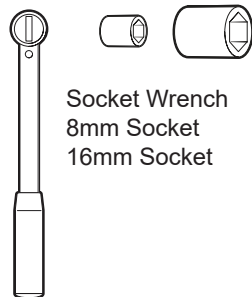


Step 2

Use a panel tool to remove the harness anchor attachment where the harness anchor is in the body sheetmetal under the fender trim.



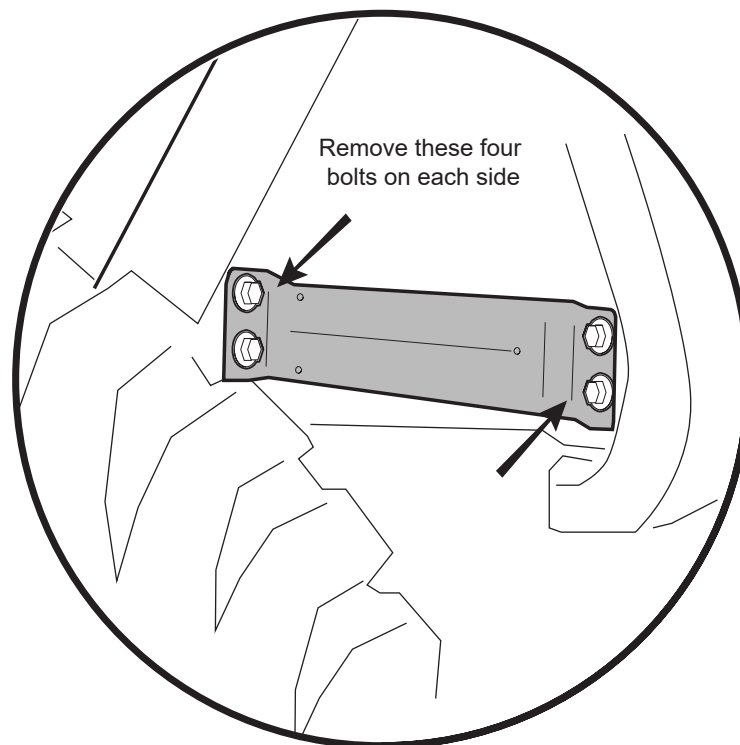
Tools



Step 1

Use a socket wrench with a 8mm socket to remove the three (3) bolts on each side of the factory bumper that attach the Splash Guards to the bumper fender trim.

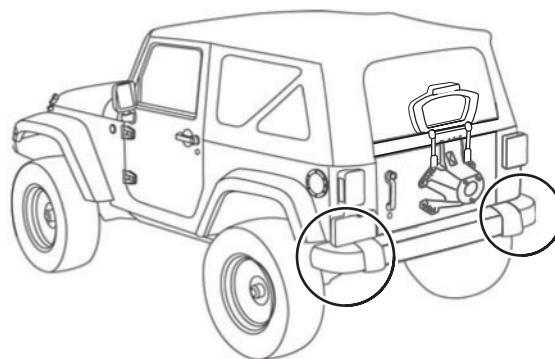
Repeat on both sides.

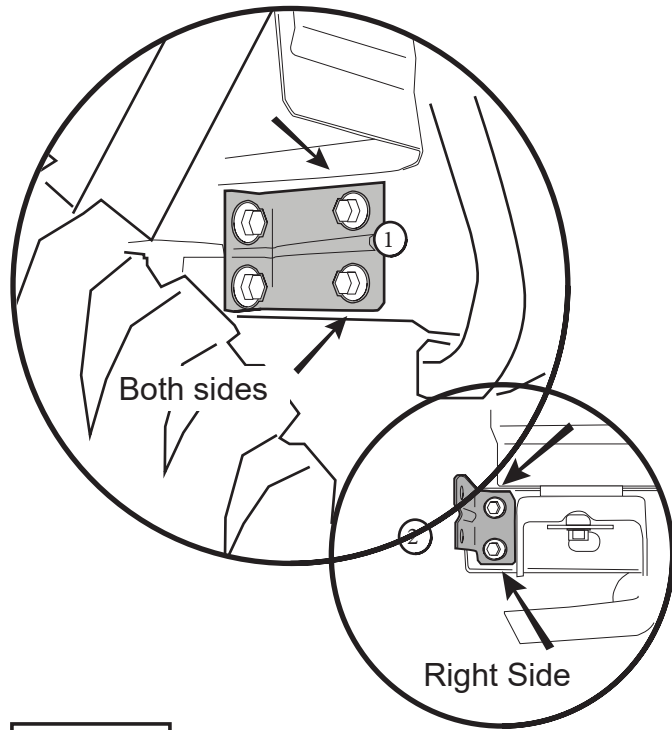


Step 2

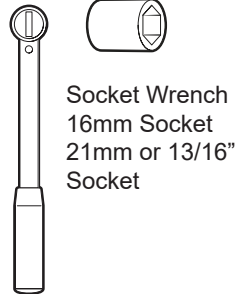
Use a socket wrench with a 16mm socket to remove all four (4) bolts holding the Side Brackets between the frame and the bumper.

Repeat on both sides.

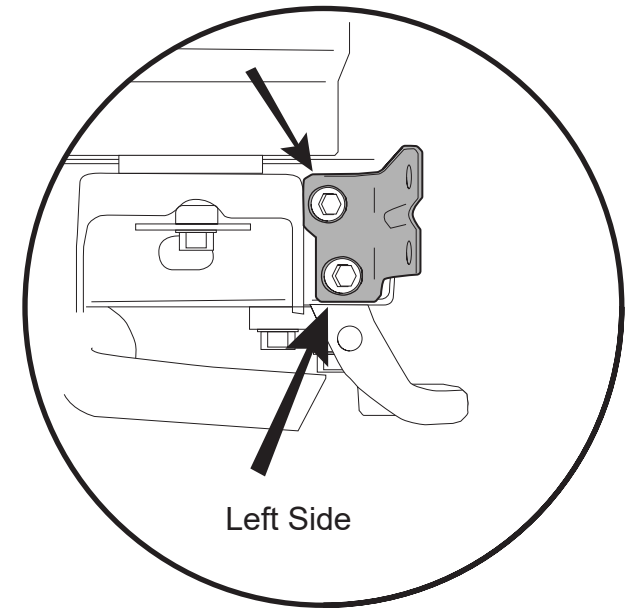




Tools



Socket Wrench
16mm Socket
21mm or 13/16"
Socket



Step 1

① Use a socket wrench with a 16mm socket to remove the two (2) bolts into the rear of the factory bumper. Leave the bracket on the frame. Perform this on both L and R sides of the vehicle. Now you can remove the bumper.

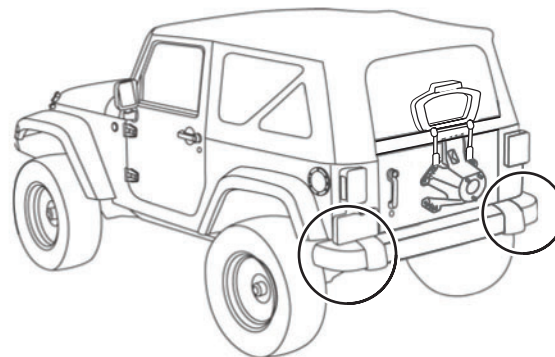
② On the Right side of the vehicle, use a socket wrench with a 21mm socket to remove the last two (2) bolts Holding the factory bumper bracket. Now you can remove the bracket.

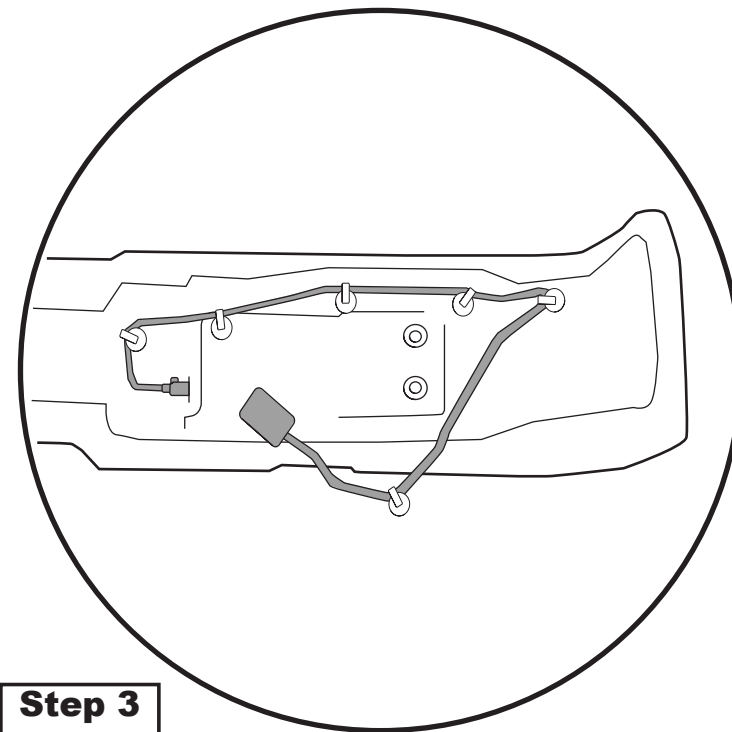
Step 2

On the Left side of the vehicle, you are NOT going to remove the OEM Tow Hook.

Use a socket wrench with a 21mm socket to remove only the two (2) bolts that secure the bumper bracket.

Leave the two lower bolts in place, keeping the OEM Tow Hook secured in place.





Step 1

CAUTION

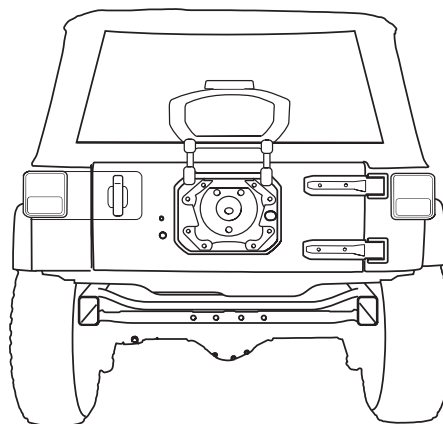
Two people may be required to lift the factory bumper safely.

Position a person at either end of the factory bumper and lift it away from the vehicle.

Set the factory bumper aside.

Step 2

If you are installing a tow hitch, you should install it now.

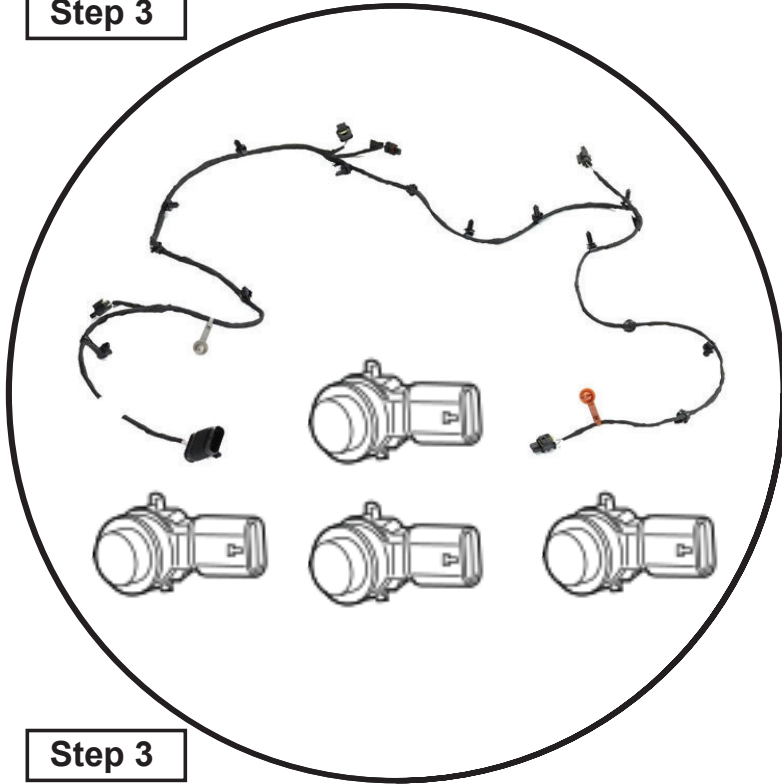


Step 3

Now that the old OEM bumper is removed, use a panel tool to remove the License Plate light harness.

You do not need to remove and reuse the OEM plate light, but it is recommended to remove and retain the lamp assembly.

If your vehicle has Driver Assist Tech, such as parking sensors, continue to remove the Bumper Parking sensor Harness and carefully remove the sensors. Use OEM recommended service methods for removing these sensors.

Step 3**Step 3****! WARNING**

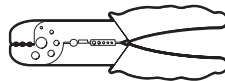
Note the Orientation of all the sensors, You will need to place them into the new bumper in the same manor. Remove all Parking and Driver assistance sensors and harnesses per dealership or vehicle manufacture service manuals. Take care with these components.

This step is difficult. You must be careful to not damage the OEM bumpers wire harness. From the back side of the factory bumper, use a panel tool to remove the plastic bumper fascia attachments.

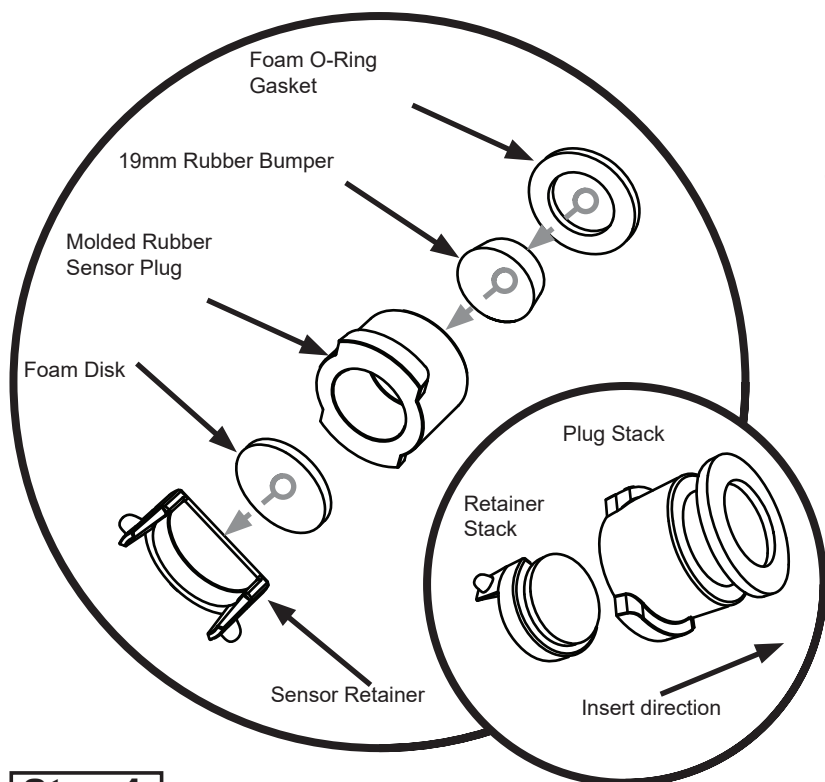
OR - you may want to call your local Jeep Dealership to order the factory OEM rear bumper plate light wire harness:
Mopar Part Or Rear bumper sensor and light combo harness:
Mopar Part # 68351000-AC

Tools

2.5mm
Allen Hex



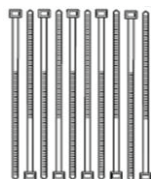
Wire Stripper-
Crimper



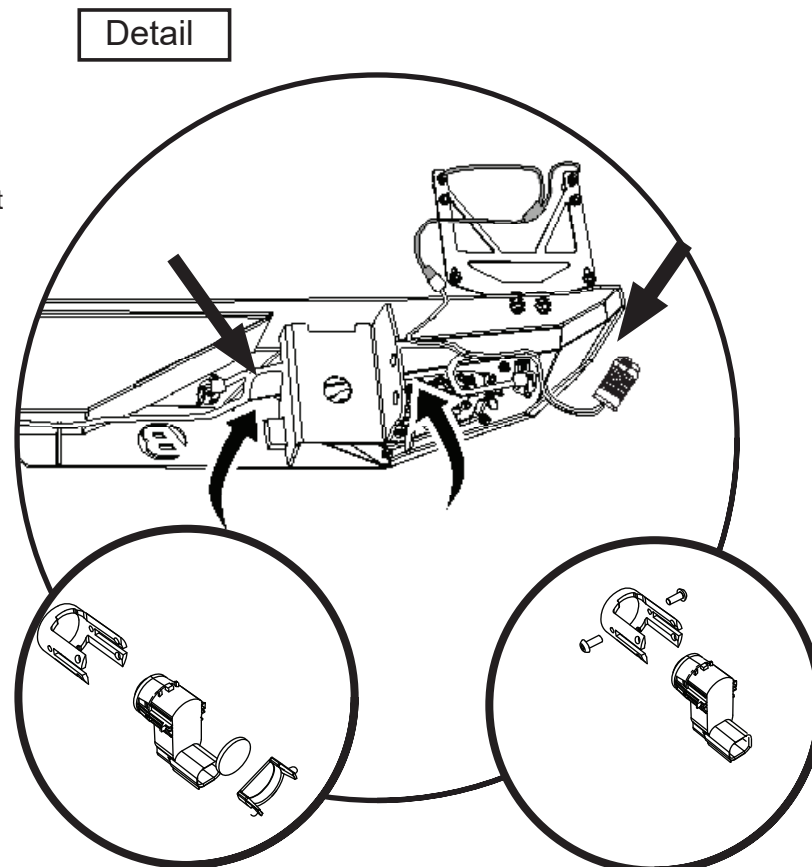
Hardware



4mm x 10mm Allen Bolt
Part # 3000690
Qty 8



ZipTie
Part # 200109093
Qty 12



Step 1

Stick the Adhesive Foam Disk (200247143) onto the Plastic Sensor Retainer (200240603). Set those aside.

Apply the 19mm Rubber tapered bumper (200215571) to the Molded Rubber Sensor Plug (200159220) as shown. Apply the Adhesive backed Foam Tape Ring (200247143) to the small tapered side bumper as shown above.

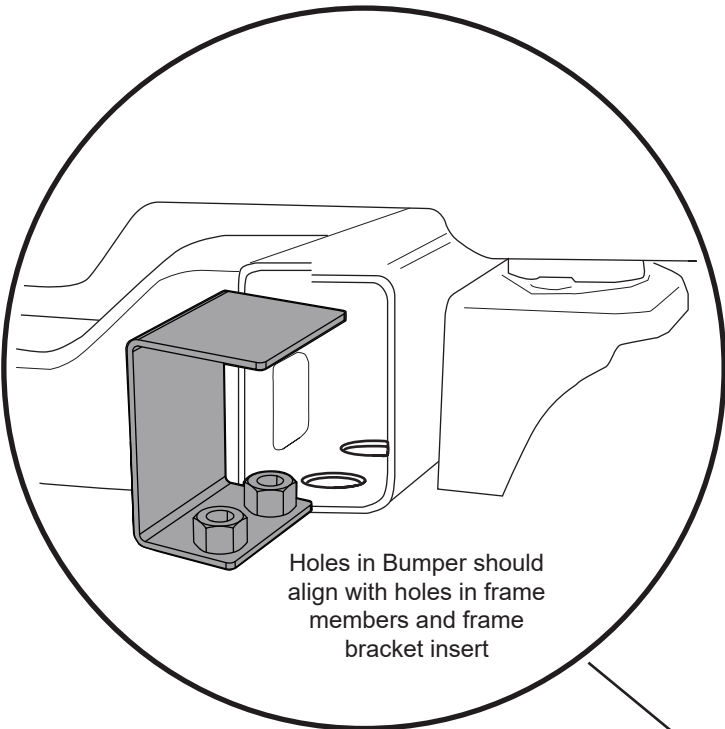
Insert these into the 6 sensor holes and shown.

If your vehicle was equip with Driver Park Assist Rear sensors; install the previously removed sensors from your OEM bumper in the same orientation they came out.

Install the sensors as shown with the Plastic Retainer (200240603) with Adhesive Foam Disc (200247143), clipping into the Bestop bumper socket receiver.

Bestop recommends using the M4 bolts(#3000690) for the best method or securing the sensors. Use the 2.5mm hex tool on the 4mm bolts. **Torque to 4 Ft/Lb.** Take care not to over tighten.

Properly bundle, wrap, protect, anchor and Zip-tie (#200109093) the harness as needed.



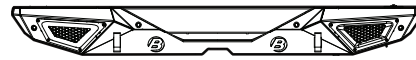
Holes in Bumper should align with holes in frame members and frame bracket insert

NOTE: Make sure to place this part into the frame rail as shown. You could also start one of the bolts to help keep this from moving

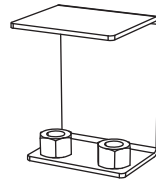
Step 1

Slide the Bumper Part #200266155 inside the vehicle frame member as shown. Making sure to align the holes in the bumper with the holes in the frame members and the holes in the Frame Brackets.

Hardware

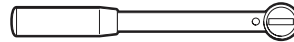


Rear Bumper
Part #200334226
Qty. 1

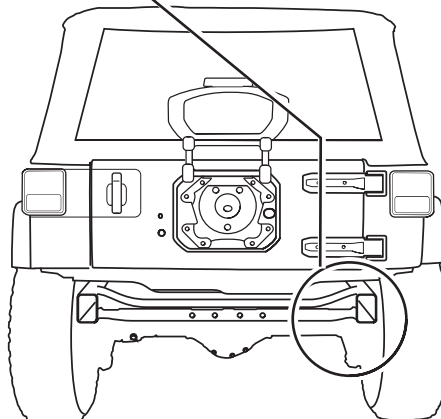


Frame Bracket - Right
Part #200266155
Qty. 1

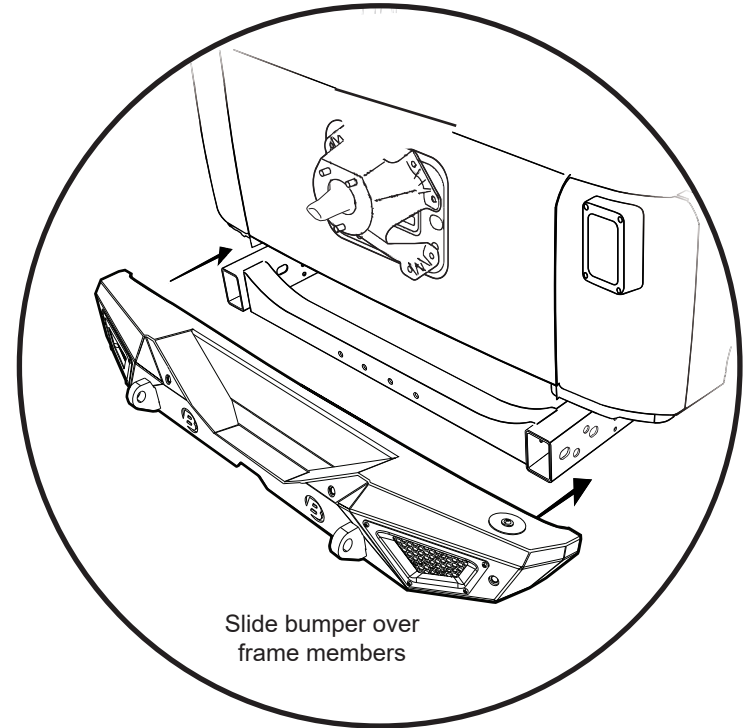
Tools



Socket wrench and 21mm or 13/16" socket



Note: If you are going to install the license plate frame, skip to page 13, 14.

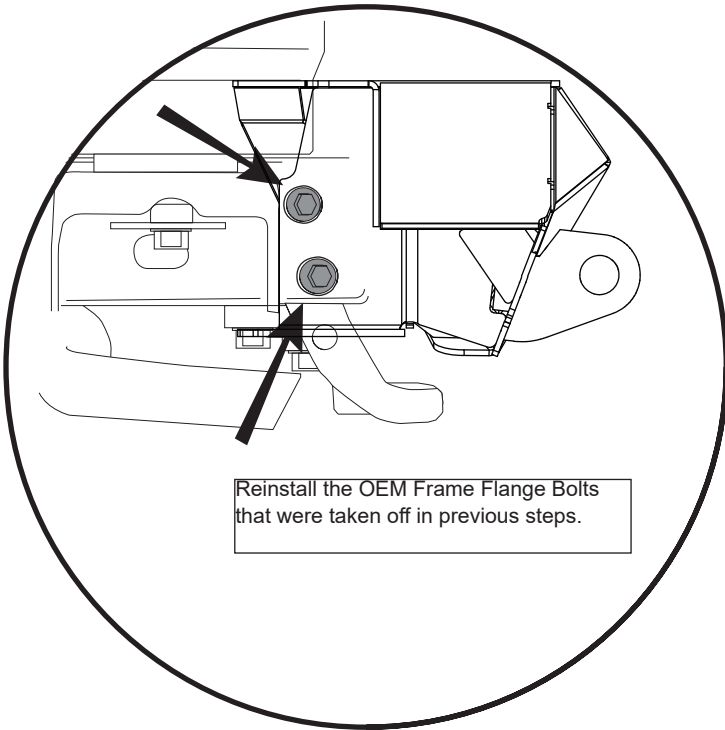


Slide bumper over frame members

Step 2

With assistance from another person, or with the aid of a hoist device, carefully position the new Bestop Rear Bumper onto the frame locations, and align the OEM frame holes, with the holes on the new bumper.





Step 3

Reinstall the OEM bumper Flange Bolts that go into the sides of the frame, which were taken off in previous steps. Keep these loose until all bolts in Step2 are in place.

Hardware



Rear Bumper
Part #200334226
Qty. 1



M14x55mm Bolt
Part #3003148
Qty. 2

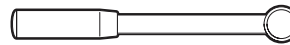


M14 Lockwasher
Part #3000180
Qty. 2

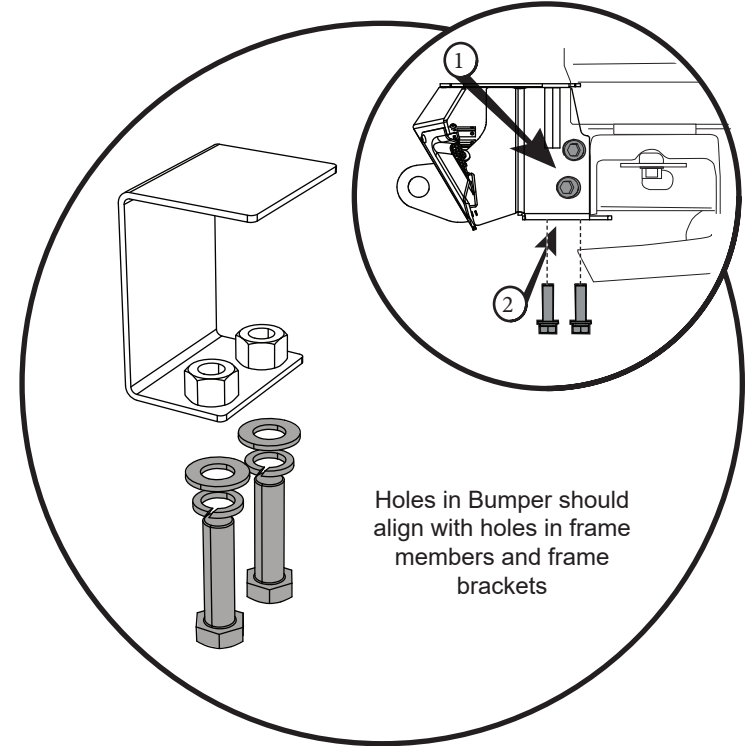
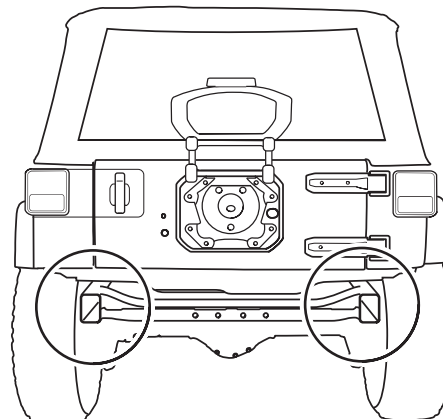


M14 Flat Washer
Part #3000340
Qty. 2

Tools



Socket wrench
and 21mm
or 13/16" socket

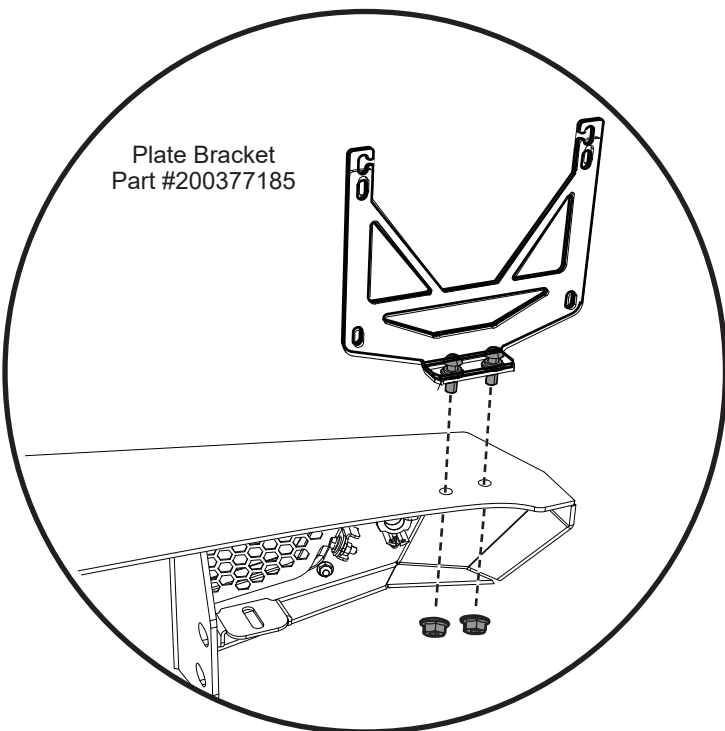


Holes in Bumper should align with holes in frame members and frame brackets

Step 4

① Start all the screws on the Right side. insert two (2) M14x55 Bolts (#3003148) and two (2) M14 Lock washers (#3000180), and two (2) M14 Flat washers (#3000340) to the previously inserted Bracket (#200266155)

② Once all six (6) of the bolts are started in position;
Torque to 112 ft/lb (150 Nm)



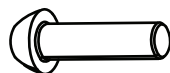
NOTE:
The Plate Bracket and the bumper mounting holes have some adjust-ability designed into them. Use this to position the plate and verify the clearance to the swing-gate rear door.

Step 1

Install the License Plate Frame to the bumper Using two (2) M8x25mm bolts (3000786), two (2) M8 Lock washers (3000147), two (2) M8 Flat Washer (3000303), and two (2) M8 flange nuts (3001577) on the underside of the bumper.

Torque to 18 ft/lb (25 Nm)

Hardware



M8 x 25mm Bolt
Part #3000786 Qty. 2



M8 Lockwasher
Part #3000147 Qty. 2

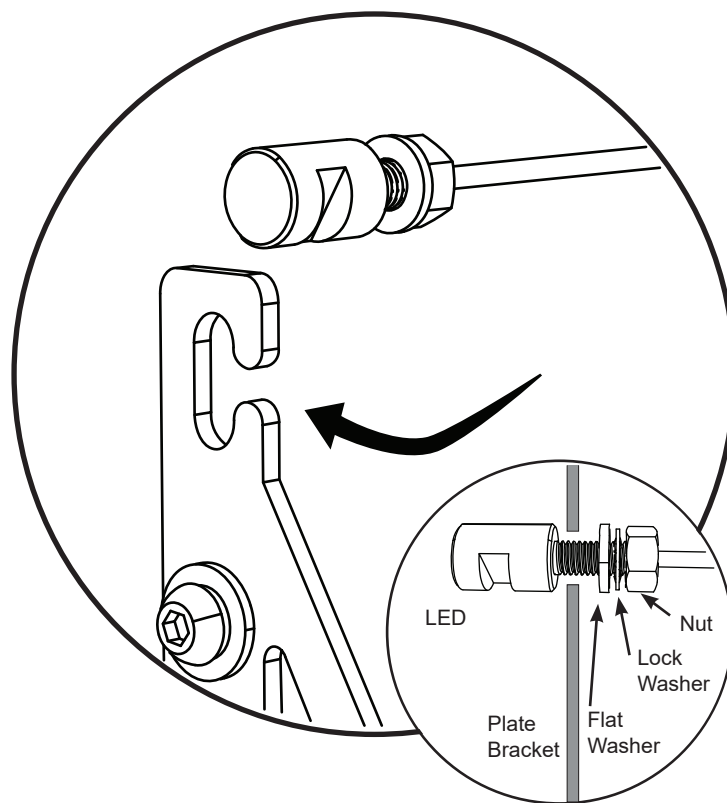
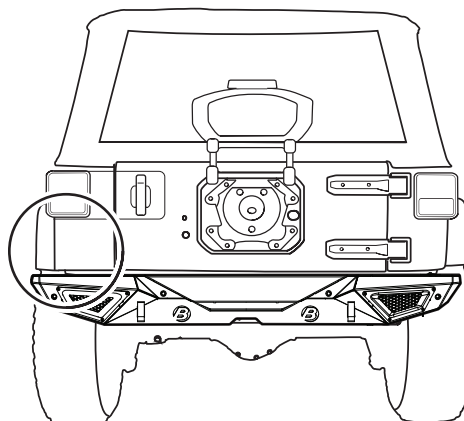
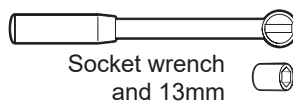


M8 Flat Washer
Part #3000303 Qty. 2



M8 Flange Nut
Part #3001577
Qty. 2

Tools

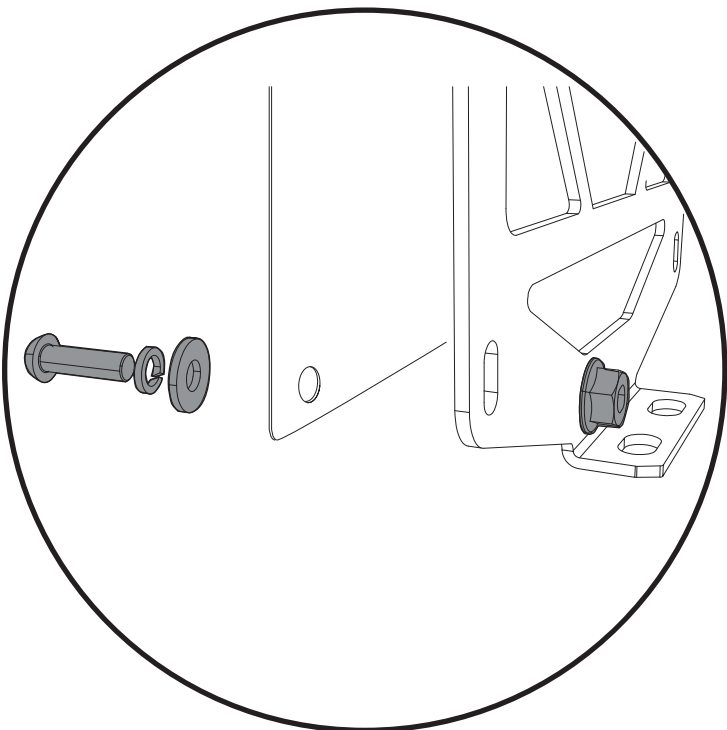


Step 2

Install the LEDs light assembly (200376919) into the slots of the Plate Bracket as shown, and adjust as you see fit to maximize the lighting onto your vehicles license plate.

Once the lighting is adjusted properly, make sure to tighten the nut on the LEDs with a 10mm open ended wrench.

Torque to about 7 ft/lb (10 Nm)



Step 3

Install your license plate with the four (4) Combo Bolts (3006267) and four (4) flange nuts (3001569) with the 4mm Hex and 13mm socket.

Hardware



M6 x20mm
Combo Bolt
Part #3006267
Qty. 4

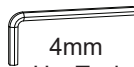


M6 Flange Nut
Part #3001569
Qty. 4

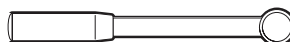
Tools



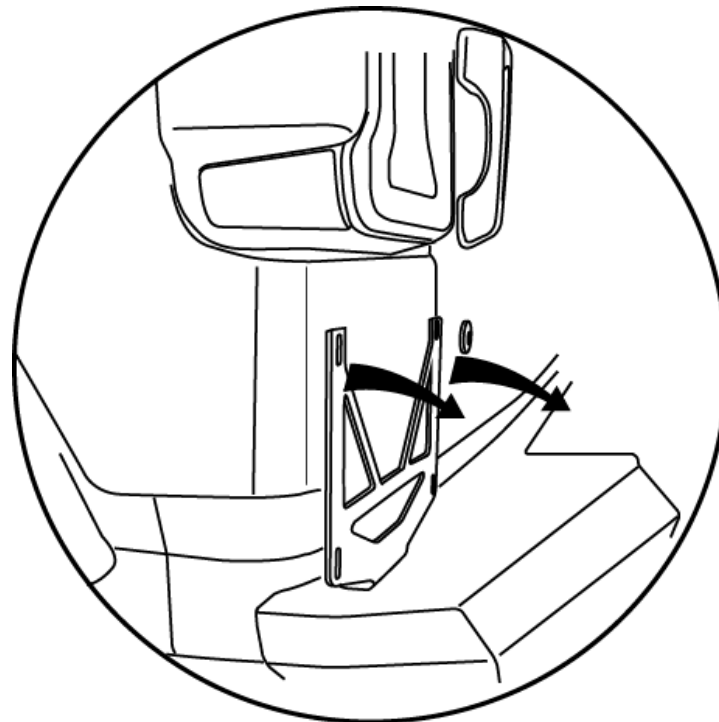
13mm
Wrench



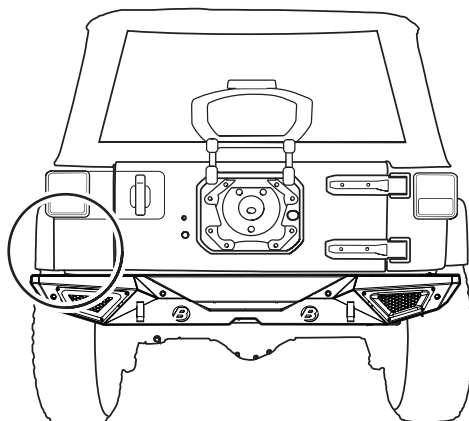
4mm
HexTool



Socket wrench
and 13mm socket



NOTE: Be sure the license plate bracket is parallel with the body to be sure the fasteners do not damage the body. It may be necessary to bend the upper tabs on the license plate bracket to rearward to be parallel with the body.





Installation Instructions Bestop Rear Bumper

Vehicle Application:
Jeep® Wrangler 2-Door & Unlimited 2018-current
Part Number 44961

WHAT BESTOP WARRANTS

Subject to the terms and conditions of sale, including any terms and conditions set forth by Bestop, Inc. (“Bestop” or “us” or “we”) in our then-current terms of sale on our website (collectively, the “Terms”), Bestop represents and warrants that: the covered products listed in the “Covered Products and Warranty Periods” section (a “Product”) will substantially be free from defects in materials and workmanship for the specified warranty periods set forth in that section.

THE WARRANTY IS LIMITED AND CONDITIONAL

This warranty applies to the original purchaser of the Product only. The warranty is valid only as long as the original retail purchaser owns the vehicle upon which the Product is installed. The warranty expires should the Product be removed from the original vehicle or if the original vehicle is transferred to another owner. This warranty is not transferable or assignable. The warranty does not apply to Product bought from auction-style or price-bid websites.

THE LIMITED WARRANTY AND STATED REMEDIES ARE SOLE AND EXCLUSIVE AND IN LIEU OF ALL OTHER WARRANTIES AND REMEDIES, AND COMPANY EXPRESSLY DISCLAIMS ALL IMPLIED OR STATUTORY OR OTHER WARRANTIES, INCLUDING WITHOUT LIMITATIONS WARRANTIES OF MERCHANTABILITY, NON-INFRINGEMENT OR FITNESS FOR A PARTICULAR PURPOSE. IN NO EVENT WILL COMPANY BE LIABLE FOR ANY SPECIAL, INCIDENTAL, CONSEQUENTIAL, PUNITIVE, INDIRECT OR EXEMPLARY DAMAGES OF ANY KIND, INCLUDING LOST PROFITS OR REVENUE, HOWEVER CAUSED, WHETHER FOR BREACH OR REPUDIATION OF CONTRACT, TORT, BREACH OF WARRANTY, NEGLIGENCE, OR OTHERWISE, WHETHER OR NOT COMPANY WAS ADVISED OF THE POSSIBILITY OF SUCH LOSS OR DAMAGES.

Some states do not allow exclusion or limitation, so this may not apply to you. This warranty gives you specific legal rights, and you may have other rights which vary from state to state.

EXCLUSIONS TO THE WARRANTY

The Limited Warranty excludes, and Bestop is not liable in any way for any warranty claims, damages, or defects related to:

- Misuse, abuse, accidents, vandalism, negligence, fire, or improper installation or modification, or improper or inadequate maintenance;
- Failure to comply with any Product documentation, Bestop instructions, or applicable law or regulations; use in extreme conditions
- Force Majeure including but not limited to, earthquake, hurricane, tornado, flooding, or other disasters natural or man-made, civil unrest, strikes, declared or undeclared war, or lack of performance by, or discontinued product of, supply chain partners whose products, software, operations or management is beyond the control of Bestop;
- Damage resulting in breakage (including without limitation, spontaneous breakage, accidental breakage or breakage by any other means) of a Product or any component part;
- Damage to vinyl windows due to misuse, or cracking due to varying weather conditions.

YOUR SOLE REMEDY

During the applicable warranty period, Bestop shall, at its option, either repair or replace any Product that it confirms, in its discretion, is non-compliant with the warranties herein. Bestop will not pay for labor charges associated with installation or removal of the Product. Should a specific Product be discontinued, Bestop may, at its option, replace the discontinued Product with a current product or like product.

Please retain your proof of purchase. Original proof of purchase for the Product must accompany any warranty claim. If you have a warranty claim, first you must email Bestop Customer Service at csbestop@bestop.com for instructions. All claims must be emailed to csbestop@bestop.com within 30 days of discovery of a defective Product, but in no event later than thirty days after the end of the applicable Warranty Period (the “Warranty Notice Period”). Warranty claims made after the Warranty Notice Period are null and void and Bestop shall have no responsibility with respect to such claims.

THIS SECTION SETS FORTH BESTOP'S SOLE OBLIGATION & YOUR SOLE REMEDY WITH RESPECT TO ANY DEFECTS OR OTHER PRODUCT ISSUE. ANY PRODUCTS REPLACED UNDER TERMS OF THIS WARRANTY WILL BE COVERED UNDER TERMS & BALANCE OF THE DURATION OF THE ORIGINAL LIMITED WARRANTY FOR SUCH PRODUCT.



Installation Instructions Bestop Rear Bumper

Vehicle Application:
Jeep® Wrangler 2-Door & Unlimited 2018-current
Part Number 44961

COVERED PRODUCTS AND WARRANTY PERIODS: The warranty time periods are as follows for Products manufactured by Bestop:

BESTOP® LIMITED LIFETIME WARRANTY

Trektop® Pro Twill Fabric Top Sunrider® for Hardtop Twill Fabric Top
Trektop® NX Glide Twill Fabric Top Replace-a-Top™ Twill Fabric Top
Trektop® NX Twill Fabric Top Supertop® NX Twill Fabric Top
EZFold™ Soft Tonneaus Floor & Cargo Liners
ZipRail™ Soft Tonneaus Pet Barriers
EZRoll™ Soft Tonneaus

BESTOP® 5-YEAR LIMITED WARRANTY

Trektop® NX Glide™ Top (non-Twill) Sunrider® for Hardtop (non-Twill) Replace-a-Top™ Top (non-Twill) Trektop® NX Top (non-Twill)
Sailcloth Replace-a-Top™ Supertop® NX Top (non-Twill)
Tigertop™ and Halftop™ Supertop® Classic Soft Top Sunrider® Complete Soft Top Supertop® for Truck
EZ Fold Hard Tonneau

BESTOP® 3-YEAR/100K MILES LIMITED WARRANTY

Powerboard® & Powerboard® NX
Trekstep®, Side Mount
Trekstep®, Rear Mount

BESTOP® 3-YEAR LIMITED WARRANTY

Pavement Ends Sprint Top

BESTOP® 2-YEAR LIMITED WARRANTY

Trektop® Classic Soft Top
RoughRider™ Soft Storage

BESTOP® 1-YEAR LIMITED WARRANTY

All other Bestop® & Pavement Ends™ products not specified above.

For further information or request for warranty work, please contact:

Bestop Inc. Customer Service
Toll-Free: (800)845-3567
E-mail: csbestop@Bestop.com
Website: www.Bestop.com