





Installation Instructions





HighRock 4x4™ Element™ Enclosure Kit

Vehicle Application

- Jeep CJ7 1976-1986
- Wrangler YJ 1986-1995
- Wrangler TJ 1997-2006
- Part Number: 51792

www.Bestop.com - We're here to help! Visit our web site and click on "[Ask a Question](#)". Click here for more [Jeep Accessories by Bestop](#).

INSTALLATION TIME	SKILL LEVEL
 1/2 Hour	 1 - Easy

TOOLS			
 Safety Glasses	 Phillips Screwdriver	 Wrench 7/16" and 3/8"	 Scissors





Installation Tips

Before you begin installing this assembly, read all instructions thoroughly.

For a smooth fit:

For ease in installation, the product should be installed at temperatures above 72° F. Below this temperature, the fabric may contract an inch or more, making it difficult to fit to the vehicle. It is normal for fabric to contract and wrinkle when stored in the shipping carton. Within a few days after the installation, the fabric will relax and the wrinkles will disappear.

 **CAUTION** Safety glasses should be worn at all times while installing this product.

 **WARNING** This product is designed primarily to enhance the appearance of the vehicle and to shield the occupants from ordinary weather conditions. Do not rely in any way on the components of this product to contain occupants within the vehicle, or to protect against injury or death in the event of an accident. This product will not protect the occupants from falling objects. Never operate the vehicle in excess of manufacturer's specifications.

WEAR SEAT BELTS AT ALL TIMES

Read and follow, precisely, all installation instructions provided when installing product. Failure to do so may result in a poor fit and could place occupants of the vehicle in a potentially dangerous situation.

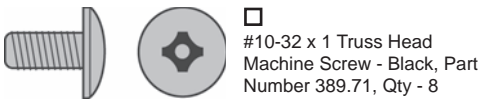
HighRock 4x4™ Element™ Enclosure Kit – Installation Instructions

Parts List

Right Door Enclosure, Part Number 422.04 Qty - 1
 Left Door Enclosure, Part Number 422.11 Qty - 1
 Foam Tape, Part Number 449.09 Qty - 1



Enclosure Seal, Part Number 445.84, Qty - 1

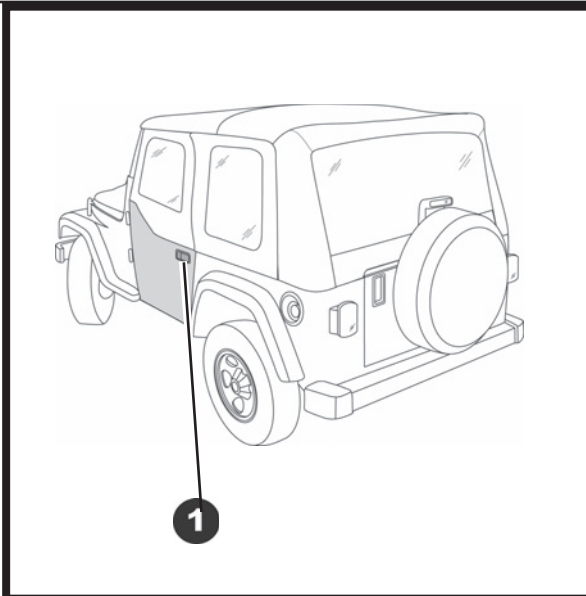
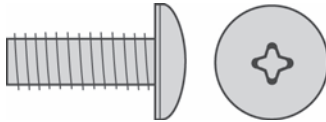


#10-32 x 1 Truss Head Machine Screw - Black, Part Number 389.71, Qty - 8



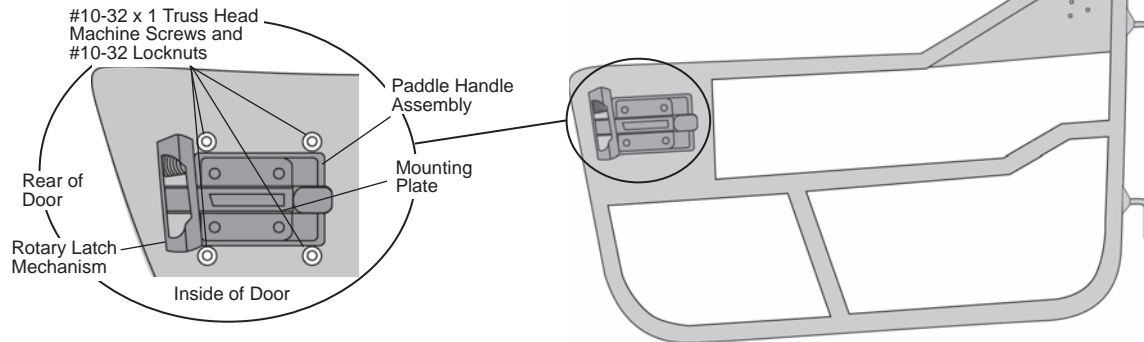
#10-32 Low Profile Nut - Black, Part Number 316.94, Qty - 8

1/4-20 Truss Head Machine Screw, Part Number 257.92, Qty - 6



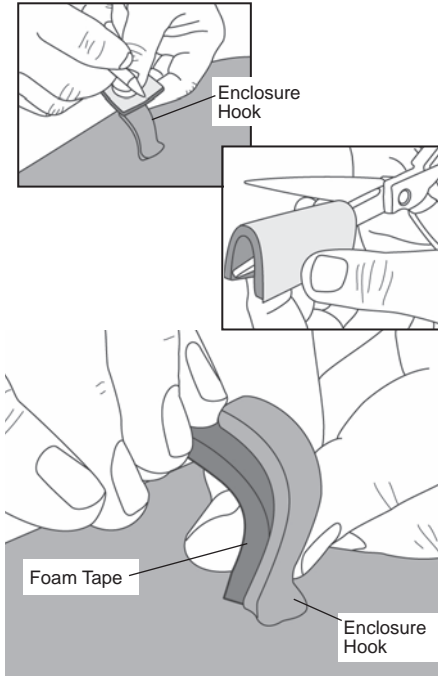
1 Remove Paddle Handle

Remove the four #10-32 x 1 Truss Head Machine Screws and Locknuts. Remove the Paddle Handle from the door.



2 Install Foam Tape on Enclosure Hooks

Cut the Foam Tape to fit the hooks on the Enclosure. Peel the backing off a piece and press it firmly into the curve of the hook. Repeat for all hooks on both Door Enclosures.

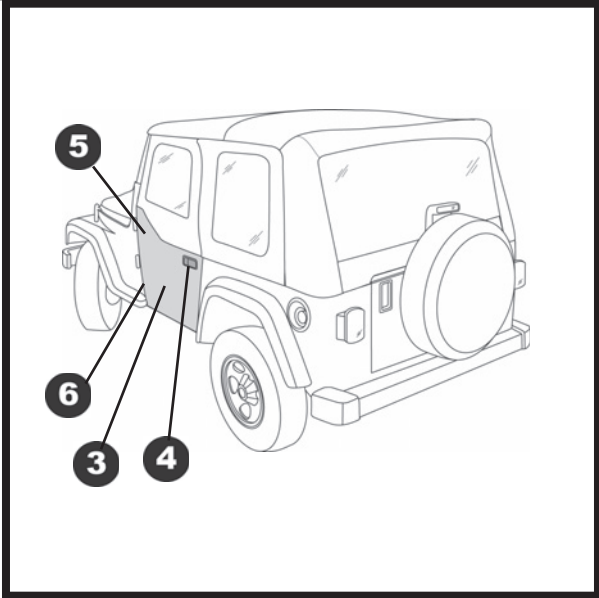
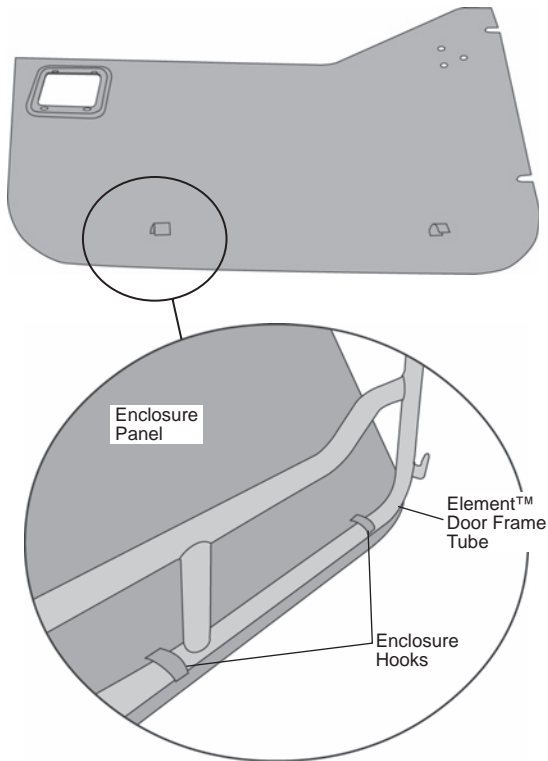


HighRock 4x4™ Element™ Enclosure Kit – Installation Instructions

3 Install Enclosure Panel

Engage hooks onto Element Door Tube frame and pivot into position. Make sure that the hooks are fully seated onto the tube. Align paddle latch, and mirror holes.

NOTE Make sure to install the Element Door Sport Bag with the pockets toward the inside of the vehicle when using both the Enclosure and the Sport Bag.



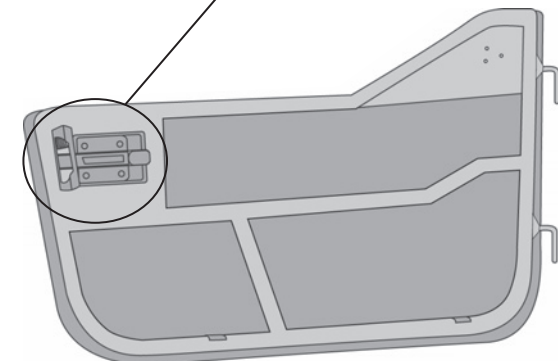
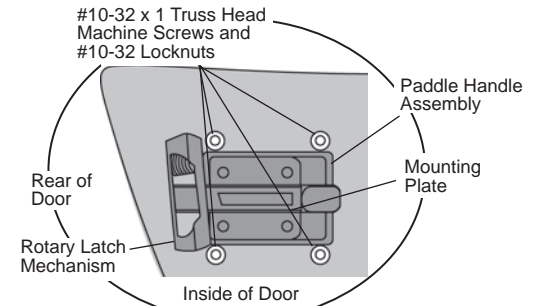
! WARNING It is important that the Paddle Handle must align correctly with the automobile manufacturer's original equipment steel latch pin located on the vehicle. Failure to properly install the paddle handle may result in the door accidentally opening. **IMPROPER CLOSURE COULD RESULT IN SERIOUS INJURY OR DEATH TO THE OCCUPANTS. WEAR SEAT BELTS AT ALL TIMES. DRIVE CAREFULLY.**

! WARNING The Element Door System is equipped for protection against the elements. The door will not contain occupants during an accident. Wear Seatbelts at all times

IMPORTANT: You should check alignment of the Paddle Handle to the steel latch pin before tightening the screws. If out of alignment, align and retighten the screws securely. Repeat for both lower doors. If more adjustment is needed, adjust the vehicle's door striker.

4 Reinstall Paddle Handle

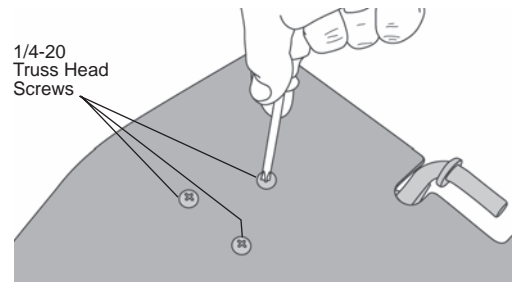
Insert the Paddle Handle into the mounting plate so that the latch mechanism is inside of the vehicle and the Rotary Latch Mechanism is toward the rear of the door. Align the four holes in the Paddle Handle Assembly with the four holes in the mounting plate. Insert the four #10-32 x 1 Truss Head Machine Screws found in this kit from the outside and secure them with #10-32 Locknuts found in this kit. Do not tighten the screws until all four are in place.



HighRock 4x4™ Element™ Enclosure Kit – Installation Instructions

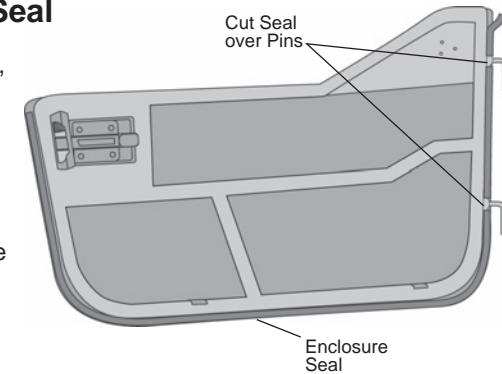
5 Secure Enclosure

Secure the Enclosure Kit with three (3) 1/4-20 Truss Head Screws. The Enclosure can also be secured by removing OE mirrors from OE doors and installing them on the Element Doors. You can also use Bestop aftermarket mirror part number 5126101 for this application.



6 Install Enclosure Seal

Once Enclosure panel is in place, install the Enclosure Seal. Peel off the adhesive tape on one end of the seal and press it onto the inside top back corner of the Enclosure panel. Work towards the front of the door aligning the seal to the outer most edge of the Enclosure panel and peeling off the backing tape as you go. Trim the excess seal on the ends and cut the seal where it is over the door pins.



LIMITED WARRANTY

We warrant our product to be free from defects in material and workmanship, for the terms specified below, provided there has been normal use and proper maintenance. This warranty applies to the original purchaser only. All remedies under this warranty are limited to the repair or replacement of any item or items found by the factory to be defective within the time period specified. If you have a warranty claim, first you must call our factory at the number below for instructions. You must retain proof of purchase and submit a copy with any items returned for warranty work. Upon completion of warranty work, if any, we will return the repaired or replaced item or items to you freight prepaid. Damage to our products caused by accidents, fire, vandalism, negligence, misinstallation, misuse, Acts of God, or by defective parts not manufactured by us, is not covered under this warranty.

THE WARRANTY TIME PERIOD IS AS FOLLOWS FOR REPLACE-A-TOP™, SAILCLOTH REPLACE-A-TOP™, SUPERTOP®, SUPERTOP® REPLACEMENT SKINS, SUNRIDER®, AND TIGERTOP®: TWO YEARS FROM DATE OF PURCHASE.

THE WARRANTY TIME PERIOD IS AS FOLLOWS FOR ALL OTHER "SOFT GOODS" MANUFACTURED BY OUR COMPANY (USING PRIMARILY VINYL, PLASTICS, AND/OR FOAM): ONE YEAR FROM DATE OF PURCHASE.

THE WARRANTY TIME PERIOD IS AS FOLLOWS FOR ALL OTHER "HARD GOODS" MANUFACTURED BY OUR COMPANY (USING PRIMARILY METALS, PLASTICS, AND/OR FIBERGLASS): ONE YEAR FROM DATE OF PURCHASE.

ANY IMPLIED WARRANTIES OF MERCHANTABILITY AND/OR FITNESS FOR A PARTICULAR PURPOSE CREATED HEREBY ARE LIMITED IN DURATION TO THE SAME DURATION AND SCOPE AS THE EXPRESS WRITTEN WARRANTY. OUR COMPANY SHALL NOT BE LIABLE FOR ANY INCIDENTAL OR CONSEQUENTIAL DAMAGE.

Some states do not allow limitations on how long an implied warranty lasts, or the exclusion or limitation of incidental or consequential damages, so the above limitations or exclusions may not apply to you. This warranty gives you specific legal rights, and you may also have other rights which vary from state to state.



For further information or request for warranty work, please contact:
Bestop Inc., Customer Service
Toll-Free: (800) 845-3567
E-mail: customerservice@Bestop.com
Website: www.Bestop.com

*All or a portion of this product may be made in China or South Africa.