



# Installation Instructions Sun Bikini Bronco

Vehicle Application:  
Ford Bronco 2 Door 2021 to Current Part Number 52422  
Ford Bronco 4 Door 2021 to Current Part Number 52423

## Installation Tips

Before you begin installing your new Sun Bikini please read all the instructions thoroughly..

**! WARNING** Do not rely in any way on the components of this product to protect against injury or death in the event of an accident. Never operate the vehicle in excess of manufacturer’s specifications.






Read and follow, precisely, all installation instructions provided when installing this product. Failure to do so may result in a poor fit and could place occupants of the vehicle in a potentially dangerous situation.

“For easier installation, the top should vbe installed at a temperature above 72° F. Below this temperature, the fabric may contract making it difficult to fit the vehicle.”

**! CAUTION** Safety glasses should be worn at all times when installing this product.



**WEAR SEAT BELTS AT ALL TIMES**

Tools		Installation Time	Support
 Safety Glasses	 T30, T40 and T50 Torx Drivers	 30 minutes	We're here to help! Go to: <a href="https://www.bestop.com">https://www.bestop.com</a> and click on Need Help?
		Skill Level	 <a href="https://www.bestop.com/video-library">https://www.bestop.com/video-library</a>
		 1 - Easy	



## Installation Instructions Sun Bikini Bronco

Vehicle Application:  
Ford Bronco 2 Door 2021 to Current Part Number 52422  
Ford Bronco 4 Door 2021 to Current Part Number 52423

### Sugerencias de Instalación

**Antes de empezar a instalar esta unidad, lea atentamente todas las instrucciones.**

**Para un buen ajuste:**

Para facilitar la instalación, el producto debe instalarse a temperaturas superiores a 72 °F (22 °C).

Por debajo de esta temperatura, la tela puede encogerse una pulgada o más, lo que dificultaría su ajuste al vehículo.

Es normal que la tela se contraiga o arrugue cuando está guardada en la caja de empaque. A los pocos días después de la instalación, la tela se relajará y las arrugas desaparecerán.



#### ADVERTENCIA

Este producto se diseñó principalmente para mejorar la apariencia del vehículo y proteger a los ocupantes de las condiciones climáticas comunes. De ninguna manera piense que los componentes de este producto pueden servir como medio de contención para los ocupantes del vehículo o que pueden protegerlos contra lesiones o la muerte en caso de accidente. Este producto no protegerá a los ocupantes contra caídas de objetos. Nunca conduzca este vehículo fuera de las especificaciones del fabricante.

#### USE LOS CINTURONES DE SEGURIDAD EN TODO MOMENTO

Lea y siga con precisión todas las instrucciones de instalación que se proporcionan para instalar este producto. Si no lo hace, podría producirse un mal ajuste que colocaría a los ocupantes del vehículo en una situación potencialmente peligrosa.



#### PRECAUCIÓN

Debe usar gafas protectoras en todo momento durante la instalación de este producto.

### Conseils pour l'installation

**Lire toutes les instructions au complet avant de commencer l'installation de cet assemblage.**

**Pour un ajustement sans problème :**

Afin de faciliter l'installation, ce produit doit être installé à des températures au-dessus de 72 °F (22 °C).

Sous cette température, le tissu peut rétrécir d'un pouce (2,5 cm) ou plus, ce qui rendra l'ajustement sur le véhicule difficile.

Il est normal que le tissu rétrécisse et plisse pendant qu'il est dans la boîte d'expédition. En quelques jours après l'installation, le tissu se détendra et les plis disparaîtront.



#### AVERTISSEMENT

Ce produit est conçu principalement pour améliorer l'apparence du véhicule et pour protéger les occupants des conditions météorologiques usuelles. Ne jamais se fier aux composants de ce produit pour se protéger de blessures ou de la mort en cas d'accident. Ce produit ne protégera pas les occupants des chutes d'objets. Ne jamais utiliser le véhicule au-delà des caractéristiques techniques indiquées par le fabricant.

#### PORTER UNE CEINTURE DE SÉCURITÉ EN TOUT TEMPS

Lire et suivre, très fidèlement, toutes les instructions d'installation fournies lors de l'installation de ce produit. Ne pas suivre cette consigne peut causer une installation inadéquate et mettre les occupants du véhicule dans une situation potentiellement dangereuse.



#### MISE EN GARDE

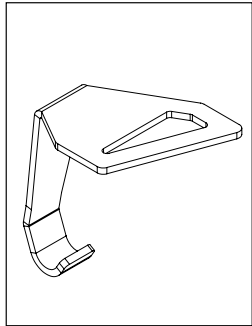
Des lunettes de sécurité doivent être portées en tout temps lors de l'installation de ce produit.



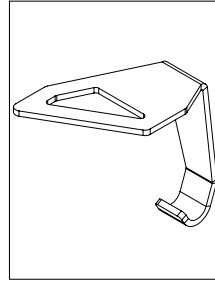
# Installation Instructions Sun Bikini Bronco

Vehicle Application:  
Ford Bronco 2 Door 2021 to Current Part Number 52422  
Ford Bronco 4 Door 2021 to Current Part Number 52423

## Parts List



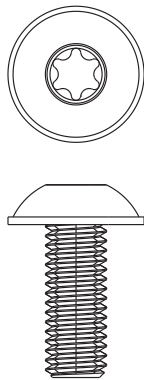
T - Hook Bracket Left  
Part #605.77  
Qty. 1



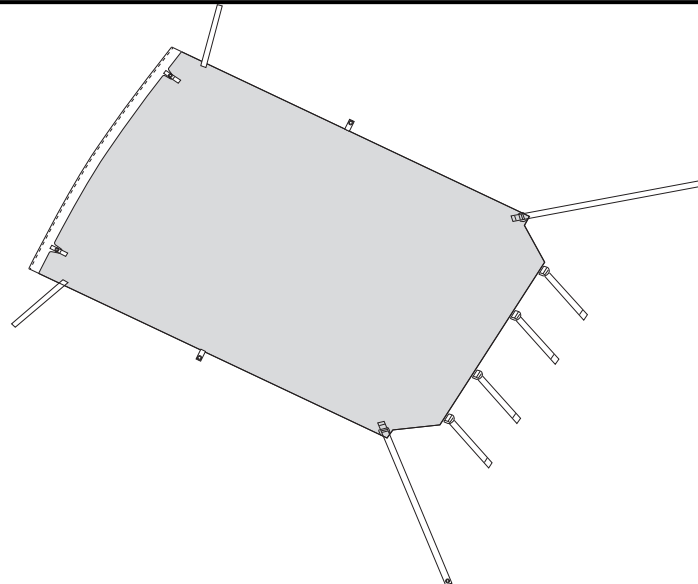
T-Hook Bracket Right  
Part #605.76  
Qty. 1



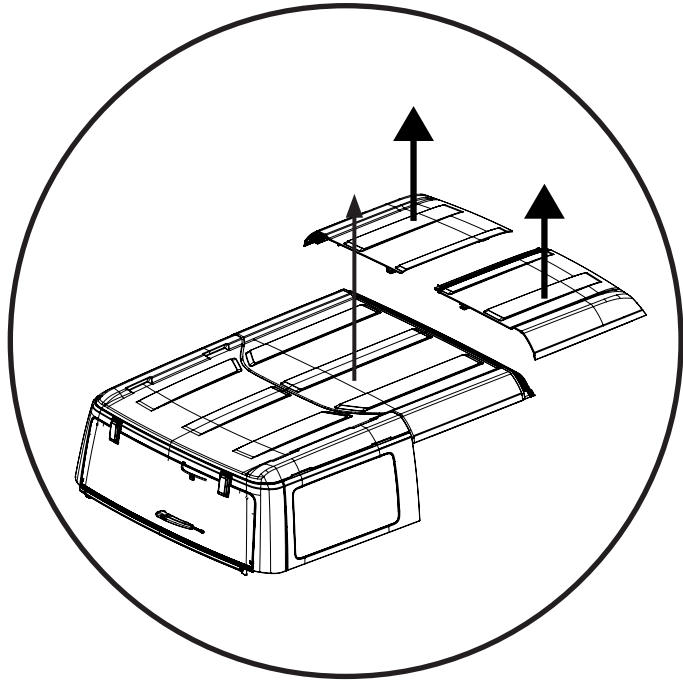
Strap Keeper  
Part #338.24  
Qty. 8



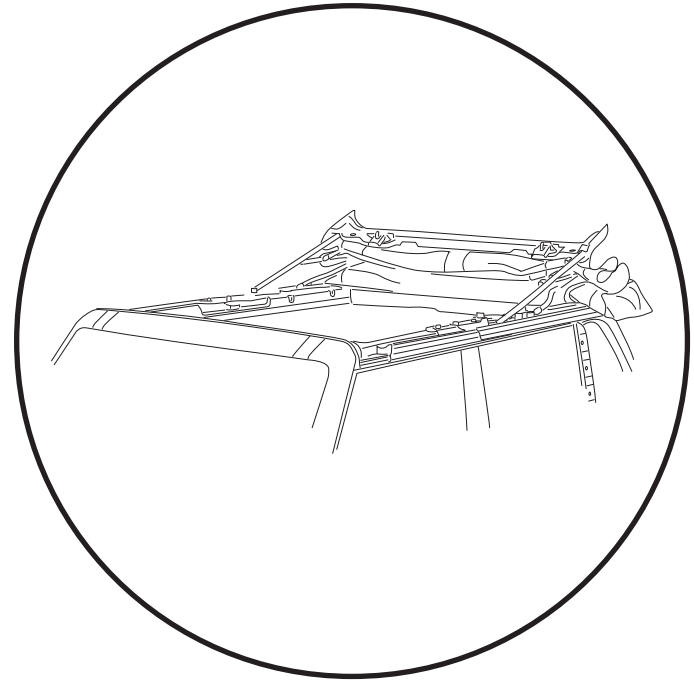
Screw, M8 X 20 mm  
Part #573.09  
Qty. 2  
(T40)



Bikini Top

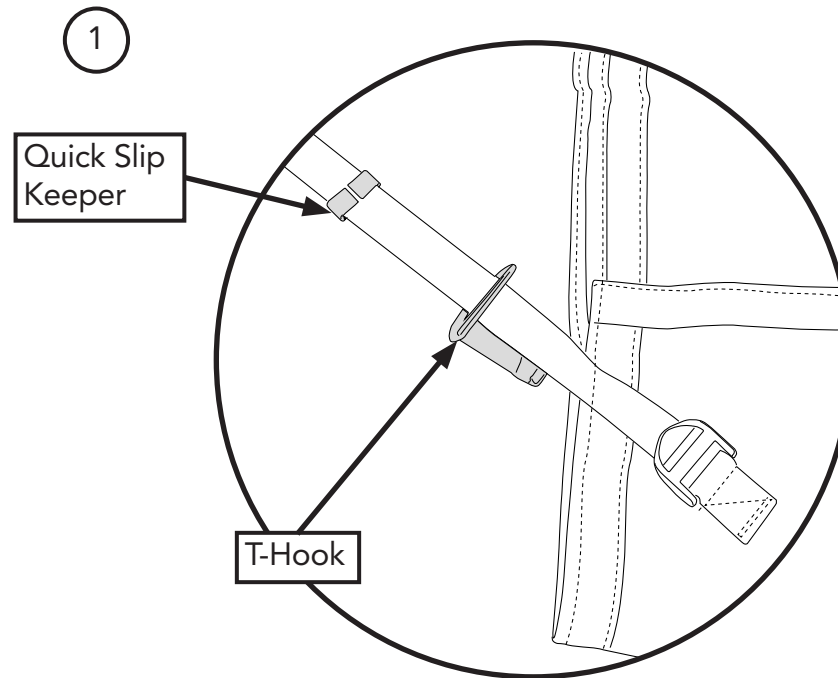


Remove 2 or 3 hardtop panels depending on the vehicle. (See owners manual for details)



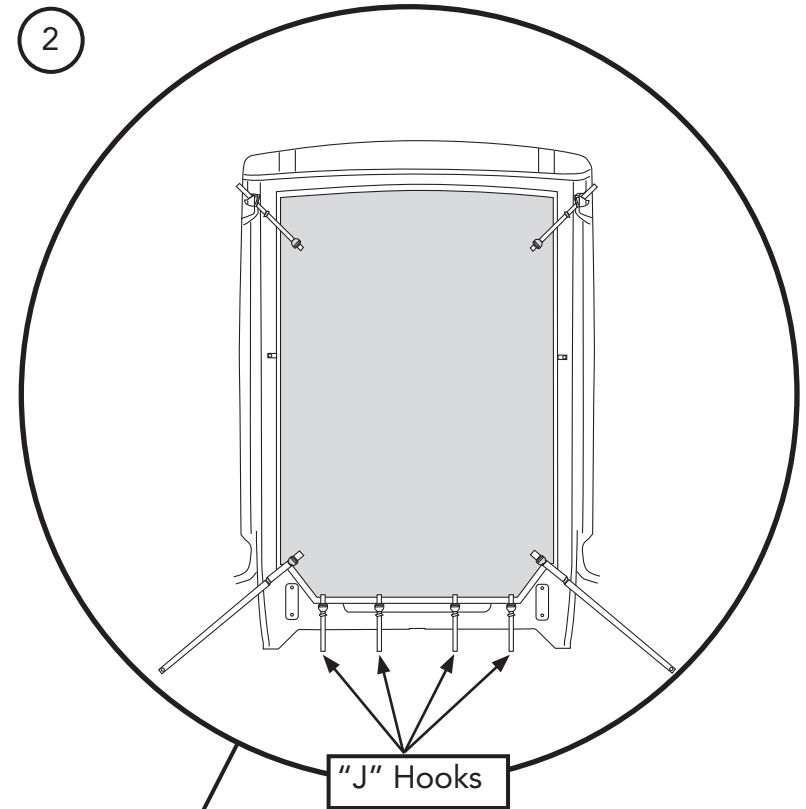
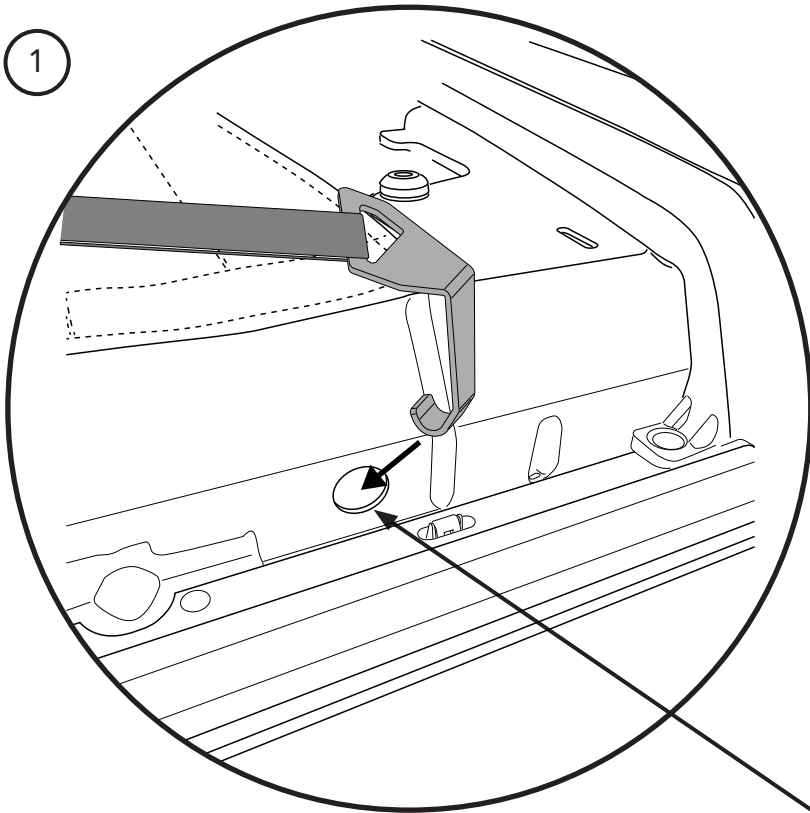
If vehicle is equipped with a soft top, fold the top back.





①

Un-roll the bikini from the box, install the T-Hooks 605.76 RH 605.77 LH and add them to the front straps. You will want this to be loose so they can install to the hole on the frame.

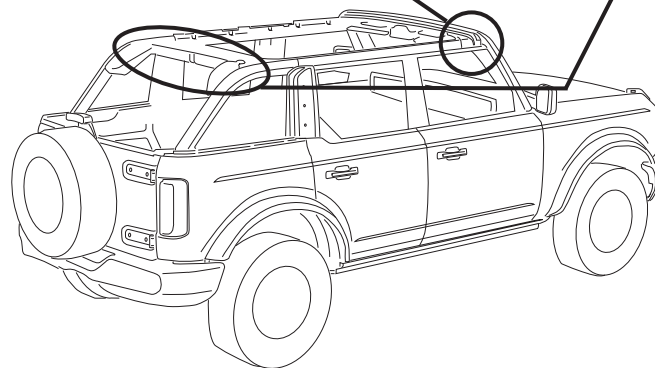


1

Lay the Bikini top over the vehicle frame. Make sure the vinyl side (Black side with grain embossed is facing up). Hook the T-Bracket 605.76/ 77 into the hole. Leave loose at this point.

2

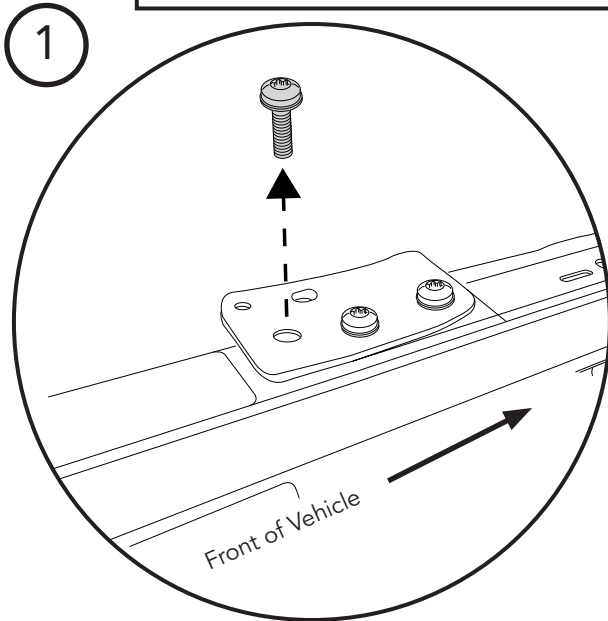
Install the four "J" hook straps along the edge of the rear of the vehicle frame. Leave the straps loose at this time.



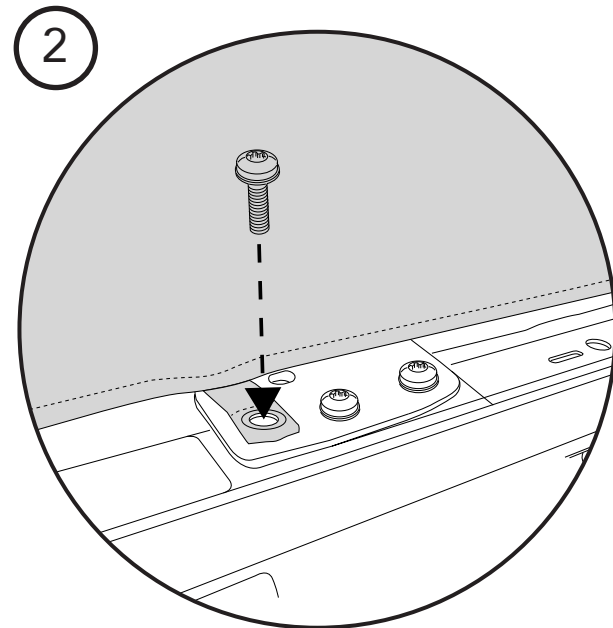
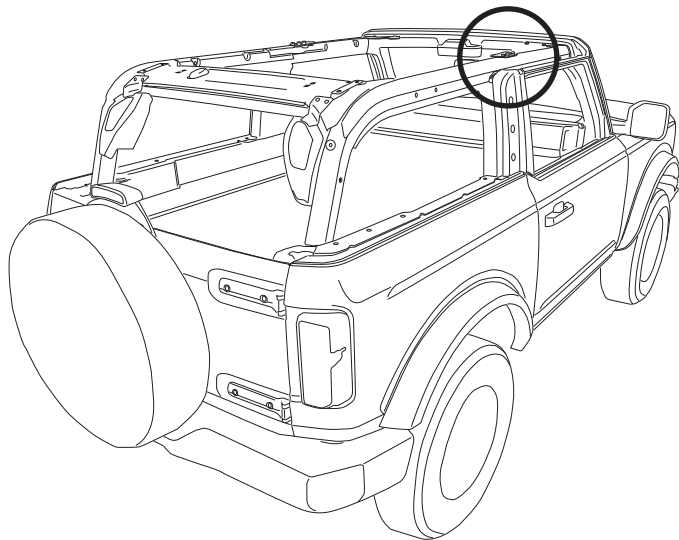
Tools



# 2 Door Bronco Hard Top Vehicle



Remove the bolt from the rear of the hard top latch plate..

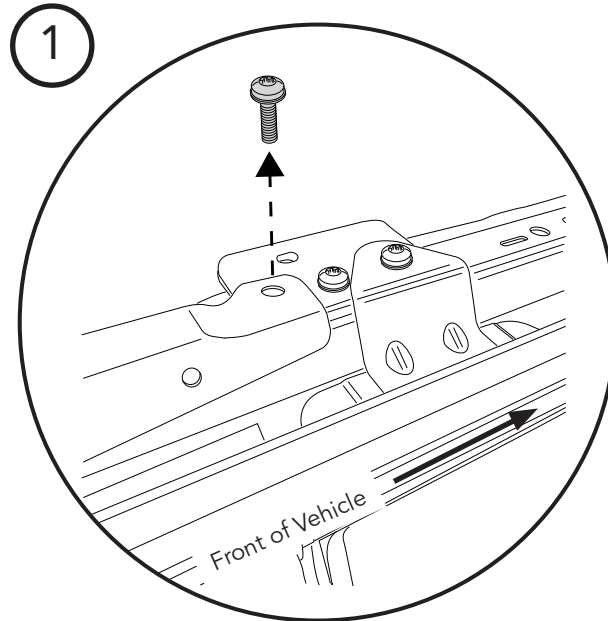


Pull the tab with the grommet over the hole then replace the bolt.

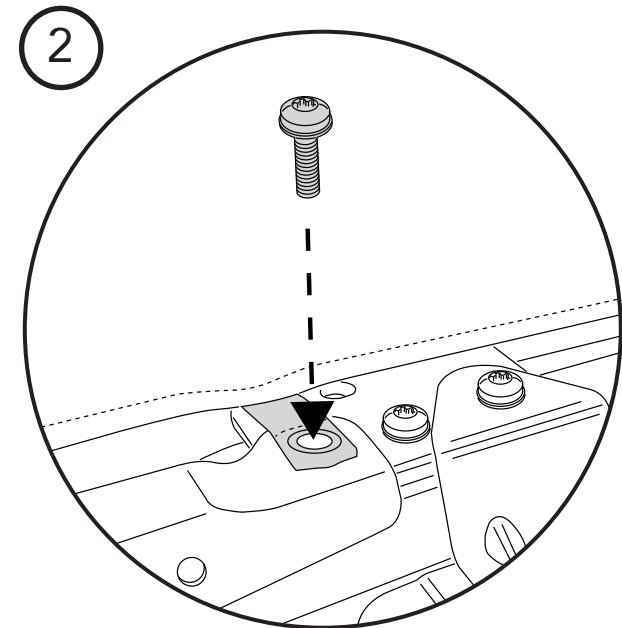
Repeat on the left side of the vehicle.

# 2 Door Bronco Trektop Vehicle

## Tools

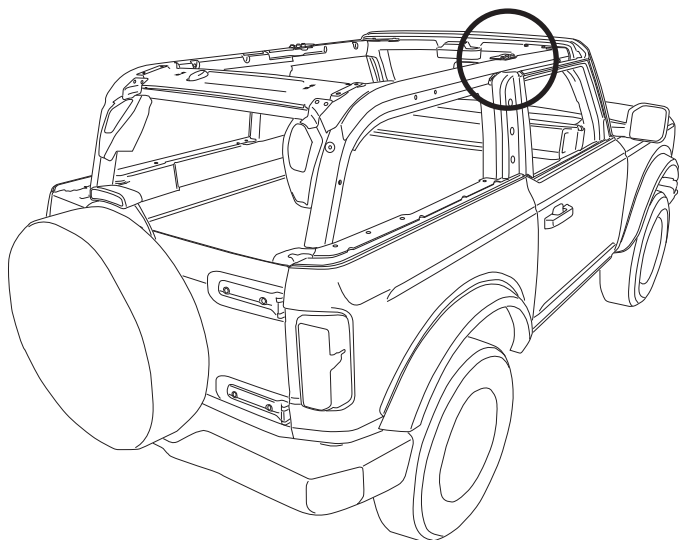


Remove the bolt from the front of the pivot bracket.



Pull the tab with the grommet over the hole then replace the bolt.

Repeat on the left side of the vehicle.

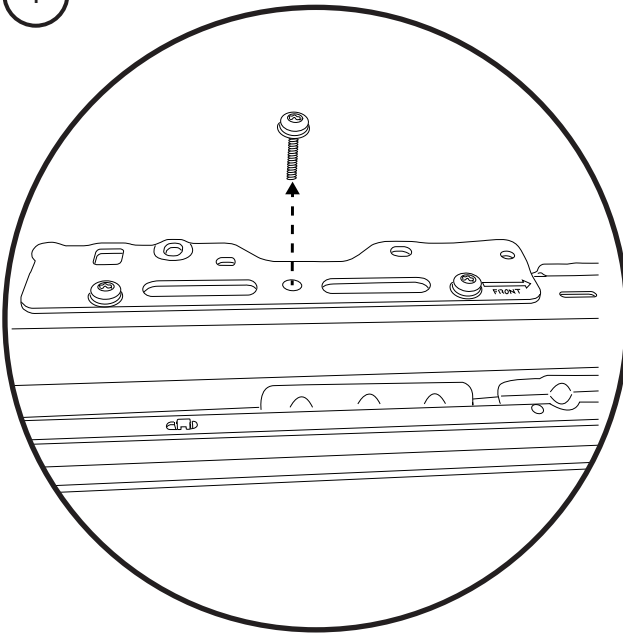


## Tools

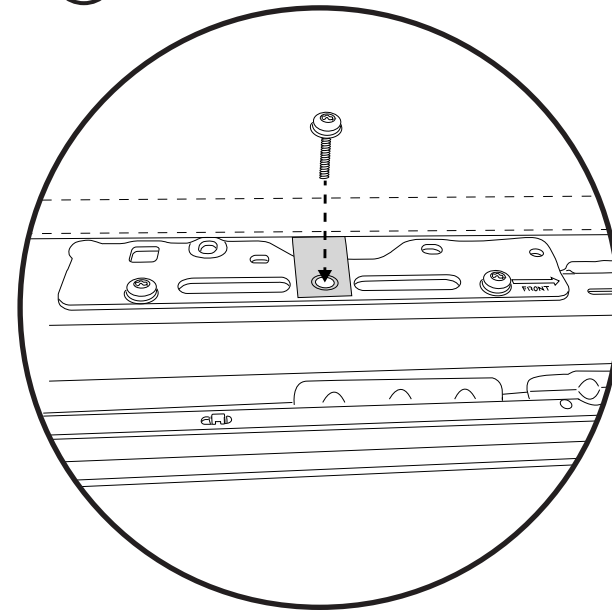
T50  
Torx Driver

## 4 Door Bronco Hard Top Vehicle

1

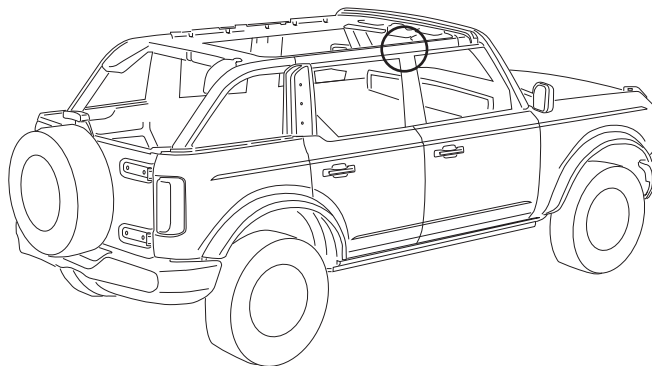


2



- 1 Remove the center bolt.
- 2 Pull the Grommet Tab over the mounting location of the center bolt then replace the center bolt.

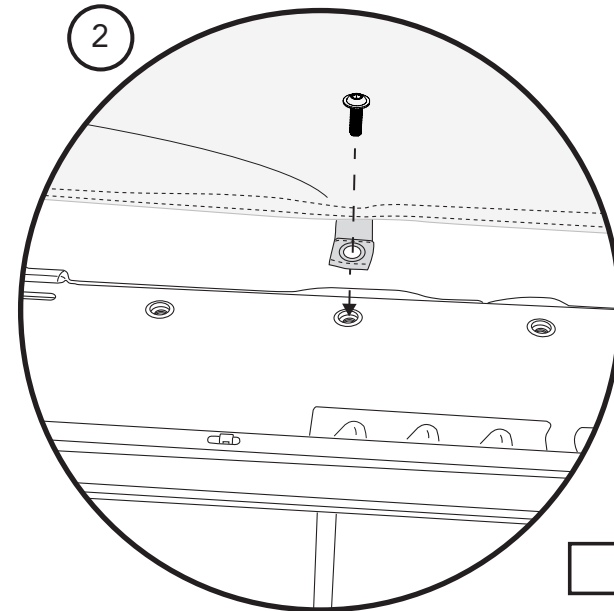
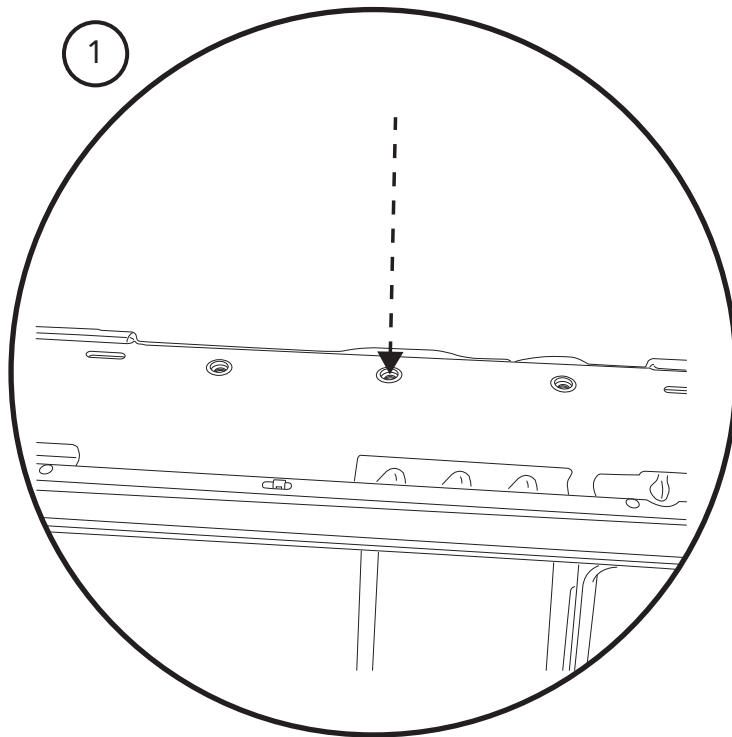
Repeat on the left side of the vehicle.



## Tools

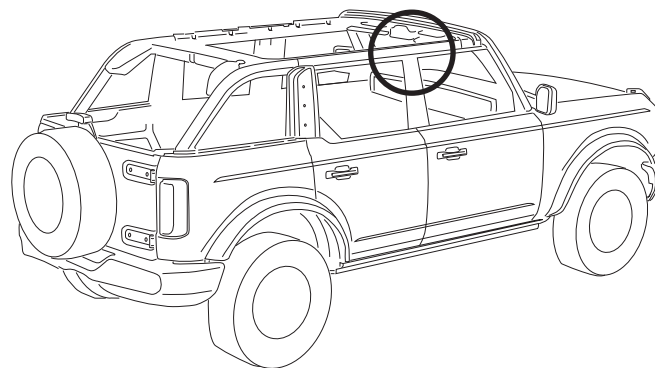
T40  
Torx Driver

## 4 Door Bronco Soft Top Vehicle

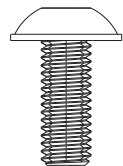


- ① Locate the center of 3 threaded holes (located above the point where the back of the front door and front of the rear door meet)
- ② Pull the Grommet Tab over the center hole then attach the tab with 1 of the 573.09 Screws.

Repeat on the left side of the vehicle.



## Parts

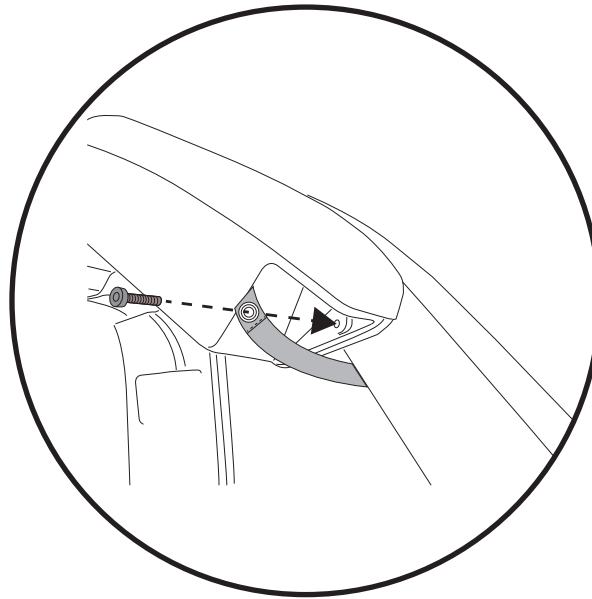
Screw, M8 X 20 mm  
Part #573.09  
Qty. 2  
(T40)

Tools



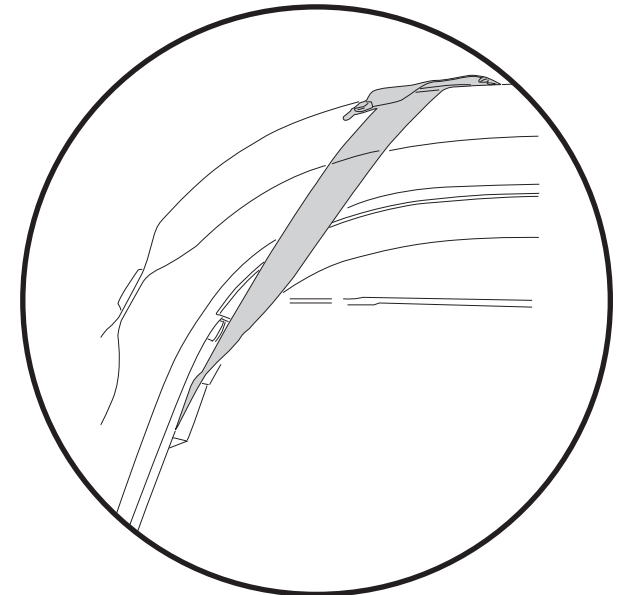
T30  
Torx Driver

2



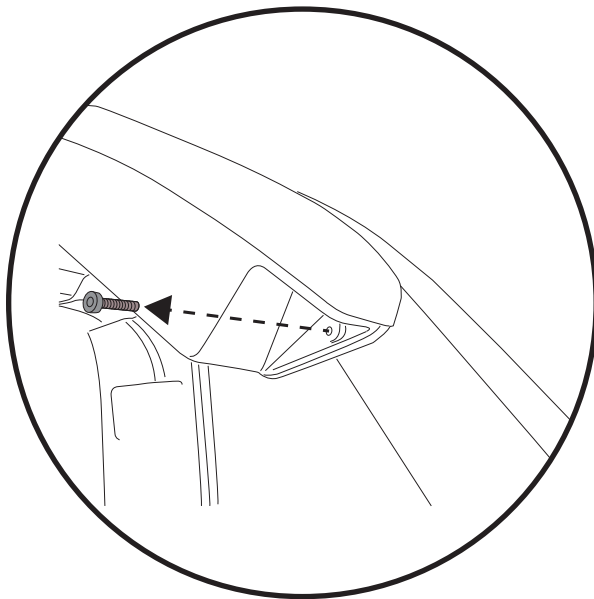
Insert the bolt that holds the bottom of the speaker pod through the grommet in the end of the Rear Side Strap then replace the bolt in the roll bar.

3

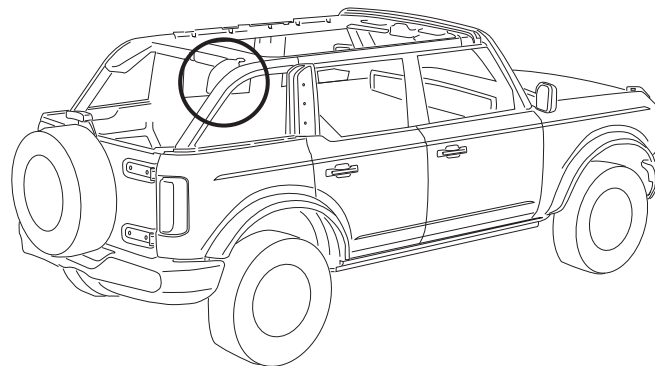


Wrap the strap around the roll bar then up to the buckle located on the rear corner of the Sun Bikini.

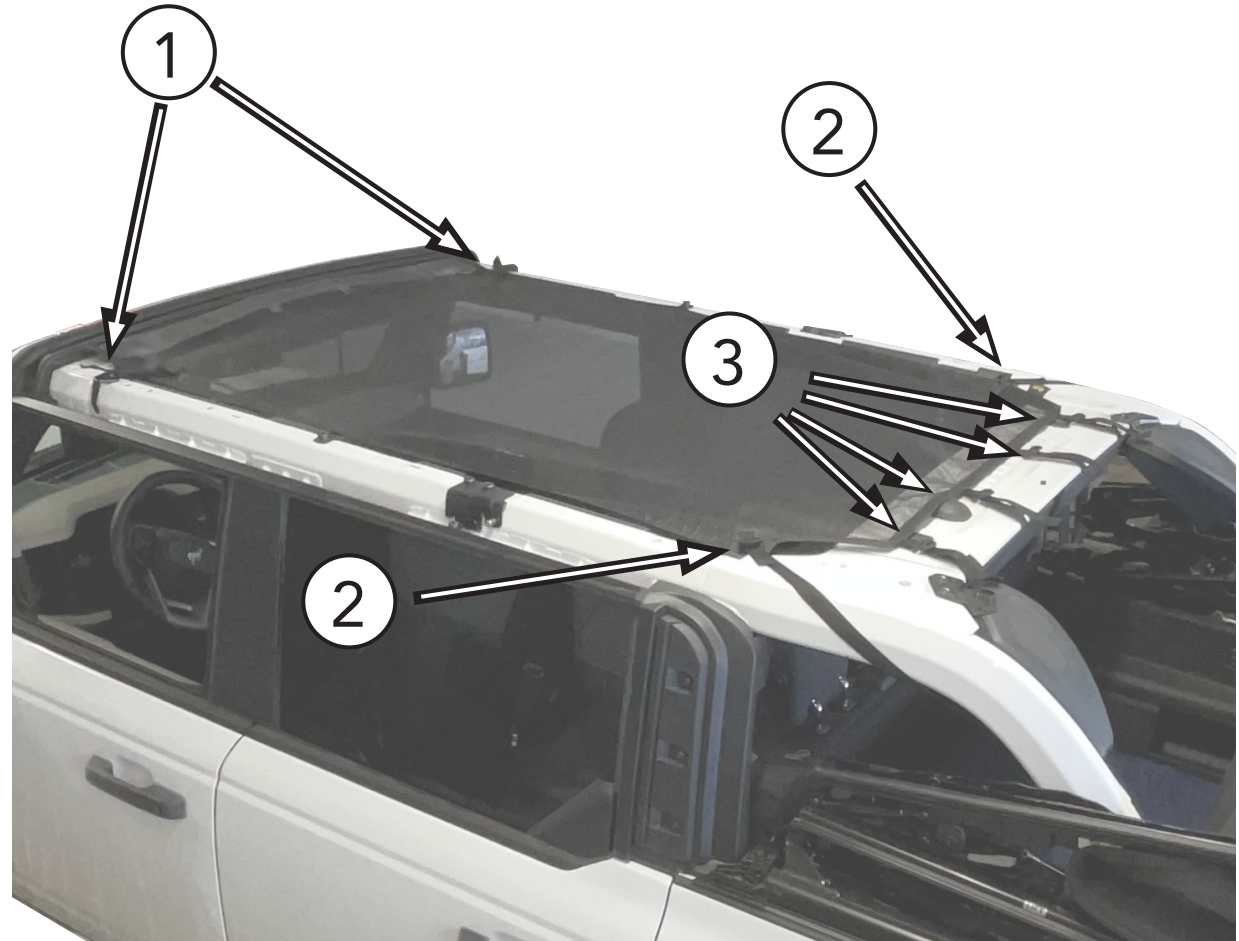
1



Remove the bolt that holds the bottom of the speaker pod to the roll bar.

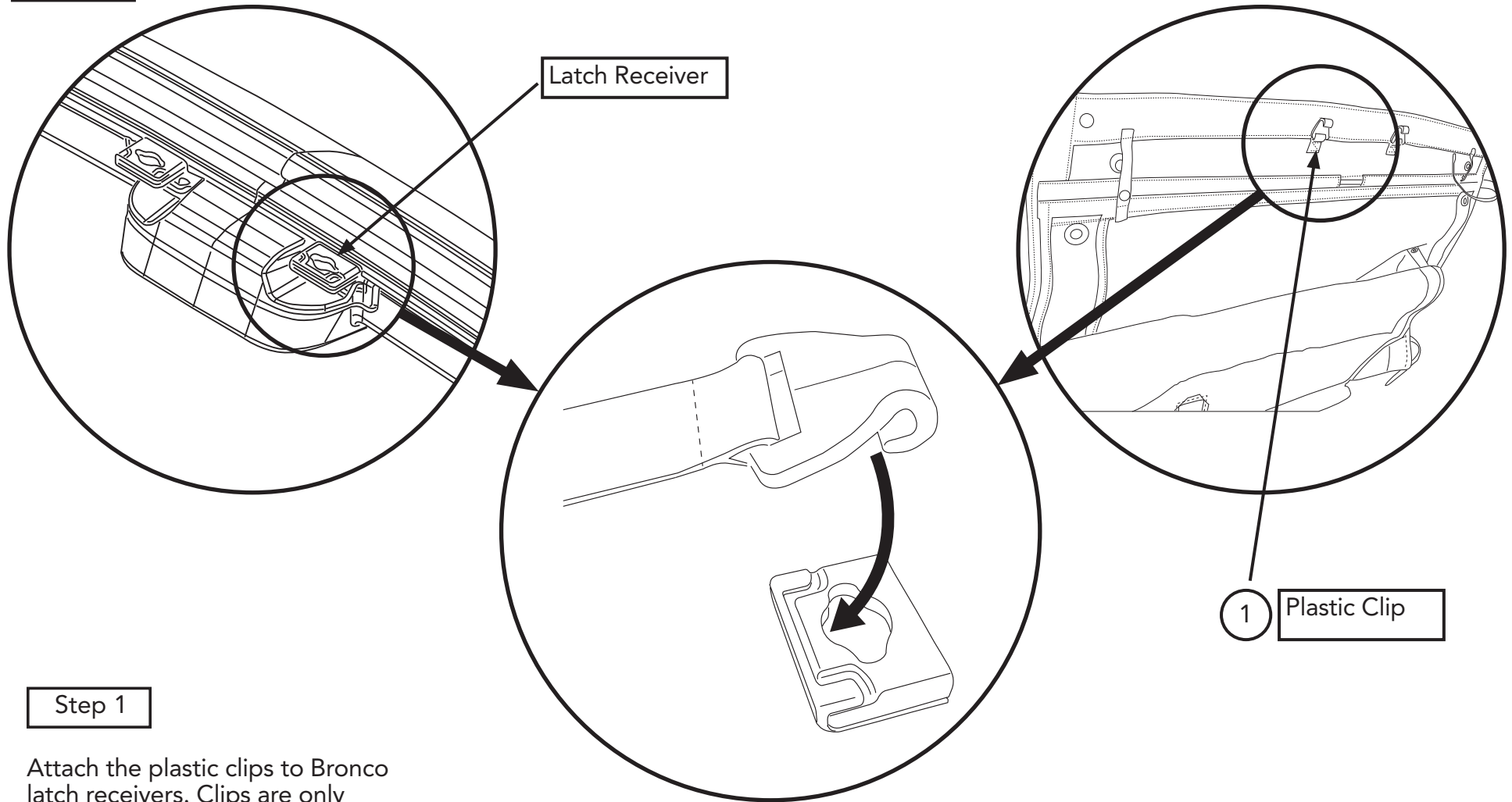


- ① Tighten the front straps.
- ② Tighten the rear corner straps.
- ③ Tighten the 4 J hook straps.



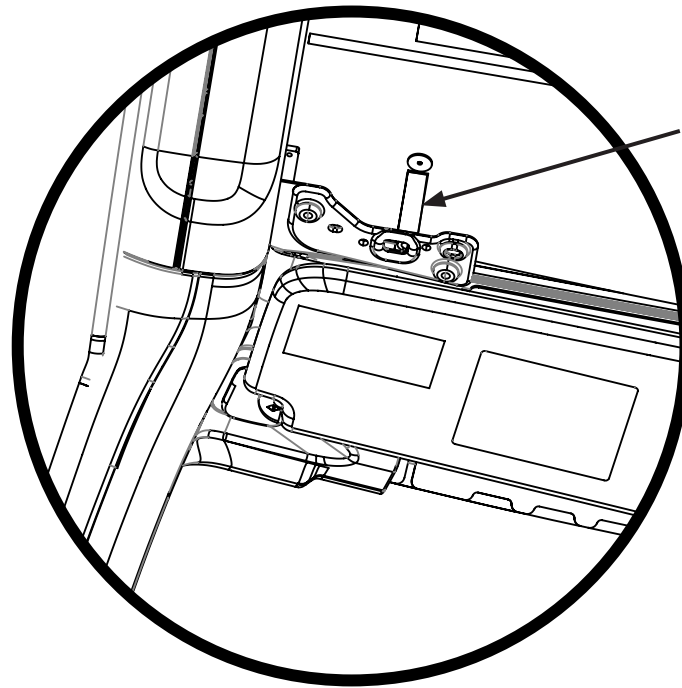


## Step 1



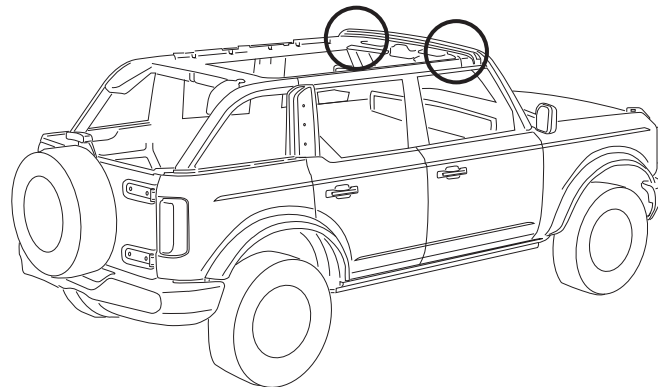
## Step 1

Attach the plastic clips to Bronco latch receivers. Clips are only used when the hard top panels are removed, otherwise the front area of the bikini is folded and snapped back to itself.



Snap Strap

Snap straps loop through the square hole in the front latch plate and snap to the bikini. Snap straps are only used when the hard top panels are removed, otherwise the front area of the bikini is folded and snapped back to itself.





## Warranty Information Sun Bikini 52421/52423

Vehicle Application:  
Ford Bronco 2 Door 2021 to Current Part Number 52422  
Ford Bronco 4 Door 2021 to Current Part Number 52423

### WHAT BESTOP WARRANTS

Subject to the terms and conditions of sale, including any terms and conditions set forth by Bestop, Inc. ("Bestop" or "us" or "we") in our then-current terms of sale on our website (collectively, the "Terms"), Bestop represents and warrants that: the covered products listed in the "Covered Products and Warranty Periods" section (a "Product") will substantially be free from defects in materials and workmanship for the specified warranty periods set forth in that section.

### THE WARRANTY IS LIMITED AND CONDITIONAL

This warranty applies to the original purchaser of the Product only. The warranty is valid only as long as the original retail purchaser owns the vehicle upon which the Product is installed. The warranty expires should the Product be removed from the original vehicle or if the original vehicle is transferred to another owner.

This warranty is not transferable or assignable. The warranty does not apply to Product bought from auction-style or price-bid websites.

THE LIMITED WARRANTY AND STATED REMEDIES ARE SOLE AND EXCLUSIVE AND IN LIEU OF ALL OTHER WARRANTIES AND REMEDIES, AND COMPANY EXPRESSLY DISCLAIMS ALL IMPLIED OR STATUTORY OR OTHER WARRANTIES, INCLUDING WITHOUT LIMITATIONS WARRANTIES OF MERCHANTABILITY, NON-INFRINGEMENT OR FITNESS FOR A PARTICULAR PURPOSE. IN NO EVENT WILL COMPANY BE LIABLE FOR ANY SPECIAL, INCIDENTAL, CONSEQUENTIAL, PUNITIVE, INDIRECT OR EXEMPLARY DAMAGES OF ANY KIND, INCLUDING LOST PROFITS OR REVENUE, HOWEVER CAUSED, WHETHER FOR BREACH OR REPUDIATION OF CONTRACT, TORT, BREACH OF WARRANTY, NEGLIGENCE, OR OTHERWISE, WHETHER OR NOT COMPANY WAS ADVISED OF THE POSSIBILITY OF SUCH LOSS OR DAMAGES.

Some states do not allow exclusion or limitation, so this may not apply to you. This warranty gives you specific legal rights, and you may have other rights which vary from state to state.

### EXCLUSIONS TO THE WARRANTY

The Limited Warranty excludes, and Bestop is not liable in any way for any warranty claims, damages, or defects related to:

- Misuse, abuse, accidents, vandalism, negligence, fire, or improper installation or modification, or improper or inadequate maintenance;
- Failure to comply with any Product documentation, Bestop instructions, or applicable law or regulations; use in extreme conditions
- Force Majeure including but not limited to, earthquake, hurricane, tornado, flooding, or other disasters natural or man-made, civil unrest, strikes, declared or undeclared war, or lack of performance by, or discontinued product of, supply chain partners whose products, software, operations or management is beyond the control of Bestop;
- Damage resulting in breakage (including without limitation, spontaneous breakage, accidental breakage or breakage by any other means) of a Product or any component part;
- Damage to vinyl windows due to misuse, or cracking due to varying weather conditions.

### YOUR SOLE REMEDY

During the applicable warranty period, Bestop shall, at its option, either repair or replace any Product that it confirms, in its discretion, is non-compliant with the warranties herein. Bestop will not pay for labor charges associated with installation or removal of the Product. Should a specific Product be discontinued, Bestop may, at its option, replace the discontinued Product with a current product or like product.

Please retain your proof of purchase. Original proof of purchase for the Product must accompany any warranty claim. If you have a warranty claim, first you must email Bestop Customer Service at [csbestop@bestop.com](mailto:csbestop@bestop.com) for instructions. All claims must be emailed to [csbestop@bestop.com](mailto:csbestop@bestop.com) within 30 days of discovery of a defective Product, but in no event later than thirty days after the end of the applicable Warranty Period (the "Warranty Notice Period"). Warranty claims made after the Warranty Notice Period are null and void and Bestop shall have no responsibility with respect to such claims.

**THIS SECTION SETS FORTH BESTOP'S SOLE OBLIGATION & YOUR SOLE REMEDY WITH RESPECT TO ANY DEFECTS OR OTHER PRODUCT ISSUE. ANY PRODUCTS REPLACED UNDER TERMS OF THIS WARRANTY WILL BE COVERED UNDER TERMS & BALANCE OF THE DURATION OF THE ORIGINAL LIMITED WARRANTY FOR SUCH PRODUCT.**



Warranty Information  
Sun Bikini 52421/52423

Vehicle Application:  
Ford Bronco 2 Door 2021 to Current Part Number 52422  
Ford Bronco 4 Door 2021 to Current Part Number 52423

---

**COVERED PRODUCTS AND WARRANTY PERIODS:** The warranty time periods are as follows for Products manufactured by Bestop:

**BESTOP® LIMITED LIFETIME WARRANTY**

Trektop® Pro Twill Fabric Top Sunrider® for Hardtop Twill Fabric Top  
Trektop® NX Glide Twill Fabric Top Replace-a-Top™ Twill Fabric Top  
Trektop® NX Twill Fabric Top Supertop® NX Twill Fabric Top  
EZFold™ Soft Tonneaus Floor & Cargo Liners  
ZipRail™ Soft Tonneaus Pet Barriers  
EZRoll™ Soft Tonneaus

---

**BESTOP® 5-YEAR LIMITED WARRANTY**

Trektop® NX Glide™ Top (non-Twill) Sunrider® for Hardtop (non-Twill) Replace-a-Top™ Top (non-Twill) Trektop® NX Top (non-Twill)  
Sailcloth Replace-a-Top™ Supertop® NX Top (non-Twill)  
Tigertop™ and Halftop™ Supertop® Classic Soft Top Sunrider® Complete Soft Top Supertop® for Truck  
EZ Fold Hard Tonneau

---

**BESTOP® 3-YEAR/100K MILES LIMITED WARRANTY**

Powerboard® & Powerboard® NX  
Trekstep®, Side Mount  
Trekstep®, Rear Mount

---

**BESTOP® 3-YEAR LIMITED WARRANTY**

Pavement Ends Sprint Top

---

**BESTOP® 2-YEAR LIMITED WARRANTY**

Trektop® Classic Soft Top  
RoughRider™ Soft Storage

---

**BESTOP® 1-YEAR LIMITED WARRANTY**

All other Bestop® & Pavement Ends™ products not specified above.

---

For further information or request for warranty work, please contact:

Bestop Inc. Customer Service  
Toll-Free: (800)845-3567  
E-mail: [csbestop@Bestop.com](mailto:csbestop@Bestop.com)  
Website: [www.Bestop.com](http://www.Bestop.com)