



# Installation Instructions Bronco® Skyrider

Vehicle Application:  
Ford Bronco 4 Door 2021-Current  
Part Number 52462

## Installation Tips

Before you begin installing your new Bronco® Skyrider, please read all the instructions thoroughly, and watch the Bestop Installation video. (See Support section on this page).

For easier installation, the top should vbe installed at a temperature above 72° F. Below this temprature, the fabric may contract making it difficult to fit the vehicle.w

**WARNING** Do not rely in any way on the components of this product to protect against injury or death in the event of an accident. Never operate the vehicle in excess of manufacturer’s specifications.

Read and follow, precisely, all installation instructions provided when installing this product. Failure to do so may result in a poor fit and could place occupants of the vehicle in a potentially dangerous situation.









## NOTE

\*We suggest using two people to help lift the top onto the vehicle.

**CAUTION** Safety glasses should be worn at all times when installing this product.

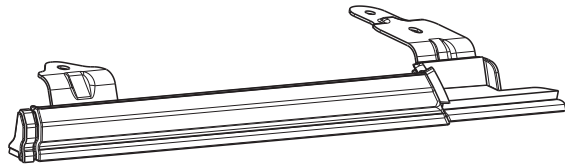
**WEAR SEAT BELTS AT ALL TIMES**

Tools			Installation Time	Support
 Safety Glasses	 T30, T40 and T50 Torx Drivers		 <b>2.5 Hours</b>	We're here to help! Go to: <a href="https://www.bestop.com">https://www.bestop.com</a> and click on Need Help?
<b>NOTE</b> Using a power drill can cause excess torque and damage to the top and/or vehicle			<b>Skill Level</b>	
			 3 - Moderately Difficult	<a href="https://www.bestop.com/video-library">https://www.bestop.com/video-library</a>

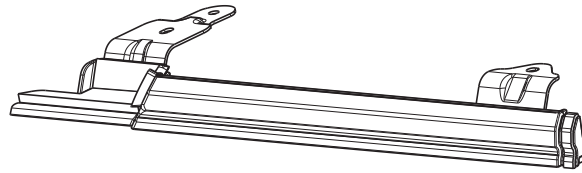


# Installation Instructions Bronco® Skyrider

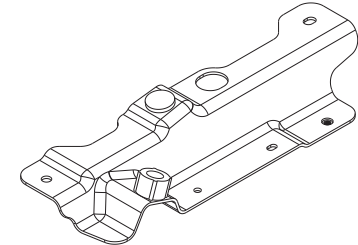
Vehicle Application:  
Ford Bronco 4 Door 2021-current  
Part Number 52462



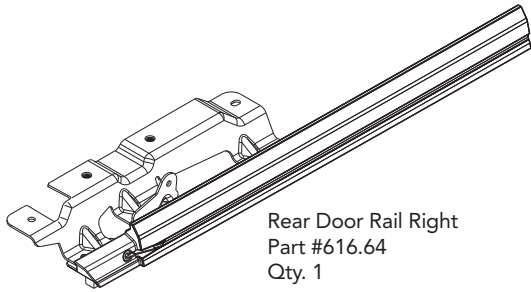
Front Door Rail Right  
Part #620.00  
Qty. 1



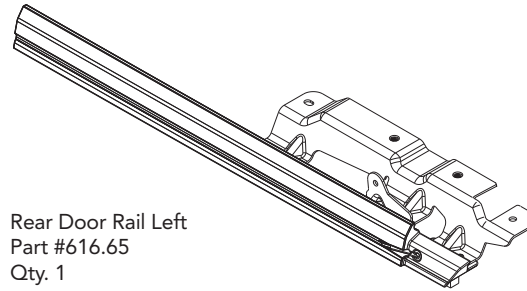
Front Door Rail Left  
Part #620.01  
Qty. 1



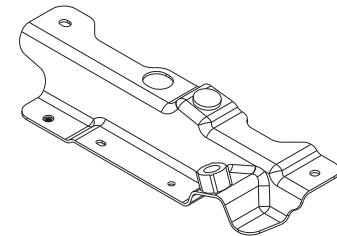
Main Pivot Bracket Right  
Part #616.46  
Qty. 1



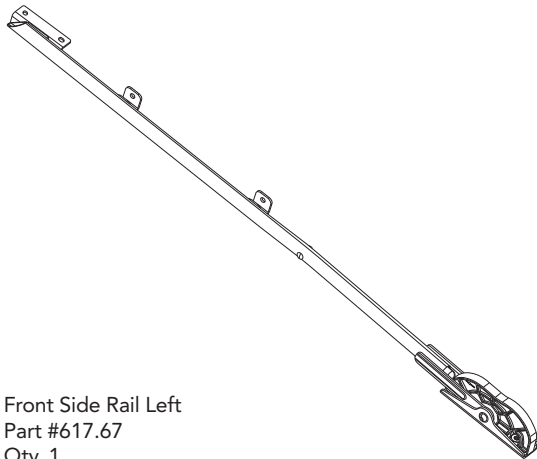
Rear Door Rail Right  
Part #616.64  
Qty. 1



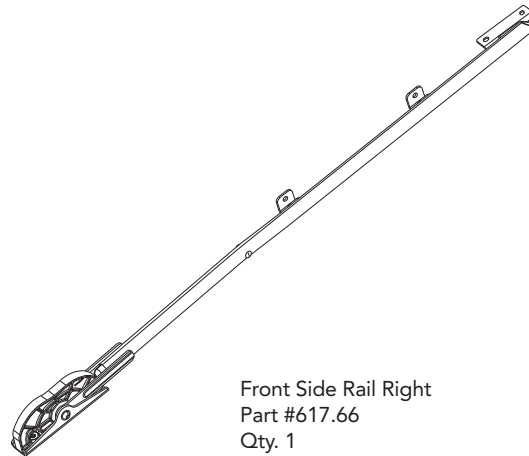
Rear Door Rail Left  
Part #616.65  
Qty. 1



Main Pivot Bracket Left  
Part #616.47  
Qty. 1



Front Side Rail Left  
Part #617.67  
Qty. 1

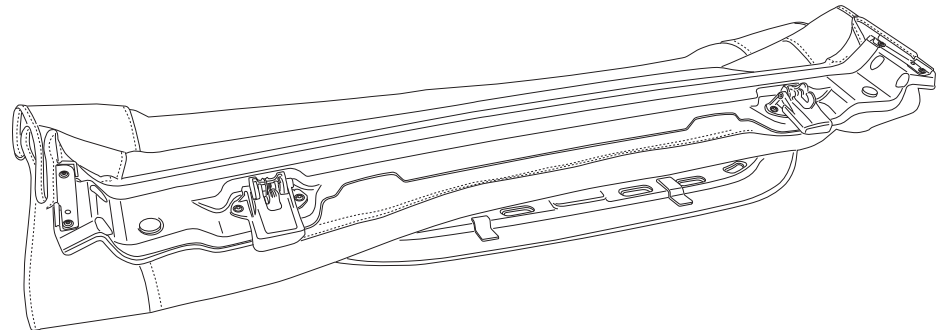
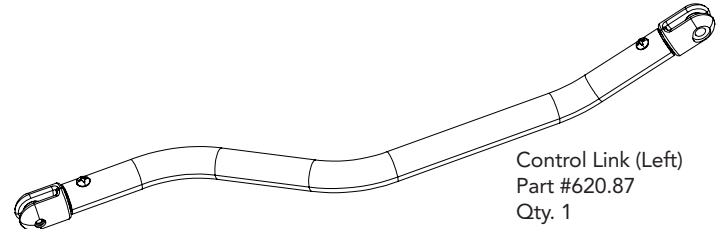
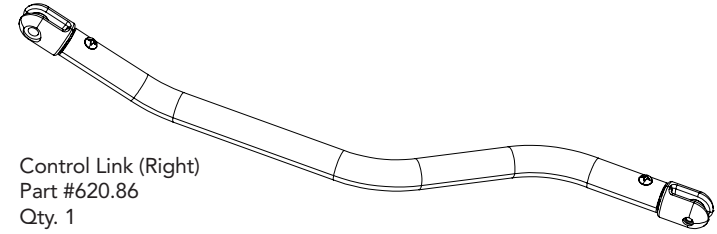
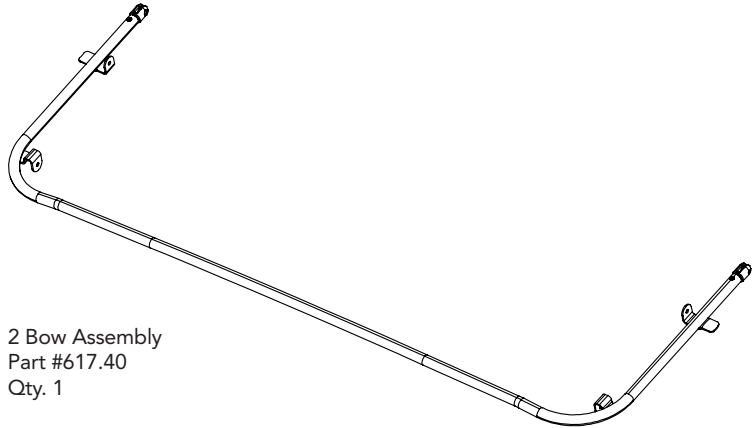
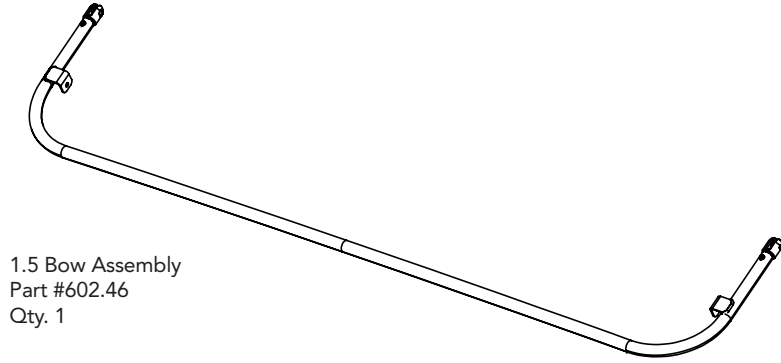


Front Side Rail Right  
Part #617.66  
Qty. 1



# Installation Instructions Bronco® Skyrider

Vehicle Application:  
Ford Bronco 4 Door 2021-current  
Part Number 52462

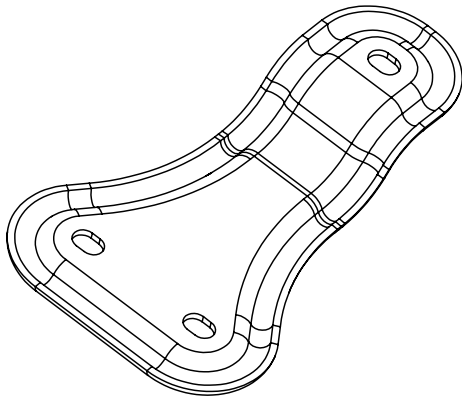




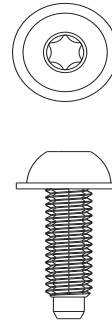
# Installation Instructions Bronco® Skyrider

Vehicle Application:  
Ford Bronco 4 Door 2021-current  
Part Number 52462

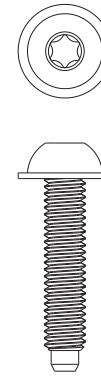
## 636.82 Small Parts Kit



Halo Attach Bracket  
Part #619.42  
Qty. 1



SCREW, M6 X 1.0 X 15mm  
Part #533.61  
Qty. 10  
T-30 Torx



Screw, M6 X 1.0 X 25mm  
Part #535.23  
Qty. 2  
T-30 Torx



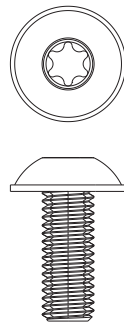
SCREW, Pivot Knuckle  
Part #308.65  
Qty. 12  
T-30 Torx



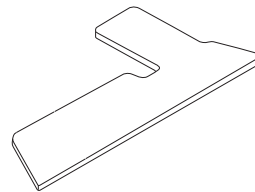
Control Linkage  
Part #602.75  
Qty. 2



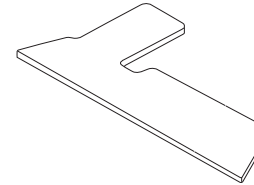
Push Pin  
Part #533.96  
Qty. 2



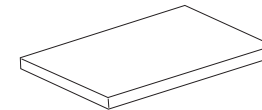
Screw, M8 X 1.25 X 20mm  
Part #573.09  
Qty. 7  
T-40 Torx



#1 Bow Foam Seal Rt  
Part #615.66  
Qty. 1



#1 Bow Foam Seal Lt  
Part #615.67  
Qty. 1

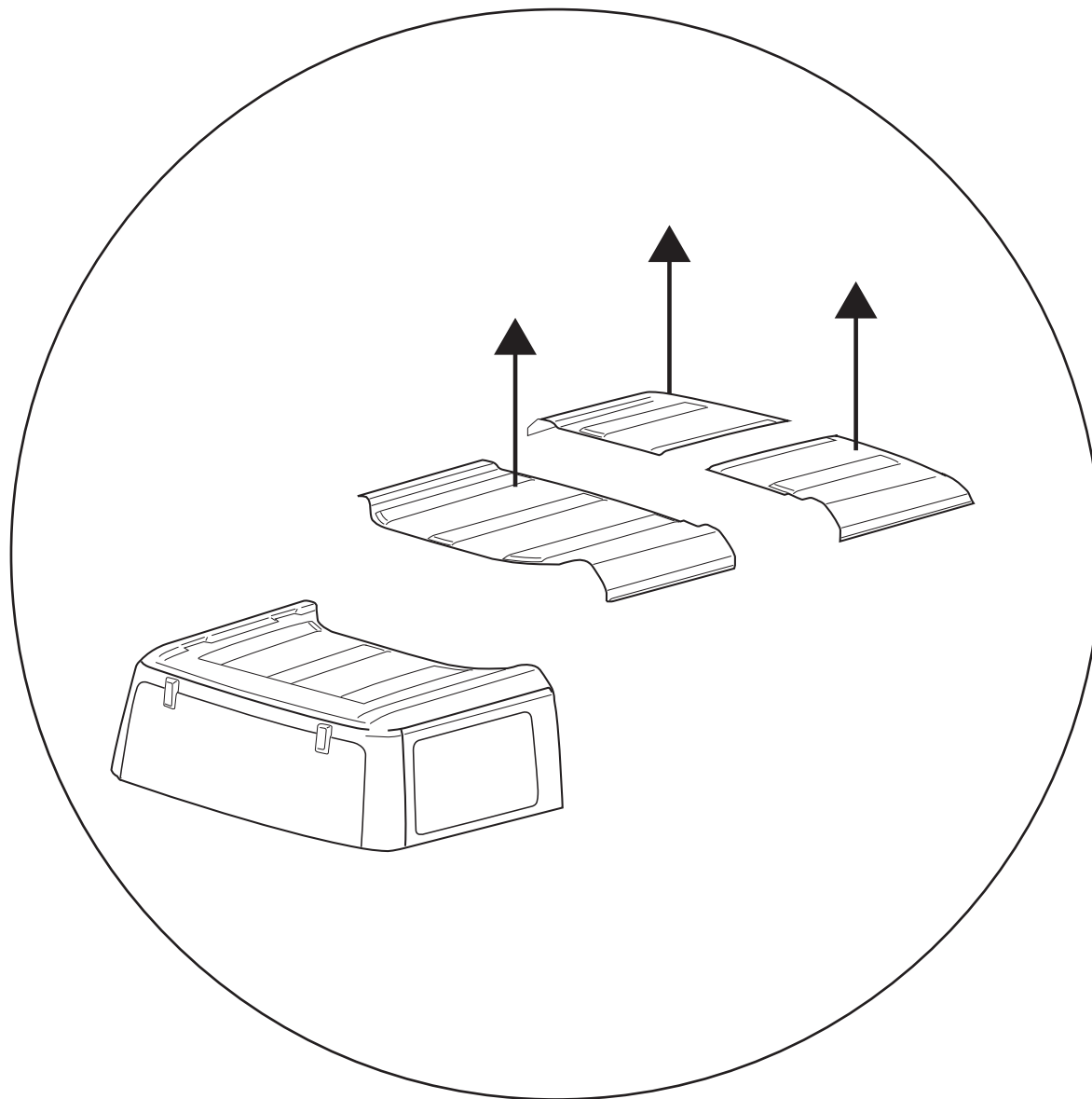


Rear Halo Foam  
Part #646.69  
Qty. 2

**Torque specs**  
**6mm fasteners**  
5.16 ft/lbs (61 in/lbs)  
**8mm Fasteners**  
14.75 ft/lbs (106+ in/lbs)

**Section 1** Remove Factory Top Panels

Remove the hardtops front and center panels.  
(See owners manual for details)



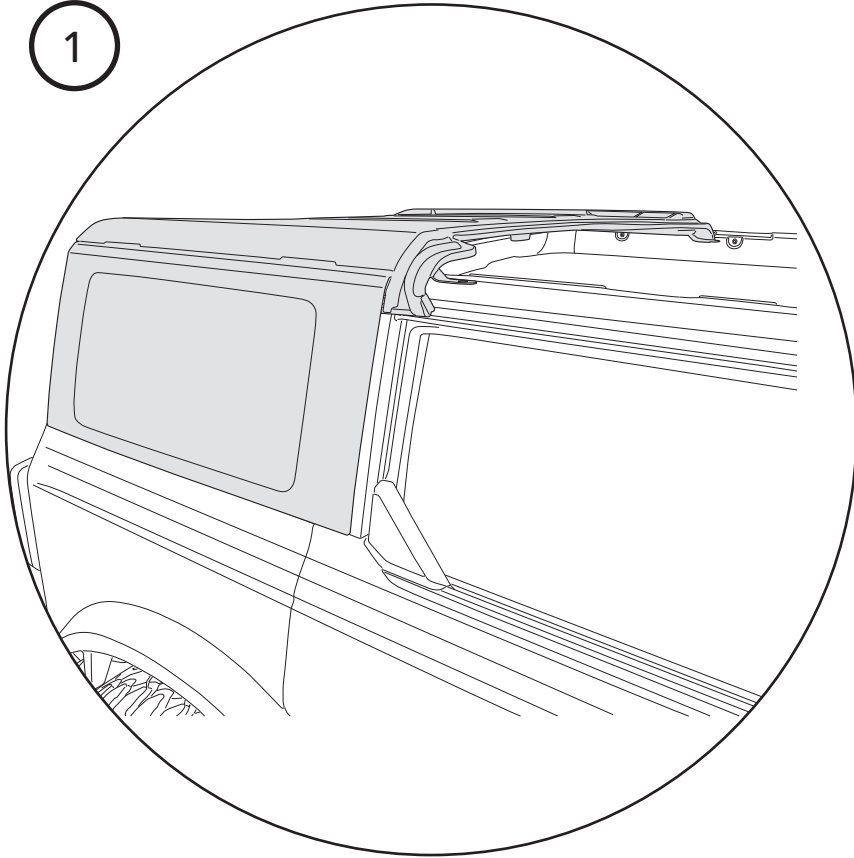
## Section 2 Move Factory Rear Shell rearward

### Tools



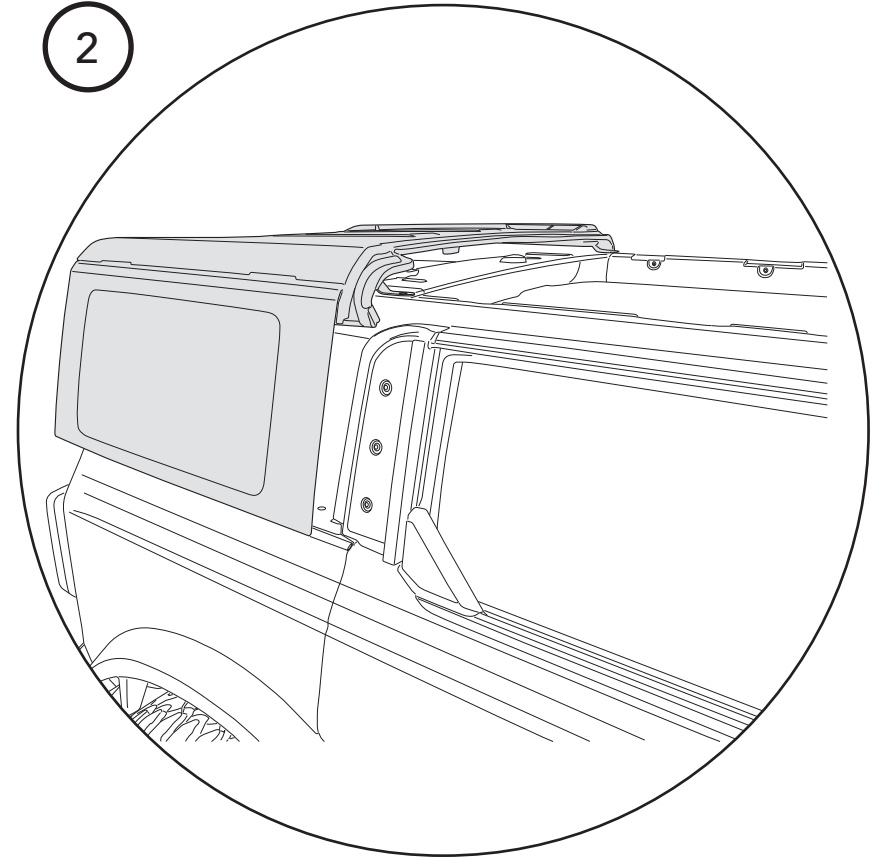
T40 and T50  
Torx Drivers

1



Remove the factory hardtop mounting fasteners.  
(See owners manual for details)

2



Move the rear shell of the factory hardtop rearward  
ten (10) inches.

**TIP**

It will be easier moving the  
hardtop with two people.

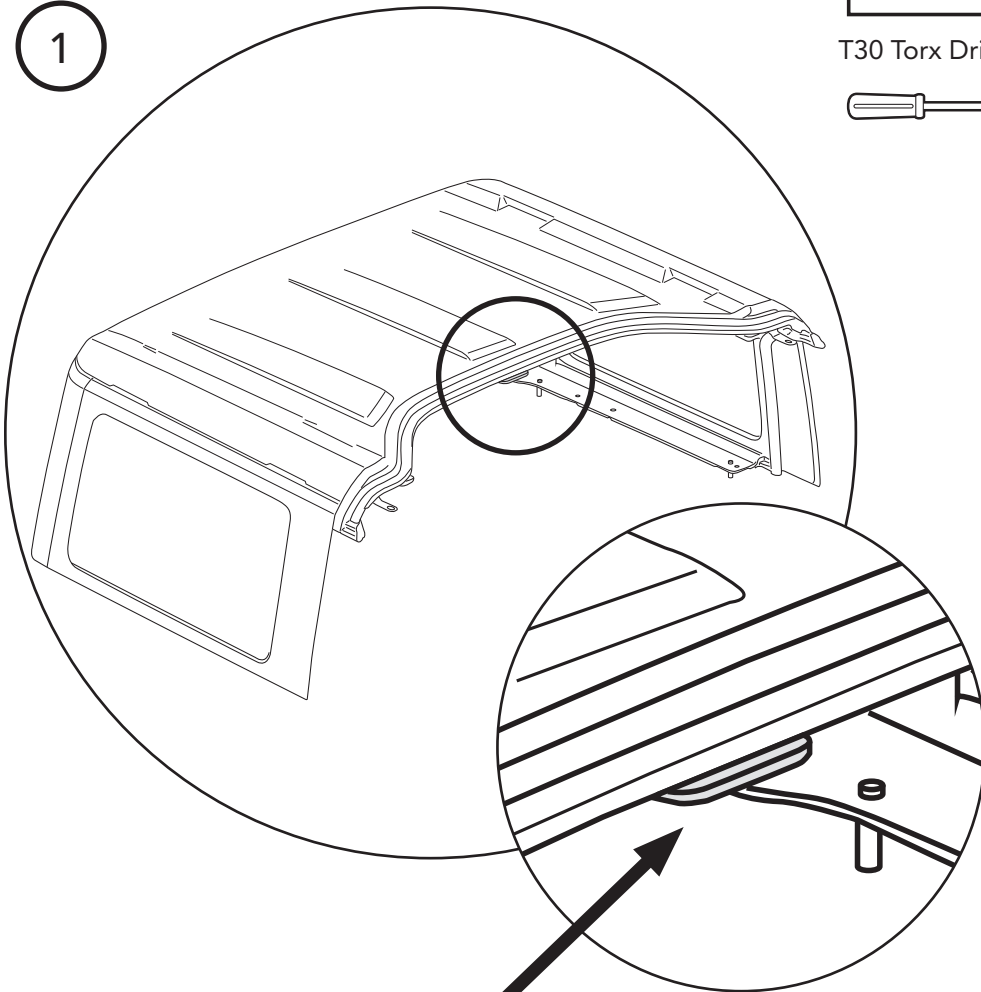
### Torque specs

6mm fasteners  
5.16 ft/lbs (61 in/lbs)

8mm Fasteners  
14.75 ft/lbs (106+ in/lbs)

### Section 3 Install Halo Attach Bracket

1



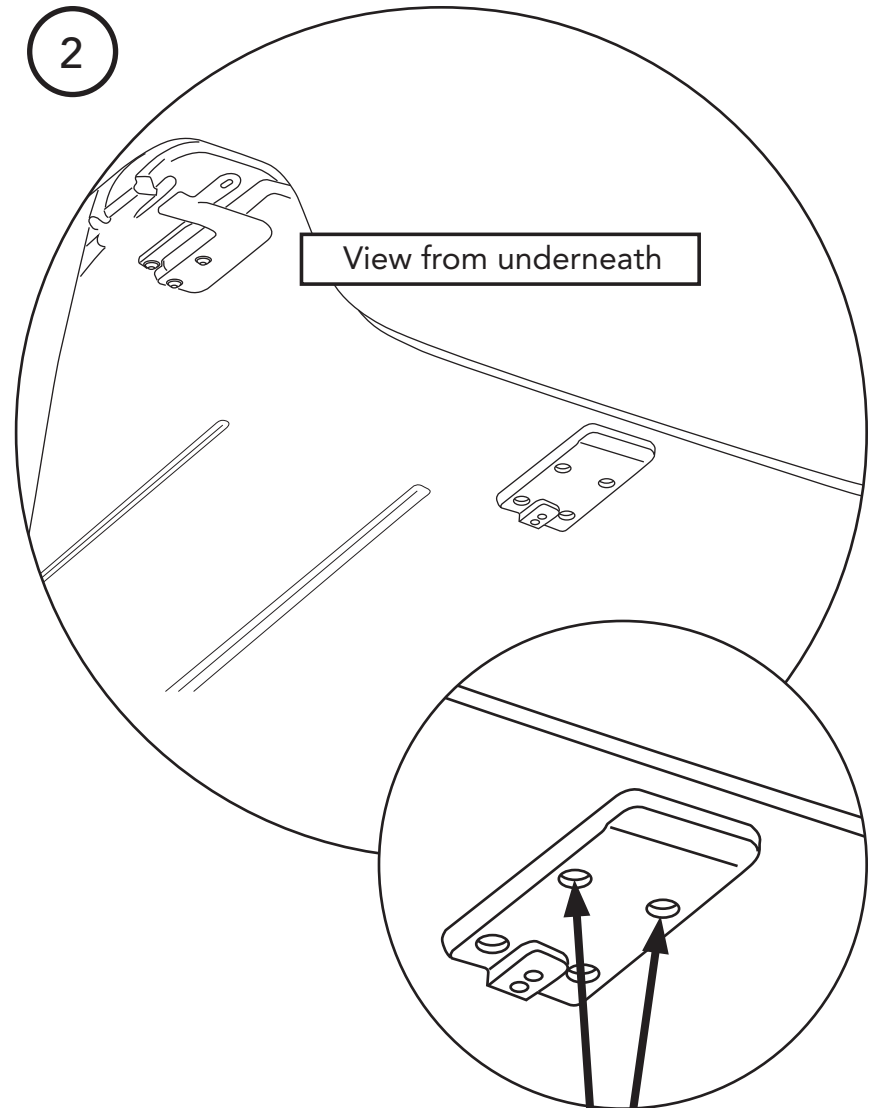
Locate the Latch Receiver Bracket.

Tools

T30 Torx Drivers



2



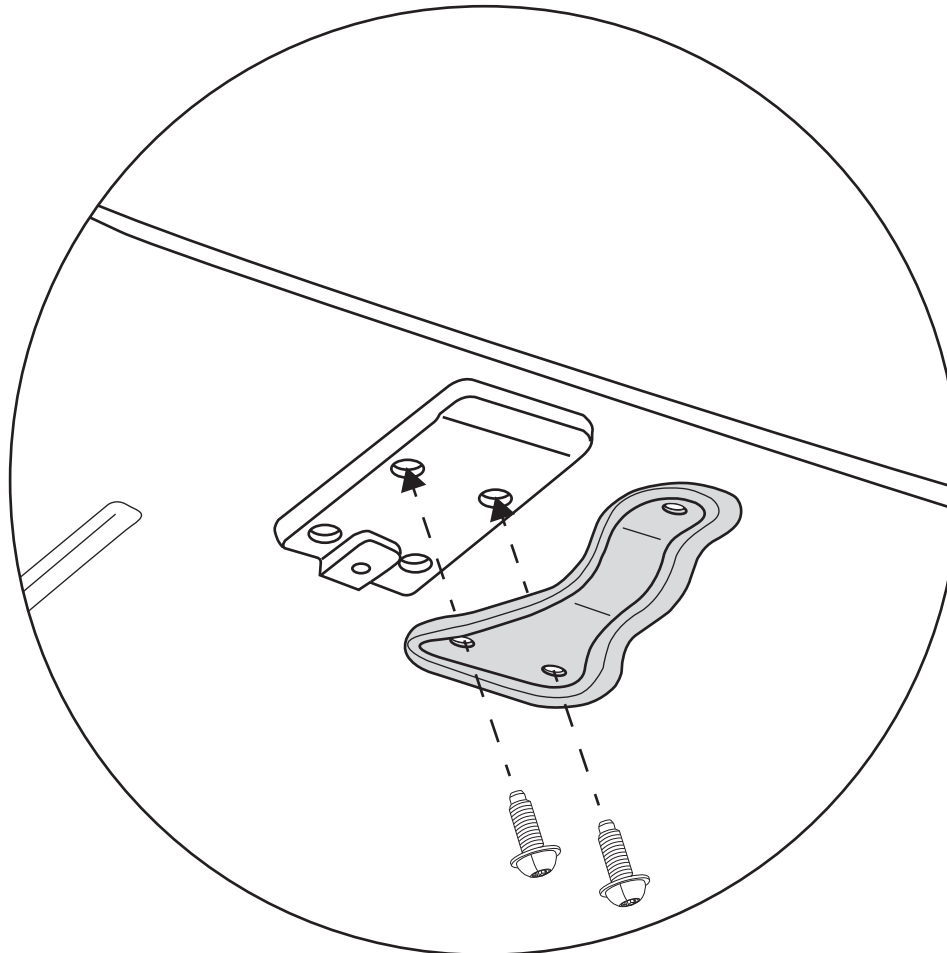
View from underneath

Remove two (2) screws

### Section 3 Install Halo Attach Bracket (cont.)

#### Tools

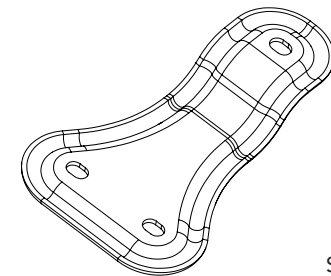
T30 Torx Drivers



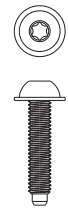
Place the Halo Attach Bracket on the latch receiver bracket then install two (2) M6 x 1 x 25mm Screws.

**NOTE:** Make sure the tab on the Halo Attach Bracket is above the latch receiver bracket when it is installed.

#### Parts

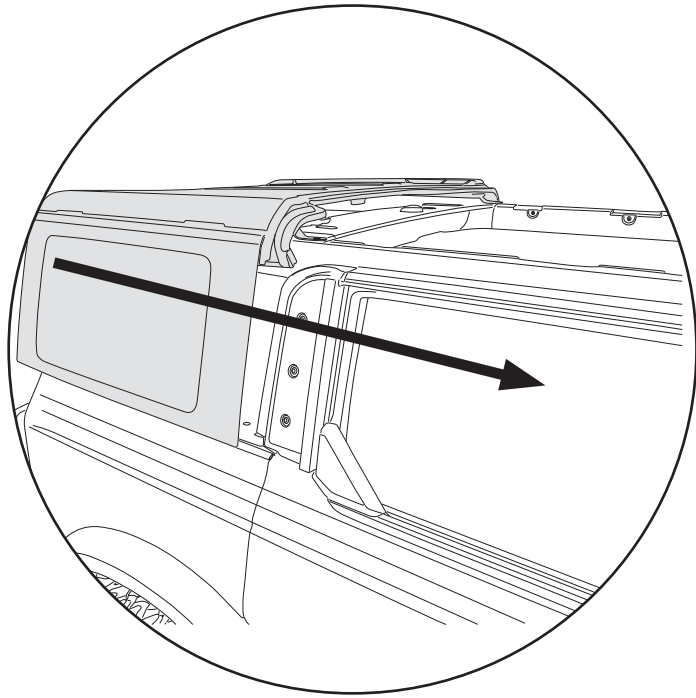


Halo Attach Bracket  
Part #619.42  
Qty. 1



SCREW, M6 X 1.0 X 25mm  
Part #535.23  
Qty. 2  
T-30 Torx

## Section 4 Re-Attach the Factory Rear Shell

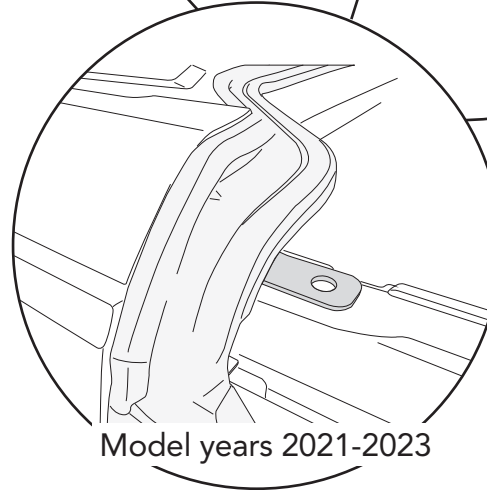
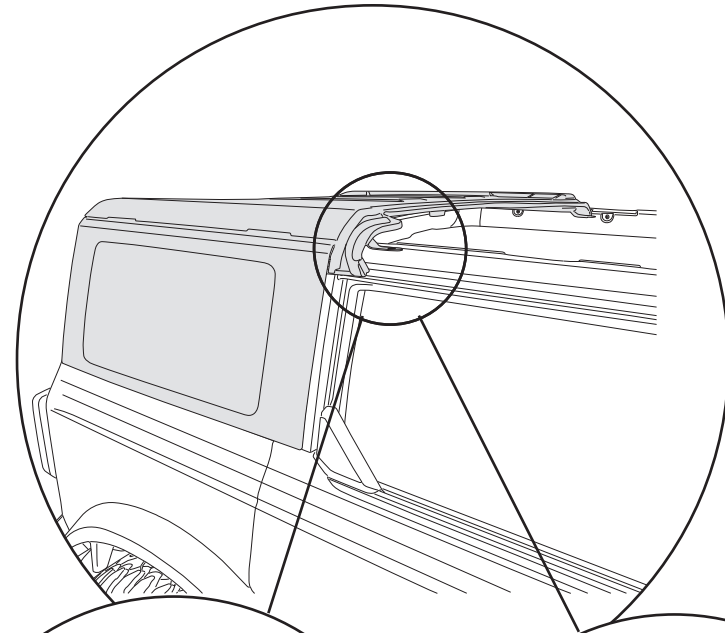


Move the rear shell of the factory hardtop forward to the factory mounting position then replace the fasteners that mount the hardtop to the vehicle body. (See owners manual for details)

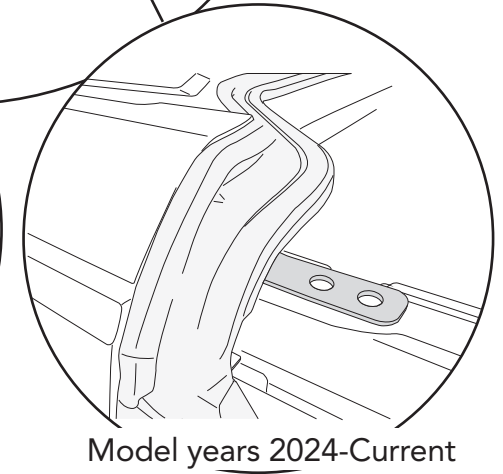
### Tools



T40 and T50  
Torx Drivers



Model years 2021-2023



Model years 2024-Current

**TIP**

It will be easier moving the hardtop with two people.

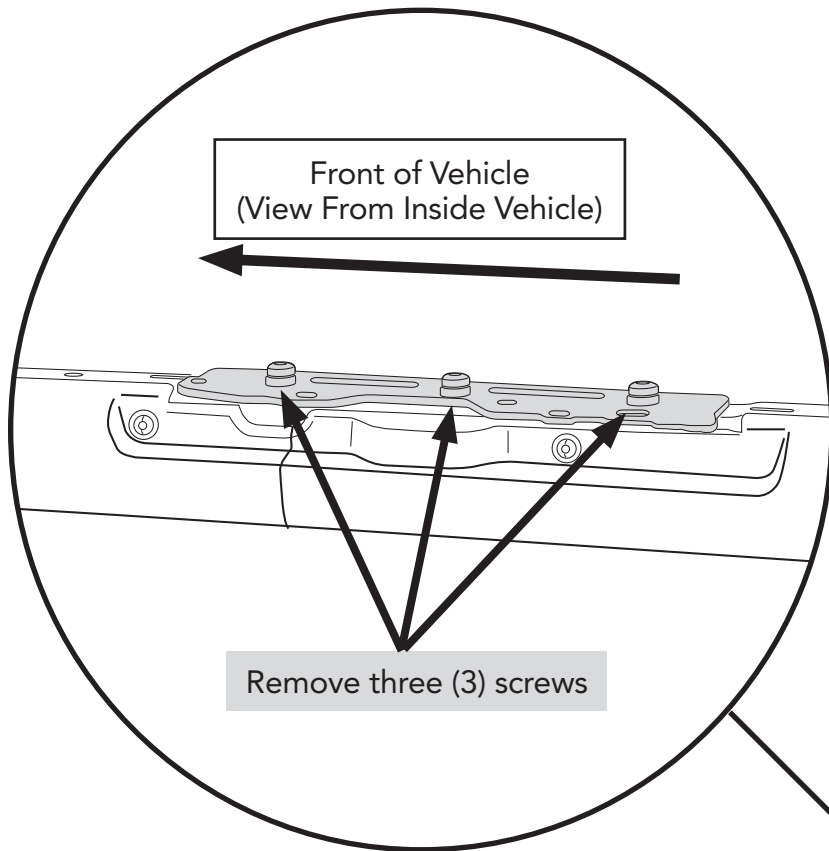
**NOTE:** Do not re-install the M8 Screws that were removed from this location at this time. These will be re-installed later during the installation.

## Section 5 Remove Hardtop Panel Retainer Brackets

Tools

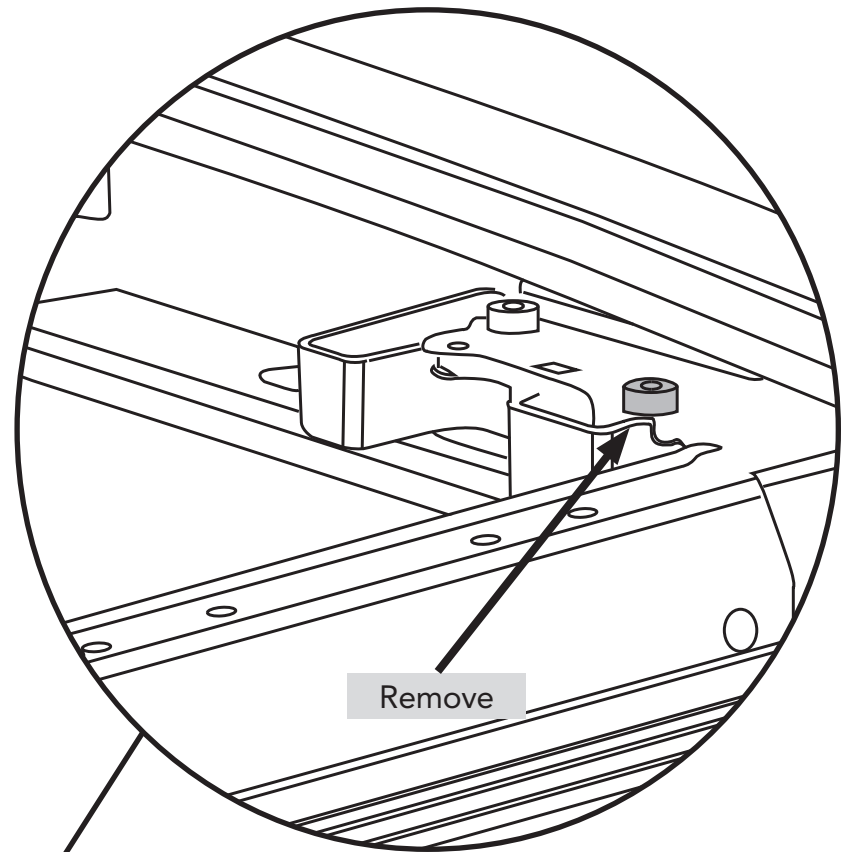


T50  
Torx Driver



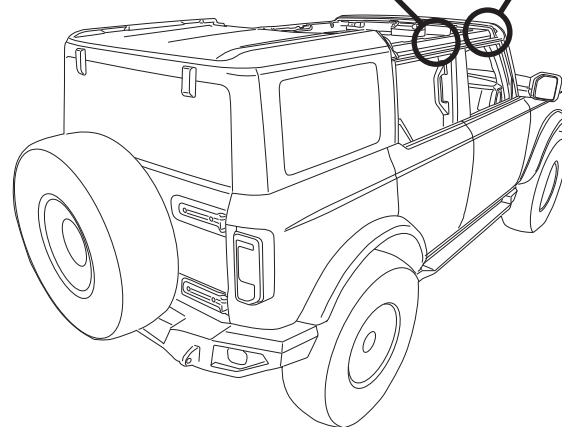
Remove three (3) screws and the hardtop panel retainer bracket from the vehicle.

Repeat on the left side of the vehicle.



Remove the screw from the vehicle.

Repeat on the left side of the vehicle.



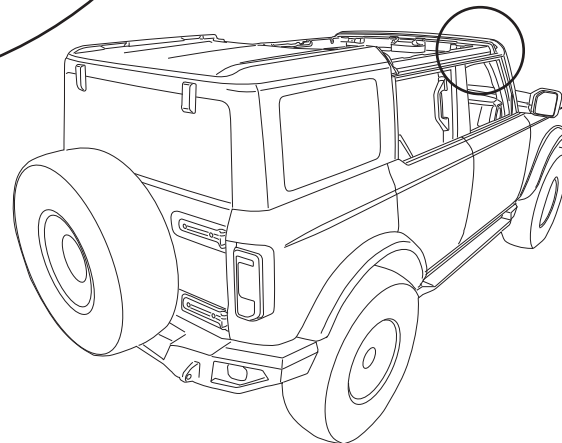
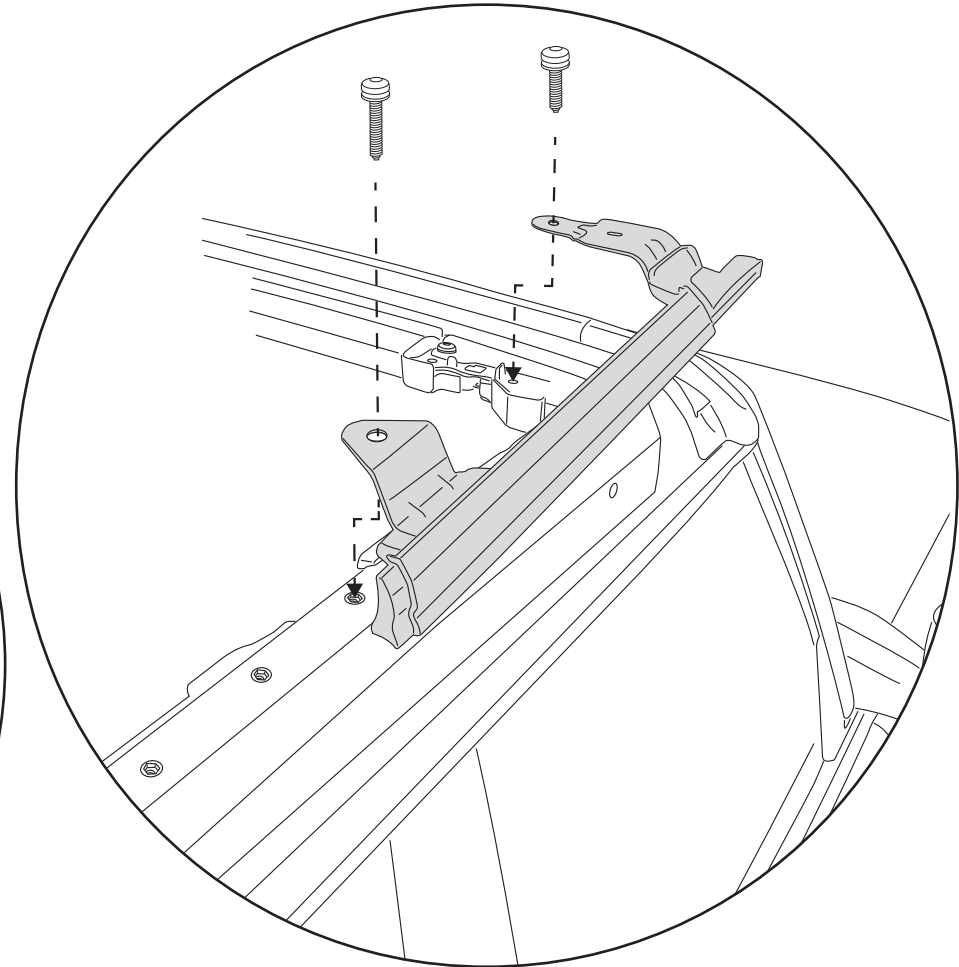
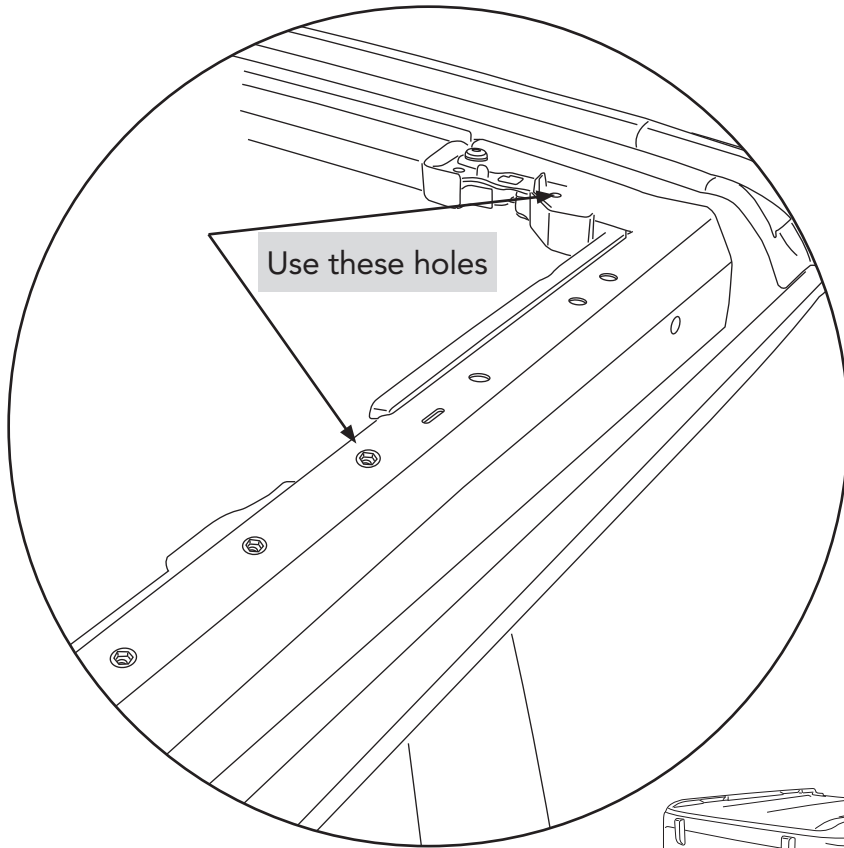
**NOTE:** Hold onto these screws. They will be used to mount the Sunrider to the vehicle

## Section 6 Install Front Door Rails

### Tools



T50  
Torx Driver



Position the Front Door Rail over the holes then replace the screws that were just removed.

Repeat on the left side of the vehicle.

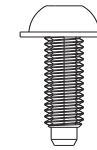
## Section 7 Assemble Side Rails

### Tools

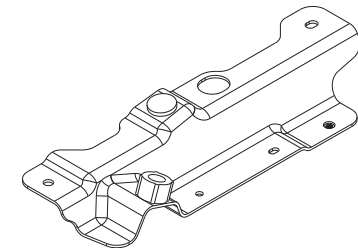
T30 Torx Drivers



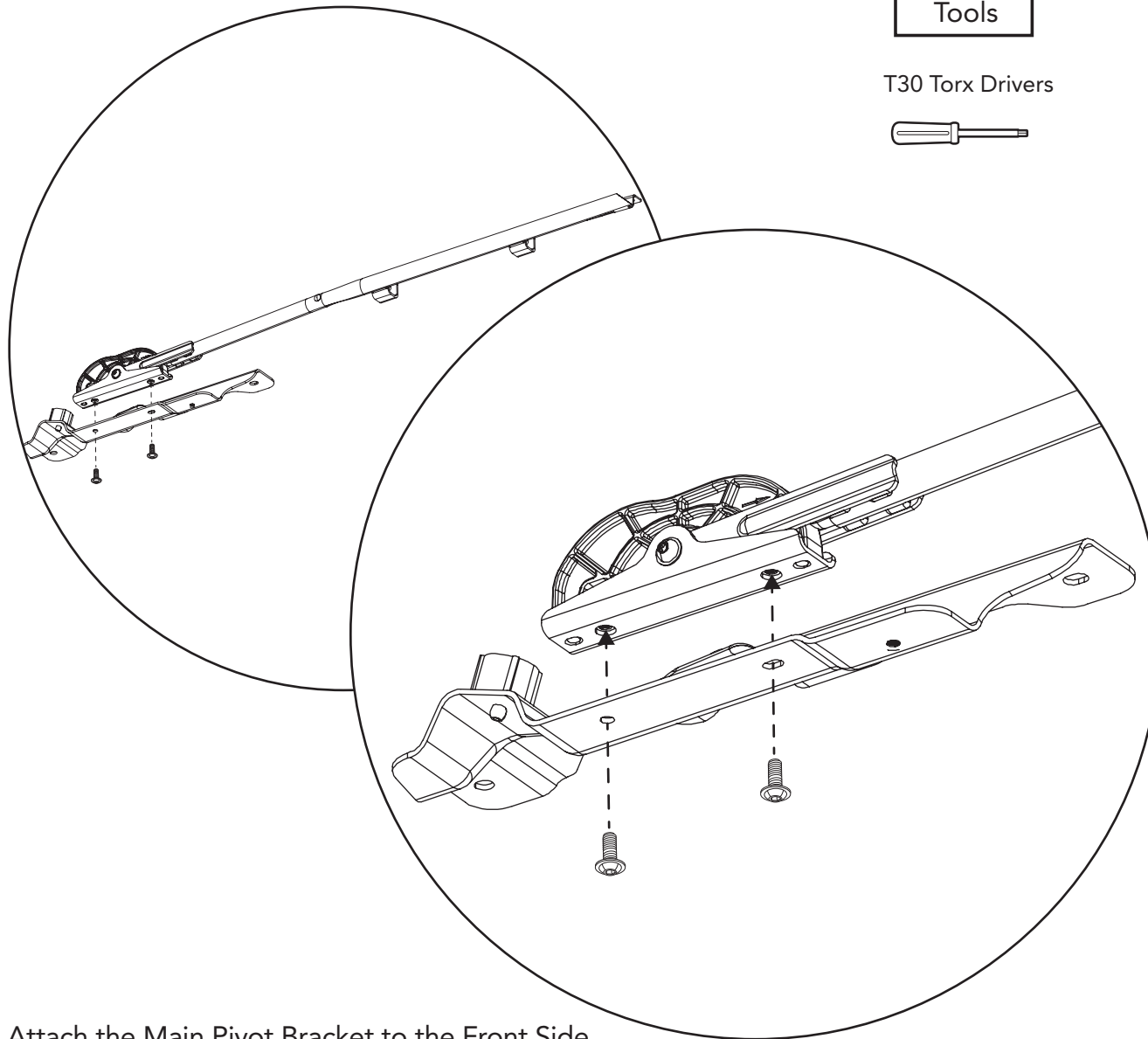
### Parts



SCREW, M6 X 1.0 X 15mm  
Part #533.61  
Qty. 4  
T-30 Torx

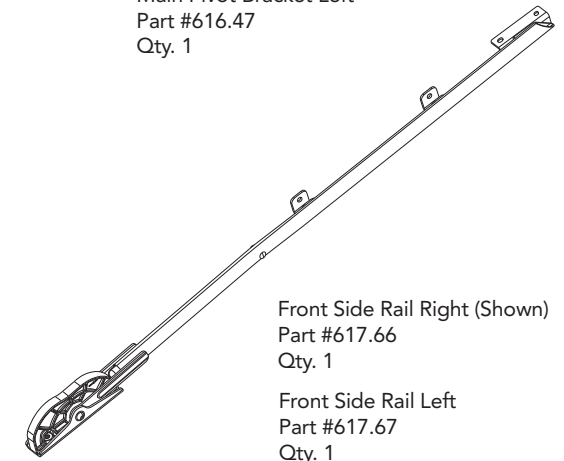


Main Pivot Bracket Right (Shown)  
Part #616.46  
Qty. 1  
Main Pivot Bracket Left  
Part #616.47  
Qty. 1



Attach the Main Pivot Bracket to the Front Side Rail (Right) using two (2) M6 x 1.0 x 15 mm screws

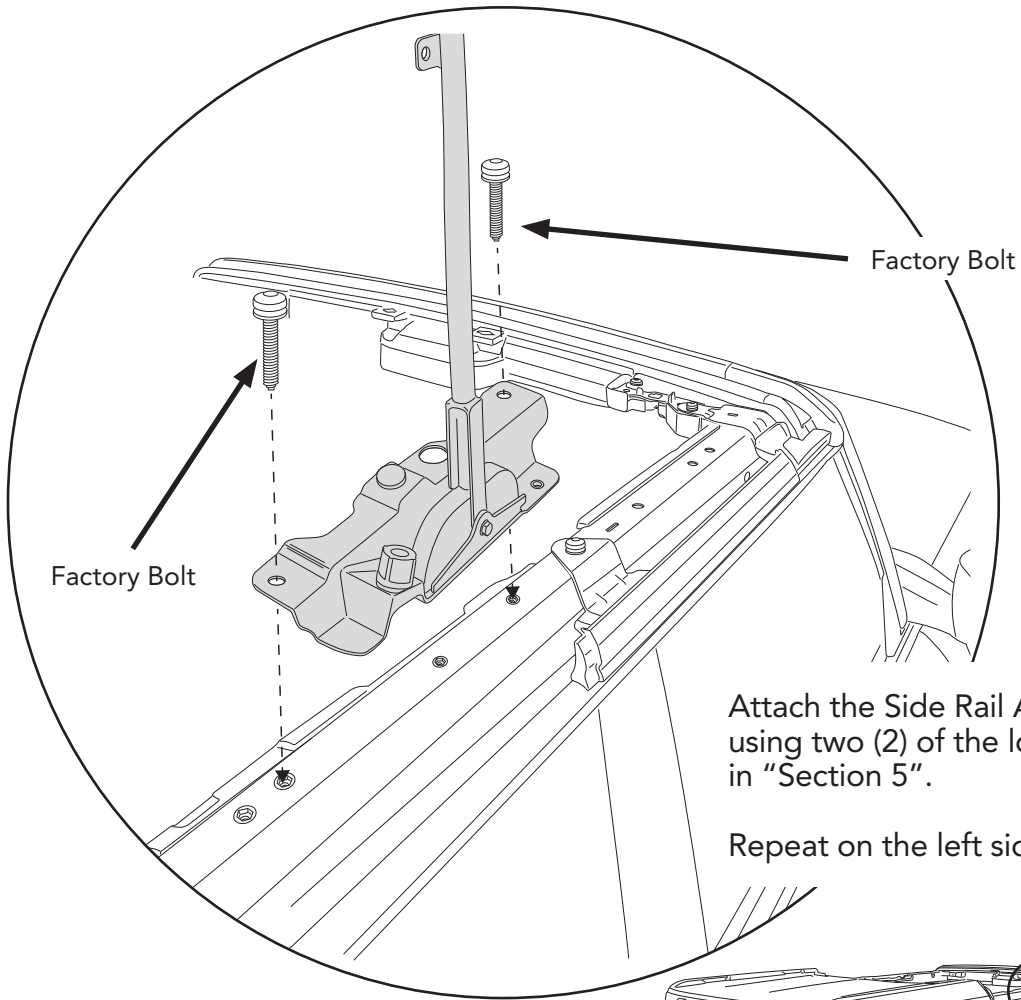
Repeat on the left side of the vehicle.



Front Side Rail Right (Shown)  
Part #617.66  
Qty. 1

Front Side Rail Left  
Part #617.67  
Qty. 1

## Section 8 Install Side Rail Assemblies

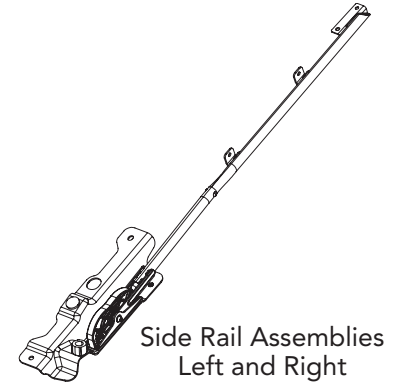


### Tools



T50  
Torx Driver

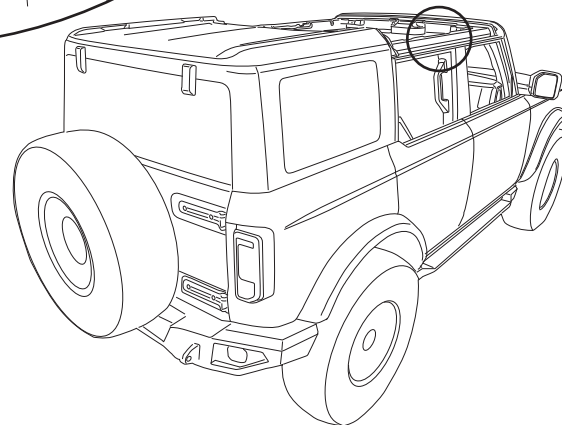
### Parts



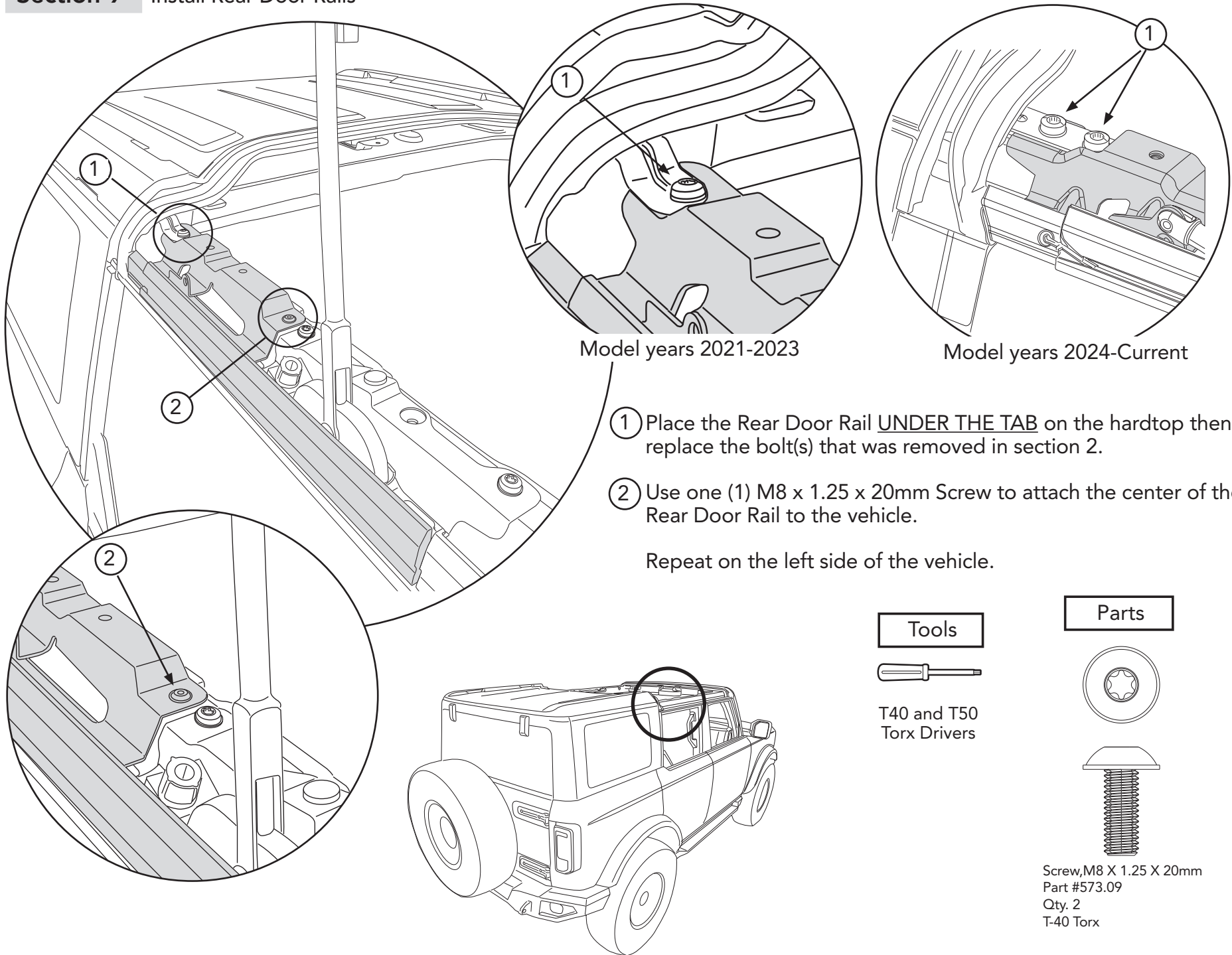
Two (2) of the bolts (Longer)  
removed in "Section 5"

Attach the Side Rail Assembly to the vehicle (Right)  
using two (2) of the longer bolts that was removed  
in "Section 5".

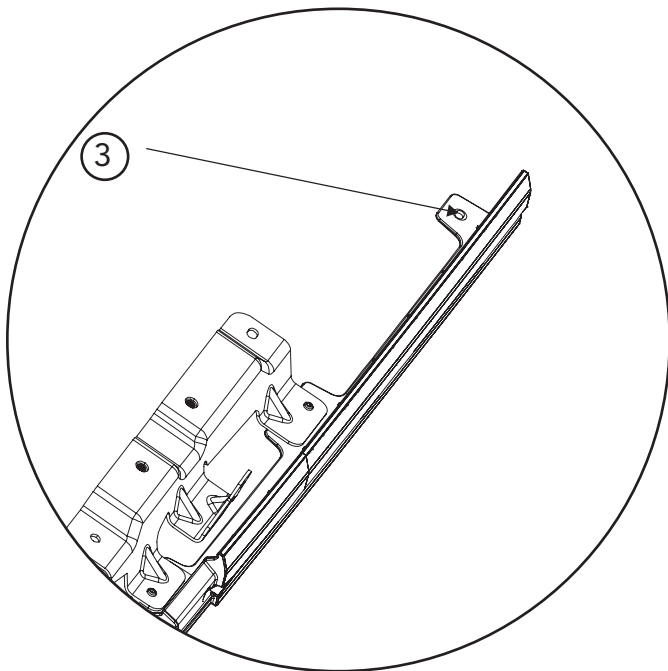
Repeat on the left side of the vehicle.



## Section 9 Install Rear Door Rails



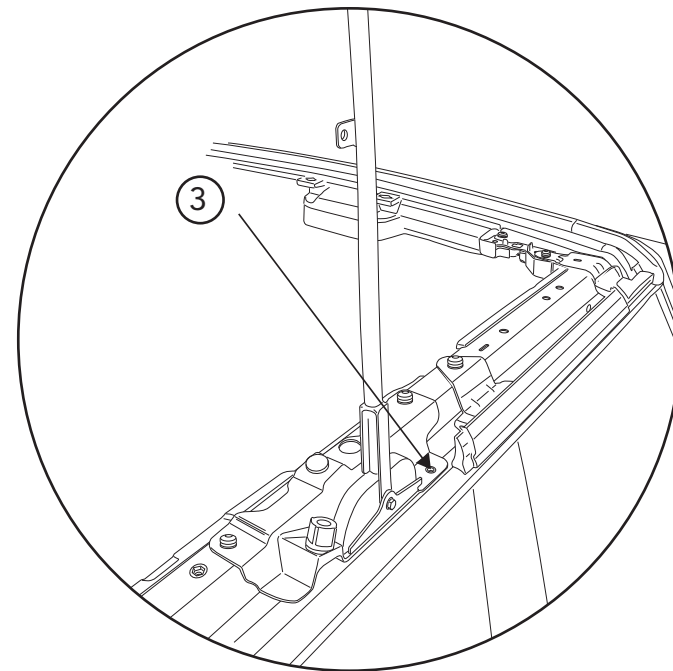
## Section 9 Install Rear Door Rails (Cont)



### Tools

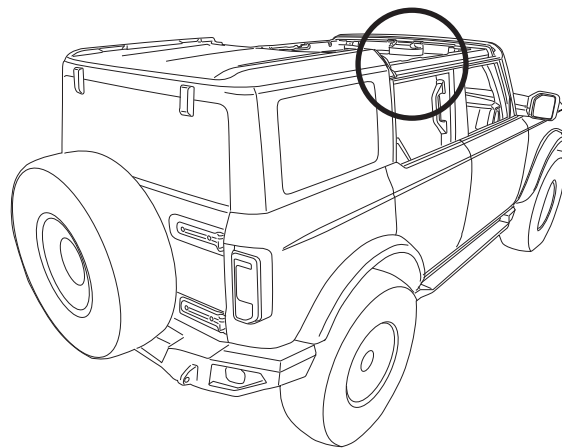


T30  
Torx Driver

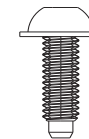


- ③ Use one (1) M6 x 1.0 x 15mm Screw to attach the front of the Rear Door Rail to the Main Pivot Bracket.

Repeat on the left side of the vehicle.



### Parts



SCREW, M6 X 1.0 X 15mm  
Part #533.61  
Qty. 2  
T-30 Torx

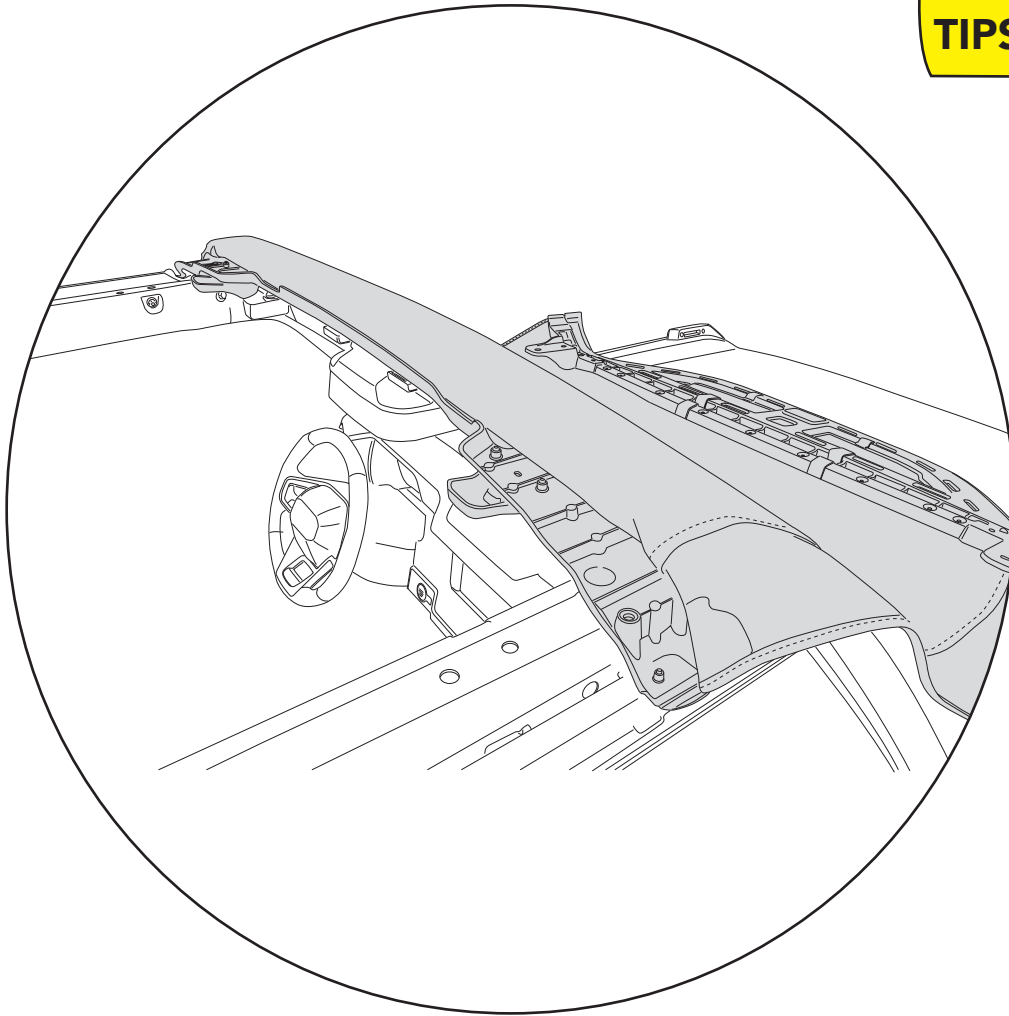
## Section 10 Place Top Assembly On Vehicle

### TIPS

Placing a soft blanket on the hood of the vehicle and removing the radio antenna will protect the vehicle from scratches and make it easier to get the Top Assembly onto the windshield frame.

It will be easier moving the Top Assembly with two people.

Remove antenna to make access to the right side of the vehicle easier.



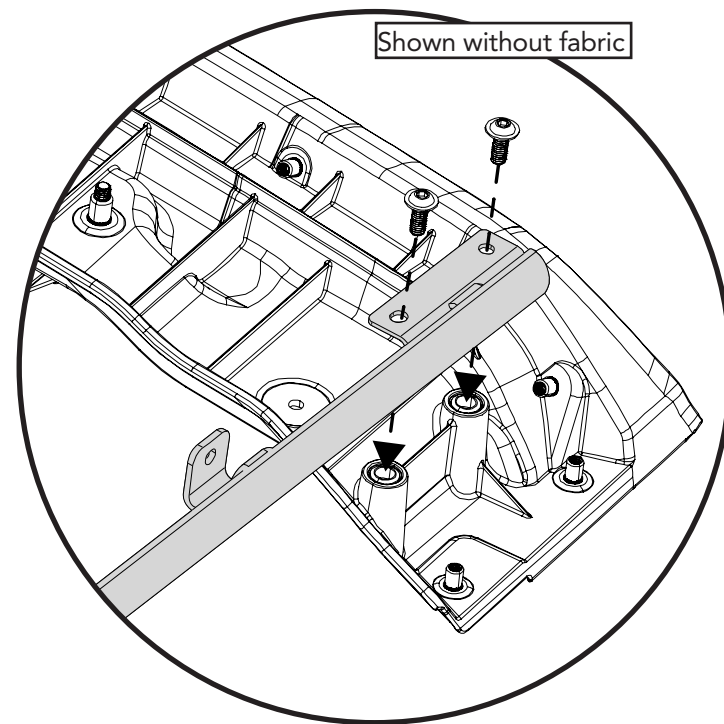
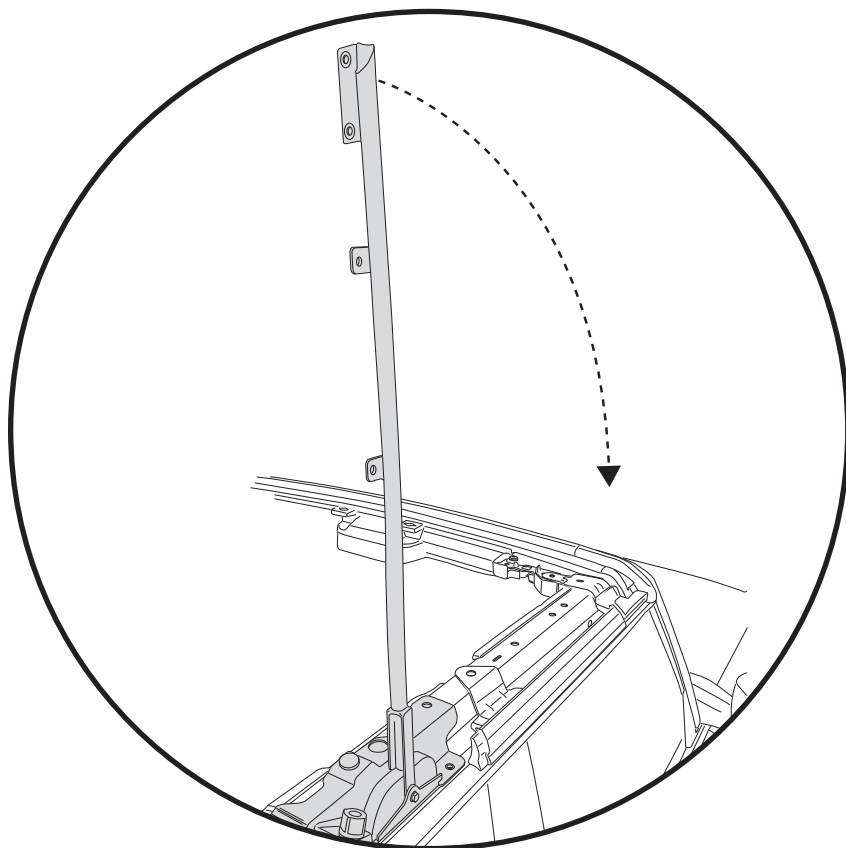
Place the Top Assembly on top of the windshield frame. While keeping the front header on the windshield frame, drape the fabric and rear header over the windshield and let it rest on the hood of the vehicle.

## Section 11 Attach Side Bows to Header (Top Assembly)

### Tools



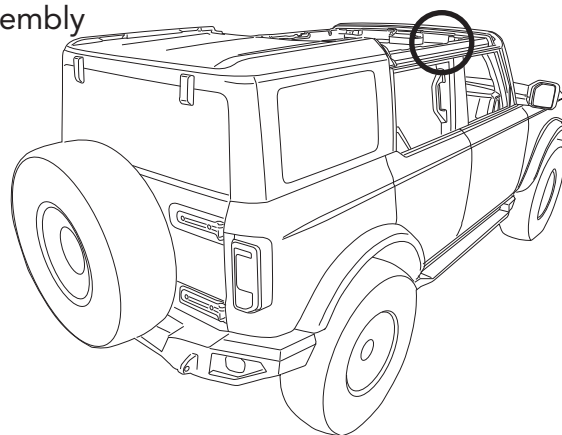
T30 Torx Driver



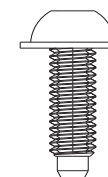
Shown without fabric

Attach the Side Bow to the #1 Bow (Part that latches to the windshield) using two (2) M6 x 15mm Screws.

Repeat on the other side of the Fabric Assembly

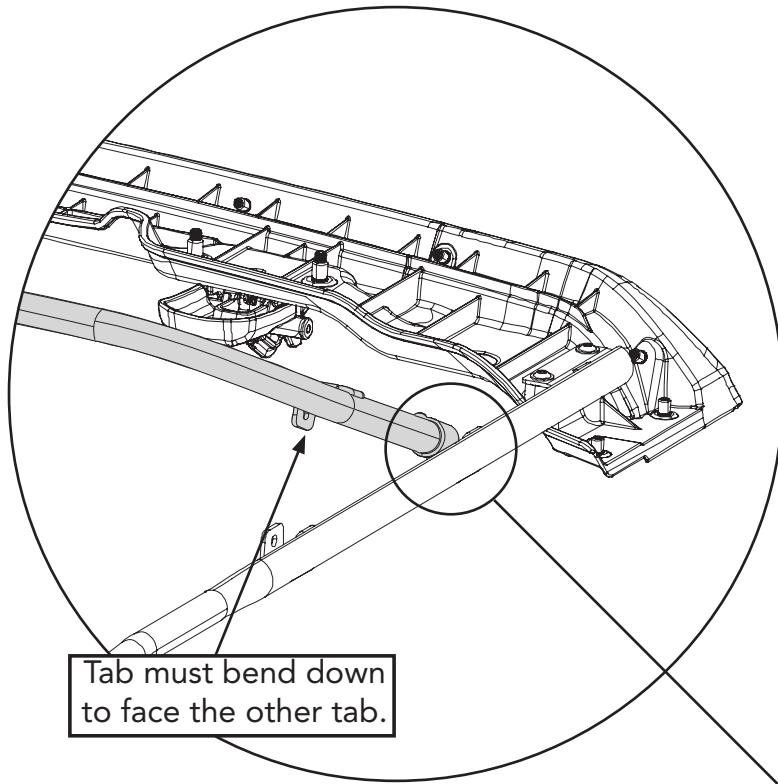


### Parts



SCREW, M6 X 1.0 X 15mm  
Part #533.61  
Qty. 4  
T-30 Torx

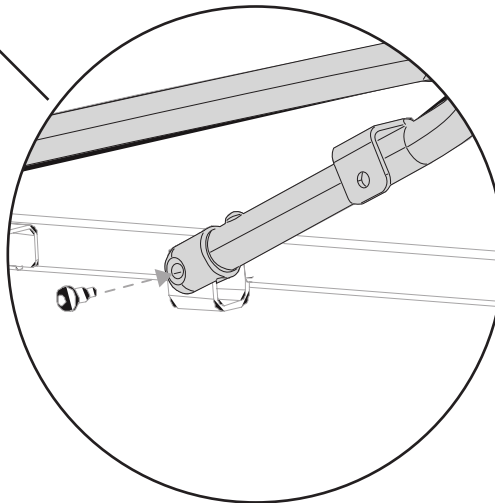
## Section 12 Install 1.5 Bow



Tab must bend down to face the other tab.

Attach the 1.5 Bow to the Front Side Rails using two (2) of the Pivot Knuckle Screws screws.

Repeat this step on the left side of the assembly.



### Tools



T30  
Torx Driver

### Parts

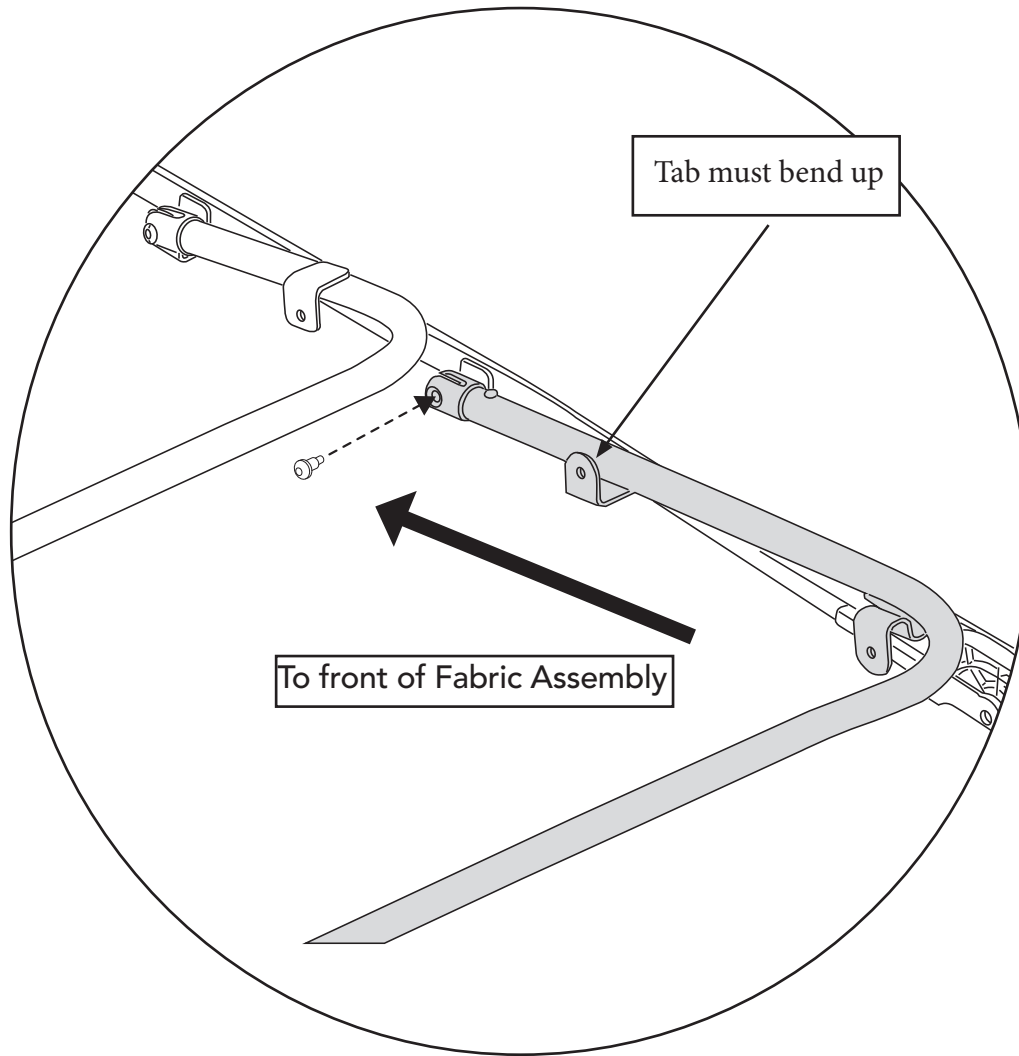


1.5 Bow Assembly  
Part #602.46  
Qty. 1



SCREW, Pivot Knuckle  
Part #308.65  
Qty. 2  
T-30 Torx

## Section 13 Install #2 Bow



### Tools



T30  
Torx Driver

### Parts



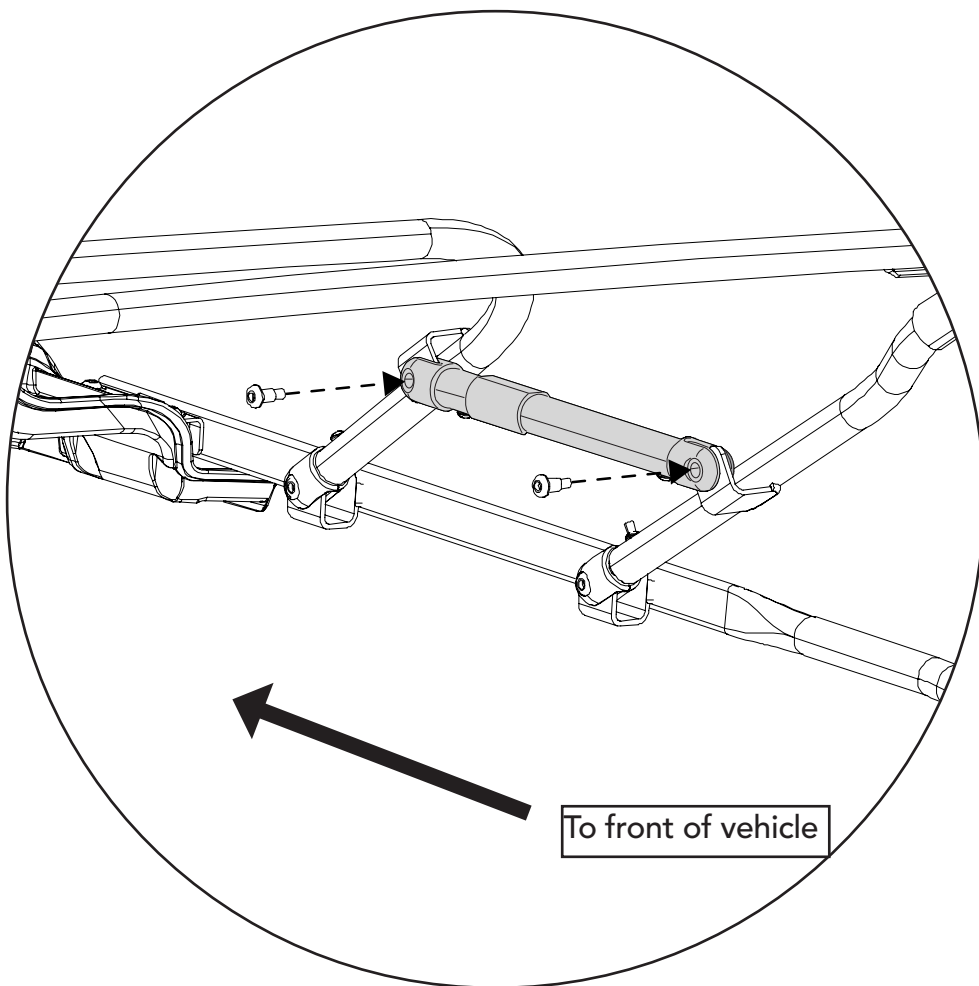
#2 Bow Assembly  
Part #617.40  
Qty. 1



SCREW, Pivot Knuckle  
Part #308.65  
Qty. 2  
T-30 Torx

Attach the 2 Bow to the Front Side Rails using two (2) of the Pivot Knuckle Screws.  
Repeat this step on the left side of the assembly.

## Section 14 Install 1.5 Bow Control Link



Attach the 1.5 Bow Control Linkage to the 1.5 Bow and the #2 Bow using two (2) of the Pivot Knuckle screws.

Repeat this step on the left side of the assembly.

### Tools



T30  
Torx Driver

### Parts



Control Linkage  
Part #602.75  
Qty. 2



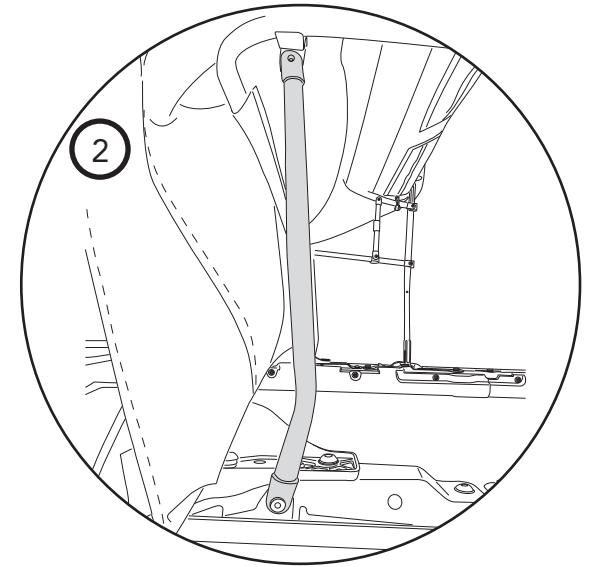
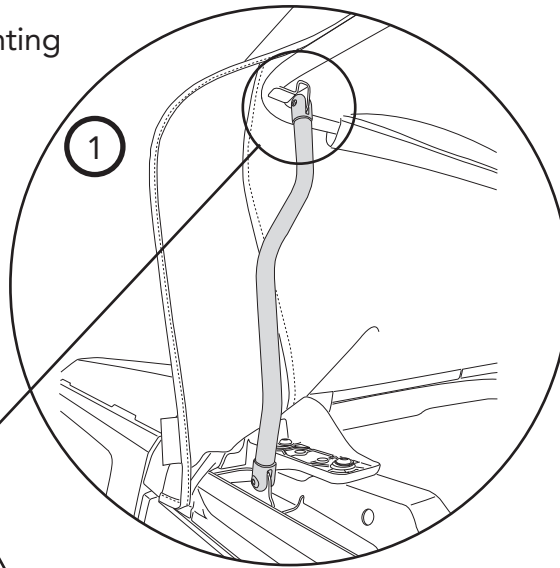
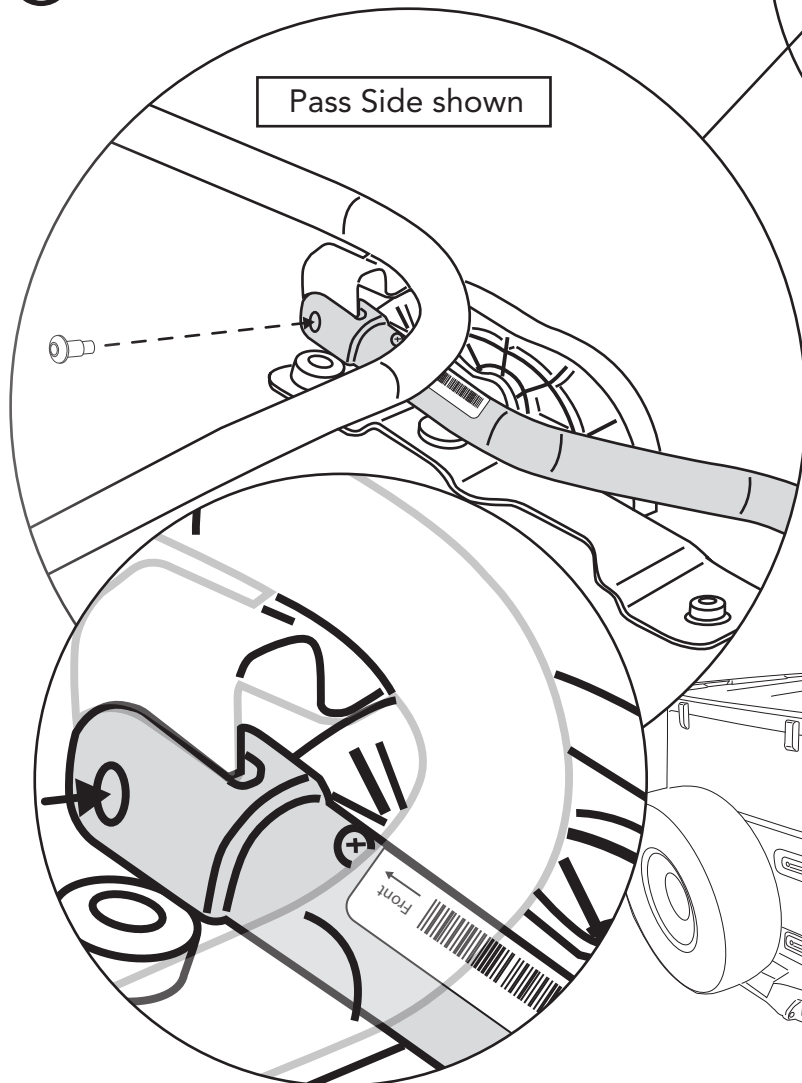
SCREW, Pivot Knuckle  
Part #308.65  
Qty. 4  
T-30 Torx

## Section 15 Install Control Link

Attach the Control Linkage to the #2 Bow (Tab is pointing down) using one (1) of the Pivot Knuckle screws.

Repeat this step on the left side of the assembly.

- 1 Linkage bends inward - Tab on #2 Bow.
- 2 Linkage bends up - Tab on Rear door Rail



### Tools

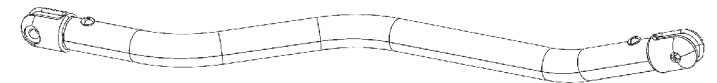


T30  
Torx Driver

### Parts



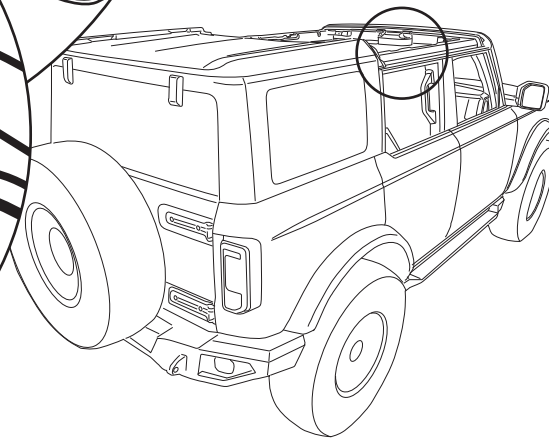
SCREW, Pivot Knuckle  
Part #308.65  
Qty. 2  
T-30 Torx



Control Link (Right)  
Part #620.86  
Qty. 1



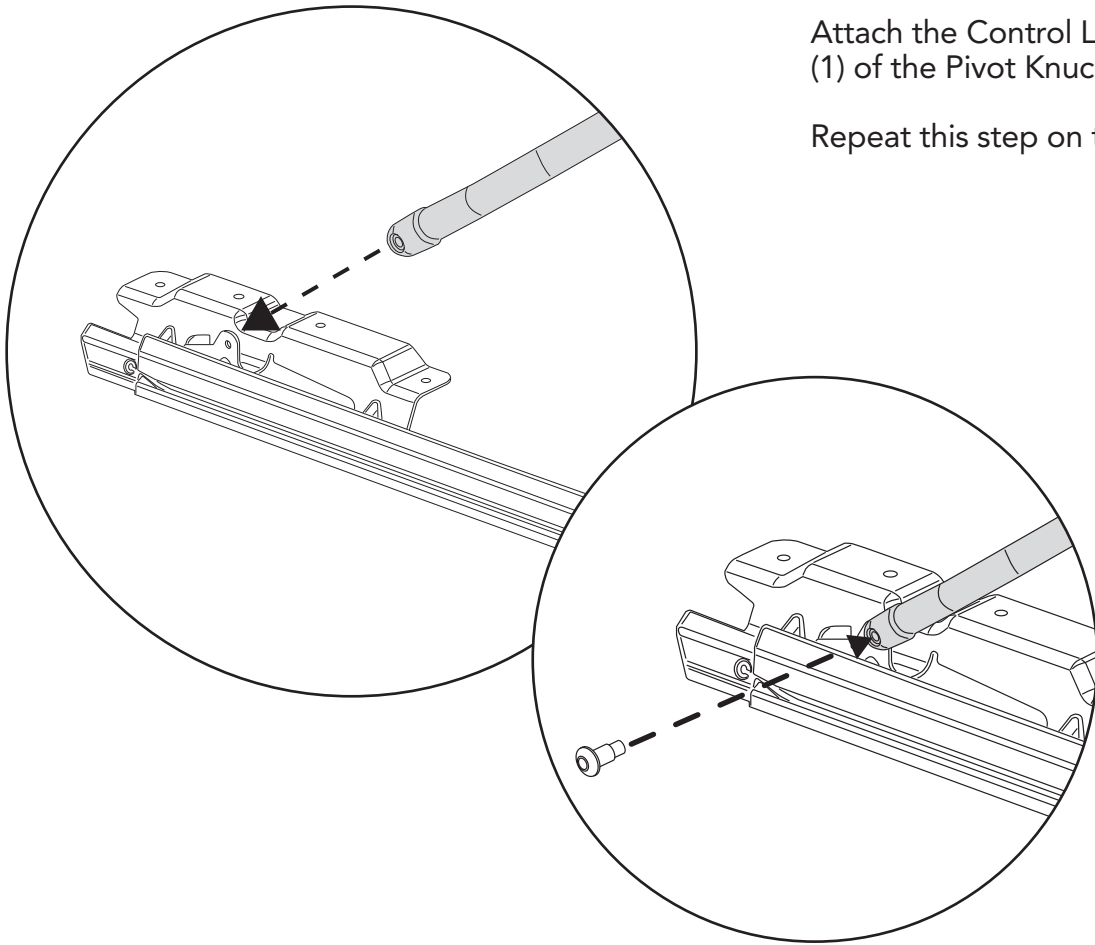
Control Link (Left)  
Part #620.87  
Qty. 1



## Section 15 Install Control Link (cont.)

Attach the Control Linkage to the Rear Door Rail using one (1) of the Pivot Knuckle screws.

Repeat this step on the left side of the assembly.



### Tools

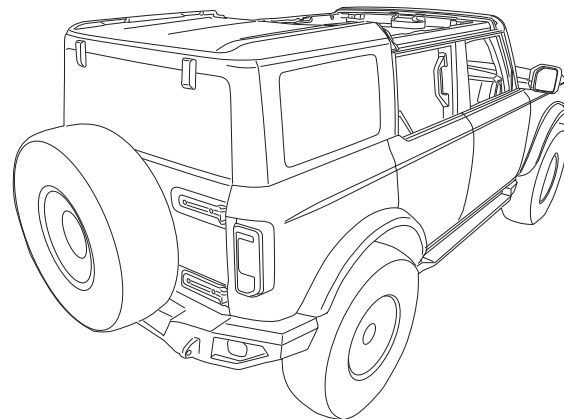


T30  
Torx Driver

### Parts

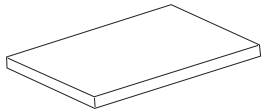


SCREW, Pivot Knuckle  
Part #308.65  
Qty. 2  
T-30 Torx



## Section 16 Install Rear Halo Foam

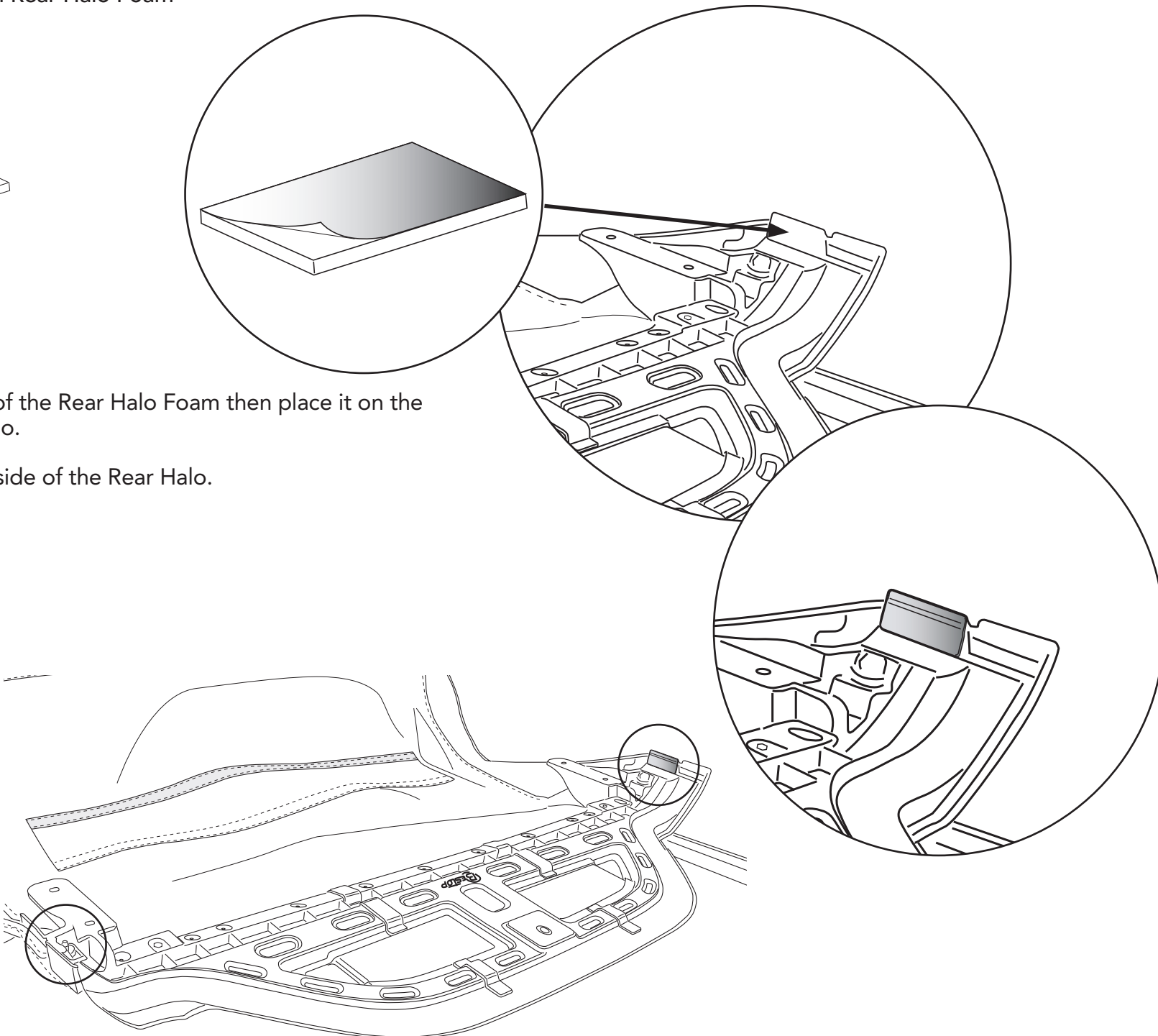
### Parts



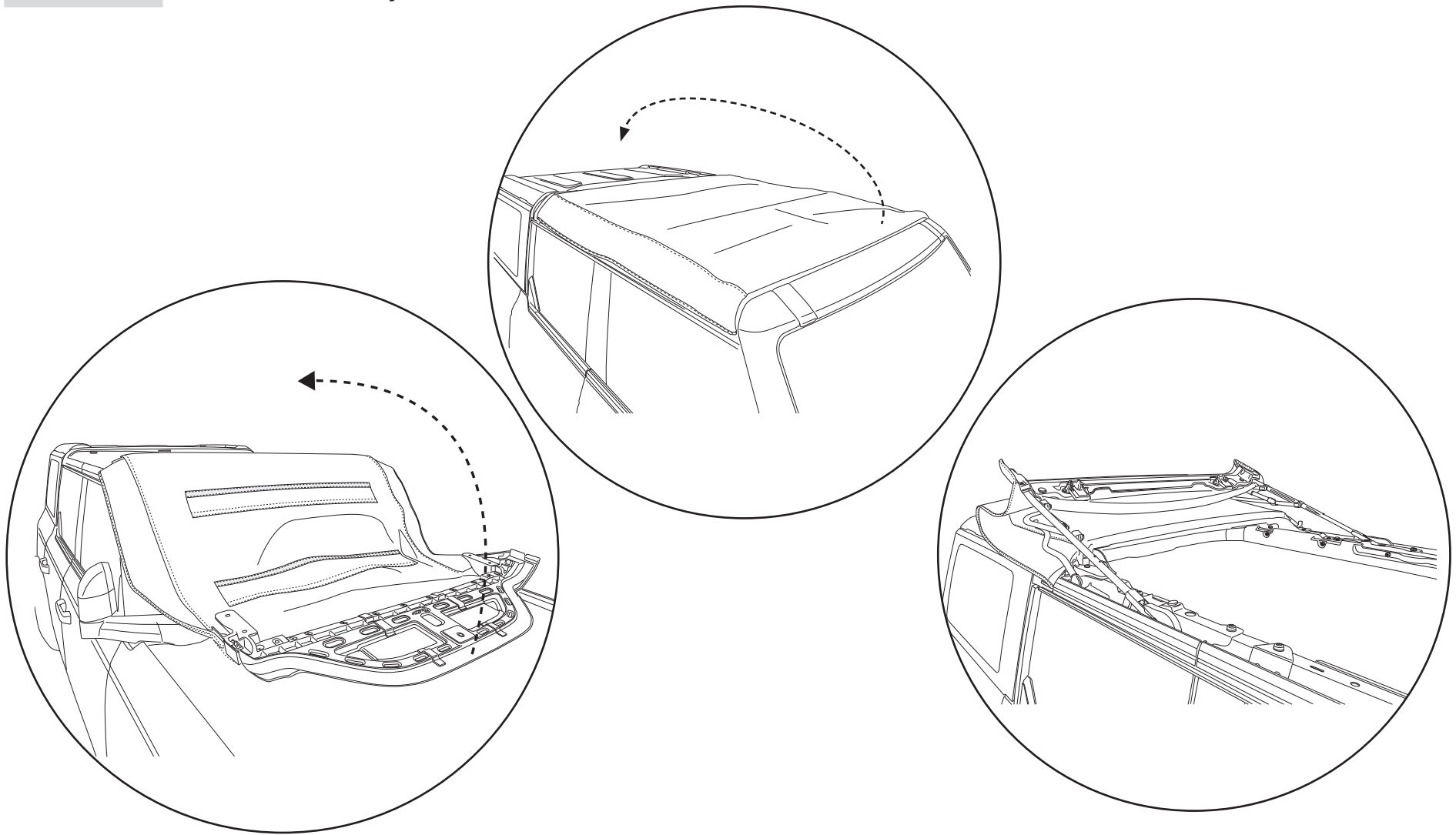
Rear Halo Foam  
Part #646.69  
Qty. 2

Peel the backing off of the Rear Halo Foam then place it on the inside of the Rear Halo.

Repeat on the other side of the Rear Halo.



## Section 17 Pull Fabric Assembly Rearward



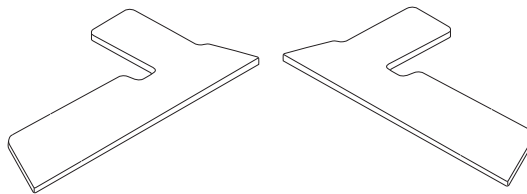
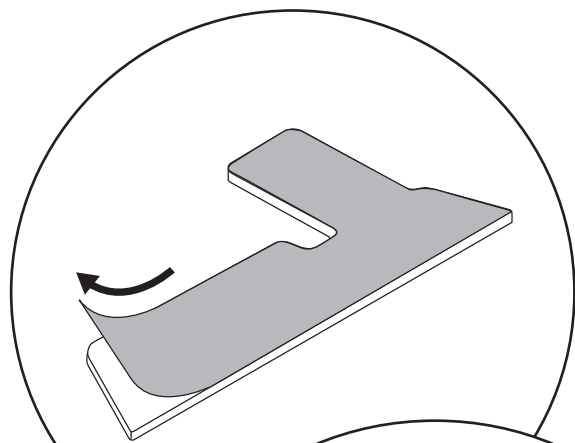
Pull the Fabric Assembly rearward and set the rear Header onto the hardtop then lift the front header up so the Side Bows are in a vertical position.



It will be easier moving the Top Assembly with two people.

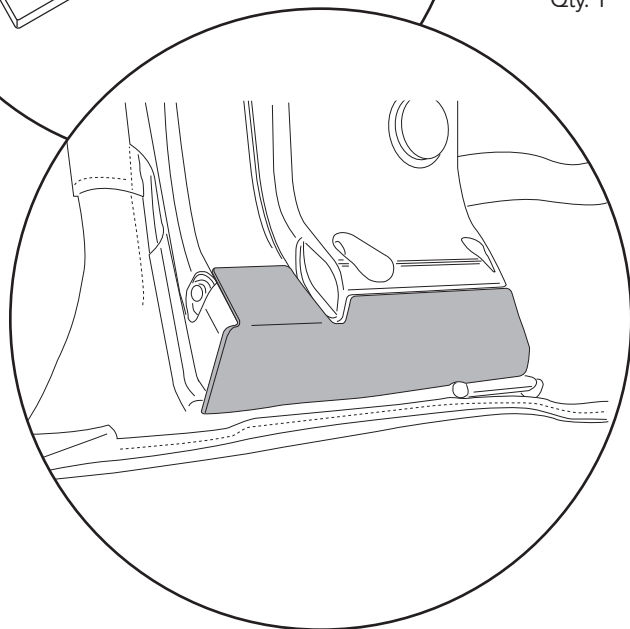
## Section 18 Install #1 Bow Foam and Attach #1 Bow

### Parts



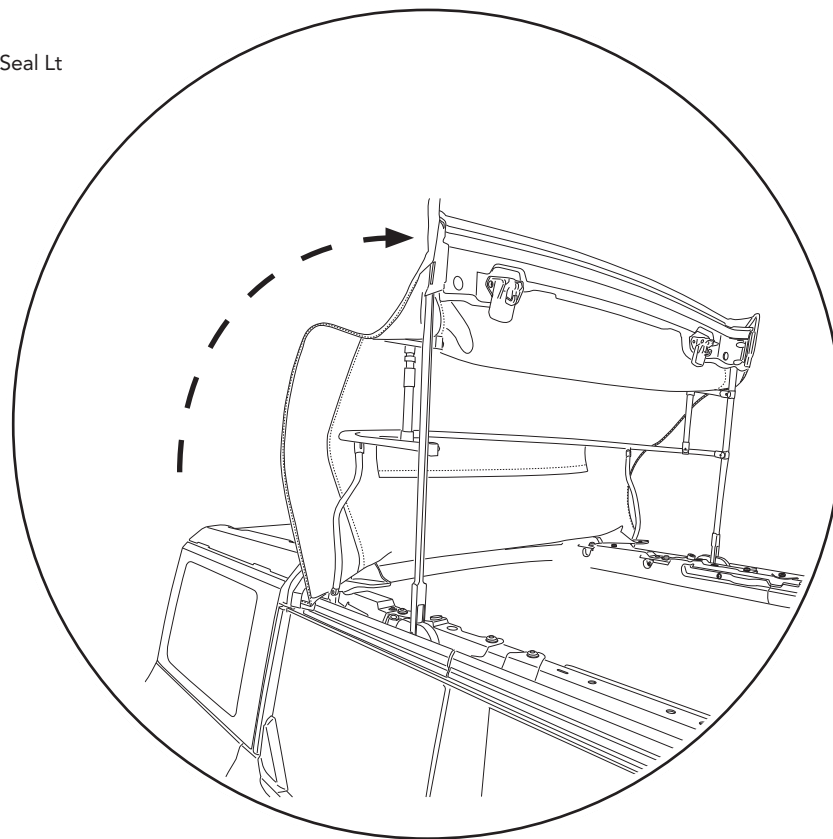
#1 Bow Foam Seal Rt  
Part #615.66  
Qty. 1

#1 Bow Foam Seal Lt  
Part #615.67  
Qty. 1



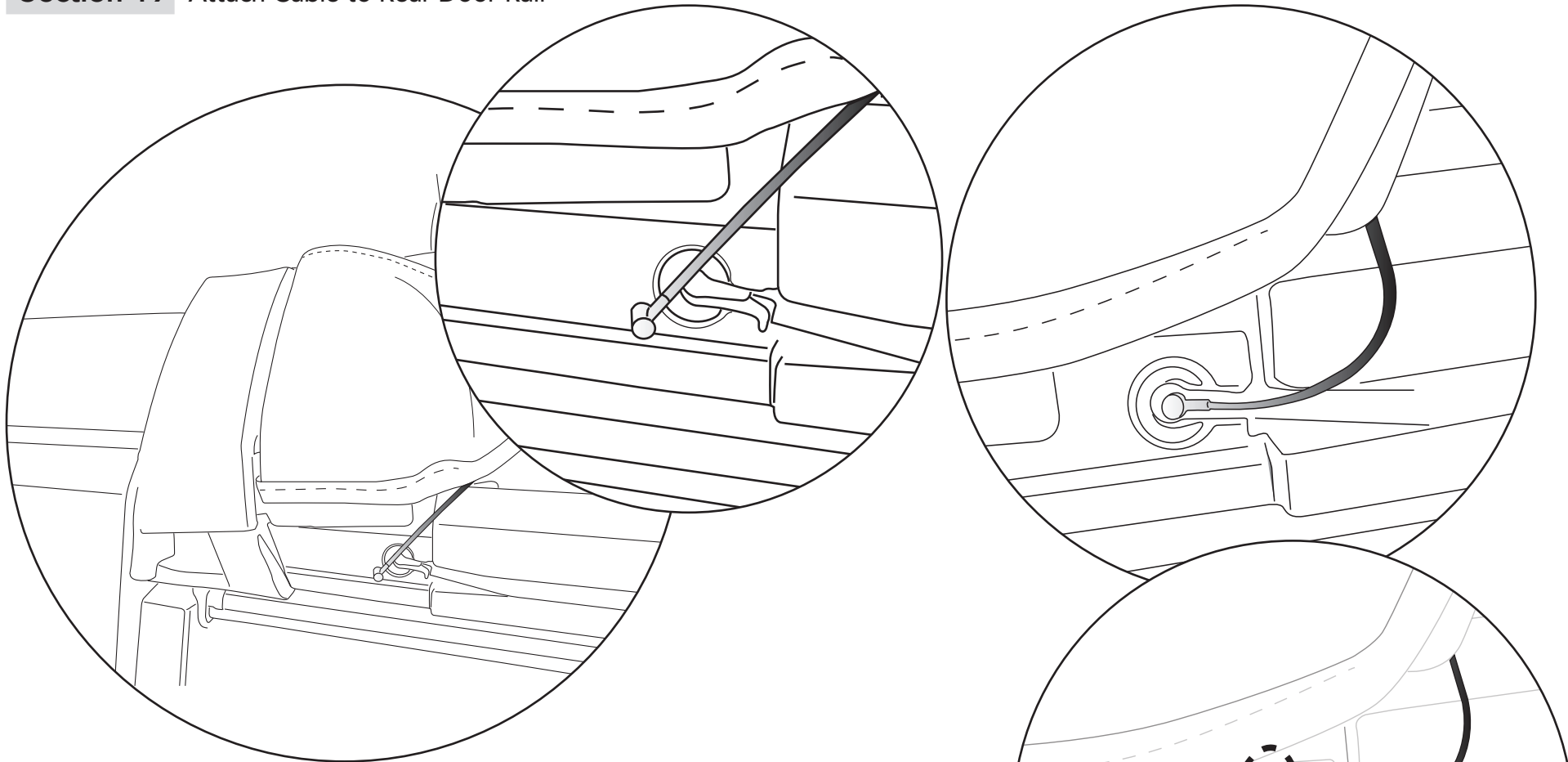
Peel the protective paper from the back of the #1 Bow Foam Seal then adhere it to the side of the #1 Bow.

Repeat this step on the left side of the assembly.

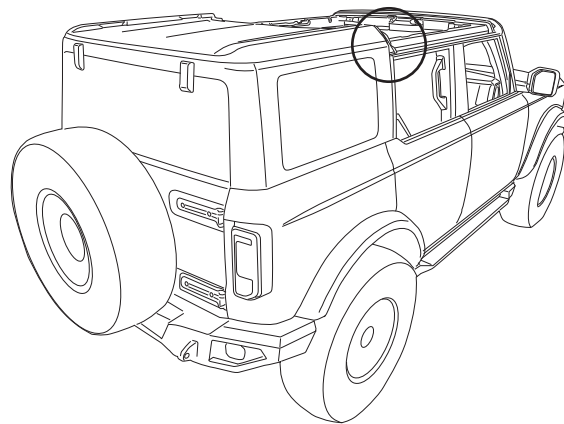


Put the #1 Bow into the vertical position.

## Section 19 Attach Cable to Rear Door Rail

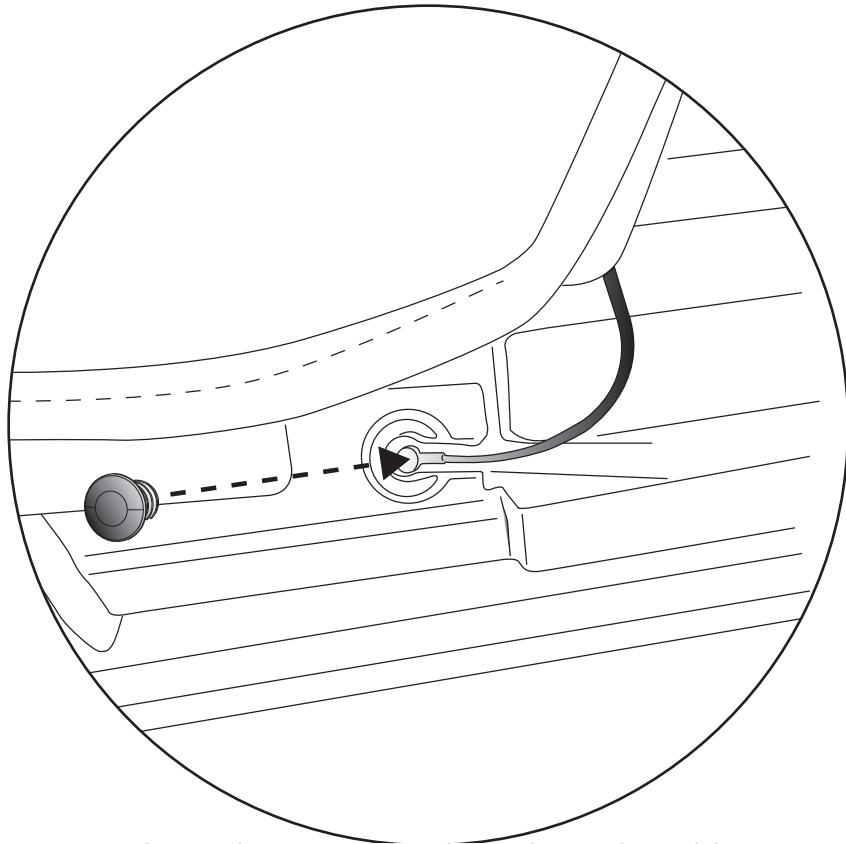


Find the cable located in the edge of the Fabric Assembly. Pull it down to the slot in the rear door rail then insert it into the slot.

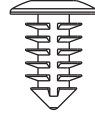


Rotate end of cable 1 quarter turn.  
(Ensure cast barrel is vertical in the pocket.)

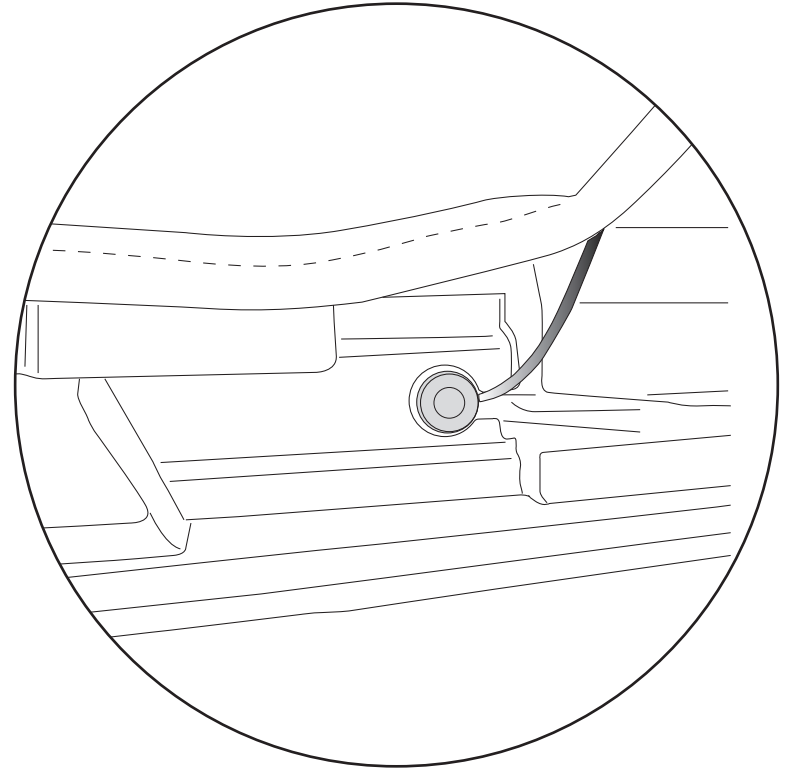
## Section 19 Attach Cable to Rear Door Rail (Cont.)



### Parts

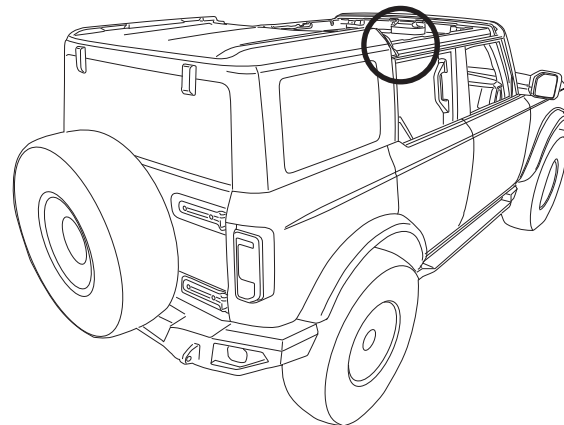


Push Pin  
Part #533.96  
Qty. 2



Press in the Push Pin into the slot to keep the cable secure.

Repeat this step on the left side of the assembly.

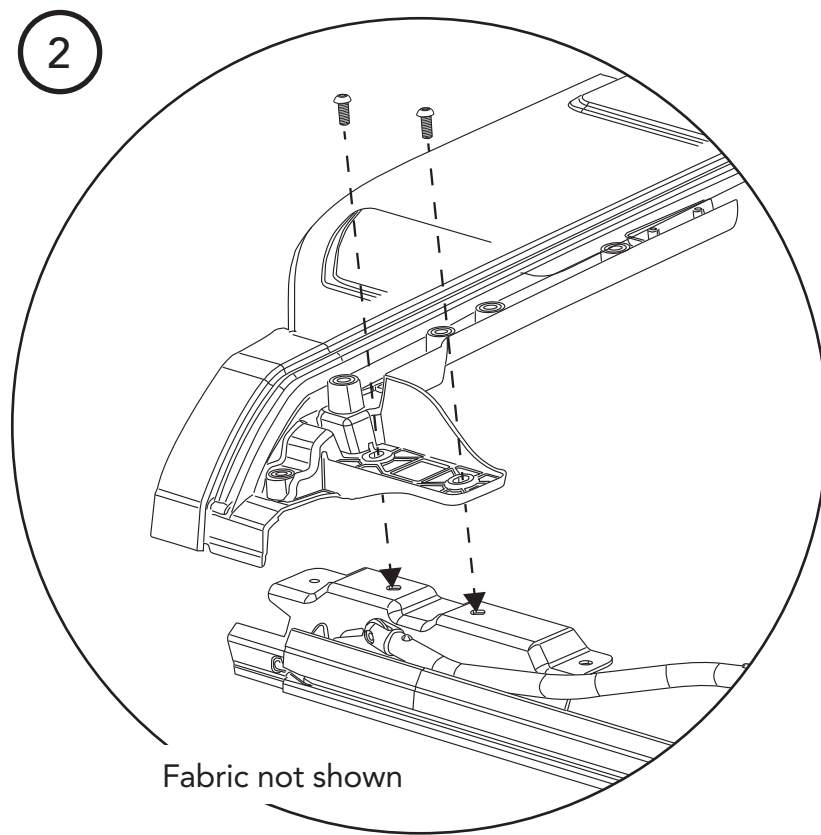
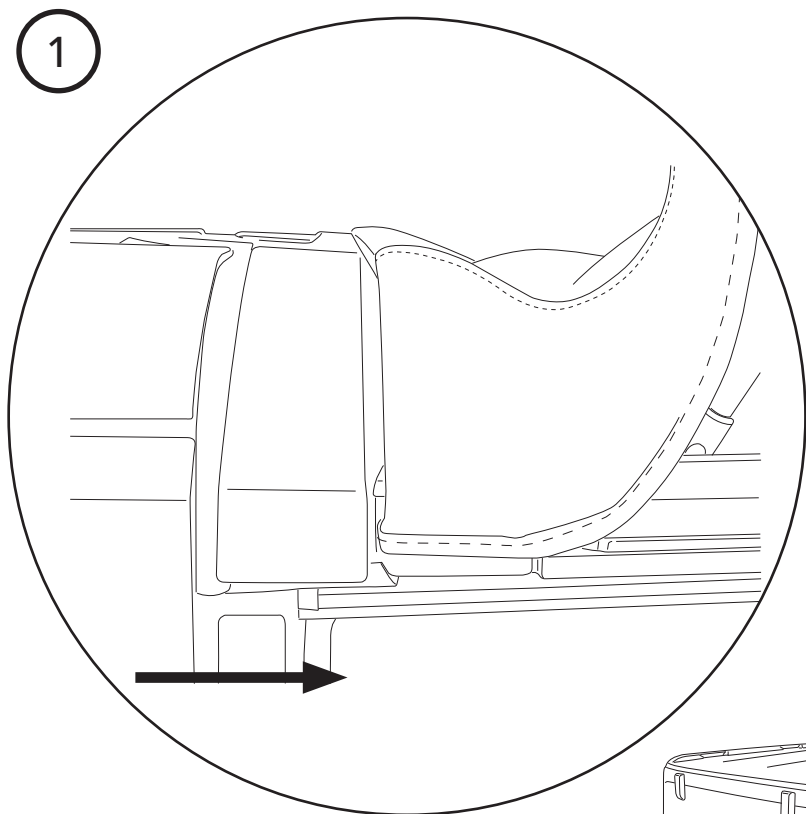


## Section 20 Move Rear Halo Forward and Attach to Vehicle.

### Tools

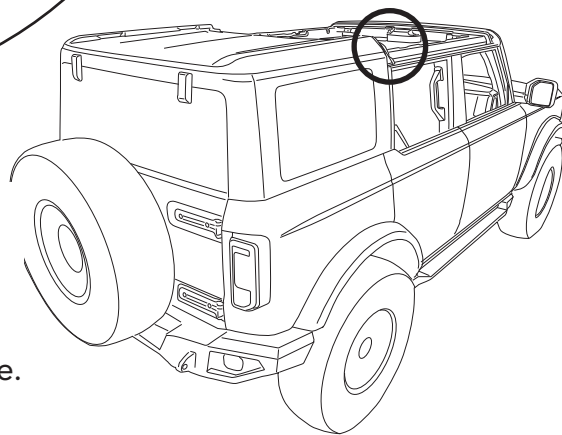


T40  
Torx Driver

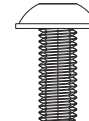


- 1 Move the Halo forward and down.
- 2 Attach the Halo to the Rear Door Rail using two (2) M8 x 20mm screws.

Repeat on the other side of the vehicle.



### Parts



Screw, M8 X 1.25 X 20mm  
Part #573.09  
Qty. 4  
T-40 Torx

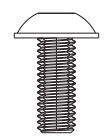
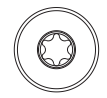
## Section 21 Attach Halo to Hardtop (Center).

### Tools

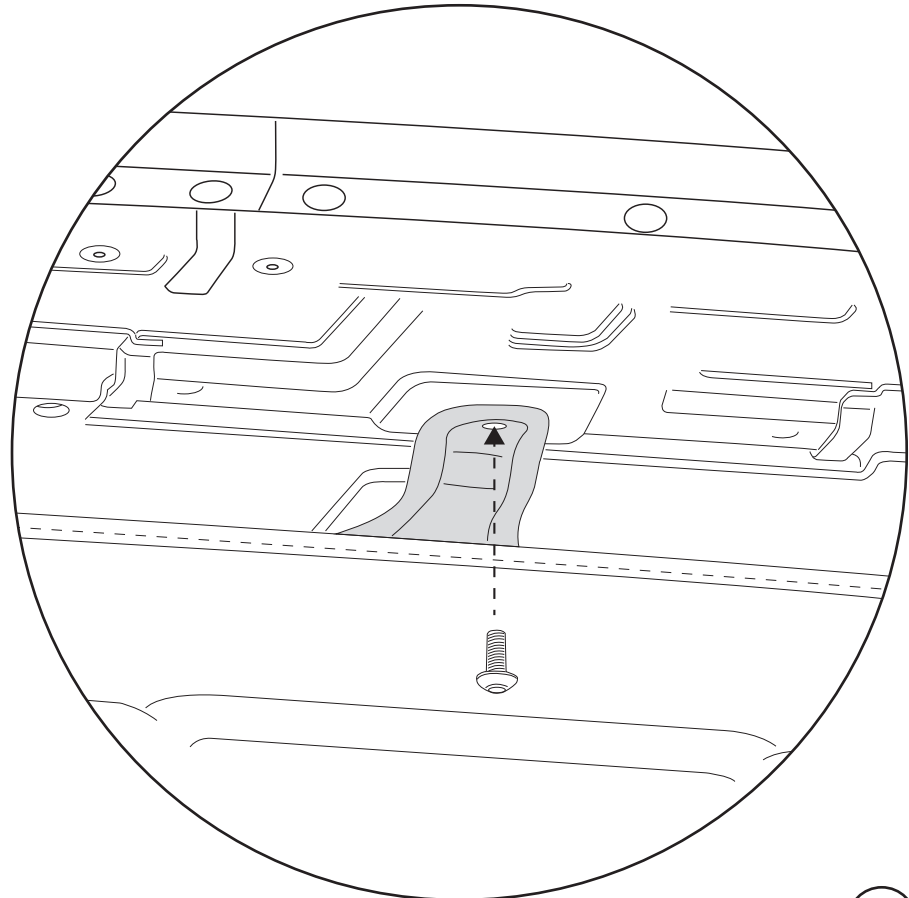


T40  
Torx Driver

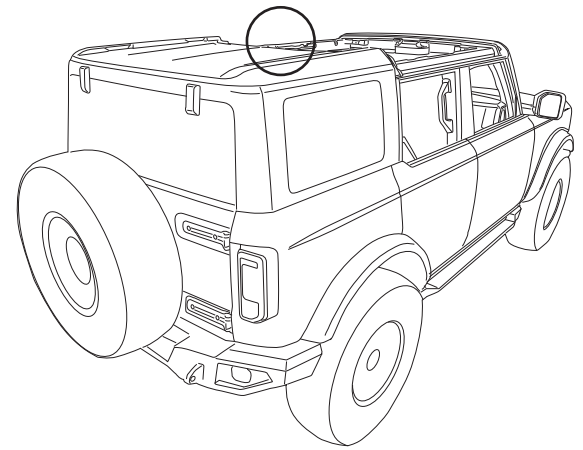
### Parts



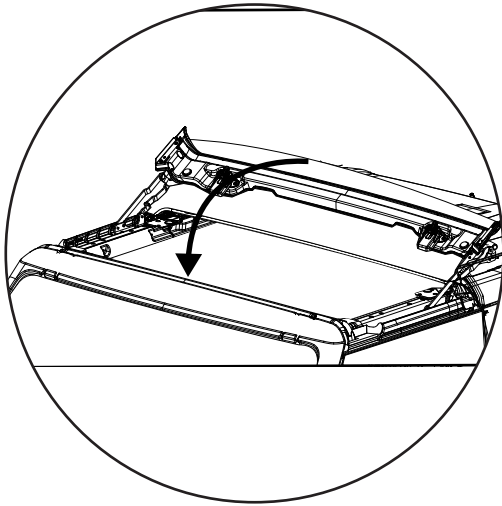
Screw, M8 X 1.25 X 20mm  
Part #573.09  
Qty. 1  
T-40 Torx



Attach the Halo to the Halo Attach Bracket (Installed on the hardtop in section 3) using one (1) of the M8 x 20mm Screws.



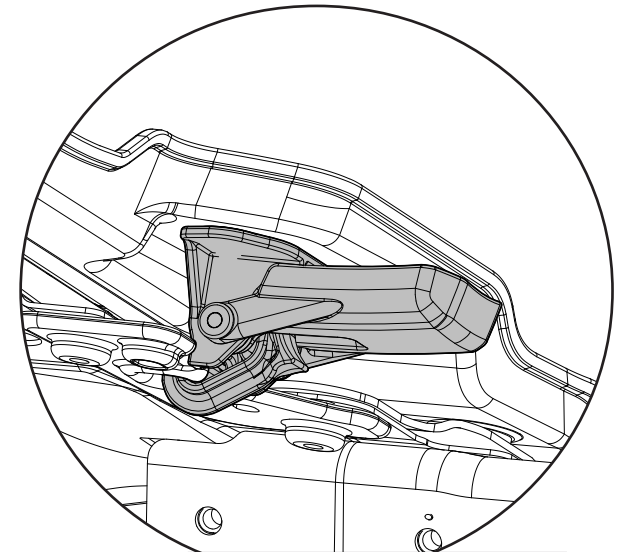
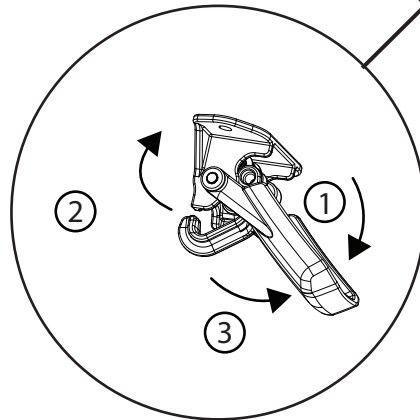
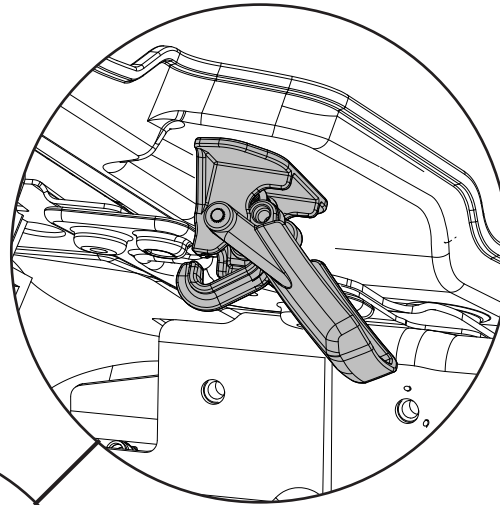
## Section 22 Close and Latch the Top



Fold the Sunrider forward.

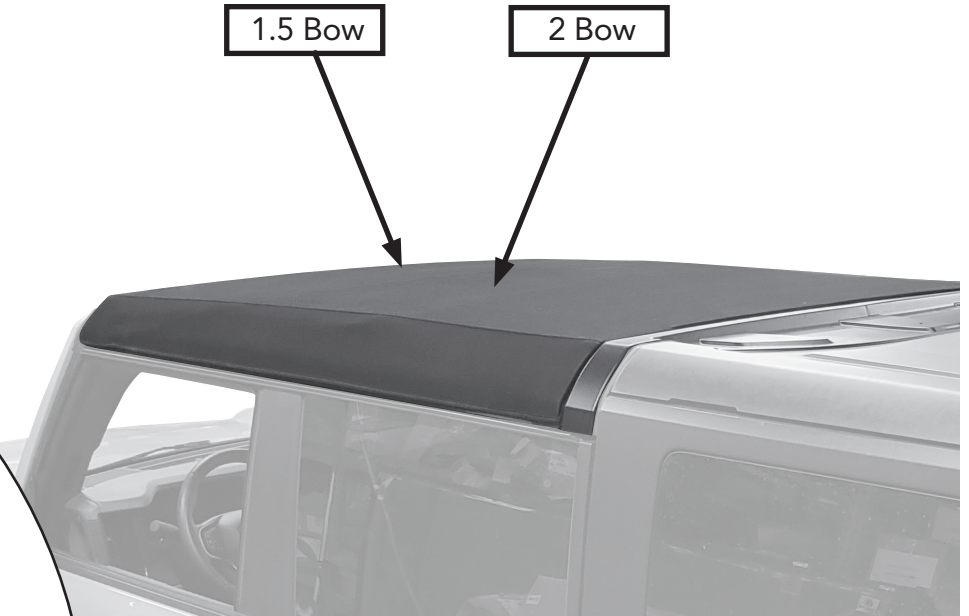
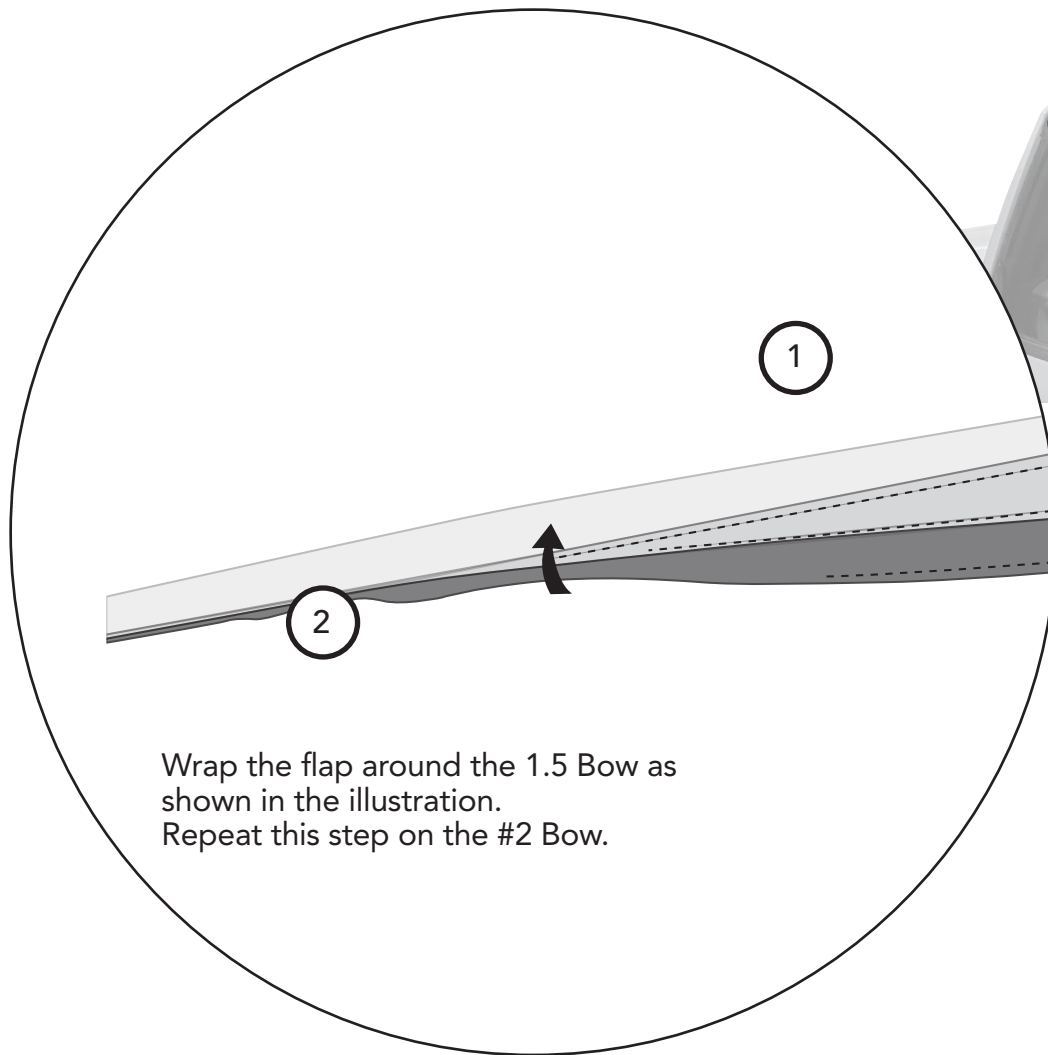
Secure both latches to the vehicle's windshield header.

- ① Pivot the latch handle down;
- ② Engage the hook;
- ③ Pivot the latch handle back up.



Latch in closed position

## Section 23 Attach Bow Flaps



### NOTE

Remember to reinstall the antenna.

## Congratulations

You have completed the installation of your Bronco® Skyrider top. We hope you enjoy many years of service with your new top.



## Care and Maintenance of your Bestop Product

Your Bestop product is made of the finest materials available. To keep it looking new and for the maximum possible wear, it will need periodic cleaning and maintenance.

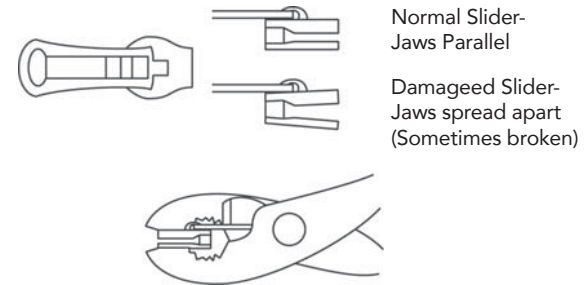
**Fabric:** The fabric should be washed often using soap, warm water and a soft bristle brush. Rinse with clear water to remove all traces of soap. Bestop recommends using Bestop Cleaner (part no. 11201-00) and Bestop Protectant (part no. 11202-00) for Vinyl fabric and Bestop Twill Protectant (part no. 11207-00) for Twill fabric. Bestop Cleaner and Bestop protectant are specially formulated to provide a total cleaning and protection system. Bestop Cleaner safely removes the toughest stains, will not harm vehicle finishes, is biodegradable and environmentally friendly. Bestop Protectant protects against UV-fading, cracking and hardening, and repels dust, grease, dirt and mildew.

**Windows:** Keep windows clean to avoid scratching. **DO NOT** use a brush on the windows! Wash with a water-soaked cloth or sponge and a mild dishwashing detergent. Bestop recommends Bestop Vinyl Window Cleaner (part no. 11203-00), which safely cleans and protects vinyl windows and helps prevent UV damage. **NEVER WIPE THE WINDOWS WHEN THEY ARE DRY.** Be careful when cleaning snow or frost from the vinyl windows since they are easily scratched and may crack at low temperatures. **DO NOT** roll the sides or rear window in cold weather. The windows become stiff and will crack. Cracks caused by misuse in cold temperatures are not covered under warranty.

**Water:** Seeping through at the seams may be stopped by applying 3-M Scotchgard® on the inside of the seams.

**Snaps:** Keep snaps cleaned and lubricated with silicone to help prevent snaps from sticking to the studs. If a snap does become stuck to a stud, use a screwdriver and **GENTLY** pry apart to prevent permanent damage to the snap or the top fabric.

**Zippers:** Keeping zippers cleaned and lubricated with Bestop's Zipper Cleaner (part no. 11206-00) will help prevent damage and keep the zippers in smooth working condition. If a zipper opens behind the slider, the slider may have been spread apart. This problem can usually be repaired by using an ordinary pair of pliers to bring the sides back into parallel. Return slider to the end of the zipper in the normal Open position. Squeeze lightly at first and test the zipper. If the zipper continues to remain open squeeze more firmly with the pliers and try the zipper again. Repeat this procedure until the zipper operates correctly.



**For Bestop Warranty Information, Please go to;**  
<https://www.bestop.com/help/warranty-information/>





# Instrucciones para la instalación de Skyrider®

Aplicación del vehículo:  
Ford Bronco 4 puertas 2021-Actual  
Número de parte 52462

## Consejos para la instalación

Antes de empezar a instalar su nuevo Sunrider para techo rígido, lea todas las instrucciones detenidamente y vea el video de Instalación de Bestop. (Ver la sección de Soporte en esta página).

**ADVERTENCIA** No confíe en modo alguno en los componentes de este producto para protegerse de lesiones o muerte en caso de accidente. Nunca opere el vehículo excediendo las especificaciones del fabricante.

Al instalar este producto, lea y siga con precisión todas las instrucciones proporcionadas. De lo contrario, se puede producir un ajuste defectuoso y se podría colocar a los ocupantes del vehículo en una situación potencialmente peligrosa.

Para facilitar la instalación, la cubierta se debe colocar a una temperatura por encima de 72 °F. Por debajo de esta temperatura, la tela puede contraerse dificultando el ajuste con el vehículo.



**PRECAUCIÓN** Se deben usar anteojos de seguridad en todo momento al instalar este producto.

**USE CINTURONES DE SEGURIDAD EN TODO MOMENTO**

## NOTA

Sugerimos utilizar dos personas para ayudar a levantar la parte superior en el vehículo.

## Herramientas



Anteojos de seguridad



Destornilladores torx T30, T40 y T50



## NOTA

El uso de un taladro eléctrico puede causar un par de apriete excesivo y dañar la parte superior y/o el vehículo.

## Tiempo de instalación



2.5 Horas

## Skill Level



3 - Difícil moderado

## Soporte

¡Estamos aquí para ayudar! Vaya a: <https://www.bestop.com> y haga clic en ¿Necesita ayuda?



<https://www.bestop.com/video-library>

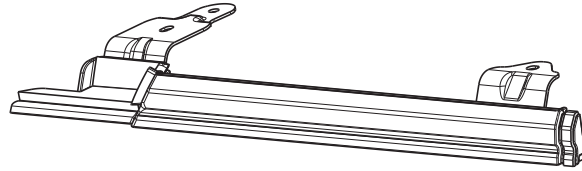


# Instrucciones para la instalación de Skyrider®

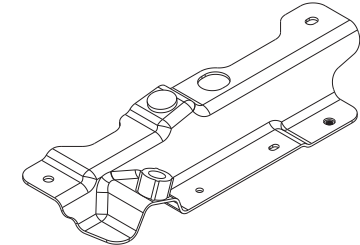
Aplicación del vehículo:  
Ford Bronco 4 puertas 2021-Actual  
Número de parte 52462



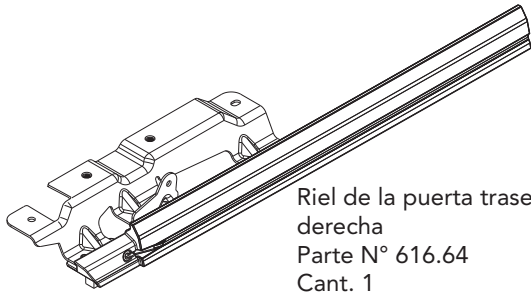
Riel de la puerta: Superior izquierdo  
Parte N° 620.00  
Cant. 1



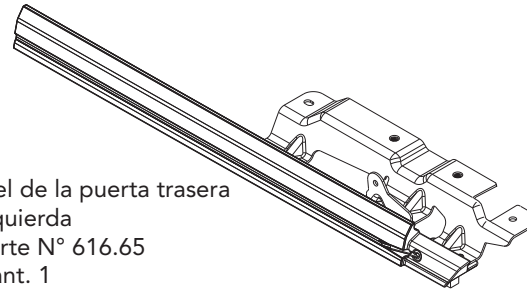
Riel de la puerta: Superior derecho  
Parte N° 620.01  
Cant. 1



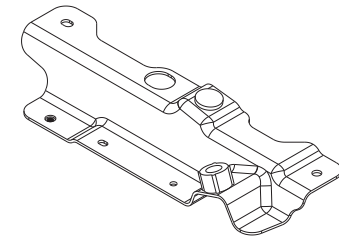
Soporte Pivote Principal derecha  
Parte N°617.46  
Cant. 1



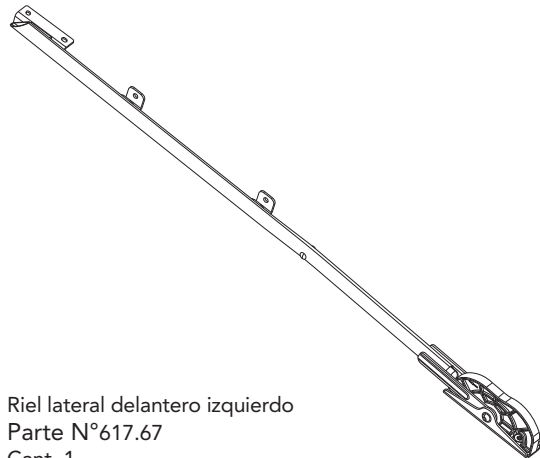
Riel de la puerta trasera  
derecha  
Parte N° 616.64  
Cant. 1



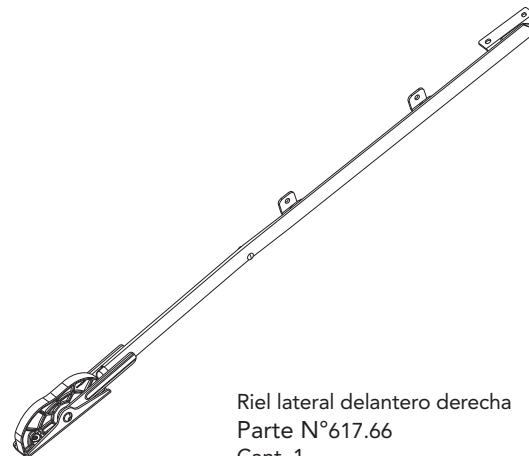
Riel de la puerta trasera  
izquierda  
Parte N° 616.65  
Cant. 1



Soporte Pivote Principal izquierdo  
Parte N°617.47  
Cant. 1



Riel lateral delantero izquierdo  
Parte N°617.67  
Cant. 1

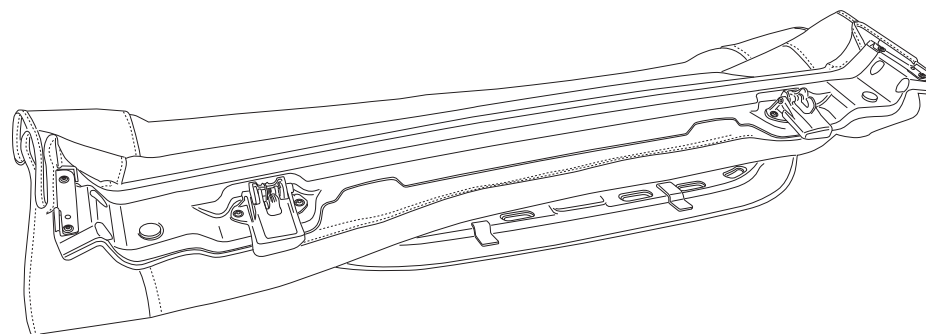
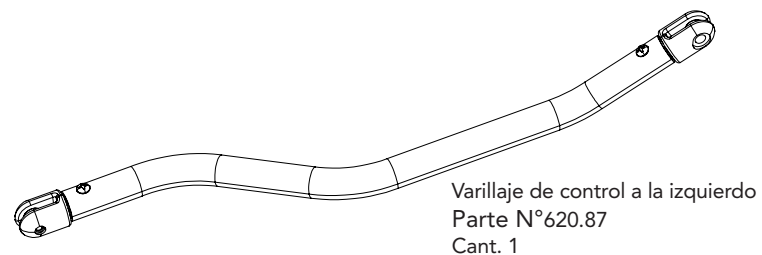
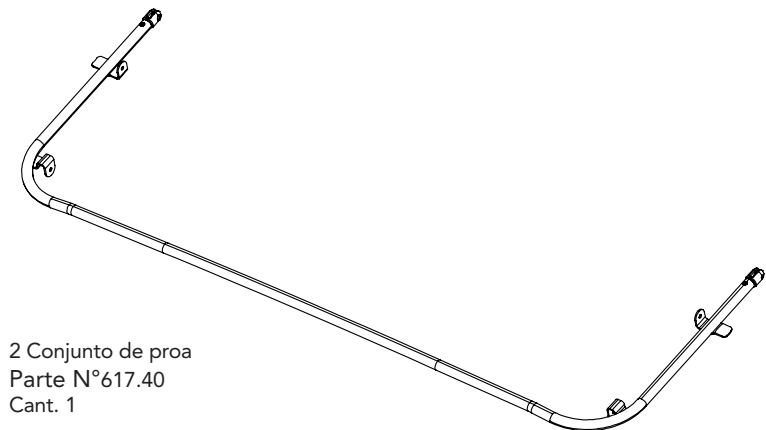
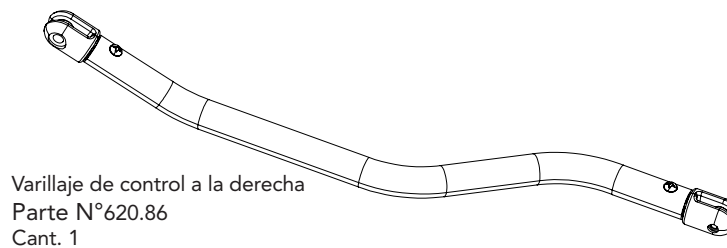
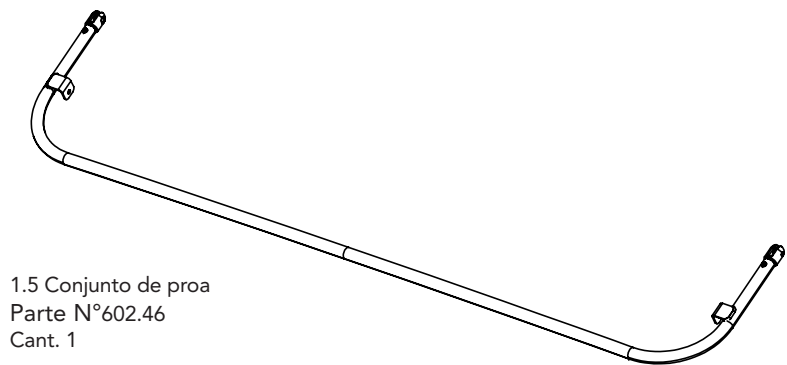


Riel lateral delantero derecha  
Parte N°617.66  
Cant. 1



# Instrucciones para la instalación de Skyrider®

Aplicación del vehículo:  
Ford Bronco 4 puertas 2021-Actual  
Número de parte 52462

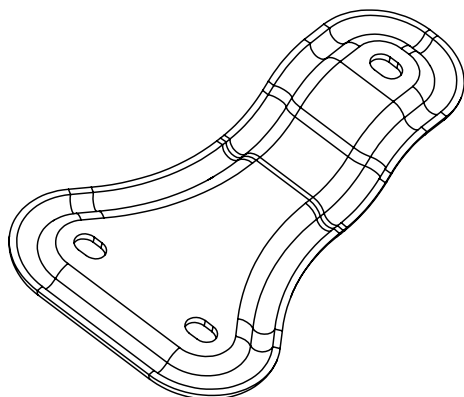




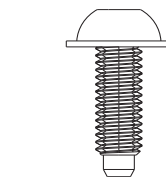
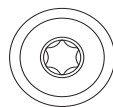
# Instrucciones para la instalación de Sky rider®

Aplicación del vehículo:  
Ford Bronco 4 puertas 2021-Actual  
Número de parte 52462

## 636.82 Kit de piezas pequeñas



Soporte Halo Attach  
Parte N°619.42  
Cant. 1



Tornillo, M6 x 15mm  
Parte N°533.61  
Cant. 10  
T-30 Torx



Tornillo, M6 x 25mm  
Parte N°535.23  
Cant. 2  
T-30 Torx



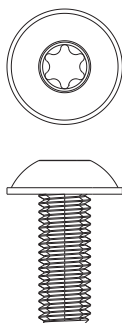
Tornillo, Rótula de pivote  
Parte N°308.65  
Cant. 12  
T-30 Torx



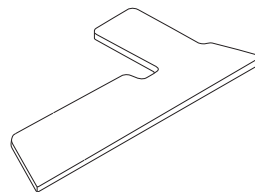
Varillaje de control  
Parte N°602.75  
Cant. 2



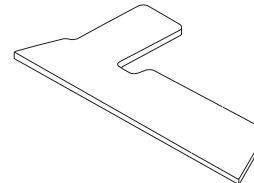
Pasador de empuje  
Parte N°533.96  
Cant. 2



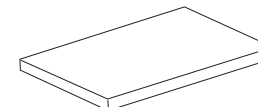
Tornillo, M8 x 20mm  
Parte N°573.09  
Cant. 7  
T-40 Torx



#1 Junta de espuma de proa derecha  
Parte N°615.66  
Cant. 1



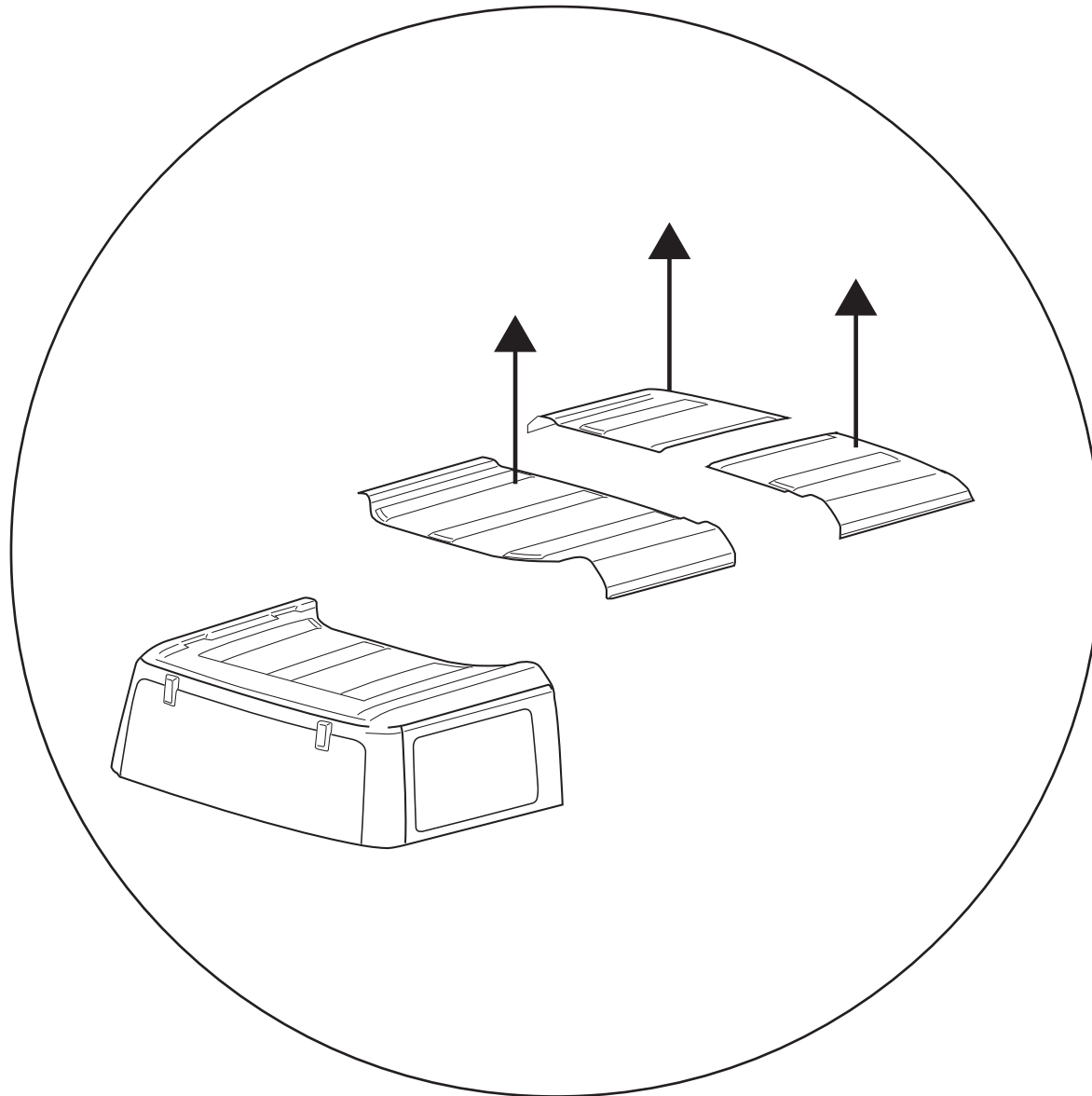
#1 Junta de espuma de proa izquierda  
Parte N°615.67  
Cant. 1



Espuma trasera Halo  
Parte N°646.69  
Cant. 2

**Par de apriete**  
**Sujetadores de 6mm**  
5.16 ft/lbs (61 in/lbs)  
**Sujetadores de 8mm**  
14.75 ft/lbs (106+ in/lbs)

Quitar los paneles frontales del techo rígido. (Ver los manuales del propietario para los detalles)

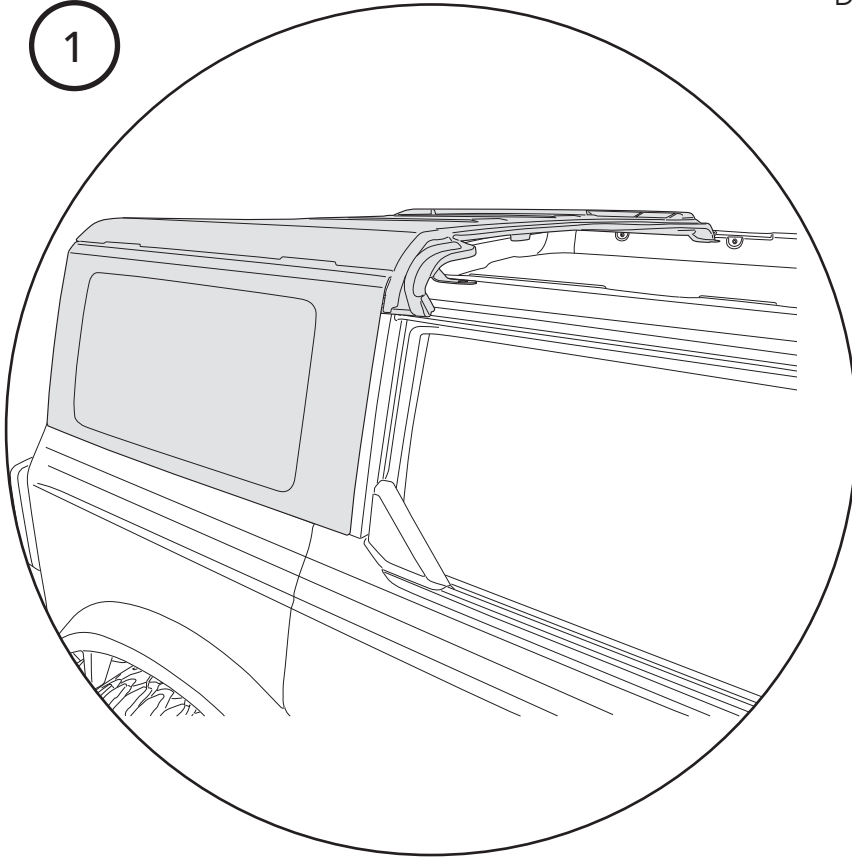


Herramientas



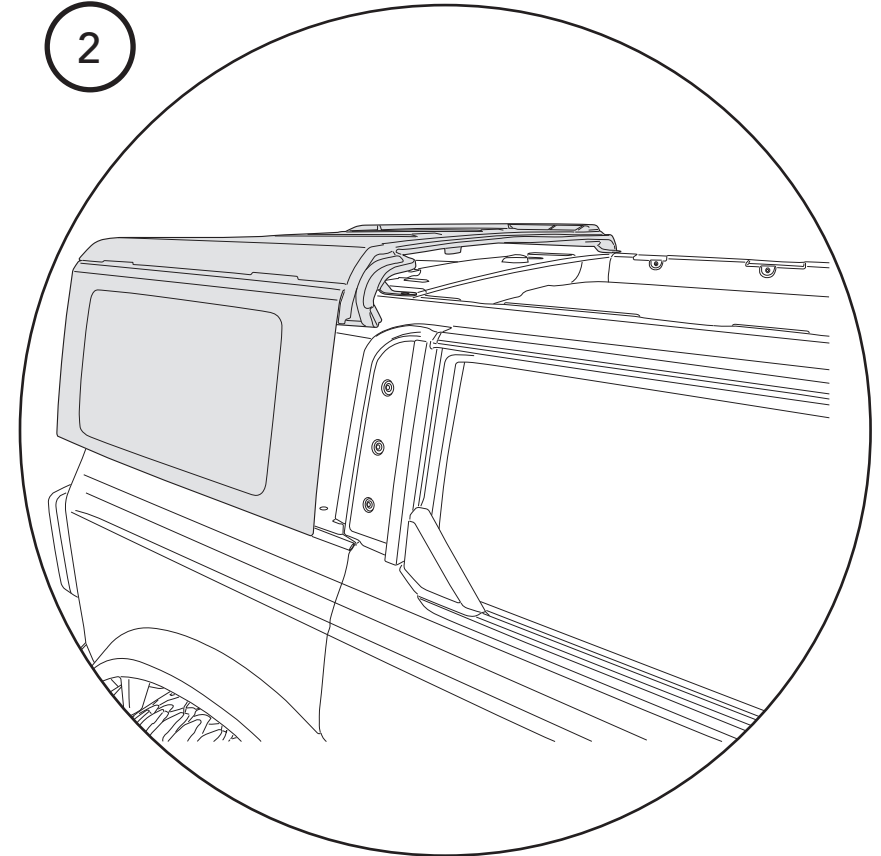
Destornilladores  
torx  
T40 y T50

1



Retire las fijaciones de montaje del techo duro de fábrica. (Consulte el manual del propietario para más detalles)

2

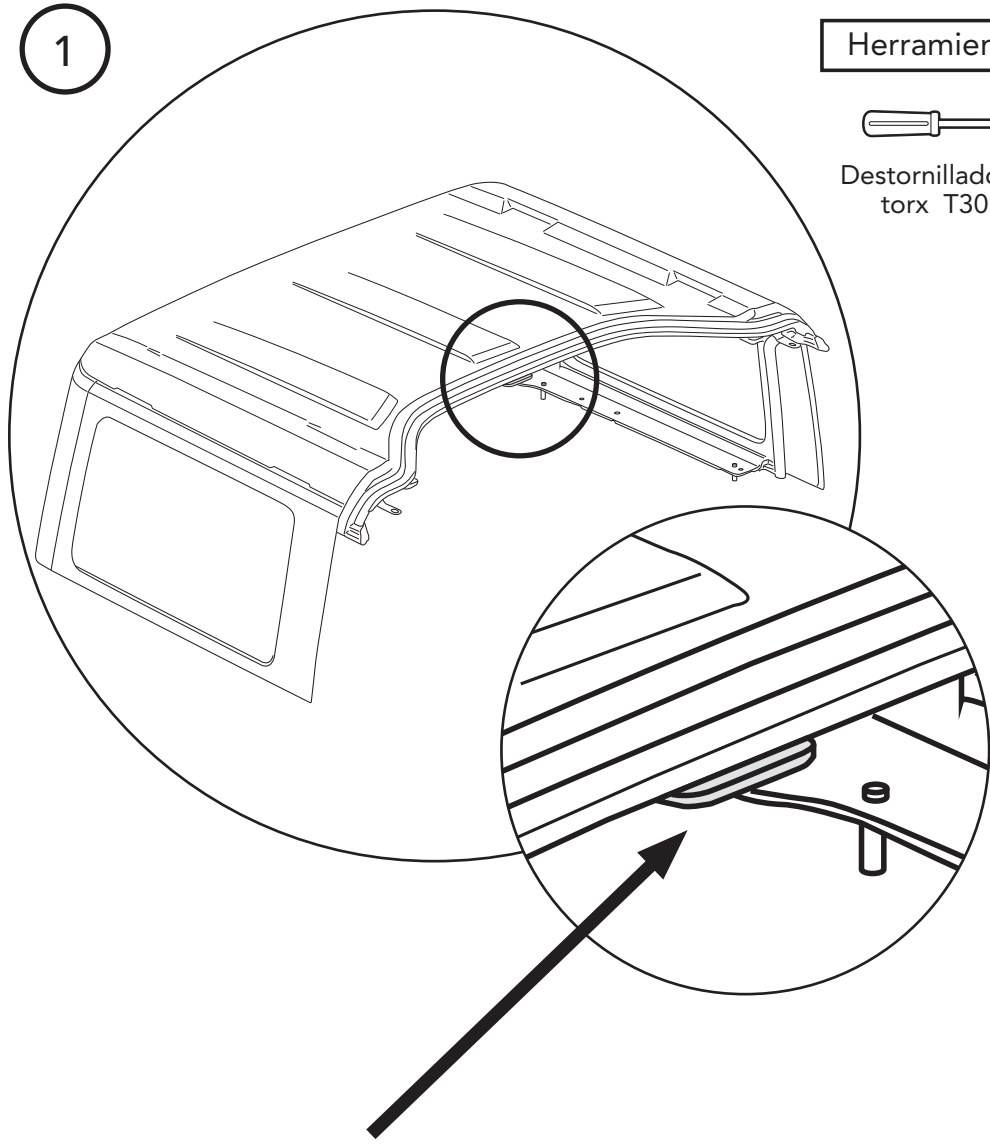


Mueva la cubierta trasera del techo rígido de fábrica hacia atrás diez (10) pulgadas.

Consejo

Será más fácil mover el techo duro con dos personas.

1



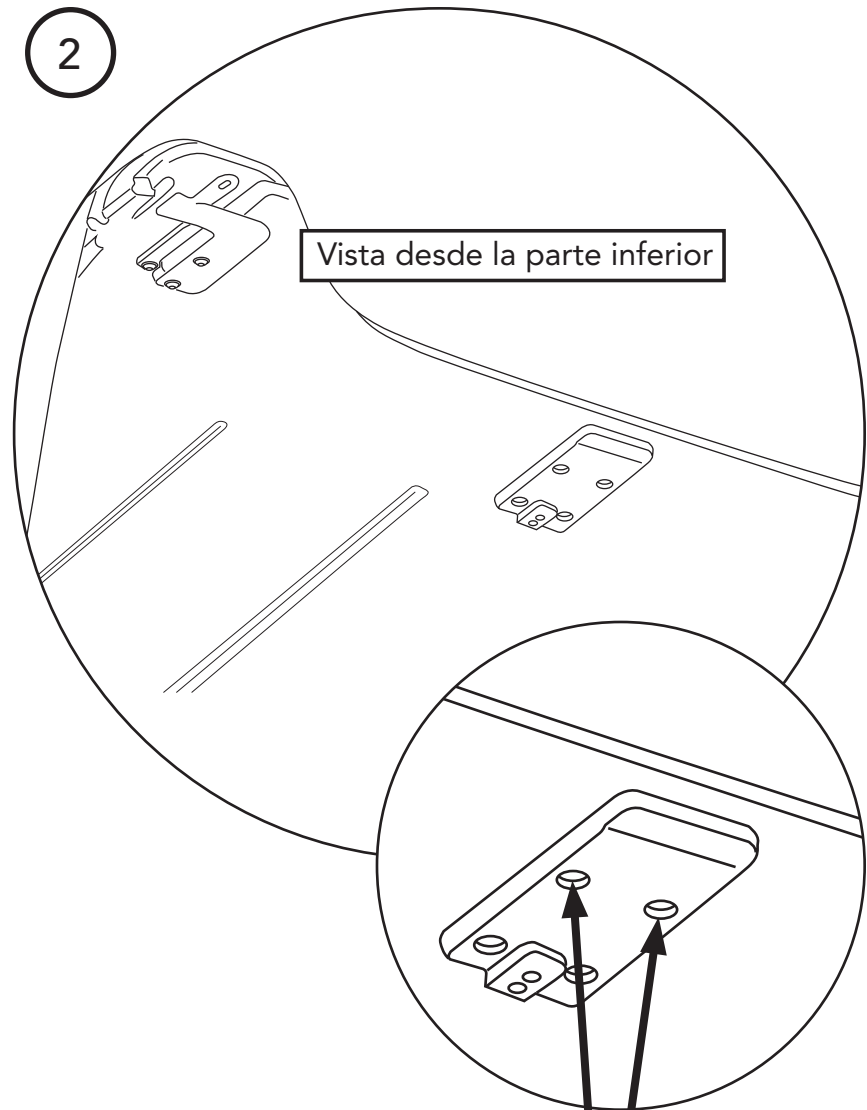
Ubique el soporte receptor del pestillo.

Herramientas



Destornilladores torx T30

2



Vista desde la parte inferior

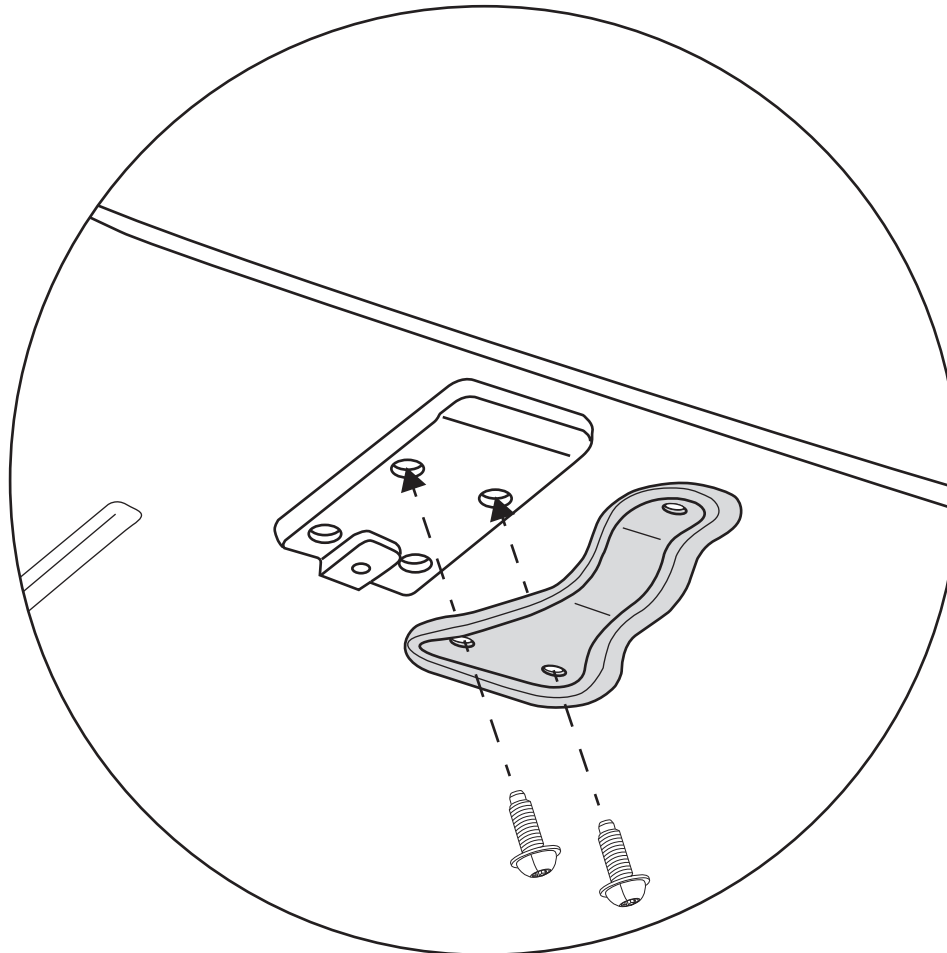
Quitar dos (2) tornillos

### Sección 3 Instale el soporte Halo Attach (continuación)

#### Herramientas



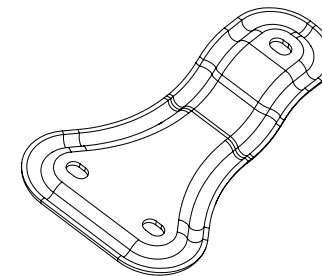
Destornilladores  
torx T30



Coloque el soporte de fijación Halo en el soporte receptor del pestillo e instale dos (2) tornillos M6 x 25 mm.

**Nota:** Asegúrese de que la lengüeta del soporte de fijación Halo esté por encima del soporte del receptor del pestillo cuando esté instalado.

#### Partes



Soporte Halo Attach  
Parte N°619.42  
Cant. 1



Tornillo, M6 x 25mm  
Parte N°535.23  
Cant. 2  
T-30 Torx

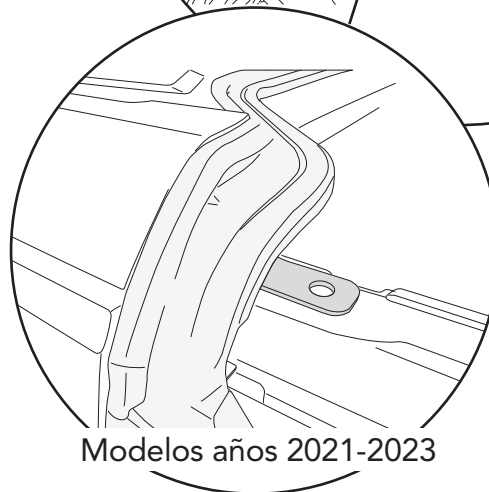
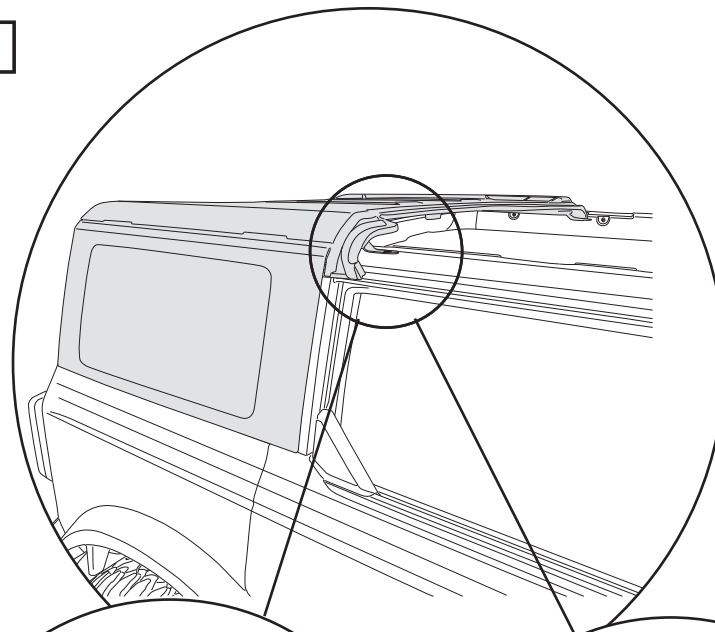
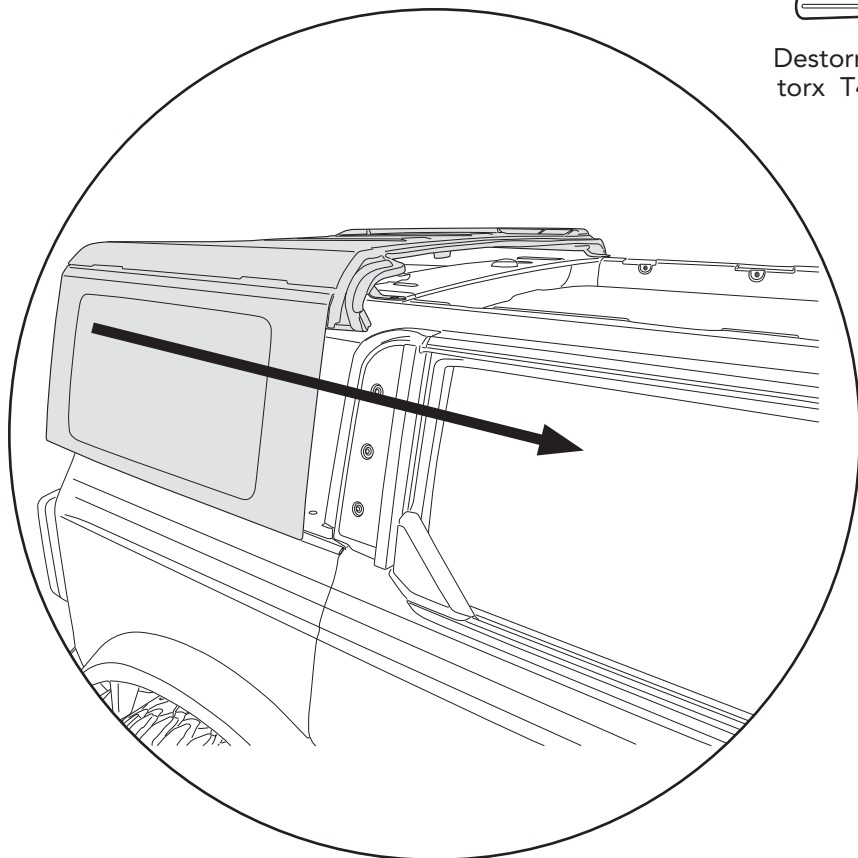
## Sección 4

### Vuelva a montar la carcasa trasera de fábrica

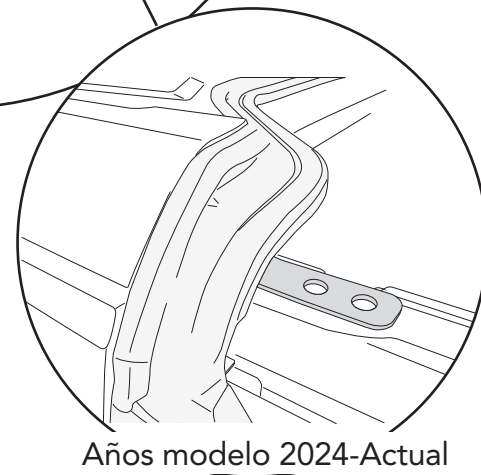
#### Herramientas



Destornilladores  
torx T40 y T50



Modelos años 2021-2023



Años modelo 2024-Actual

Mueva la carcasa trasera del techo rígido de fábrica hacia delante a la posición de montaje de fábrica y, a continuación, tornillos que fijan el techo rígido a la carrocería del vehículo. (Consulte el manual del propietario para más detalles)

**NOTA:** No vuelva a instalar los tornillos M8 que se retiraron de esta ubicación en este momento. Estos se volverán a instalar más adelante durante la instalación.

**Consejo**

Será más fácil mover el  
techo duro con dos personas.

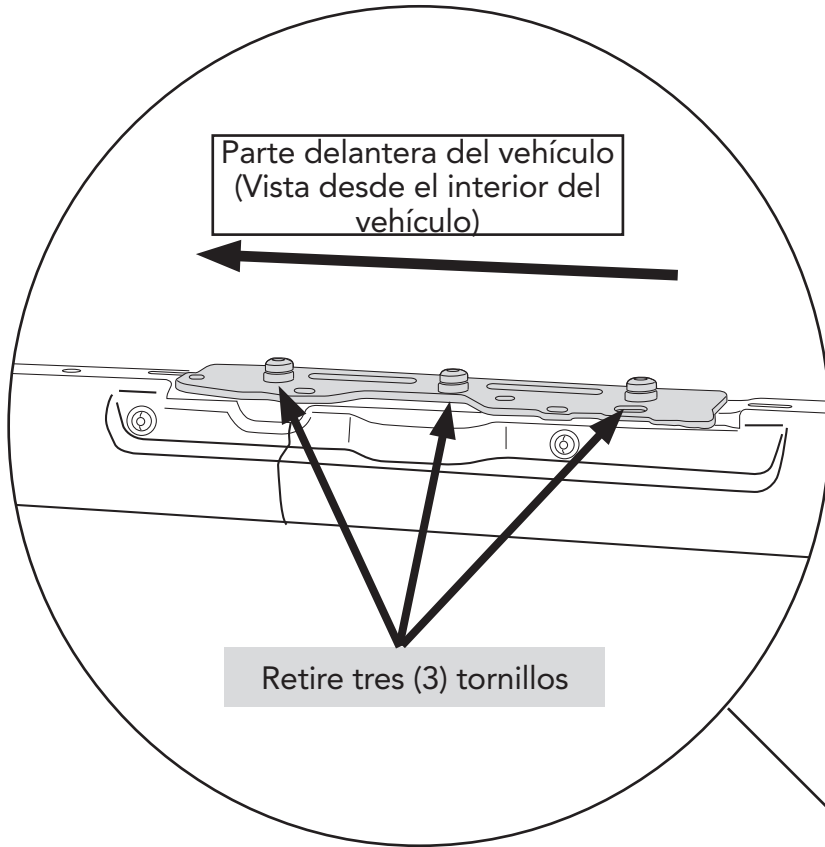
## Sección 5

### Retire los soportes de retención del panel del techo rígido

#### Herramientas

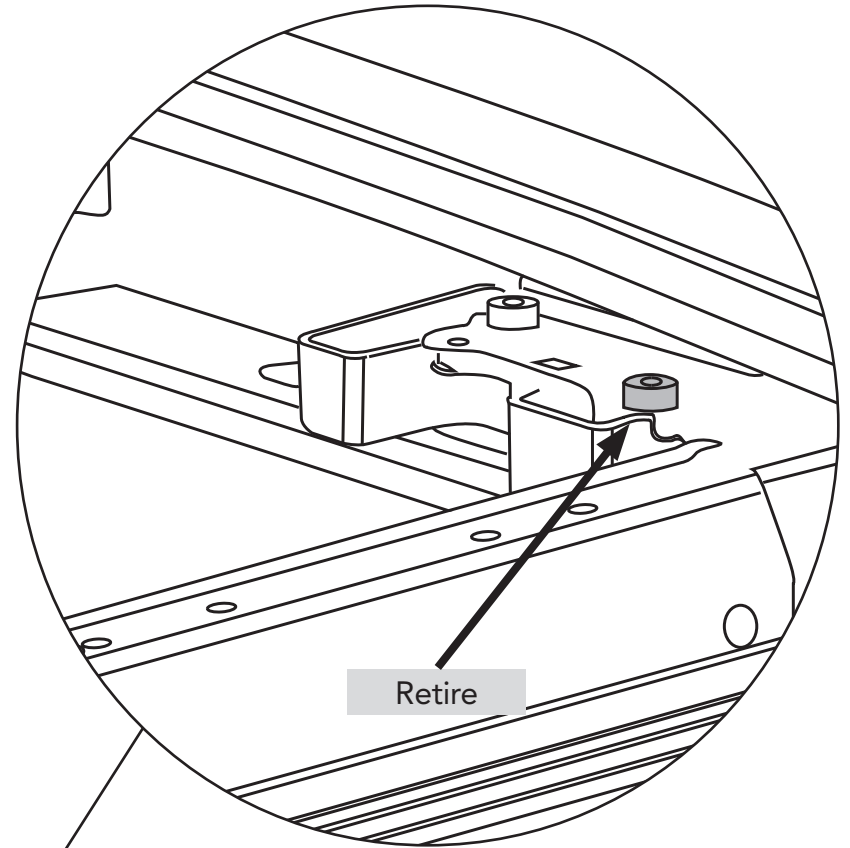


Destornilladores  
torx T50



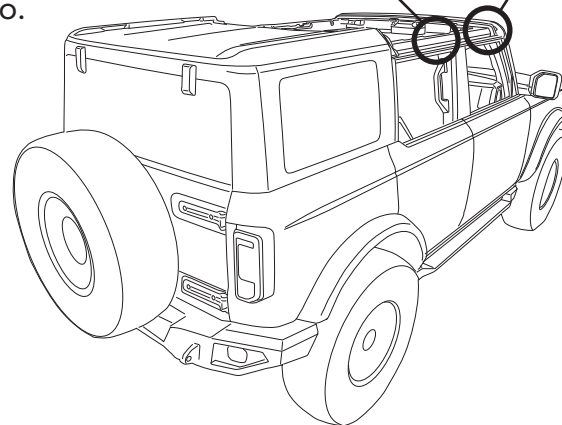
Retire del vehículo tres (3) tornillos y el soporte de retención del panel del techo rígido.

Repita en el lado izquierdo del vehículo.



Retire el tornillo del vehículo.

Repita en el lado izquierdo del vehículo.



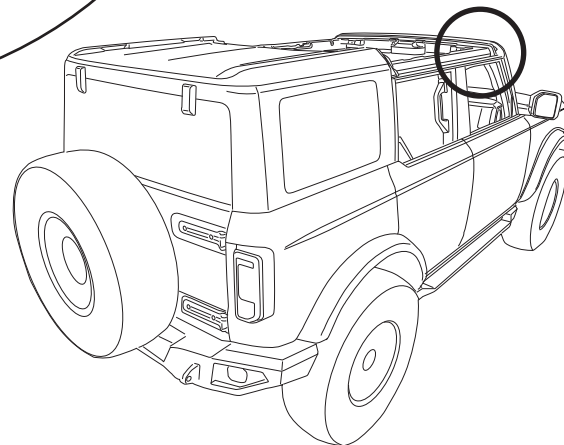
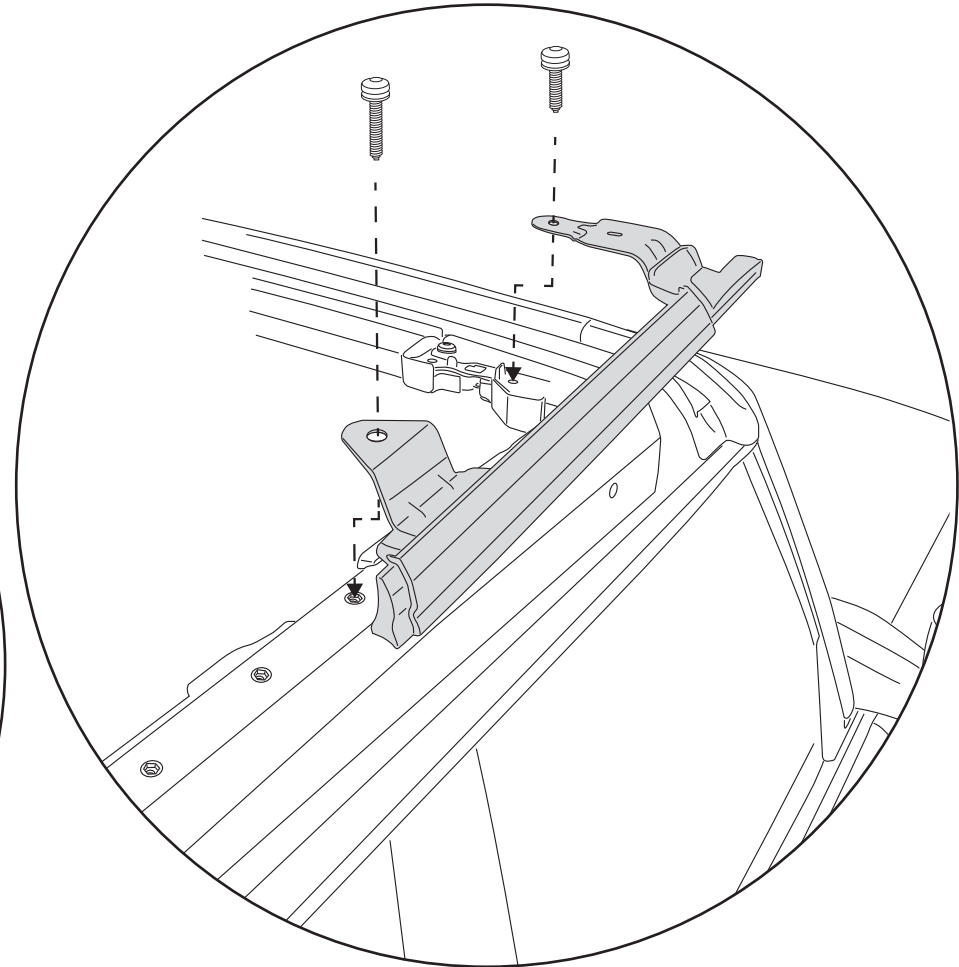
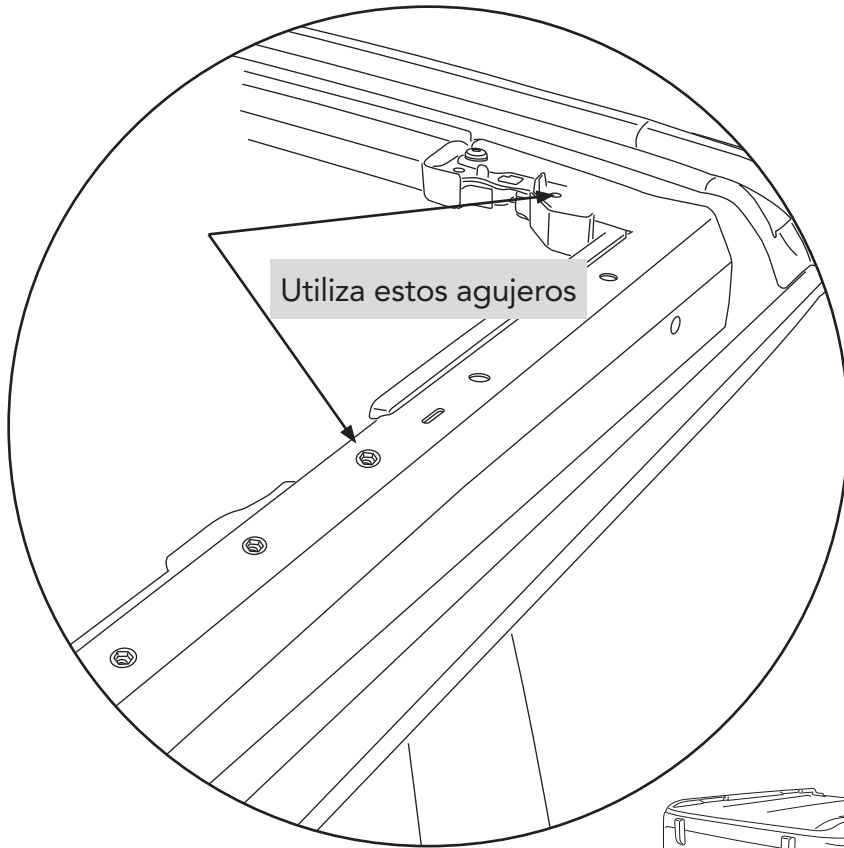
**NOTA:** Sujete estos tornillos. Se utilizarán para montar el Sunrider al vehículo.

## Sección 6 Instalar rieles de puerta delantera

### Herramientas



Destornilladores  
torx T50

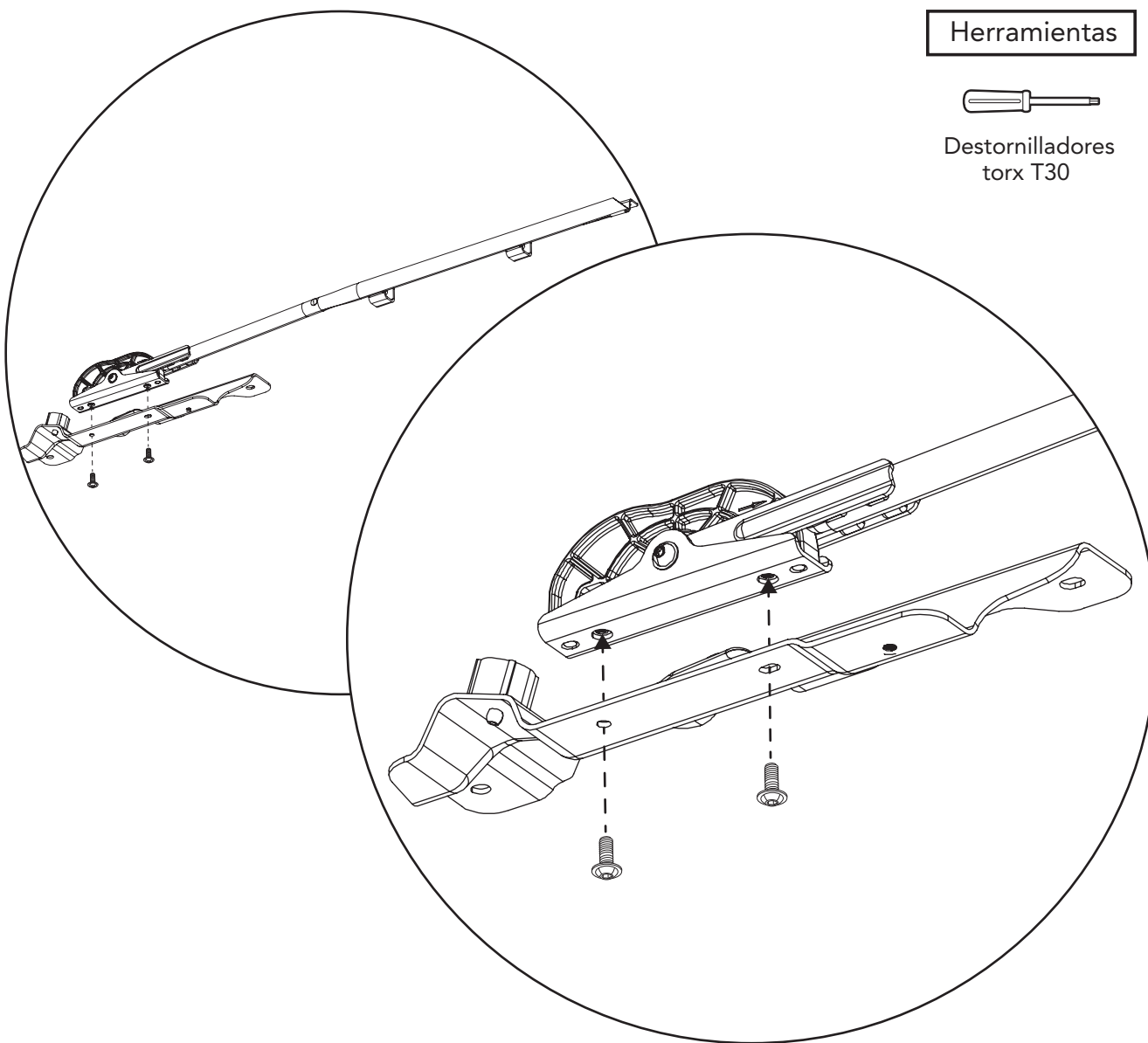


Coloque el listón de la puerta delantera sobre los orificios y vuelva a colocar los tornillos que acaba de retirar.

Repita en el lado izquierdo del vehículo.

## Sección 7

## Ensamblar los raíles laterales



### Herramientas

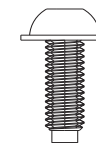


Destornilladores  
torx T30

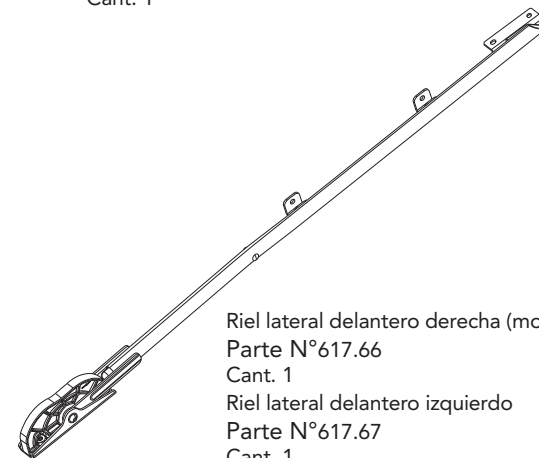
### Partes



Tornillo, M6 x 15mm  
Parte N°533.61  
Cant. 4  
T-30 Torx



Soporte Pivote Principal derecha (mostrado)  
Parte N°617.46  
Cant. 1  
Soporte Pivote Principal izquierdo  
Parte N°617.47  
Cant. 1



Riel lateral delantero derecha (mostrado)  
Parte N°617.66  
Cant. 1  
Riel lateral delantero izquierdo  
Parte N°617.67  
Cant. 1

Fije el soporte de pivote principal al riel lateral delantero (derecho) con dos (2) tornillos M6 x 15 mm.

Repita el procedimiento en el lado izquierdo del vehículo.

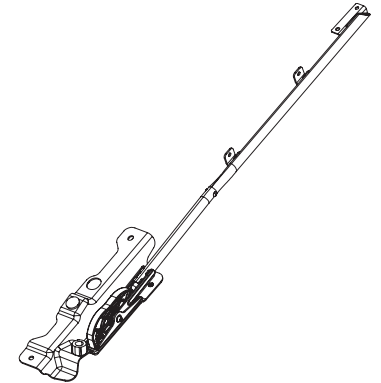
## Sección 8 Instalar los conjuntos de rieles laterales

### Herramientas



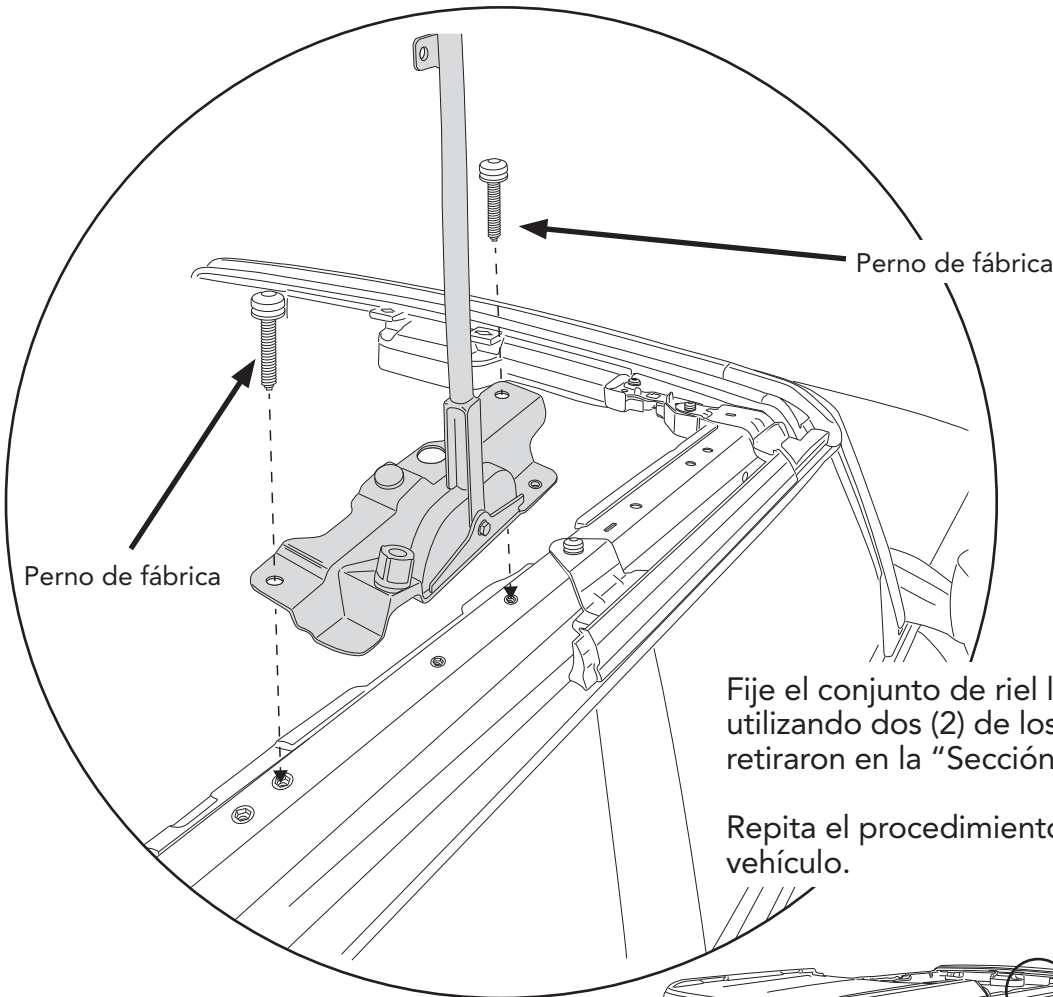
Destornilladores  
torx T50

### Partes



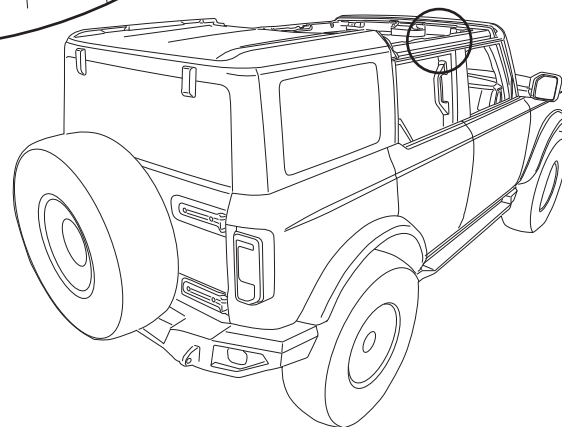
Rieles laterales izquierdo y  
derecho

Dos (2) de los tornillos (más largos)  
retirados en la "Sección 5".

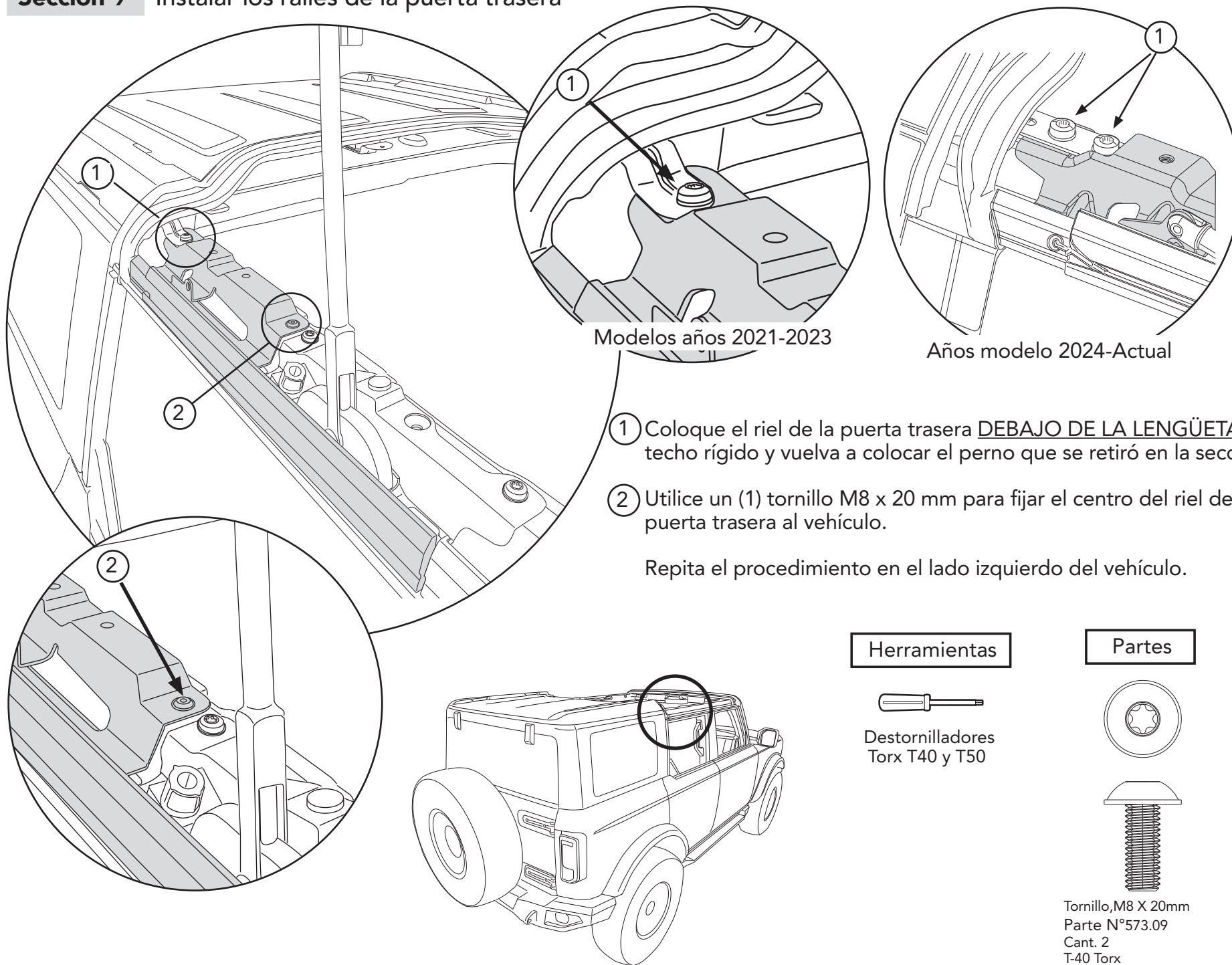


Fije el conjunto de riel lateral al vehículo (derecha)  
utilizando dos (2) de los pernos más largos que se  
retiraron en la "Sección 5".

Repita el procedimiento en el lado izquierdo del  
vehículo.



## Sección 9 Instalar los raíles de la puerta trasera



Modelos años 2021-2023

Años modelo 2024-Actual

- 1 Coloque el riel de la puerta trasera DEBAJO DE LA LENGÜETA del techo rígido y vuelva a colocar el perno que se retiró en la sección 2.
- 2 Utilice un (1) tornillo M8 x 20 mm para fijar el centro del riel de la puerta trasera al vehículo.

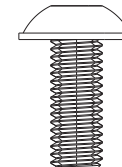
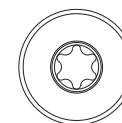
Repita el procedimiento en el lado izquierdo del vehículo.

### Herramientas



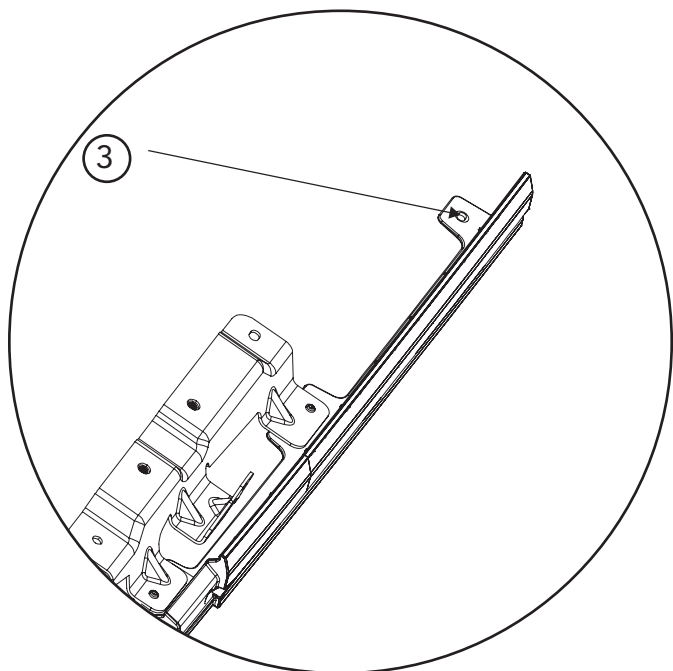
Destornilladores  
Torx T40 y T50

### Partes



Tornillo, M8 X 20mm  
Parte N°573.09  
Cant. 2  
T-40 Torx

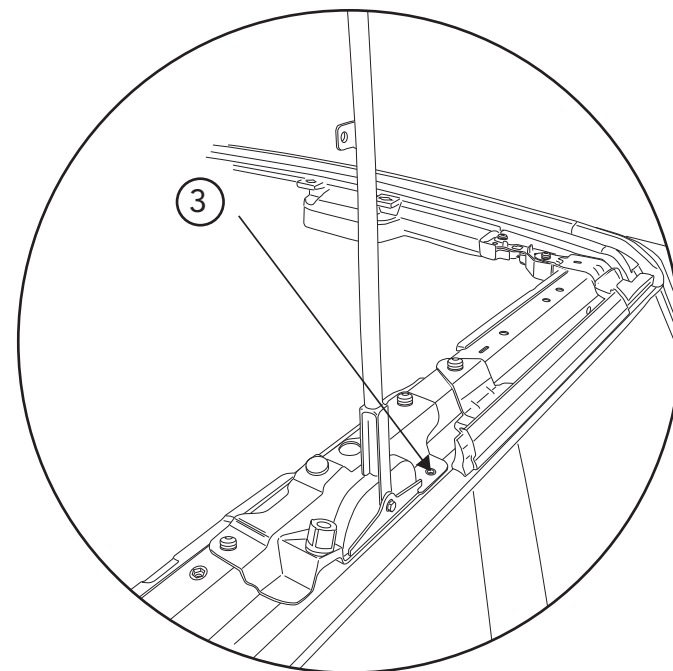
## Sección 9 Instalar los raíles de la puerta trasera (Cont.)



### Herramientas

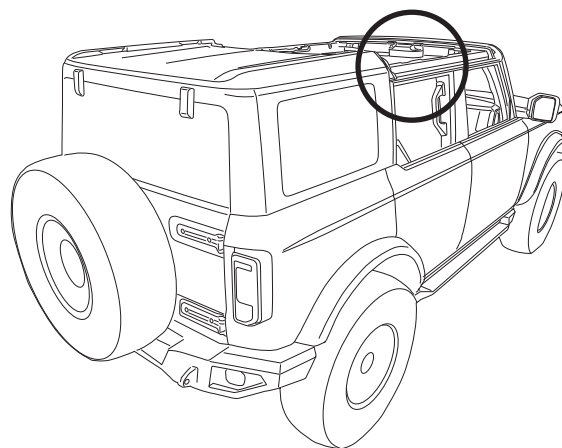


Destornilladores  
Torx T30

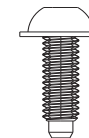


- ③ Utilice un (1) tornillo M6 x 1,0 x 15 mm para fijar la parte delantera del riel de la puerta trasera al soporte de pivote principal.

Repita en el lado izquierdo del vehículo.



### Partes



Tornillo, M6 X 15mm  
Parte N°533.61  
Cant. 2  
T-30 Torx

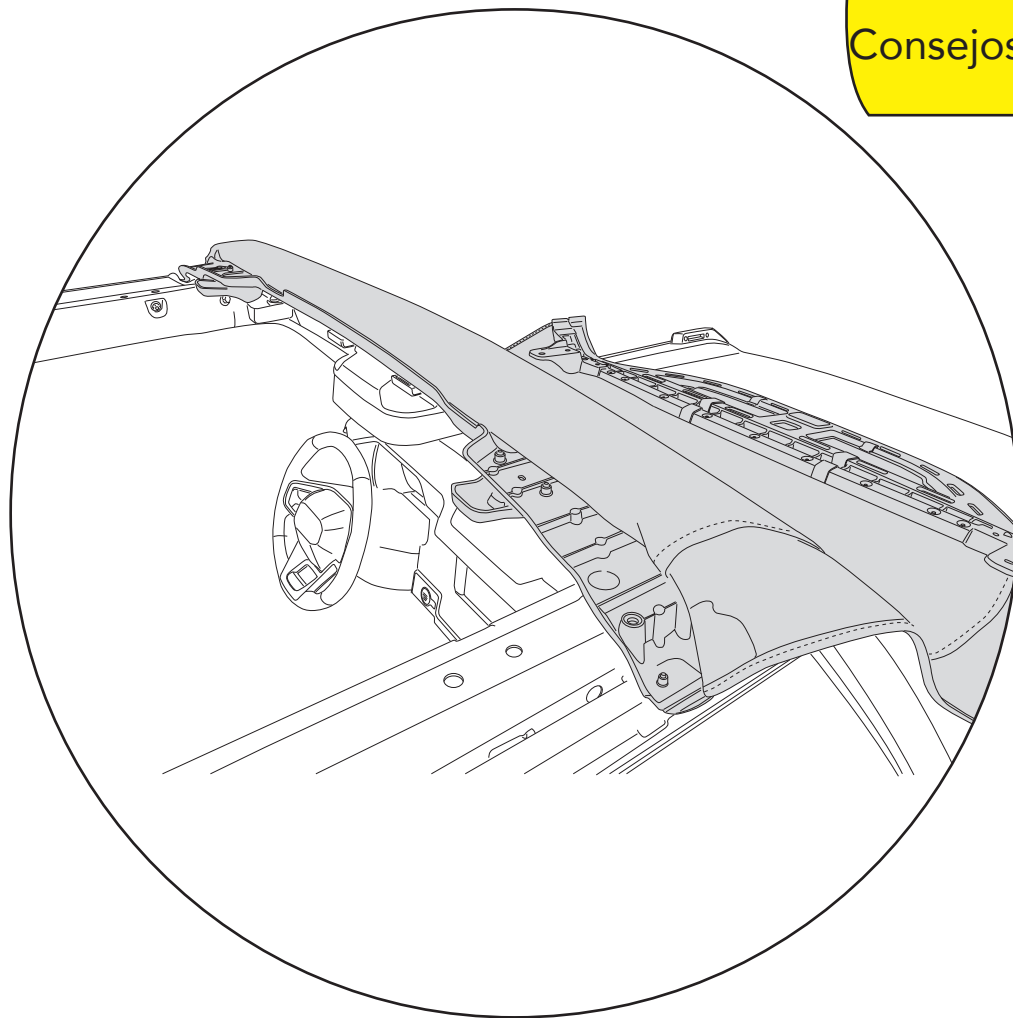
## Sección 10 Coloque el conjunto superior en el vehículo

### Consejos

Si coloca una manta suave sobre el capó del vehículo y retira la antena de radio, protegerá el vehículo de arañazos y facilitará la colocación del conjunto Top en el marco del parabrisas.

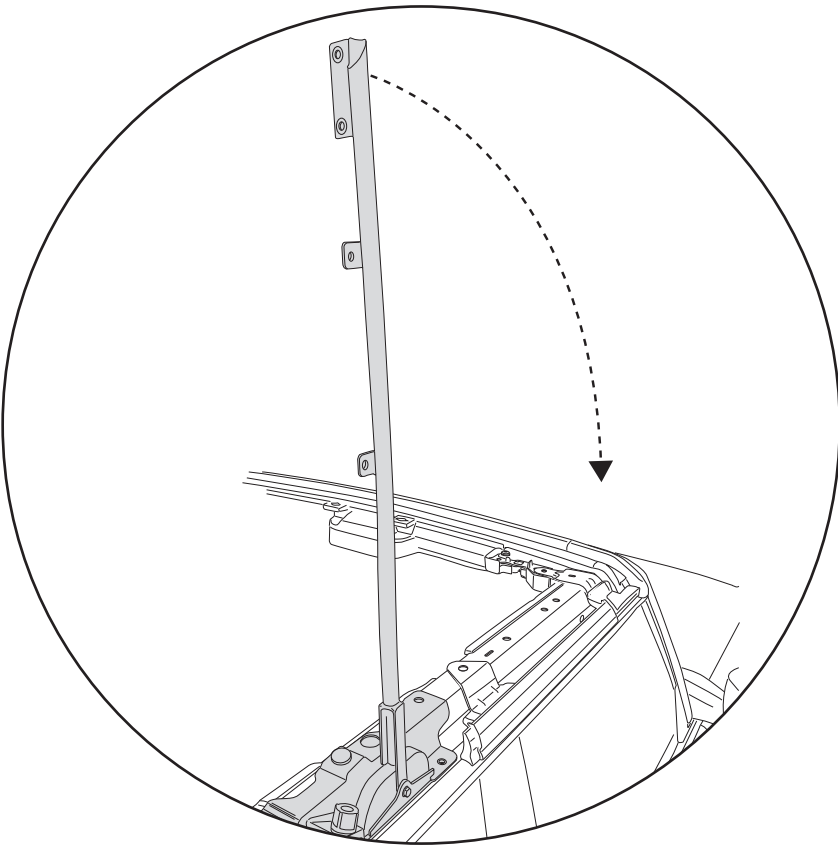
Será más fácil mover el Conjunto superior con dos personas.

Retire la antena para facilitar el acceso al lado derecho del vehículo.



Coloque el conjunto superior sobre el marco del parabrisas. Mientras mantiene la cabecera delantera en el marco del parabrisas, tienda la tela y la cabecera trasera sobre el parabrisas y deje que descansa sobre el capó del vehículo.

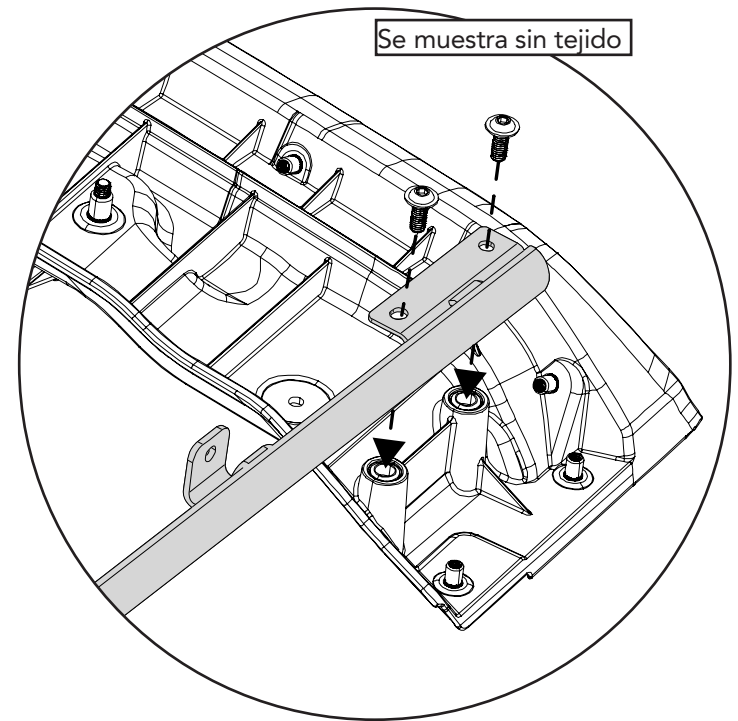
## Sección 11 Fije los arcos laterales a la cabecera (conjunto superior)



### Herramientas

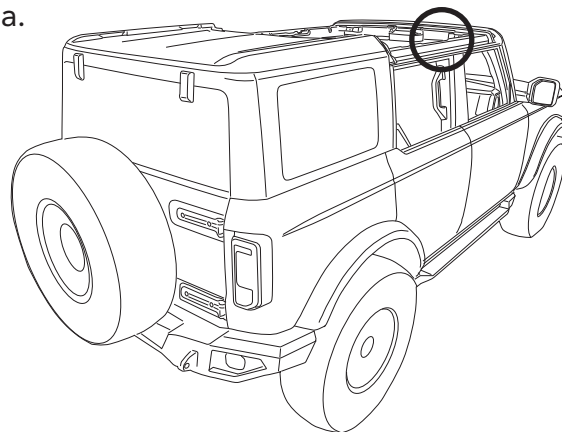


Destornilladores  
Torx T30

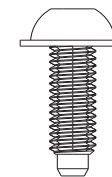
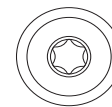


Fije la proa lateral a la proa n° 1 (parte que se engancha al parabrisas) utilizando dos (2) Tornillos M6 x 15mm.

Repita en el otro lado del Ensamble de Tela.



### Partes



Tornillo, M6 X 15mm  
Parte N°533.61  
Cant. 4  
T-30 Torx

## Sección 12 Instale 1.5 Bow

### Herramientas



Destornilladores  
Torx T30

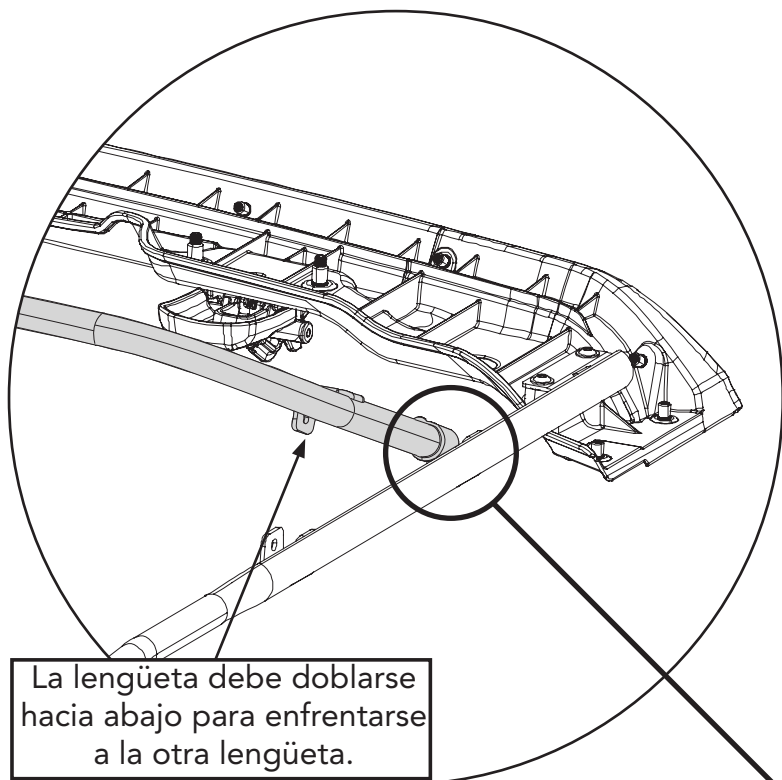
### Partes



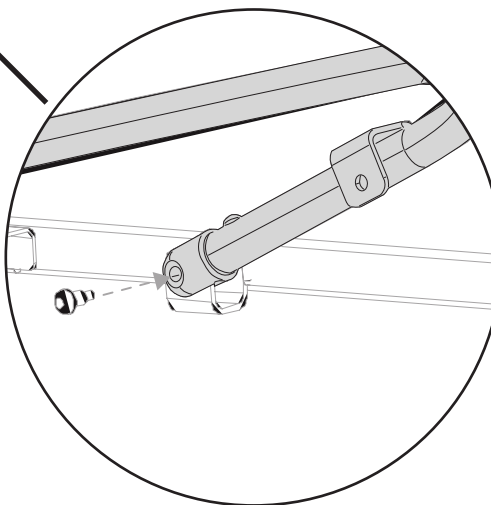
1.5 Conjunto de proa  
Parte N°602.46  
Cant. 1



Tornillo, Rótula de pivote  
Parte N°308.65  
Cant. 2  
T-30 Torx



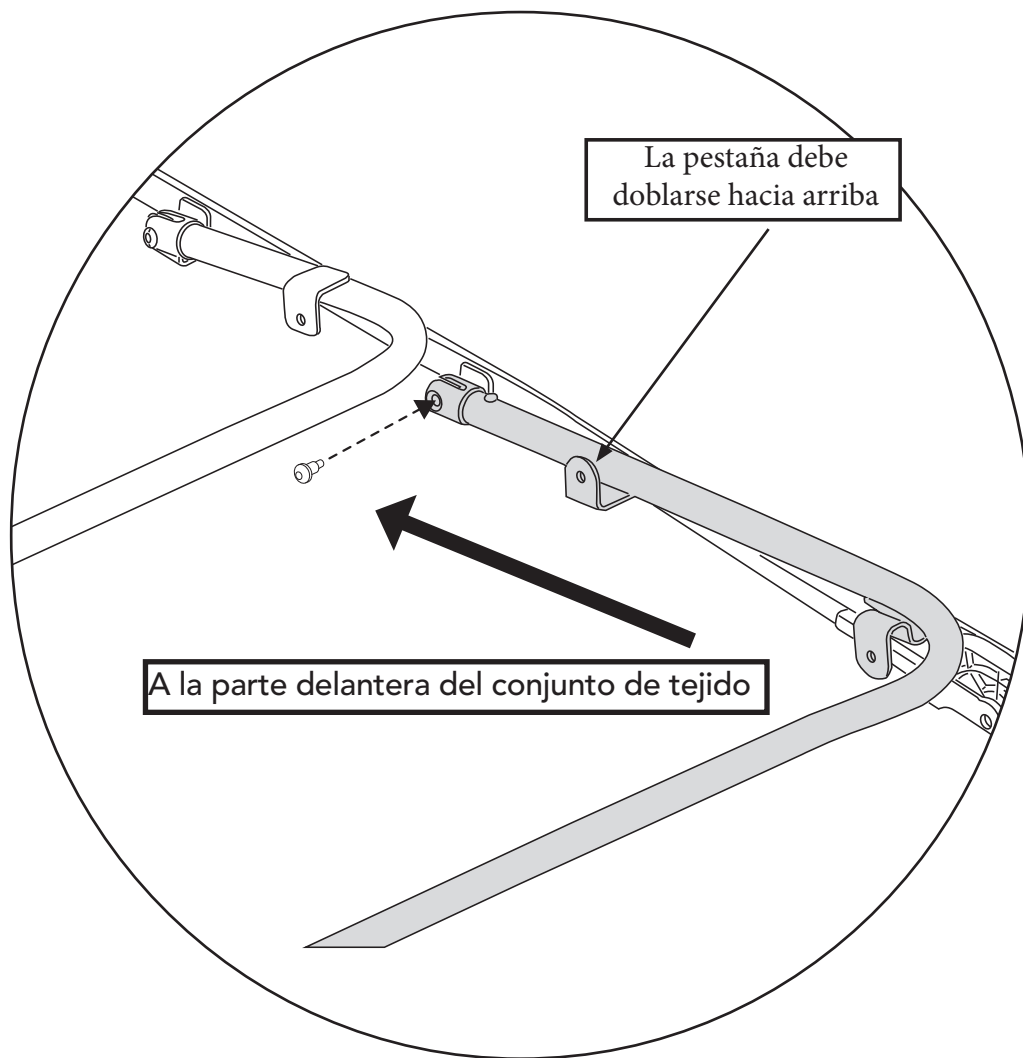
La lengüeta debe doblarse hacia abajo para enfrentarse a la otra lengüeta.



Fije el arco de 1,5 a los raíles laterales delanteros utilizando dos (2) de los tornillos de los nudillos de pivote.

Repita este paso en el lado izquierdo del conjunto.

## Sección 13 Instale #2 Bow

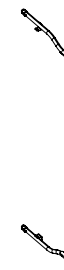


### Herramientas



Destornilladores  
Torx T30

### Partes



2 Conjunto de proa  
Parte N°617.40  
Cant. 1

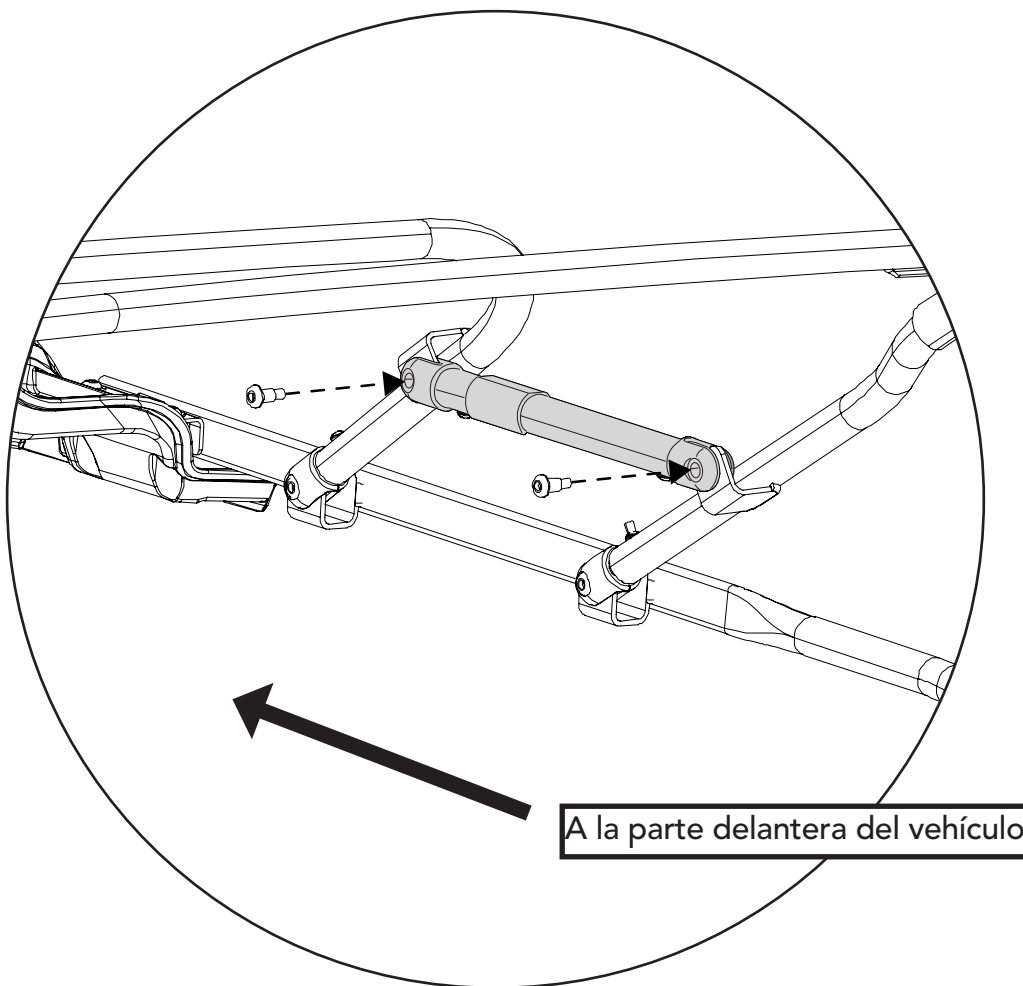


Tornillo, Rótula de pivote  
Parte N°308.65  
Cant. 2  
T-30 Torx

Fije los 2 Arcos a los Rieles Laterales Delanteros  
usando dos (2) de los Tornillos de Pivote.

Repita este paso en el lado izquierdo del conjunto.

## Sección 14 Instalar 1.5 Varillaje de control de proa



Fije el varillaje de control de la proa 1,5 a la proa 1,5 y a la proa n° 2 utilizando dos (2) de los tornillos de los nudillos de pivote.

Repita este paso en el lado izquierdo del conjunto.

### Herramientas



Destornilladores  
Torx T30

### Partes



Varillaje de control  
Parte N°602.75  
Cant. 2



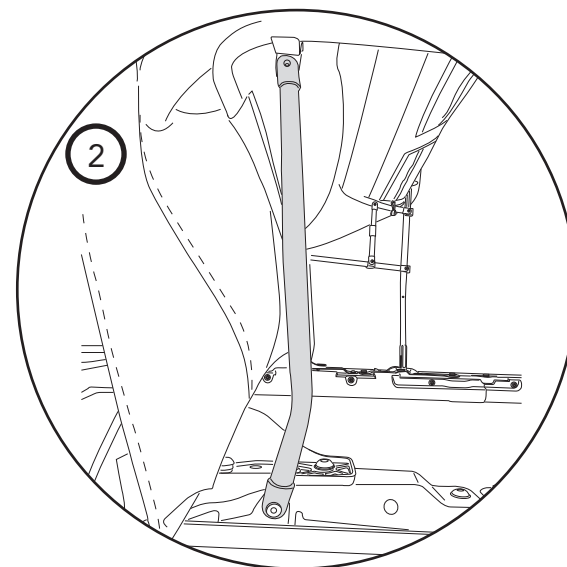
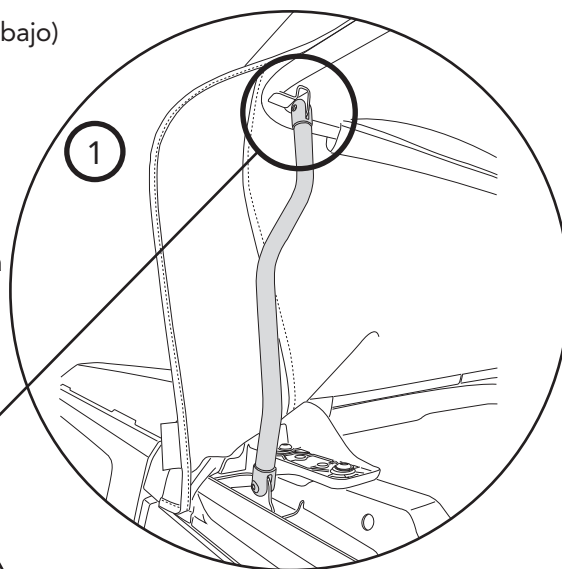
Tornillo, Rótula de pivote  
Parte N°308.65  
Cant. 4  
T-30 Torx

## Sección 15 Instalar Varillaje de control de proa

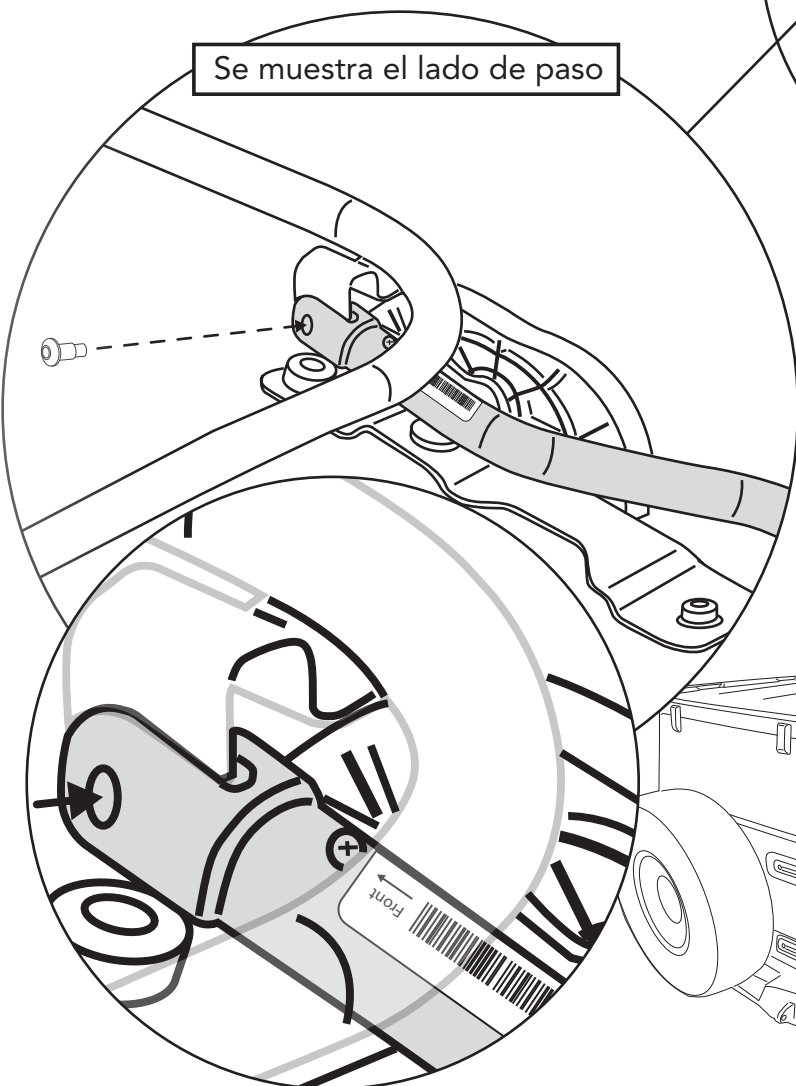
Fije el varillaje de control al arco n° 2 (la lengüeta apunta hacia abajo) utilizando uno (1) de los tornillos del nudillo de pivote.

Repita este paso en el lado izquierdo del conjunto.

- 1 El varillaje se dobla hacia dentro - Pestaña en el Proa #2.
- 2 El varillaje se dobla hacia arriba - Pestaña en el carril de la puerta trasera



Se muestra el lado de paso



### Herramientas

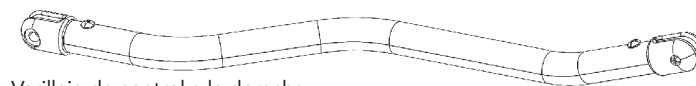


Destornilladores  
Torx T30

### Partes



Tornillo, Rótula de pivote  
Parte N°308.65  
Cant. 2  
T-30 Torx



Varillaje de control a la derecha  
Parte N°620.86  
Cant. 1

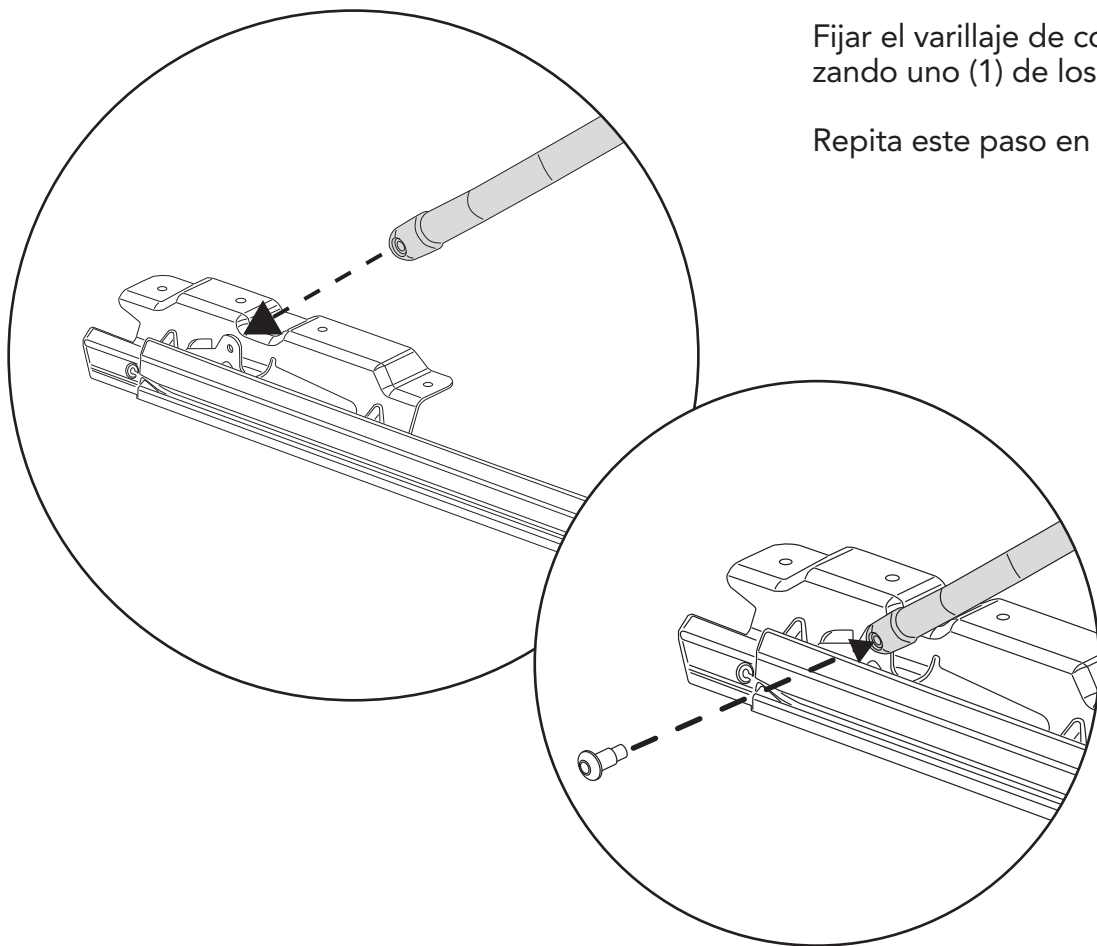


Varillaje de control a la izquierdo  
Parte N°620.87  
Cant. 1

## Sección 15 Instalar Varillaje de control de proa (Cont.)

Fijar el varillaje de control al riel trasero de la puerta utilizando uno (1) de los tornillos del nudillo de pivote.

Repita este paso en el lado izquierdo del conjunto.



### Herramientas

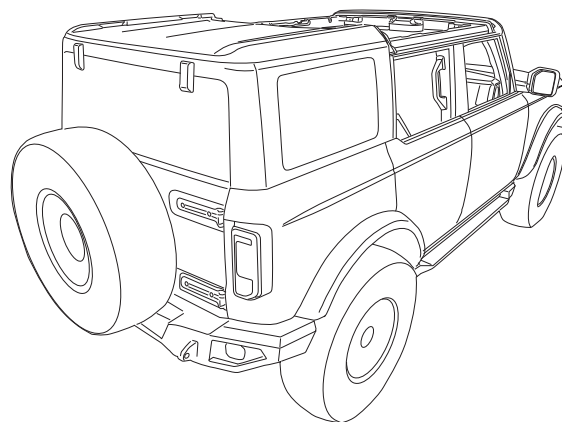


Destornilladores  
Torx T30

### Partes

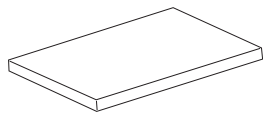


Tornillo, Rótula de pivote  
Parte N°308.65  
Cant. 2  
T-30 Torx



## Sección 16 Instalar espuma de halo trasero

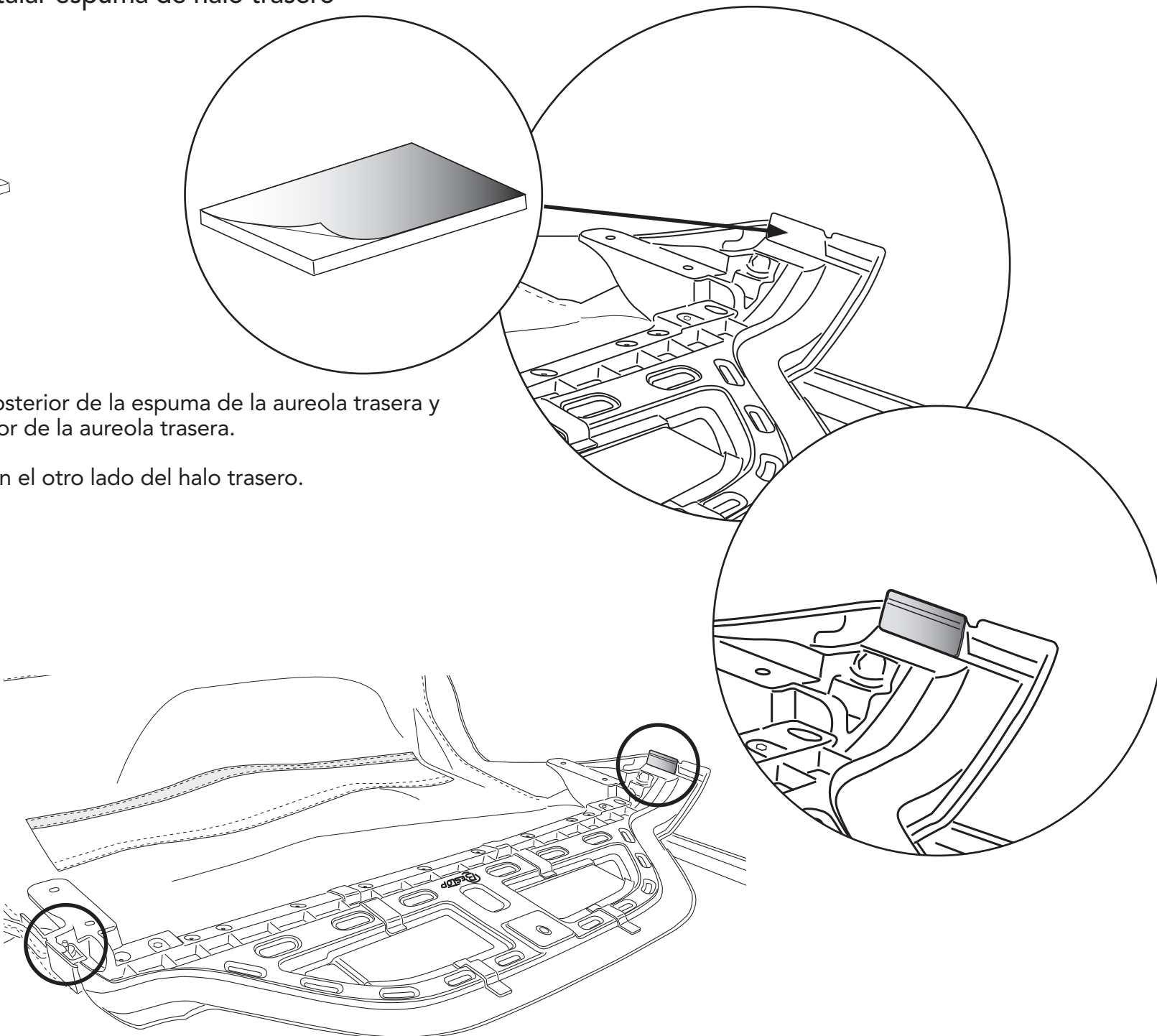
### Partes



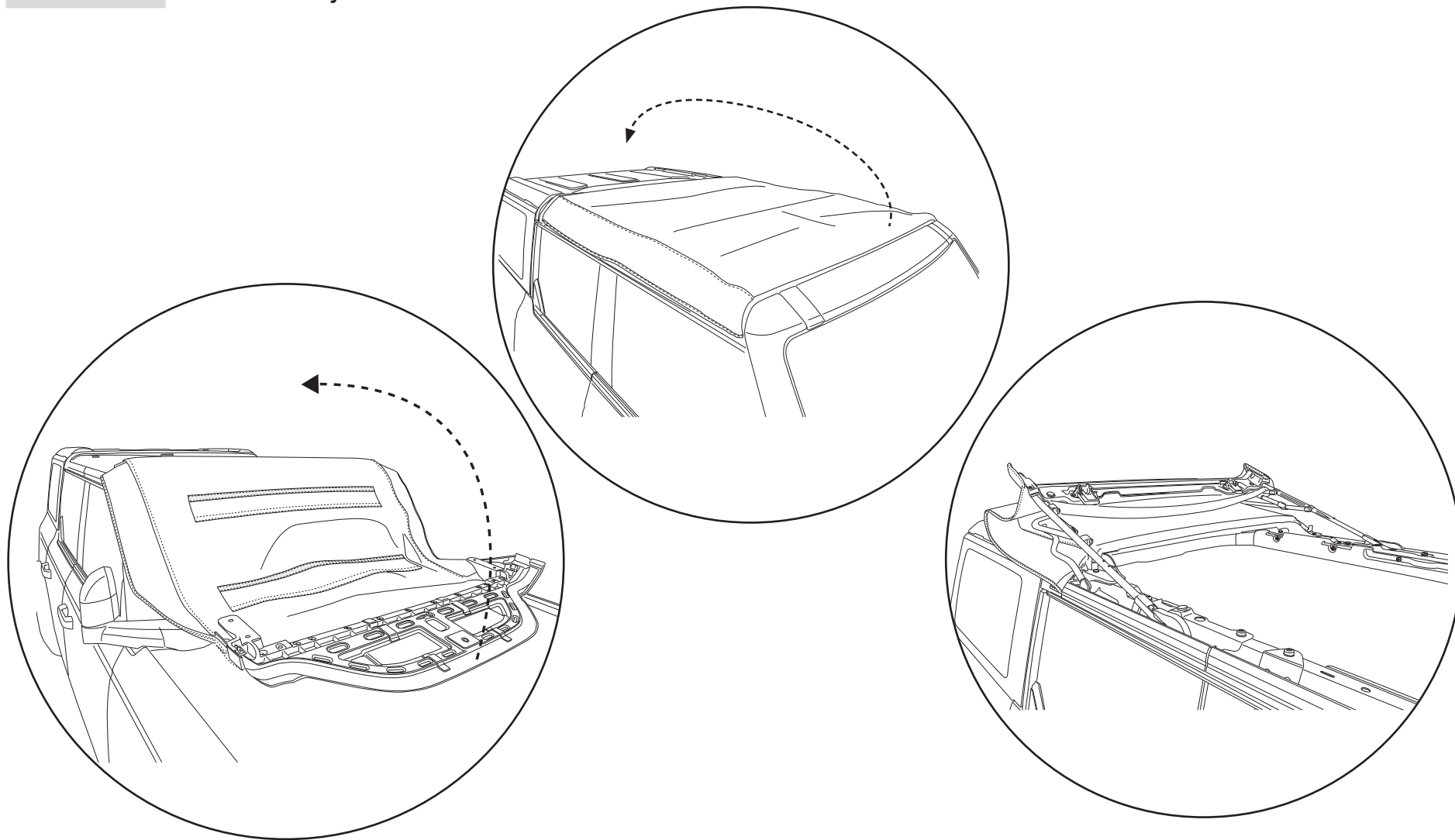
Espuma trasera Halo  
Parte N°646.69  
Cant. 2

Despegue la parte posterior de la espuma de la aureola trasera y colóquela en el interior de la aureola trasera.

Repita la operación en el otro lado del halo trasero.



## Sección 17 Tire del conjunto de la tela hacia atrás



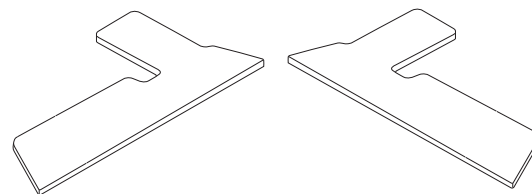
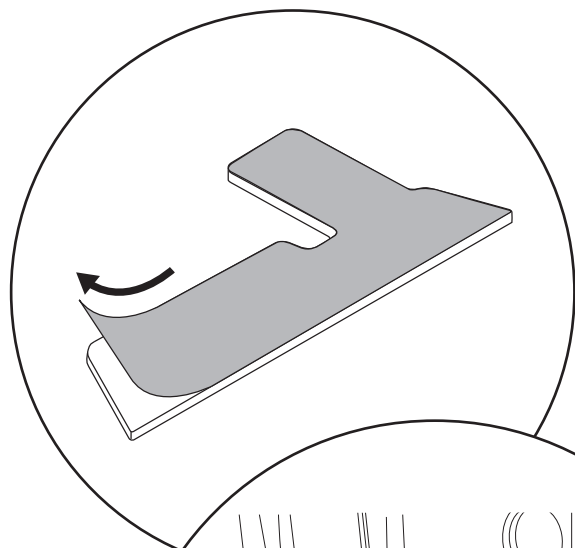
Tire del conjunto de la tela hacia atrás y coloque el cabezera trasero en el techo rígido, luego levante el cabezera delantero para que los arcos laterales queden en posición vertical.

**Consejo**

Será más fácil mover el Top con dos personas.

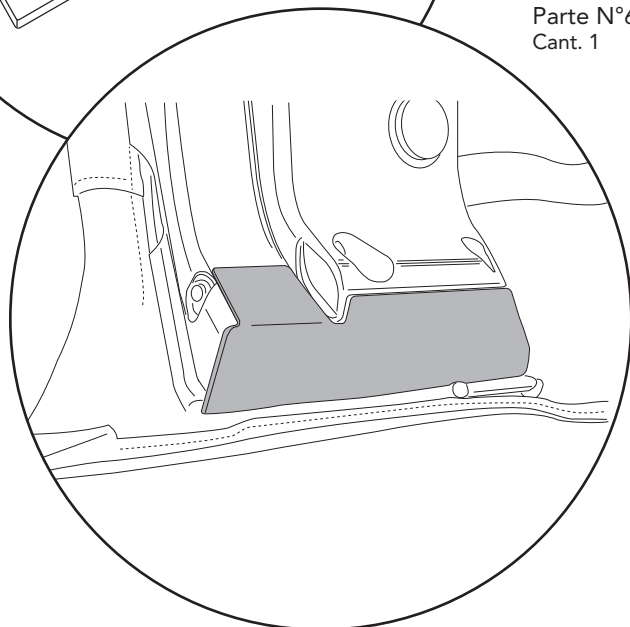
## Sección 18 Instalar espuma de proa n° 1 y fijar proa n° 1

Partes



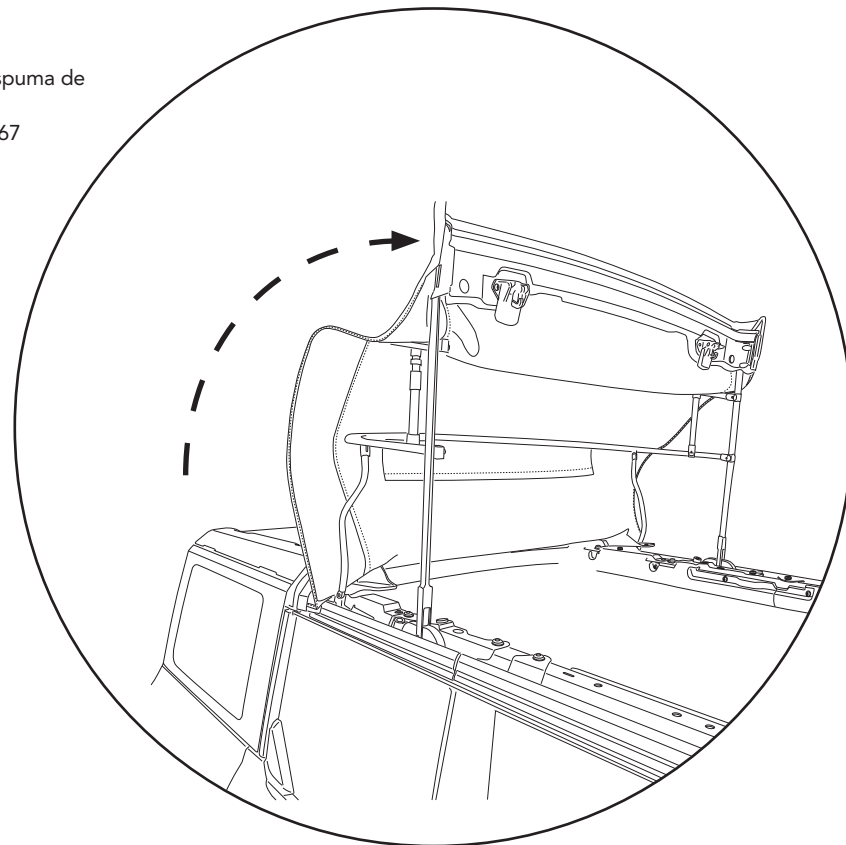
#1 Junta de espuma de proa derecha  
Parte N°615.66  
Cant. 1

#1 Junta de espuma de proa izquierda  
Parte N°615.67  
Cant. 1



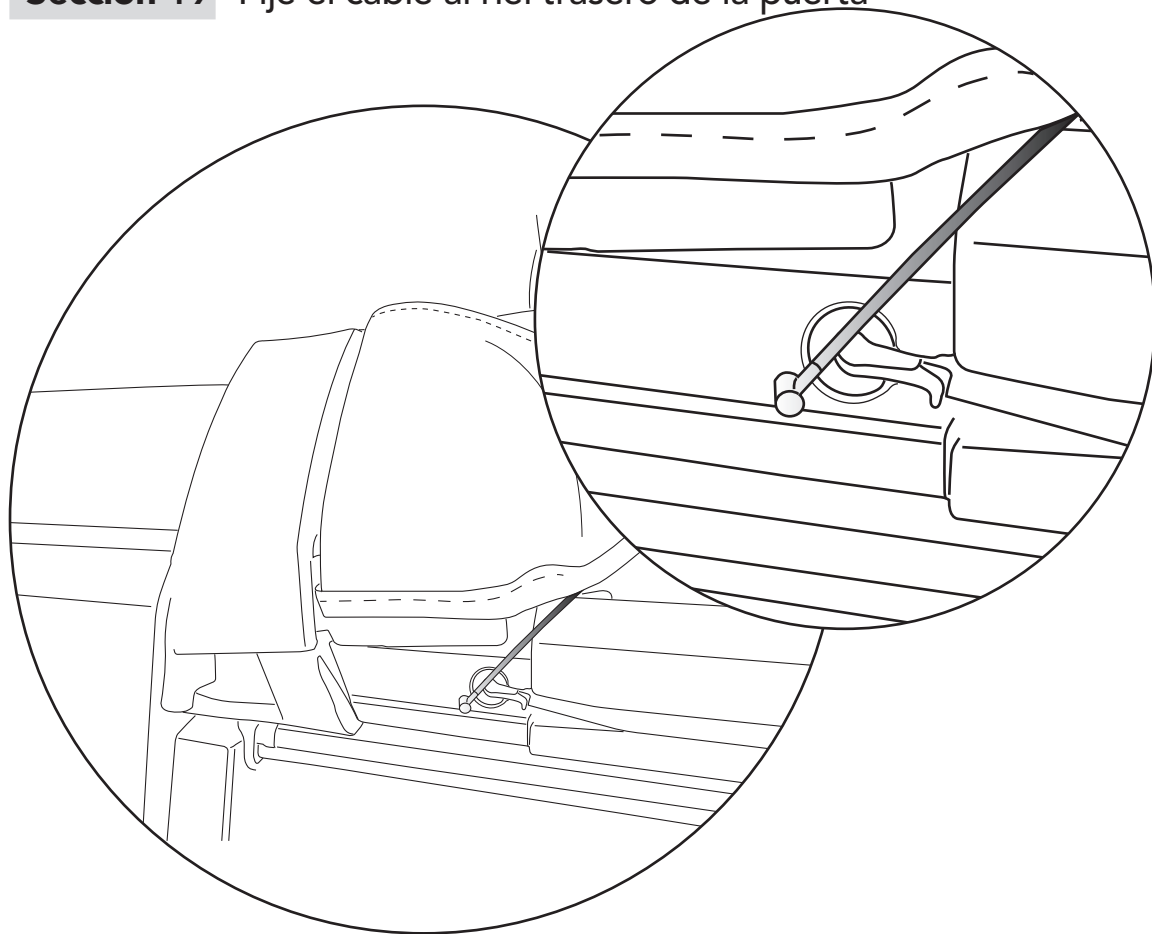
Despegue el papel protector de la parte posterior del sello de espuma del moño n.º 1 y adhiéralo al lateral del moño n.º 1. Repita este paso en el lado izquierdo del conjunto.

Repita este paso en el lado izquierdo del conjunto.

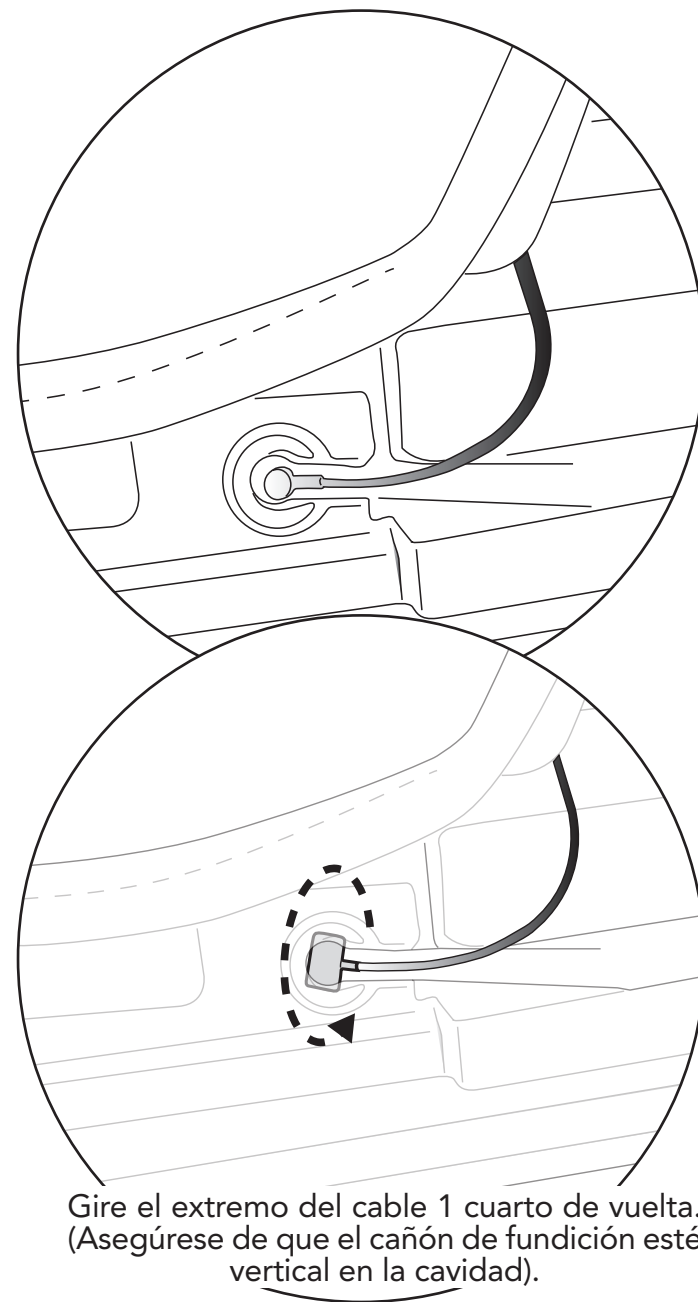
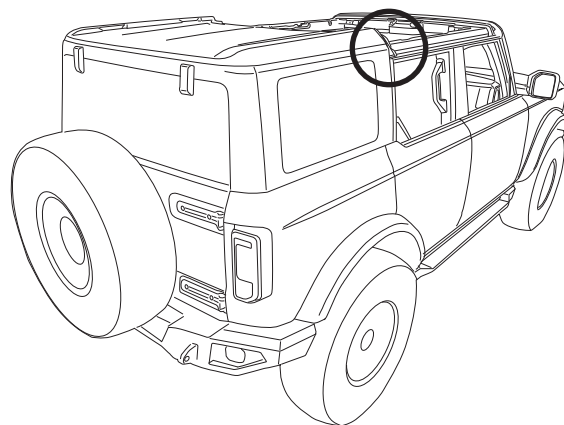


Coloque el Proa n° 1 en posición vertical.

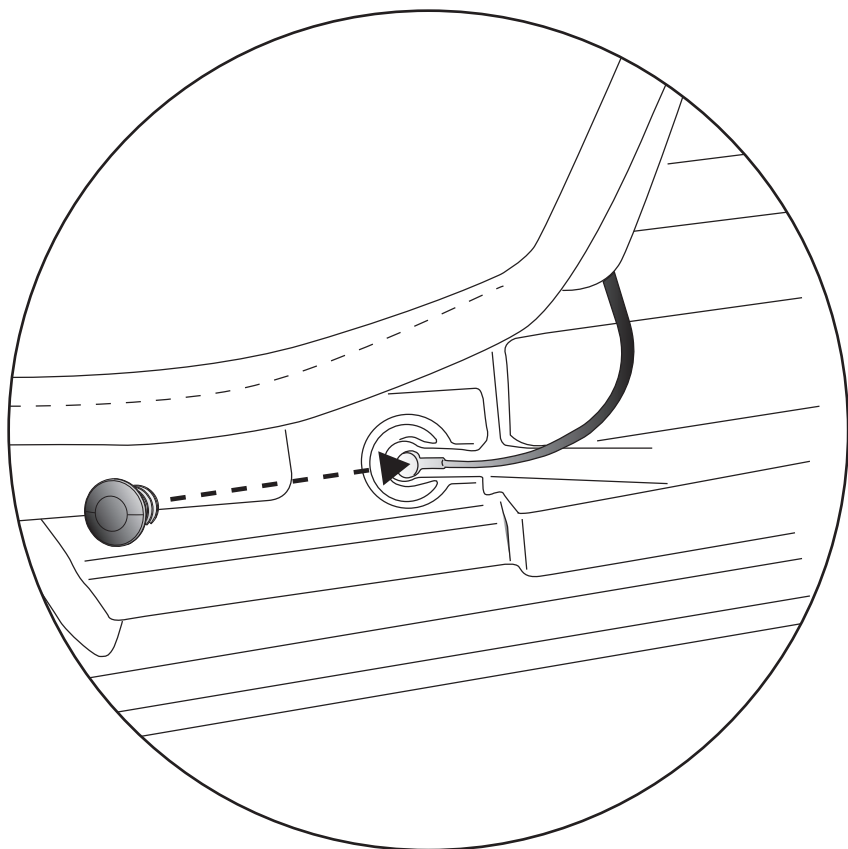
## Sección 19 Fije el cable al riel trasero de la puerta



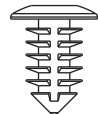
Busque el cable situado en el borde del ensamblaje de la tela.  
Tire de él hacia abajo hasta la ranura del riel de la puerta trasera y, a continuación, introdúzcalo en la ranura.



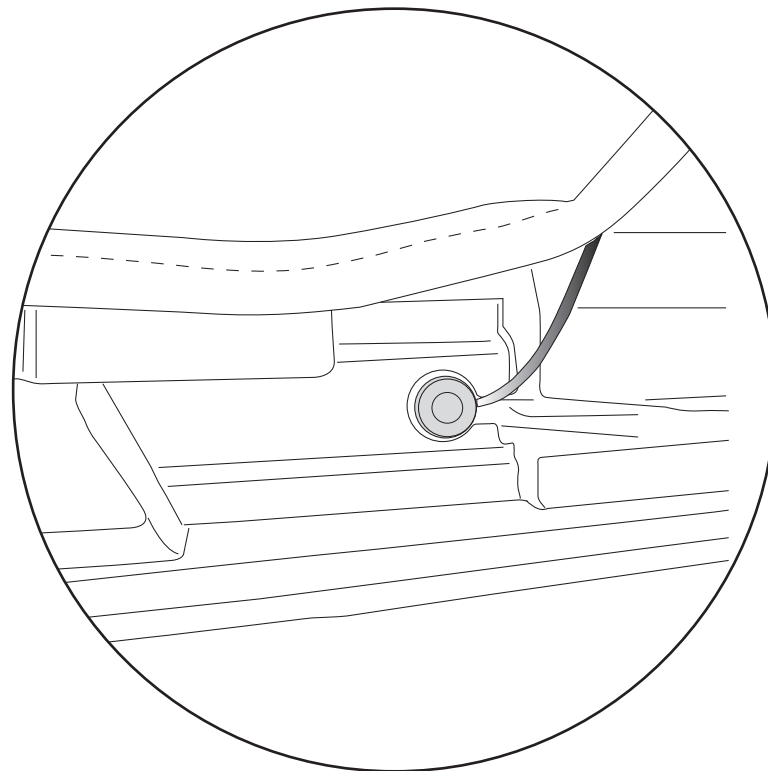
## Sección 19 Fije el cable al riel trasero de la puerta (Cont.)



Partes

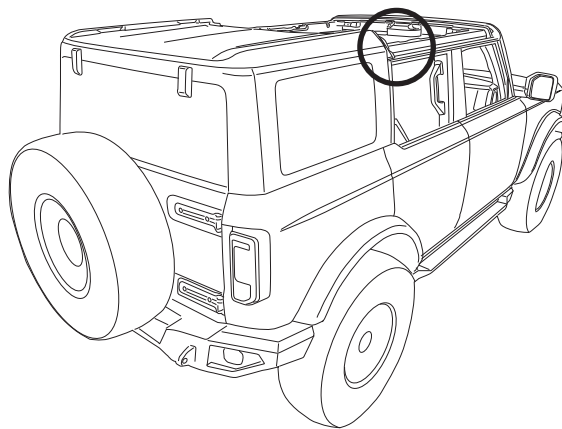


Pasador de empuje  
Parte N°533.96  
Cant. 2



Presione el pasador en la ranura para mantener el cable seguro.

Repita este paso en el lado izquierdo del conjunto.

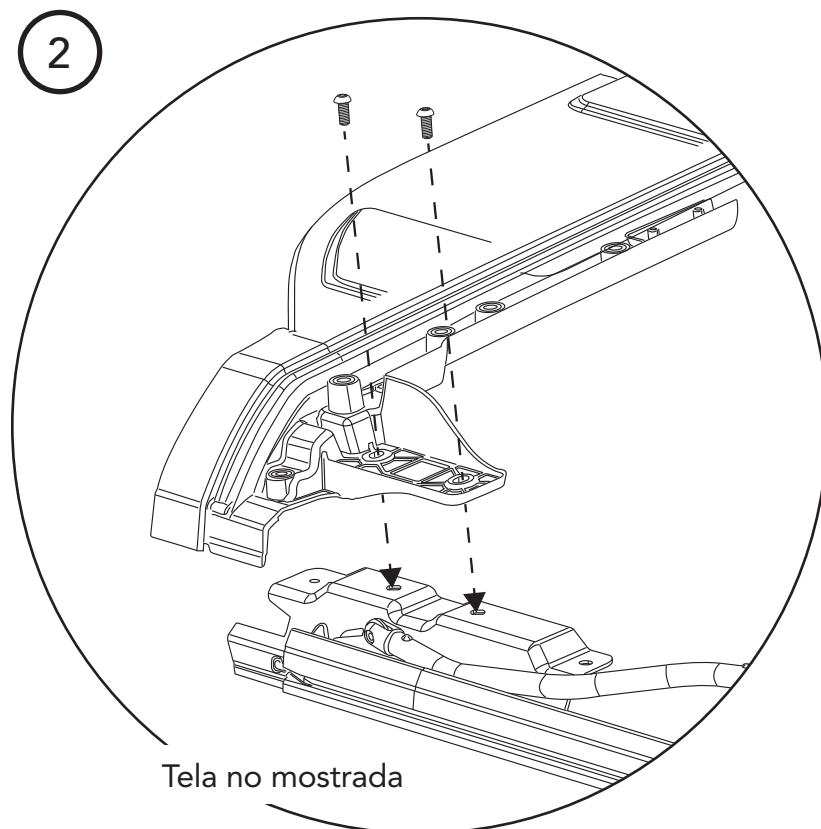
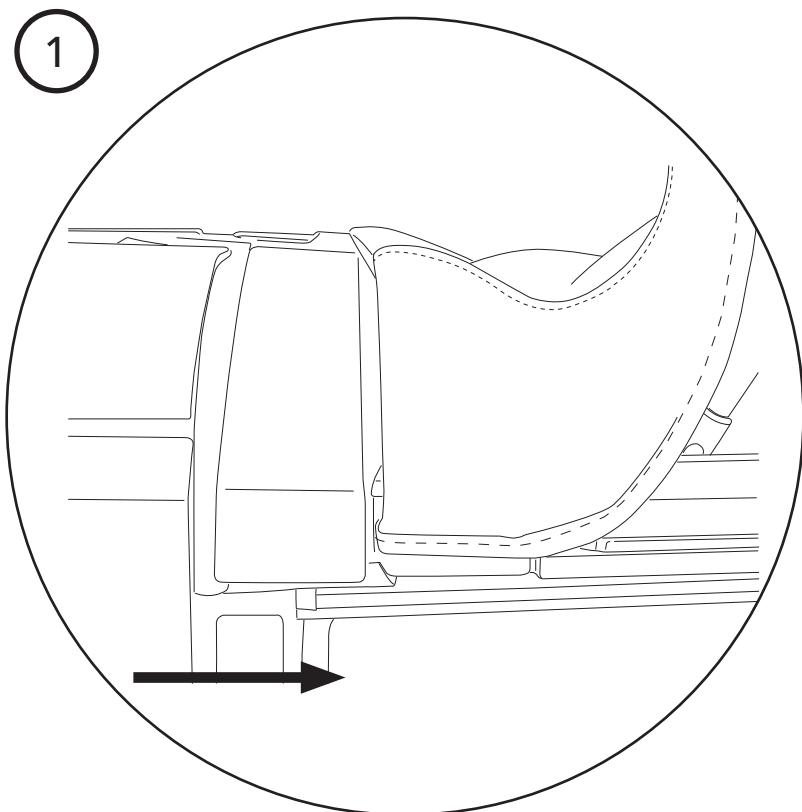


## Sección 20 Mueva el halo trasero hacia delante y fíjelo al vehículo.

### Herramientas

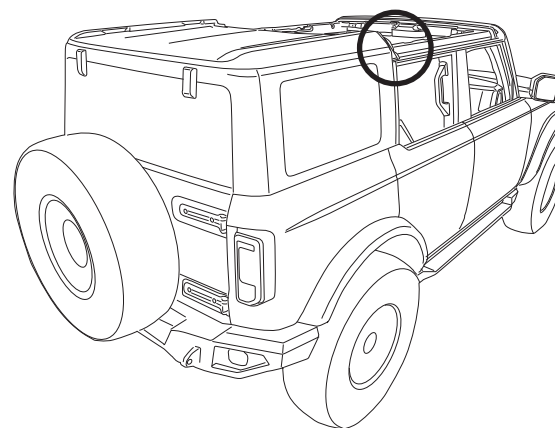


Destornilladores  
Torx T40

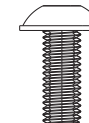


- 1 Mueve el Halo hacia delante y hacia abajo.
- 2 Fije el Halo al riel trasero de la puerta con dos (2) tornillos M8 x 20 mm.

Repita la operación en el otro lado del vehículo.



### Parts



Tornillo, M8 x 20mm  
Parte N°573.09  
Cant. 4  
T-40 Torx

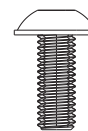
## Sección 21 Fijar el halo al techo duro (centro).

### Herramientas

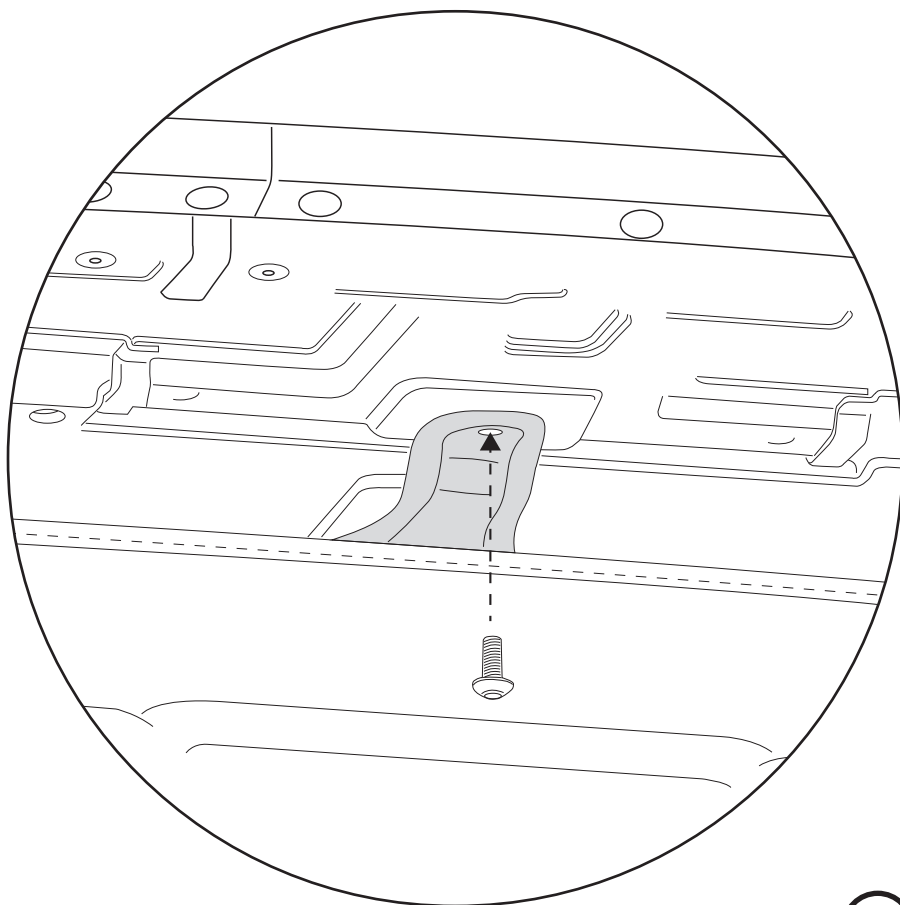


Destornilladores  
Torx T40

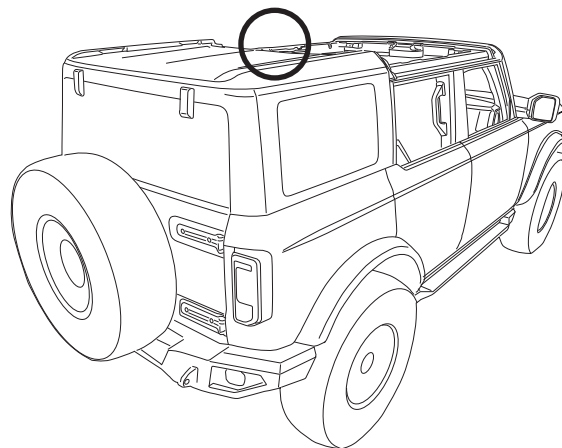
### Partes



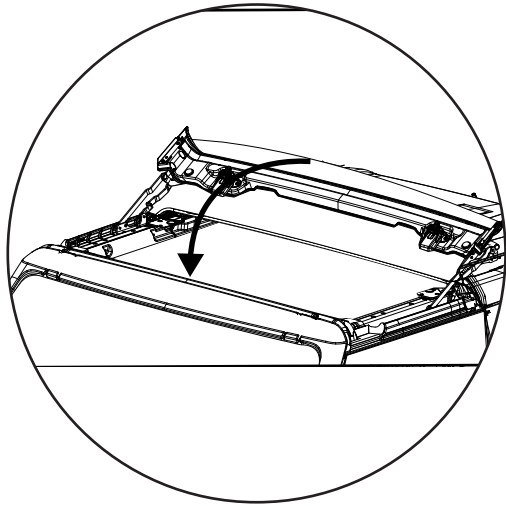
Tornillo, M8 x 20mm  
Parte N°573.09  
Cant. 1  
T-40 Torx



Fije el Halo al soporte de fijación del Halo (instalado en el techo rígido en la sección 3) utilizando un (1) tornillo M8 x 20 mm.



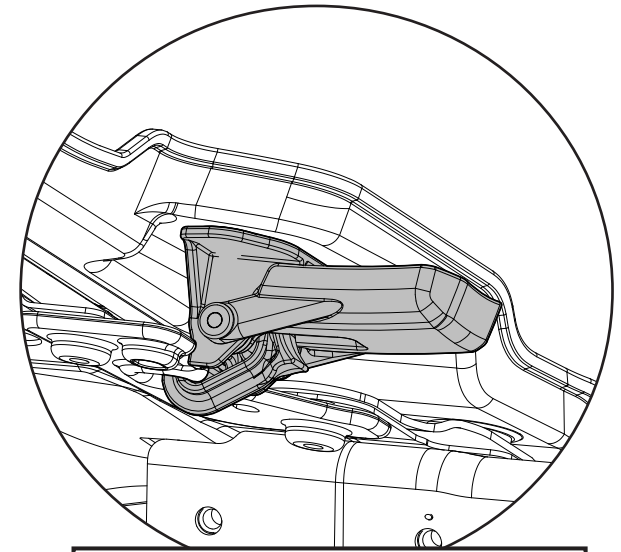
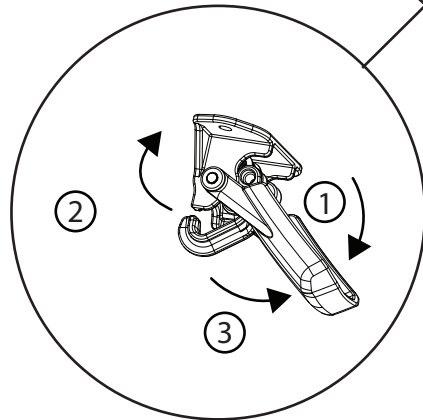
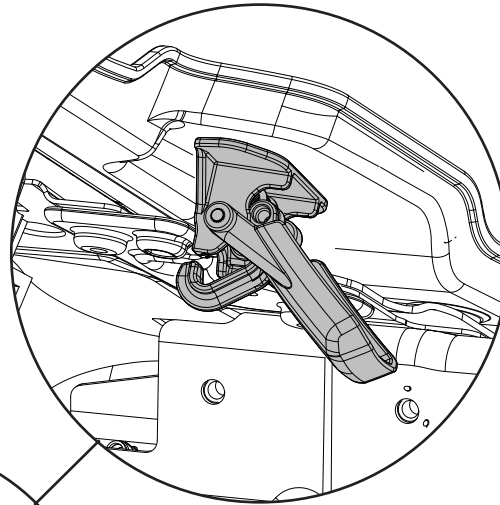
## Sección 22 Cerrar y enganchar el encabezado



Doblar el Sunrider hacia adelante.

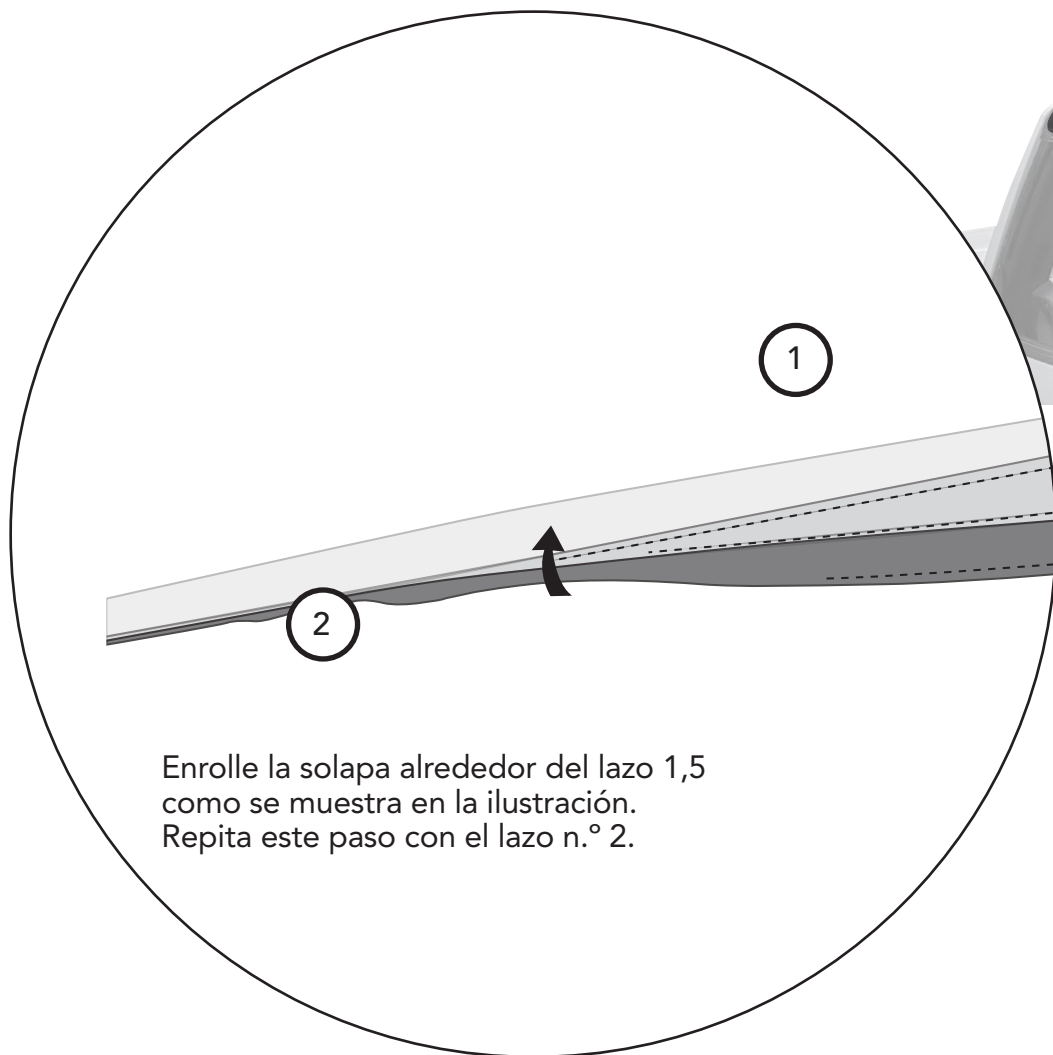
Asegurar ambos cerrojos al cabezal del parabrisas del vehículo.

- ① Girar la manija del cerrojo hacia abajo;
- ② Colocar el gancho;
- ③ Girar la manija del cerrojo de nuevo hacia arriba.

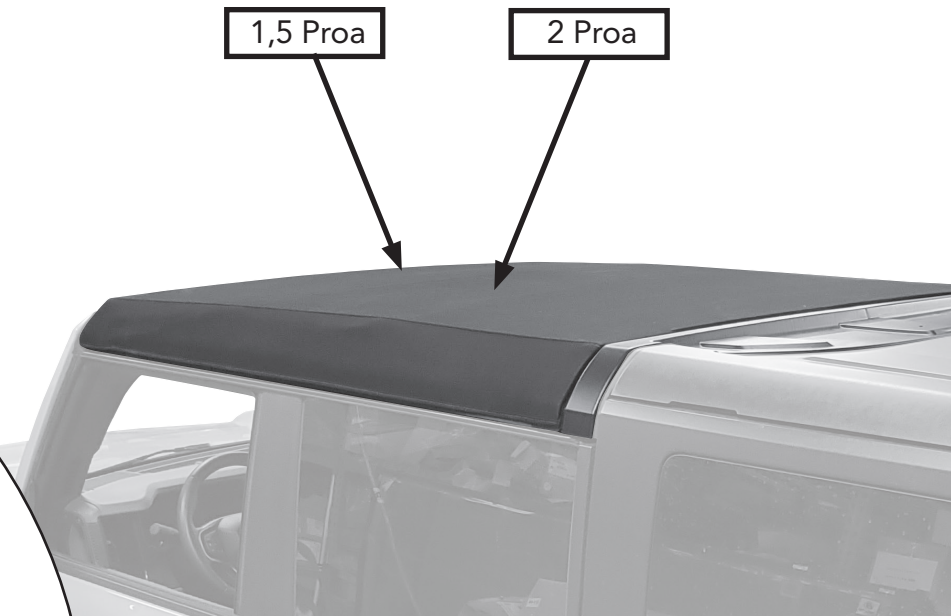


Enganchar en posición cerrada

## Sección 23 Fijar los faldones de proa



Enrolle la solapa alrededor del lazo 1,5 como se muestra en la ilustración. Repita este paso con el lazo n.º 2.



**NOTA**

Recuerde volver a instalar la antena.

**Enhorabuena**

Ha finalizado la instalación de su capota Bronco® Skyrider. Esperamos que disfrute de muchos años de servicio con su nueva capota.



## Cuidado y mantenimiento de su producto Bestop

Su producto Bestop está fabricado con los mejores materiales disponibles. Para mantenerlo como nuevo y para el máximo desgaste posible, necesitará limpieza y mantenimiento periódicos.

**Tejido:** El tejido debe lavarse a menudo con jabón, agua tibia y un cepillo de cerdas suaves. de jabón. Bestop recomienda el uso de Bestop Cleaner (ref. 11201-00) y Bestop Protectant (ref. 11202-00) para el tejido de vinilo y Bestop Twill Protectant (ref. 11207-00) para el tejido de sarga. Bestop Twill Protectant (parte no. 11207-00) para tejido Twill. Bestop Cleaner y Bestop Protectant están especialmente formulados para proporcionar un sistema total de limpieza y protección. Bestop Cleaner elimina con seguridad las manchas más difíciles, no daña los acabados del vehículo, es biodegradable y respetuoso con el medio ambiente. y respetuoso con el medio ambiente. Bestop Protectant protege contra la decoloración por rayos UV, el agrietamiento y el endurecimiento, y repele el polvo, la grasa, la suciedad y el moho.

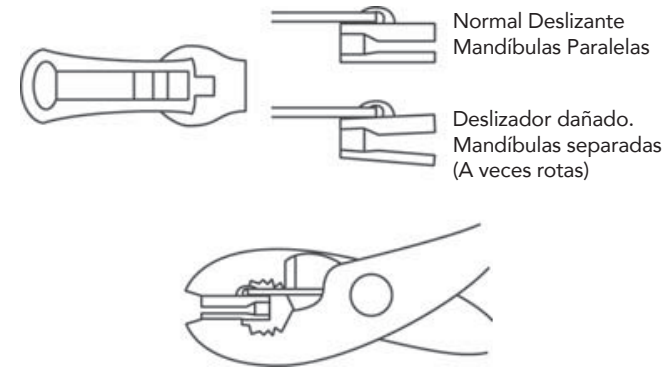
**Ventanas:** Mantenga las ventanas limpias para evitar arañazos. NO utilice cepillos en los cristales. Lávelos con un paño o una esponja empapados en agua y un detergente lavavajillas suave. Bestop recomienda el Limpiador de Ventanas de Vinilo Bestop (pieza n° 11203-00), que limpia y protege de forma segura las ventanas de vinilo y ayuda a prevenir los daños causados por los rayos UV. protege los cristales de vinilo y ayuda a prevenir los daños causados por los rayos UV. NUNCA LIMPIE LOS CRISTALES CUANDO ESTÉN SECOS. Tenga cuidado al limpiar nieve o escarcha de los cristales de vinilo, ya que se rayan con facilidad y pueden agrietarse a bajas temperaturas. NO gire las ventanillas trasera cuando haga frío. Las ventanillas se vuelven rígidas y se agrietan. La garantía no cubre las grietas causadas por un uso incorrecto a bajas temperaturas. garantía.

**Agua:** La filtración a través de las costuras puede detenerse aplicando 3-M Scotchgard® en el interior de las costuras.

**Broches:** Mantenga los broches limpios y lubricados con silicona para evitar que se peguen a las tachuelas. Si un broche se queda pegado a un espárrago, utilice un destornillador y haga palanca SUAVEMENTE para evitar daños permanentes en el broche o en el tejido superior.

**Cremalleras:** Mantener las cremalleras limpias y lubricadas con el limpiador de cremalleras de Bestop (pieza n° 11206-00) ayudará a prevenir daños y a mantener las cremalleras en perfectas condiciones de funcionamiento. Si una cremallera se abre por detrás del deslizador, es posible que el deslizador se haya separado. Este problema puede

Este problema puede repararse normalmente utilizando un par de alicates ordinarios para volver a poner los lados en paralelo. Vuelva a colocar el deslizador al final de la cremallera en la posición normal de Apertura. Apriete ligeramente a fi rma y pruebe la cremallera. Si la cremallera continúa abierta apriete más fi rme con los alicates y pruebe de nuevo la cremallera. Repita este procedimiento hasta que la cremallera funcione correctamente.



**Para obtener información sobre la garantía de Bestop, visite;**

<https://www.bestop.com/help/warranty-information/>





# Instructions d'installation Bronco® Skyrider

Applicable au véhicule :  
Ford Bronco 4 portes 2021-Actuel  
Référence de la pièce 52462

## Astuces d'installation

Avant de commencer à installer votre nouveau Bronco® Skyrider, veuillez lire la totalité des instructions et visionner la vidéo d'installation de Bestop. (Voir la section Support à cette page).

**AVERTISSEMENT** Ne vous fiez en aucune manière aux composants de ce produit pour vous protéger contre des blessures ou la mort en cas d'accident. N'utilisez jamais le véhicule au-delà des spécifications du fabricant.

Lisez et suivez scrupuleusement toutes les instructions d'installation fournies lors de l'installation de ce produit.

Ne pas le faire peut entraîner un mauvais ajustement et peut placer les occupants du véhicule dans une situation potentiellement dangereuse.

Pour faciliter l'installation, la capote doit être installée à une température supérieure à 21 °C (72 °F). En dessous de cette température, le tissu peut se contracter en compliquant sa pose sur le véhicule.



## METTEZ LES CEINTURES DE SÉCURITÉ À TOUS MOMENTS

**ATTENTION** Des lunettes de protection doivent être portées à tous moments lors de l'installation de ce produit.

## REMARQUE

\*Il est conseillé de se mettre à deux pour aider à soulever la capote sur le véhicule.

### Outils



Sécurité  
Lunettes



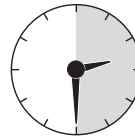
T30, T40 et T50  
Tournevis Torx



## REMARQUE

L'utilisation d'une perceuse électrique peut provoquer un couple excessif et endommager le couvercle et/ou le véhicule.

### Temps d'installation



2.5 Heures

### Skill Level



3 - Modérément difficile

### Assistance

Nous sommes là pour vous aider ! Allez à :  
<https://www.bestop.com>  
et cliquez sur Need Help (Besoin d'aide) ?

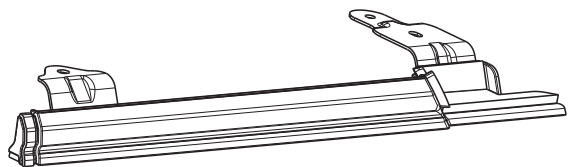


<https://www.bestop.com/video-library>

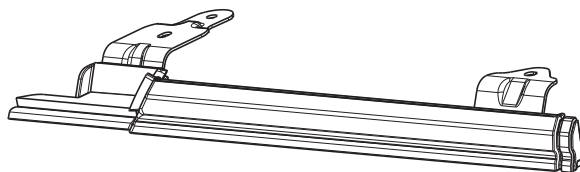


## Instructions d'installation Bronco® Skyrider

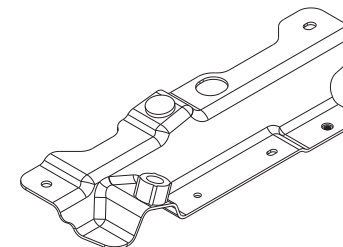
Applicable au véhicule :  
Ford Bronco 4 portes 2021-Actuel  
Référence de la pièce 52462



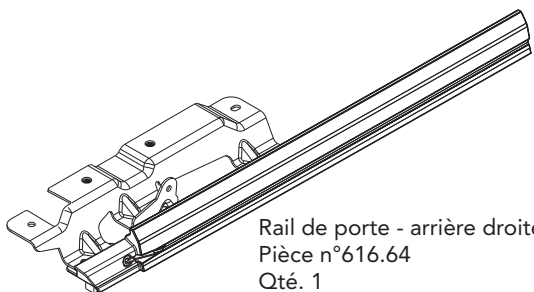
Rail de porte - Supérieur droite  
Pièce n°620.00  
Qté. 1



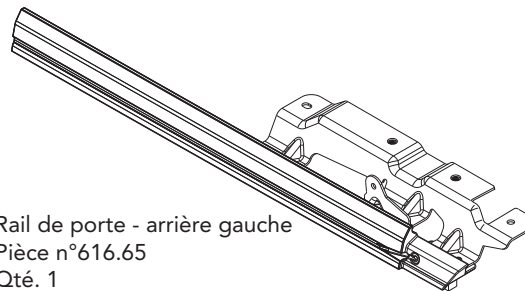
Rail de porte - Supérieur gauche  
Pièce n°620.01  
Qté. 1



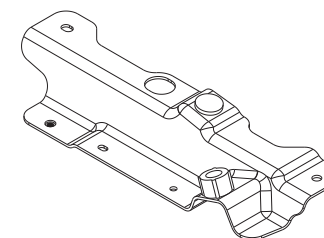
Support de pivotement principal droit-  
Pièce n°616.46  
Qté. 1



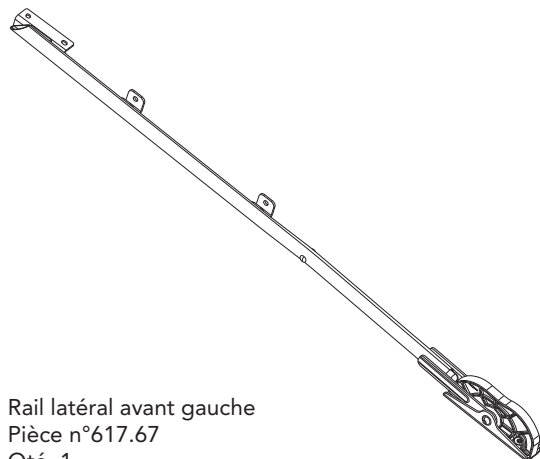
Rail de porte - arrière droite  
Pièce n°616.64  
Qté. 1



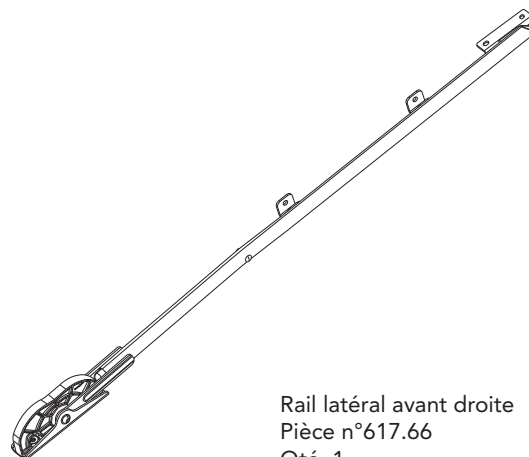
Rail de porte - arrière gauche  
Pièce n°616.65  
Qté. 1



Support de pivotement principal gauche-  
Pièce n°616.47  
Qté. 1



Rail latéral avant gauche  
Pièce n°617.67  
Qté. 1

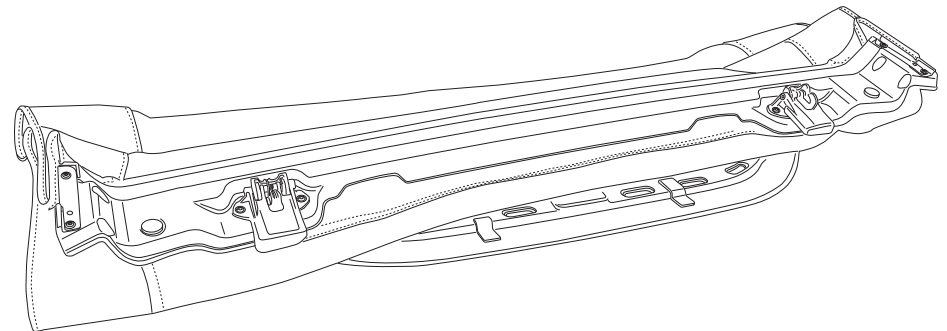
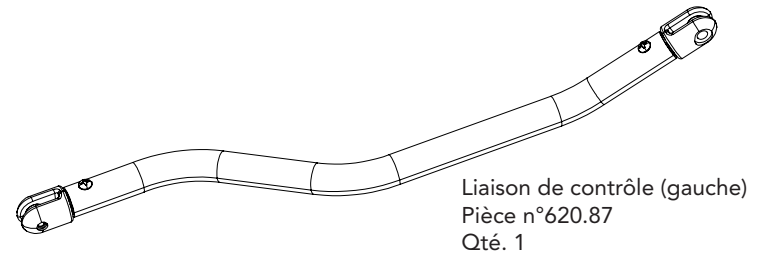
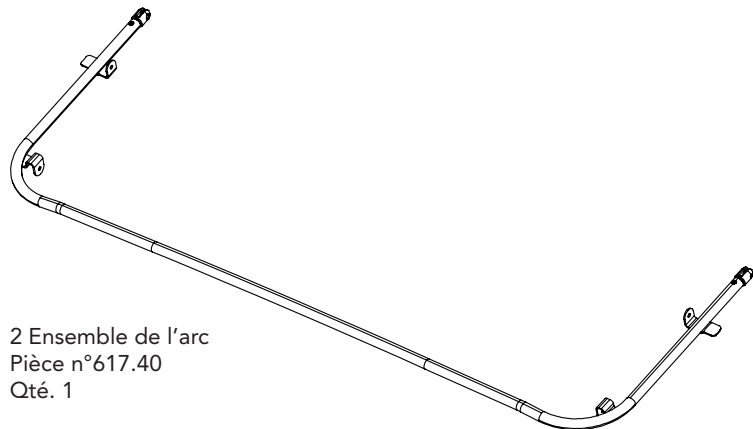
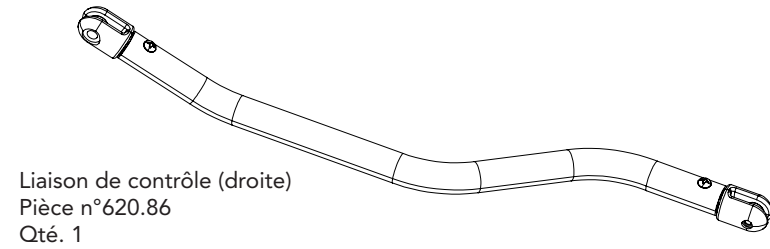
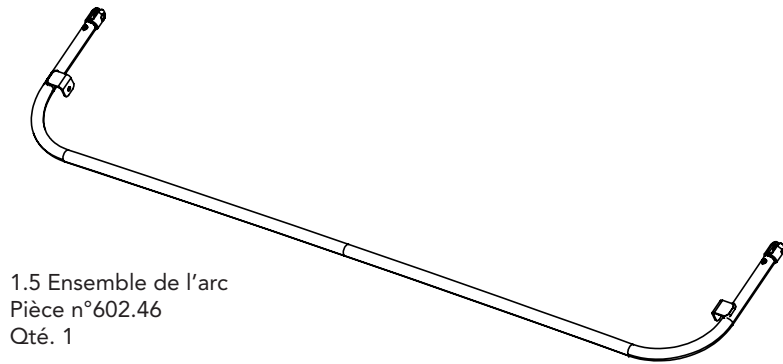


Rail latéral avant droite  
Pièce n°617.66  
Qté. 1



# Instructions d'installation Bronco® Skyrider

Applicable au véhicule :  
Ford Bronco 4 portes 2021-Actuel  
Référence de la pièce 52462

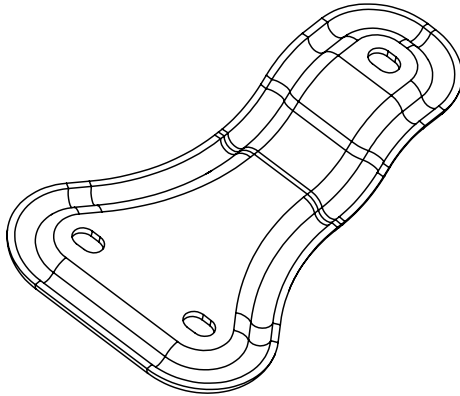




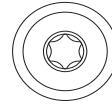
# Instructions d'installation Bronco® Skyrider

Applicable au véhicule :  
Ford Bronco 4 portes 2021-Actuel  
Référence de la pièce 52462

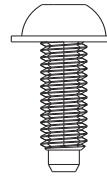
## 636.82 Kit de petites pièces



Support de Fixation Halo-  
Pièce n°619.42  
Qté. 1



VIS, M6 X 15mm  
Pièce n°533.61  
Qté. 10  
T-30 Torx



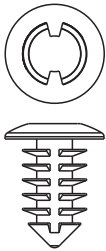
VIS, M6 X 25mm  
Pièce n°535.23  
Qté. 2  
T-30 Torx



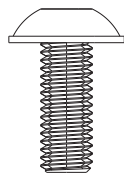
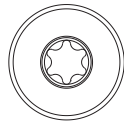
Vis, Articulation de Pivot  
Pièce n°308.65  
Qty. 12  
T-30 Torx



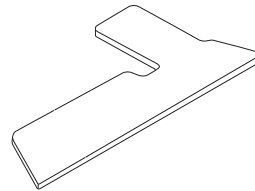
Liaison de contrôle  
Pièce n°602.75  
Qté. 2



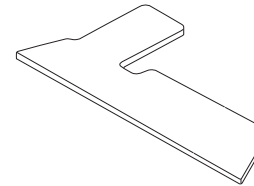
Goupille de poussée-  
Pièce n°533.96  
Qté. 2



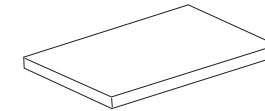
VIS, M8 X 20mm  
Pièce n°573.09  
Qté. 7  
T-40 Torx



#1 Joint en mousse de l'étrave  
(à droite)  
Pièce n°615.66  
Qté. 1



#1 Joint en mousse de l'étrave  
(à gauche)  
Pièce n°615.67  
Qté. 1

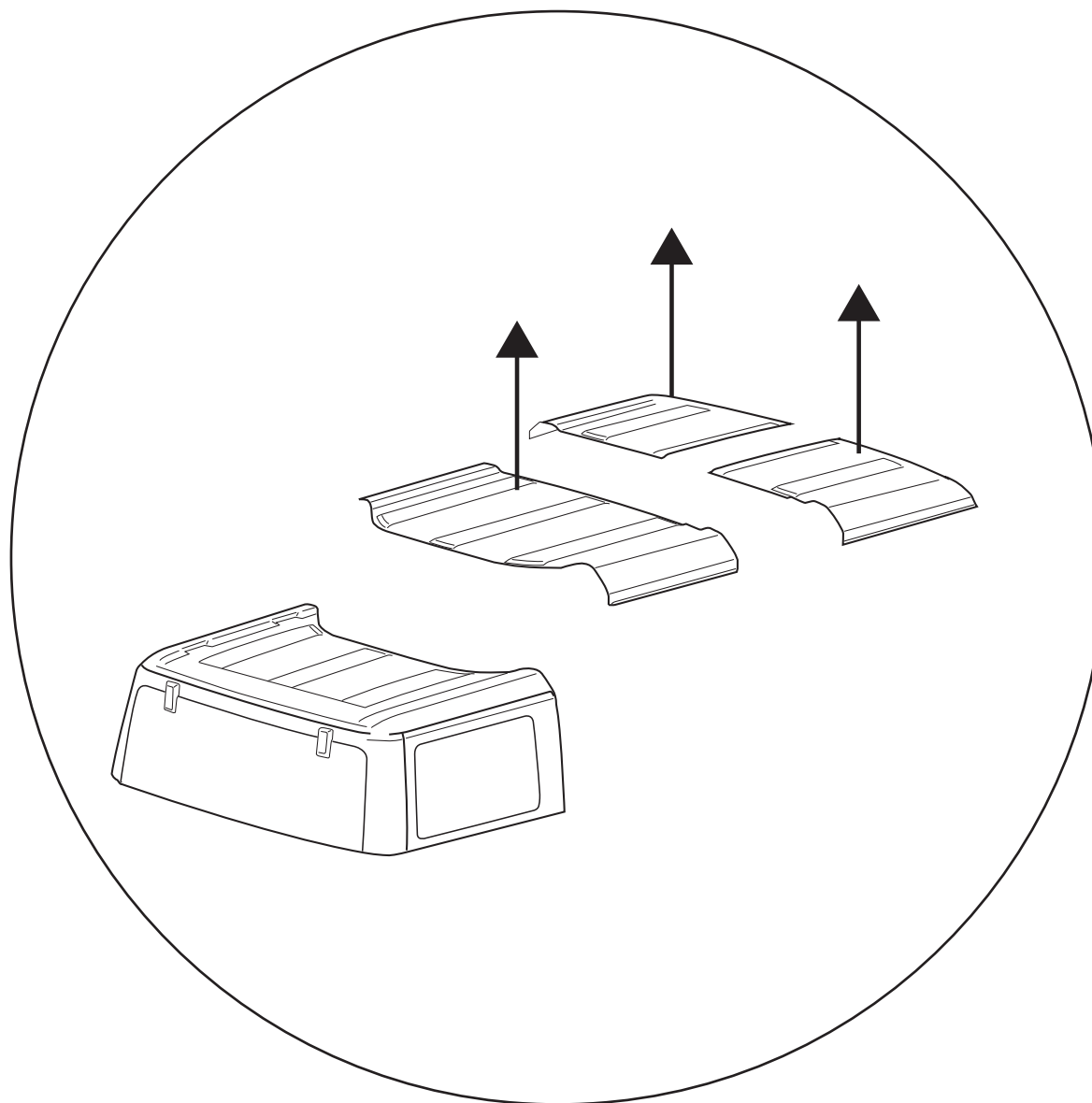


Mousse du halo arrière  
Pièce n°646.69  
Qté. 2

**Spécifications de couple**  
**Fixations de 6mm**  
5.16 ft/lbs (61 in/lbs)  
**Fixations de 8mm**  
14.75 ft/lbs (106+ in/lbs)

## Section 1 Démontage des panneaux supérieurs d'usine

Retirer les panneaux avant et central du toit rigide.  
(Voir le manuel du propriétaire pour plus de détails)



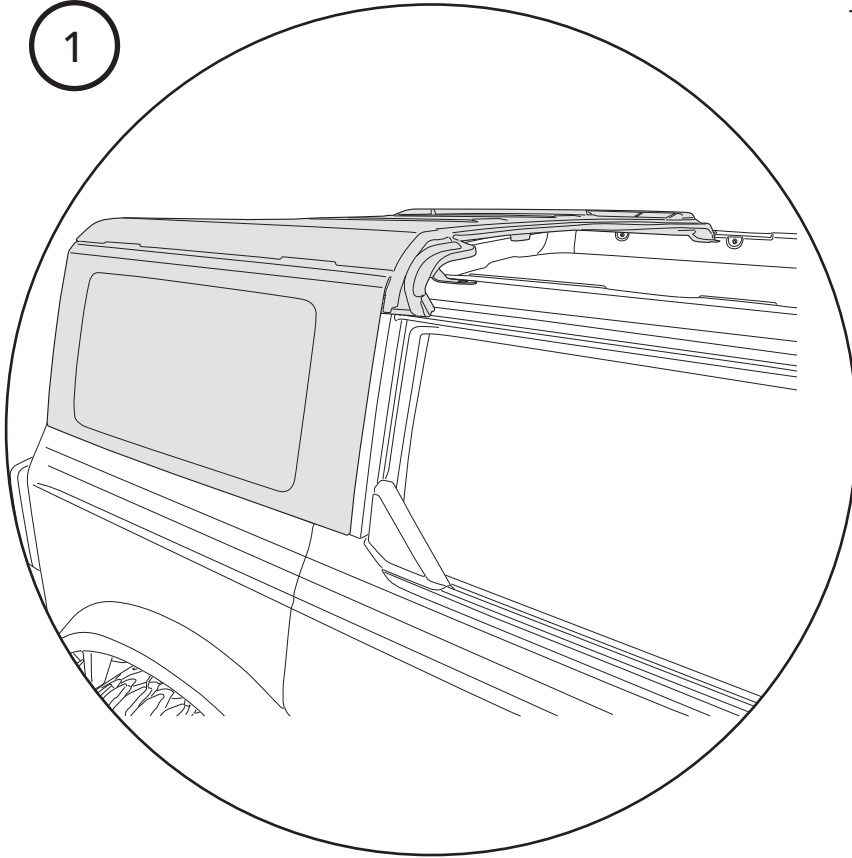
## Section 2 Déplacer la coque d'usine vers l'arrière

### Outils



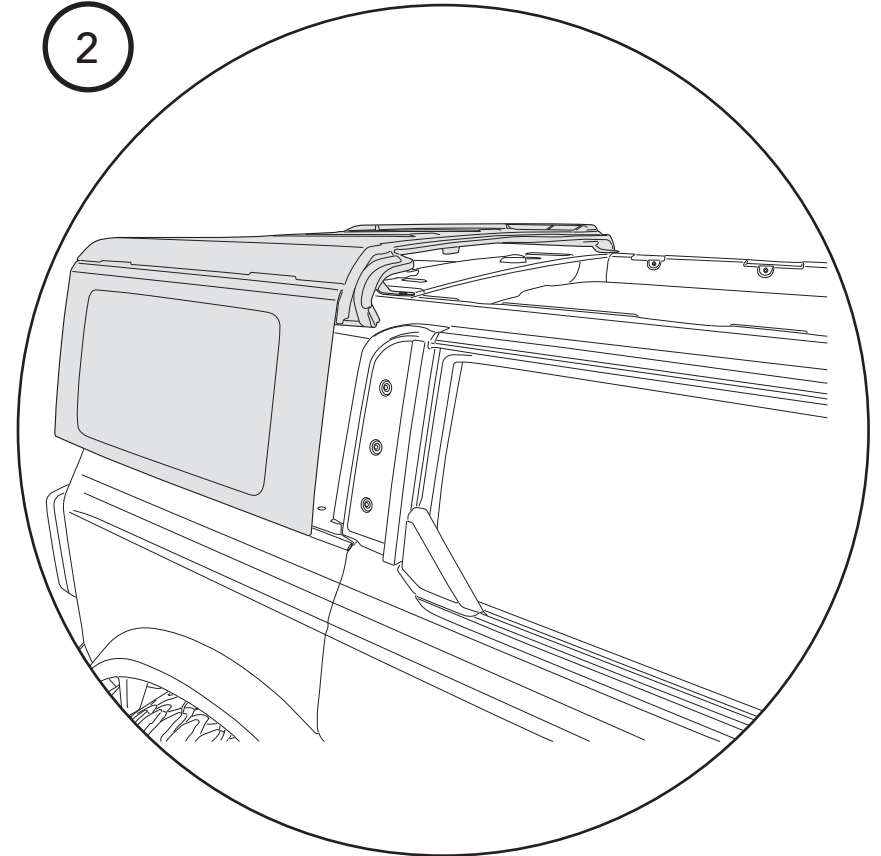
T40 et T50  
Tournevis Torx

1



Retirer les fixations du toit rigide d'origine.  
(Voir le manuel du propriétaire pour plus de détails)

2



Déplacez la coque arrière du toit rigide d'usine vers  
l'arrière de dix (10) pouces.

### Conseil

Il sera plus facile de déplacer le  
le hardtop à deux personnes.

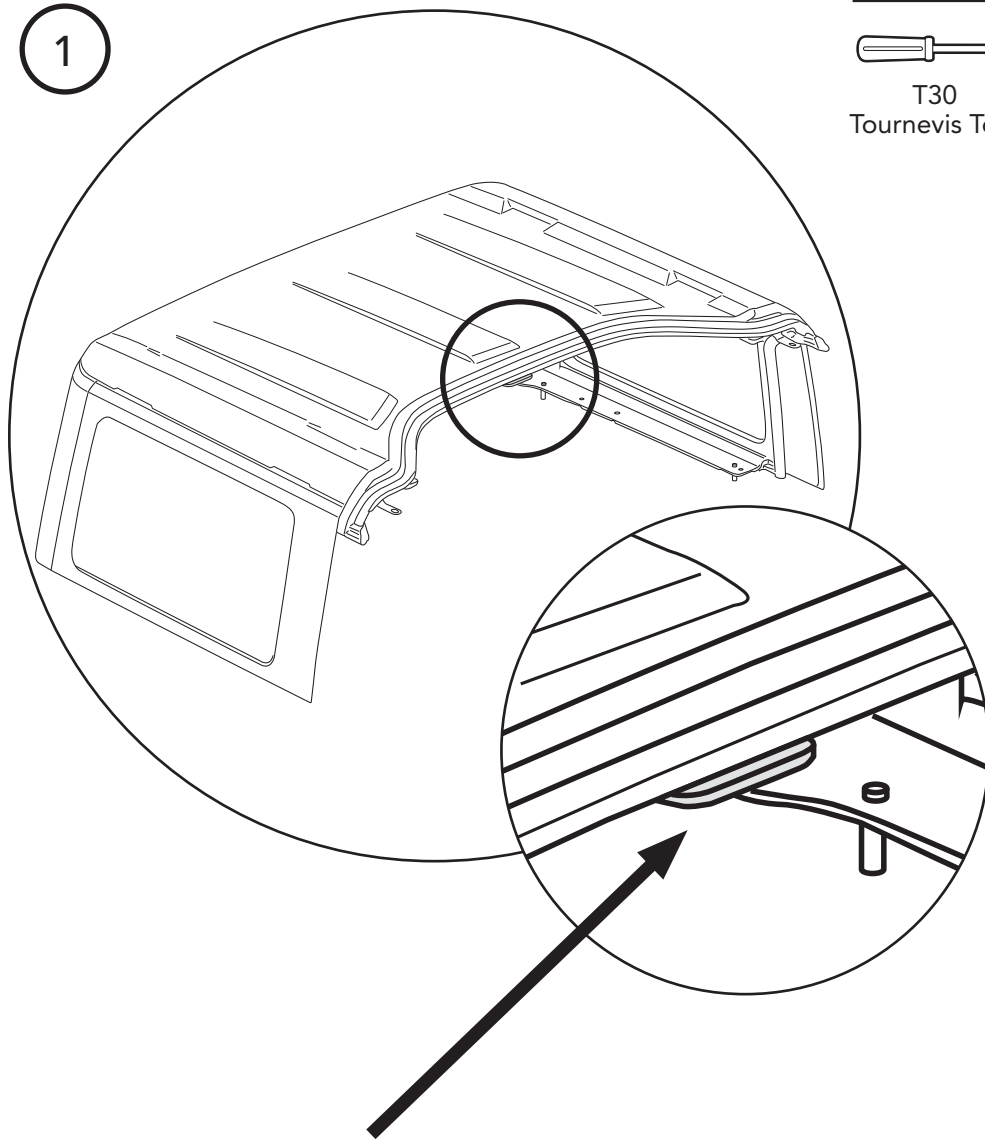
### Section 3 Installer le support de fixation Halo

Outils



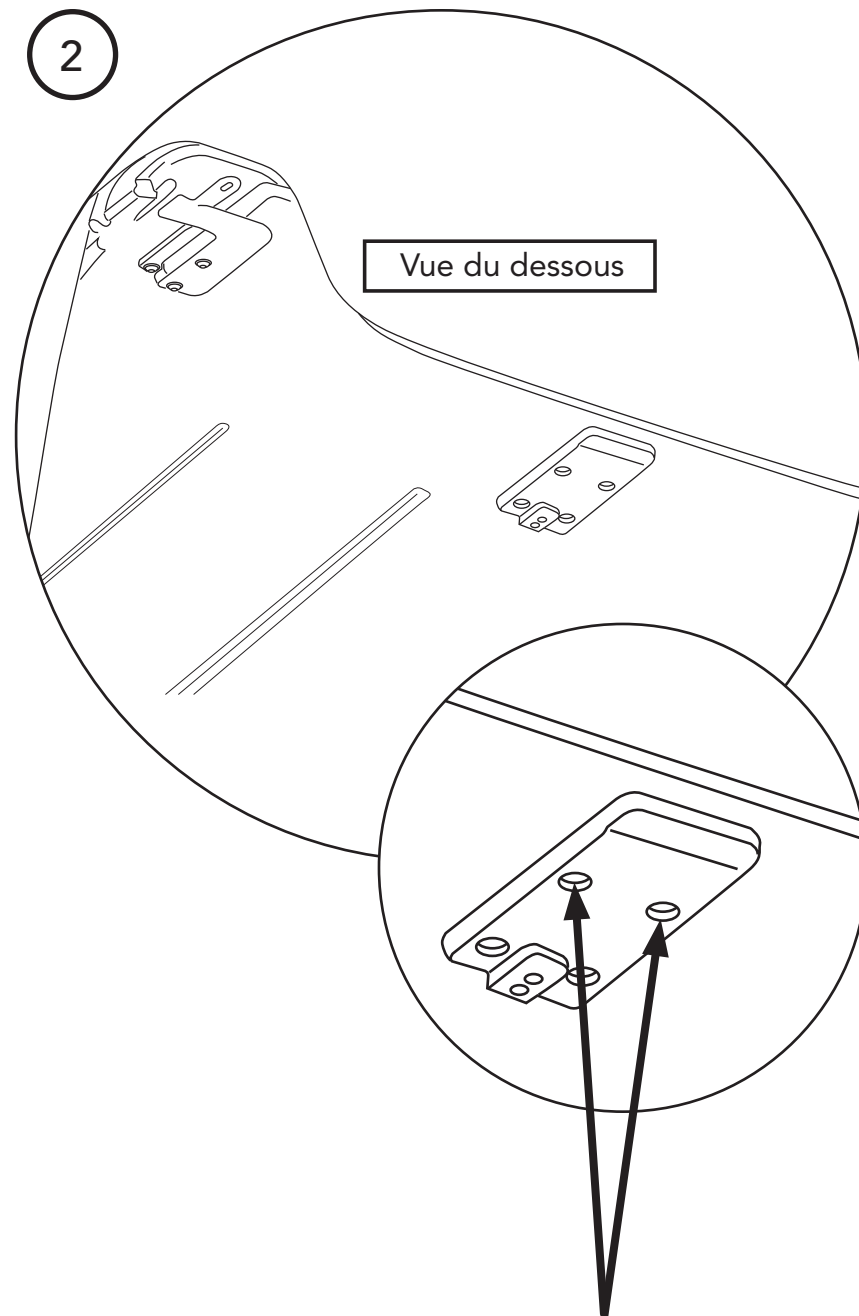
T30  
Tournevis Torx

1



Repérez le support de réception du loquet.

2



Vue du dessous

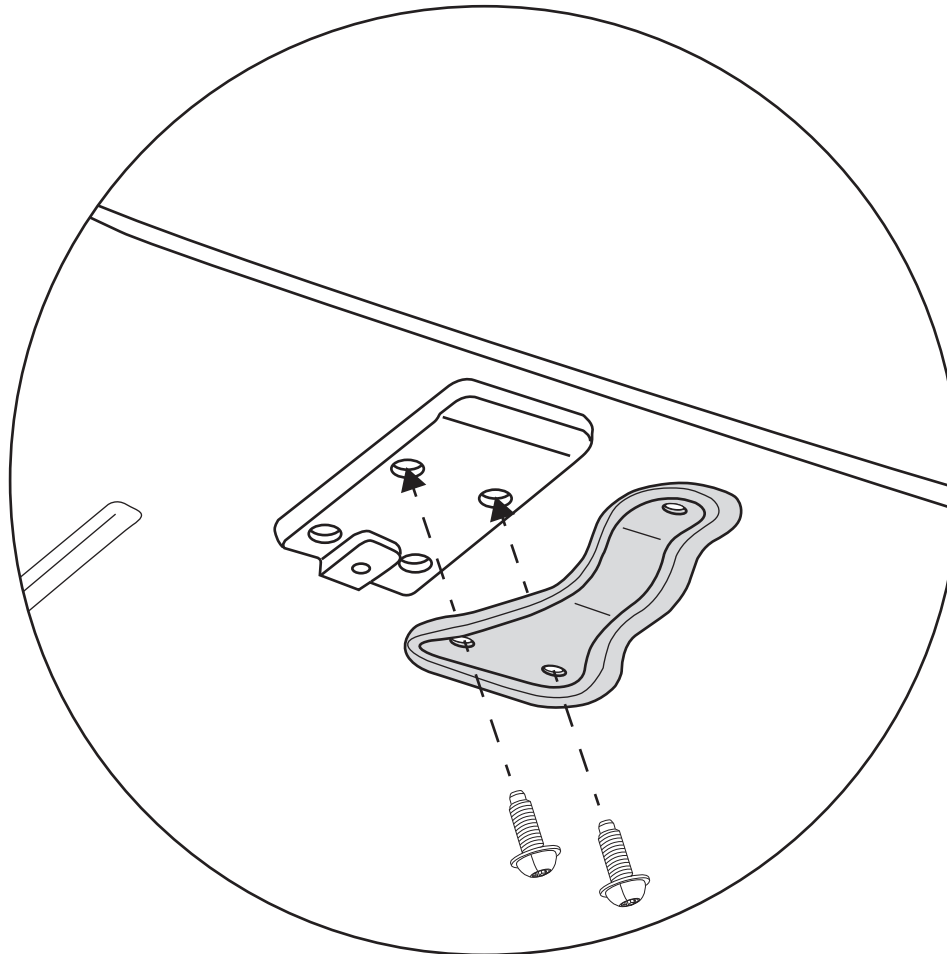
Retirer deux (2) vis

### Section 3 Installer le support de fixation Halo (suite)

#### Outils



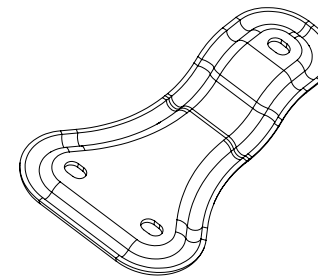
T30  
Tournevis Torx



Placez le support de fixation Halo sur le support de réception de la serrure, puis installez deux (2) vis M6 x 25 mm.

**REMARQUE:** Veillez à ce que la languette du support de fixation Halo soit au-dessus du support de réception de la serrure lorsqu'il est installé.

#### Pièces



Support de Fixation Halo-  
Pièce n°619.42  
Qté. 1



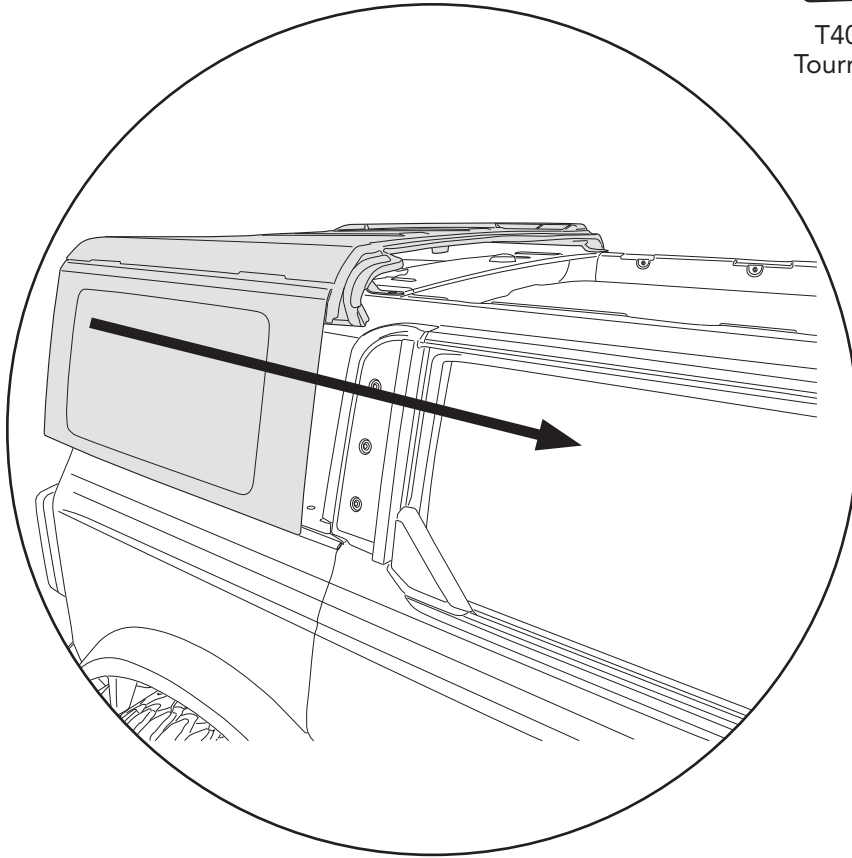
VIS, M6 X 25mm  
Pièce n°535.23  
Qté. 2  
T-30 Torx

## Section 4 Remise en place de la coque arrière d'origine

### Outils

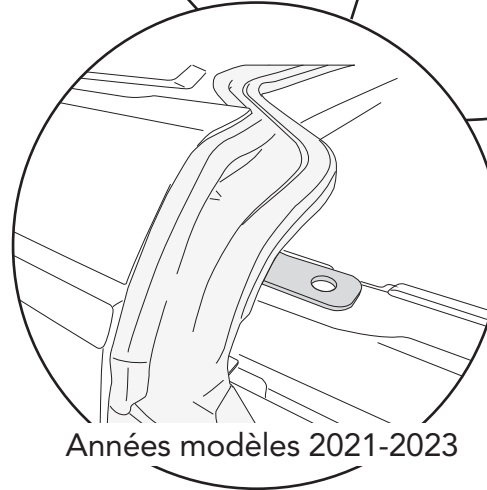
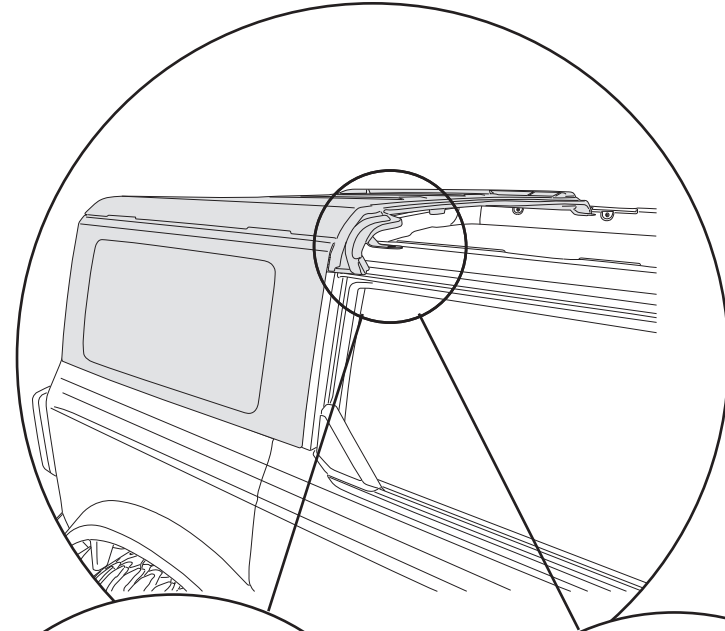


T40 et T50  
Tournevis Torx

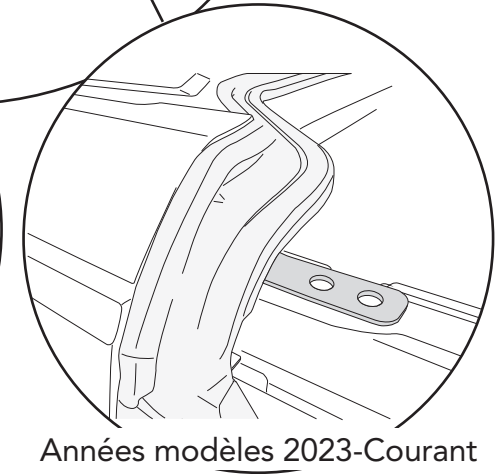


Déplacer la coque arrière du toit rigide d'usine vers l'avant jusqu'à la position de montage d'usine, puis remettez en place les fixations qui montent le hardtop sur la carrosserie du véhicule.

(Voir le manuel du propriétaire pour plus de détails)



Années modèles 2021-2023



Années modèles 2023-Courant

**REMARQUE:** Ne réinstallez pas les vis M8 qui ont été retirées de cet emplacement pour le moment. Elles seront réinstallées plus tard au cours de l'installation.

### Conseil

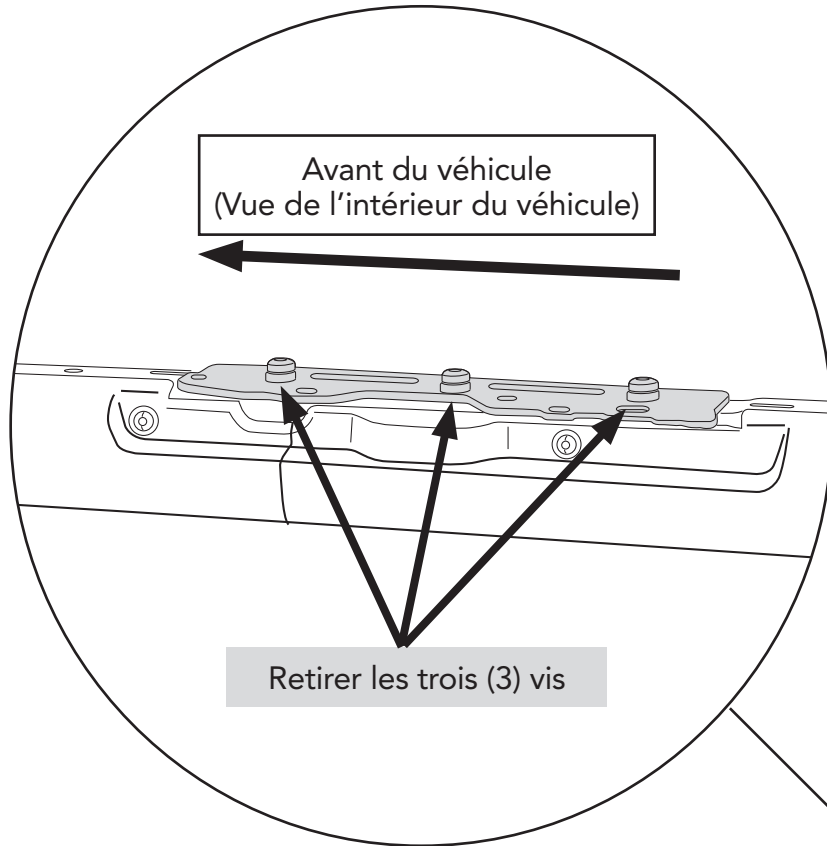
Il sera plus facile de déplacer le hardtop à deux personnes.

## Section 5 Déposer le support de maintien du panneau de toit rigide

Outils

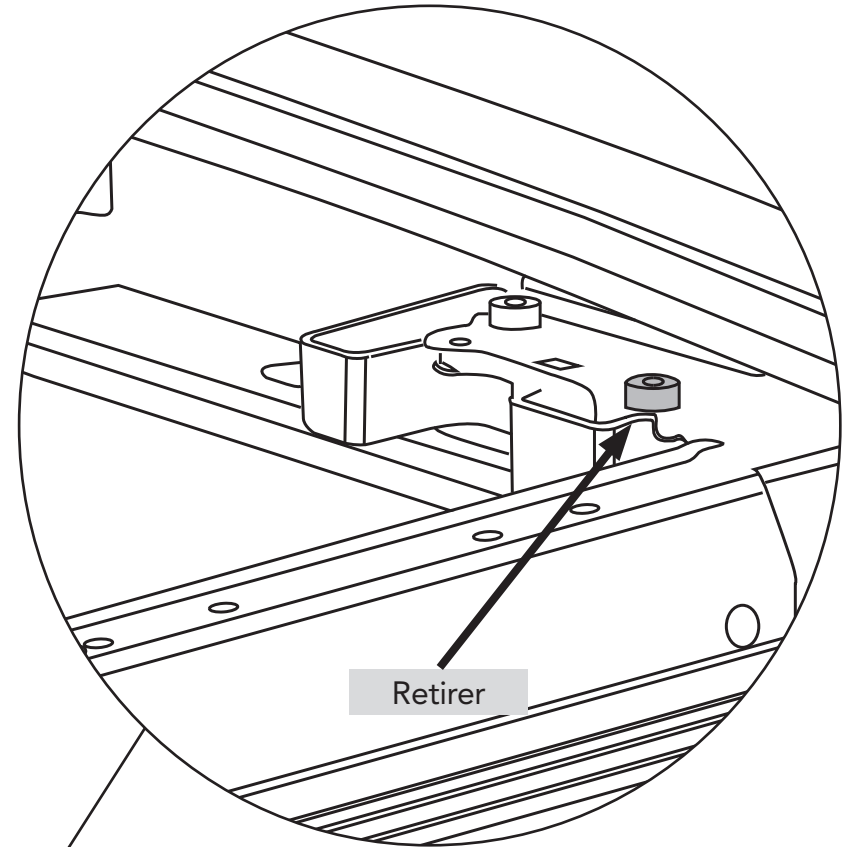


T50  
Tournevis Torx



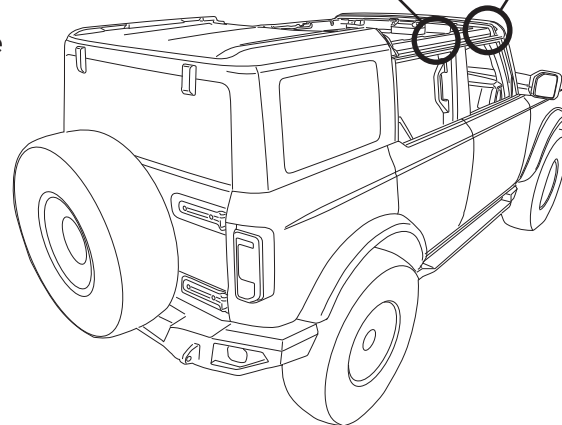
Retirer du véhicule les trois (3) vis et le support de fixation du panneau de toit rigide.

Répéter l'opération sur le côté gauche du véhicule.



Retirer la vis du véhicule.

Répéter l'opération sur le côté gauche du véhicule.



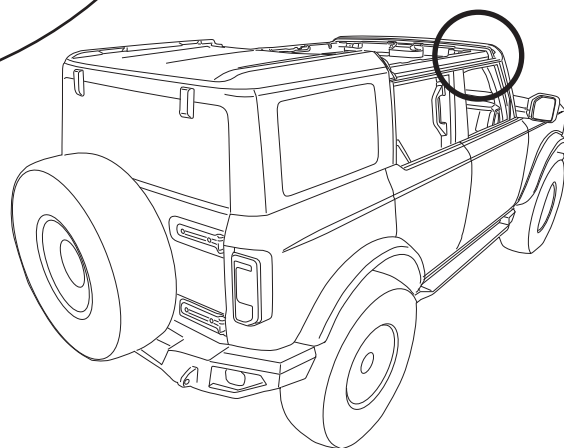
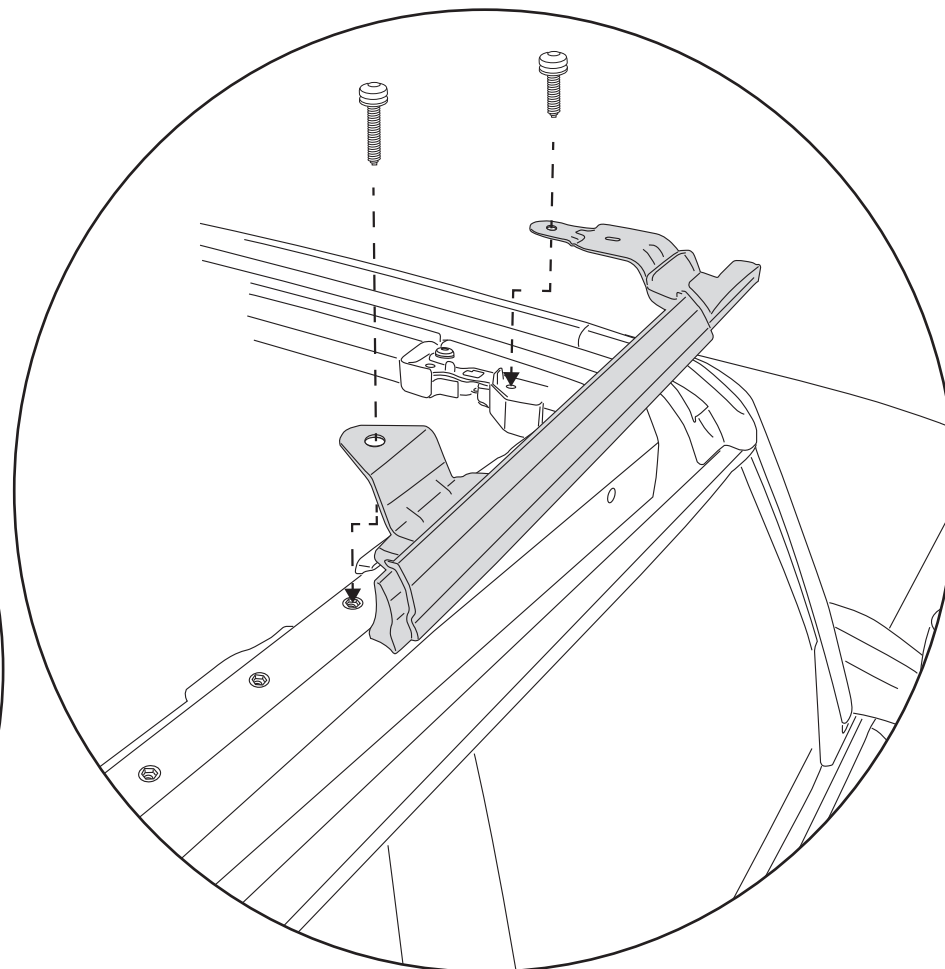
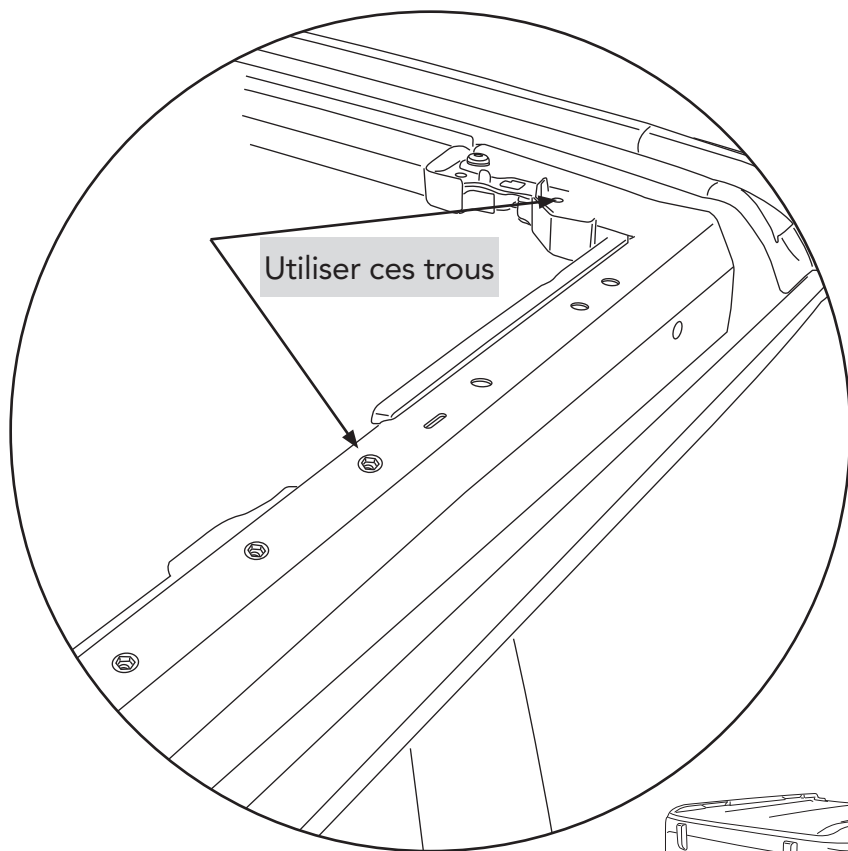
**REMARQUE:** Tenez ces vis. Elles serviront à fixer le Sunrider au véhicule.

## Section 6 Installer les rails de la porte avant

Outils



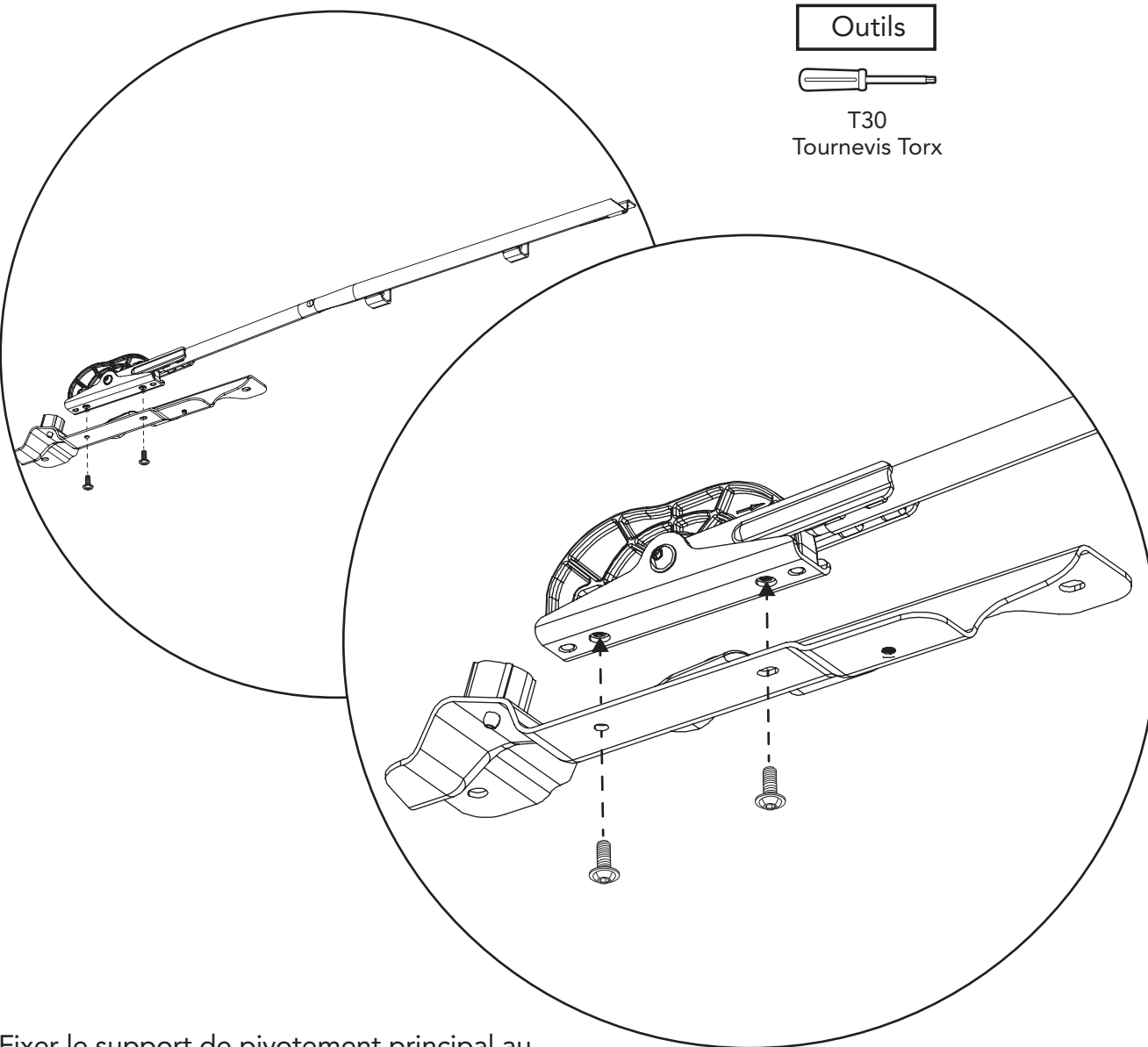
T50  
Tournevis Torx



Positionnez le rail de la porte avant sur les trous, puis replacez les vis qui viennent d'être retirées.

Répéter l'opération sur le côté gauche du véhicule.

## Section 7 Assembler les rails latéraux

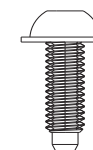


### Outils

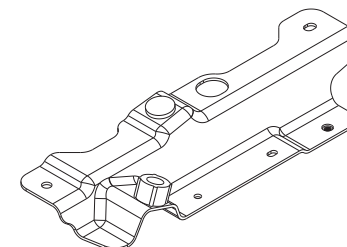


T30  
Tournevis Torx

### Pièces



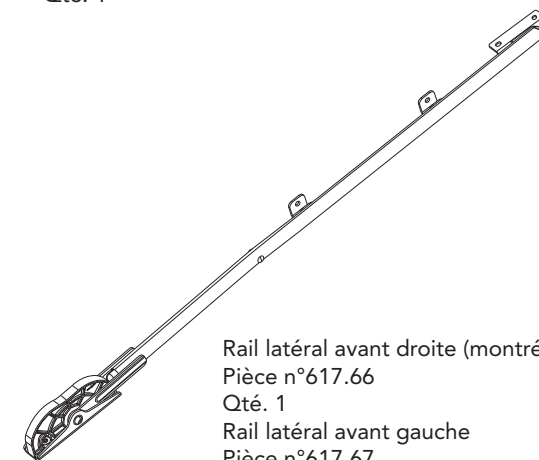
VIS, M6 X 15mm  
Pièce n°533.61  
Qté. 4  
T-30 Torx



Support de pivotement principal droit (montré)  
Pièce n°616.46  
Qté. 1  
Support de pivotement principal gauche-  
Pièce n°616.47  
Qté. 1

Fixer le support de pivotement principal au rail latéral avant (droit) à l'aide de deux (2) vis M6 x 15 mm.

Répéter l'opération sur le côté gauche du véhicule.



Rail latéral avant droite (montré)  
Pièce n°617.66  
Qté. 1  
Rail latéral avant gauche  
Pièce n°617.67  
Qté. 1

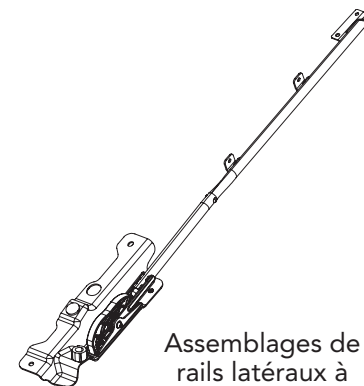
## Section 8 Installer les assemblages de rails latéraux

### Outils



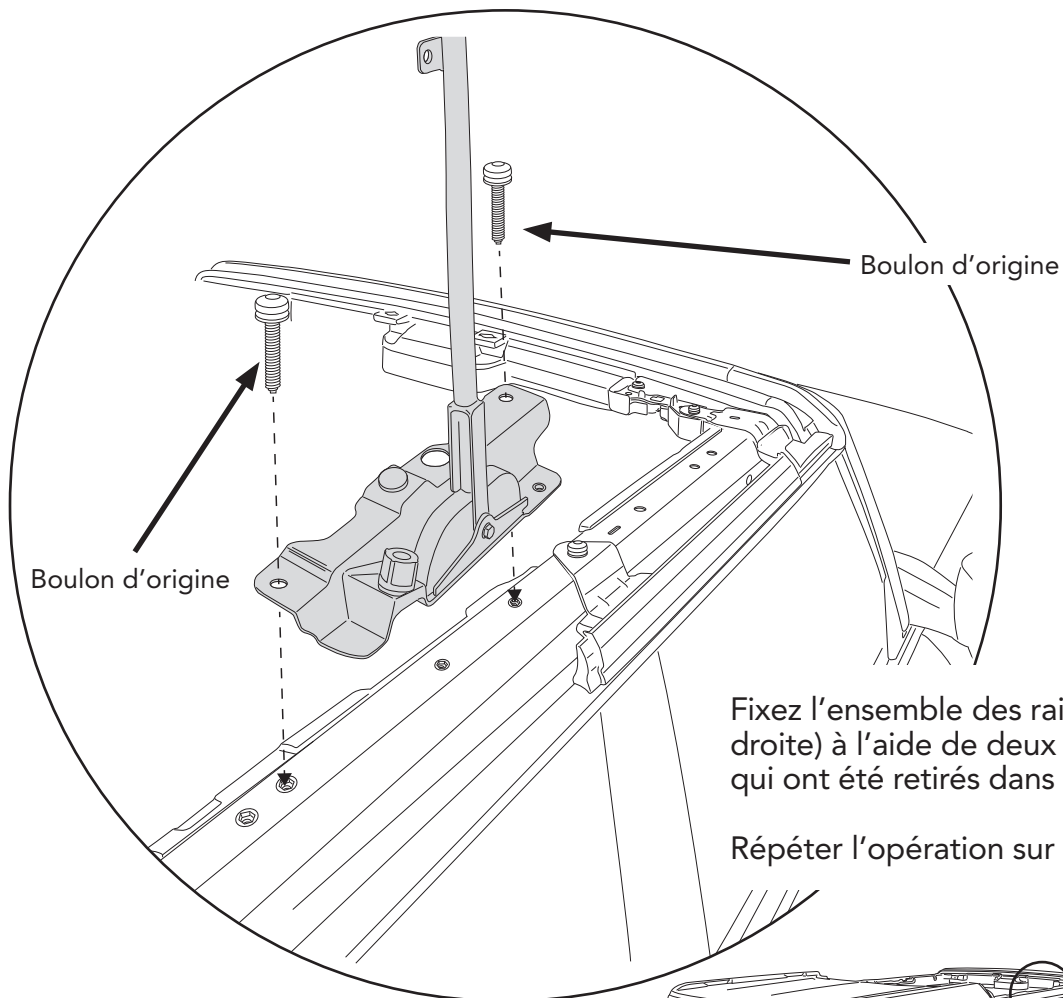
T50  
Tournevis Torx

### Pièces



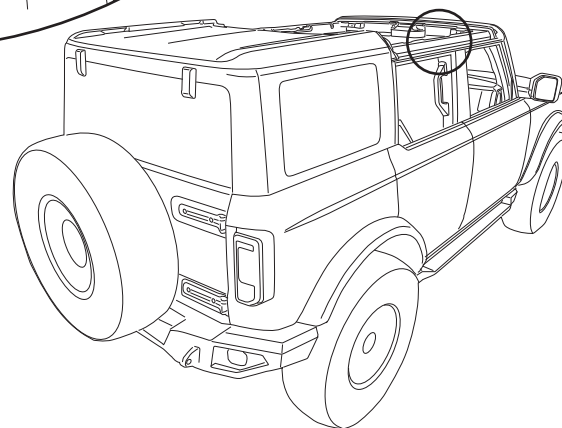
Assemblages de rails latéraux à gauche et à droite

Deux (2) des boulons (les plus longs) retirés dans la "Section 5".

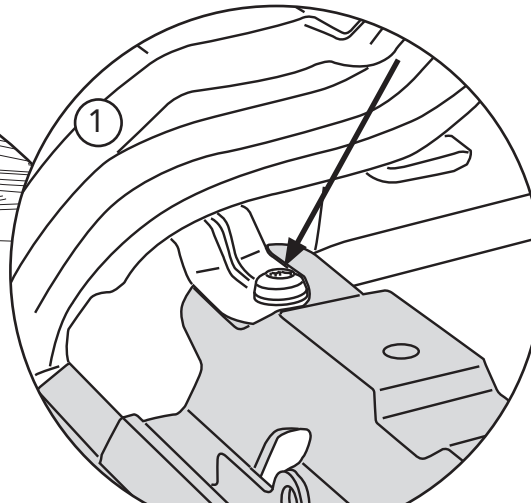
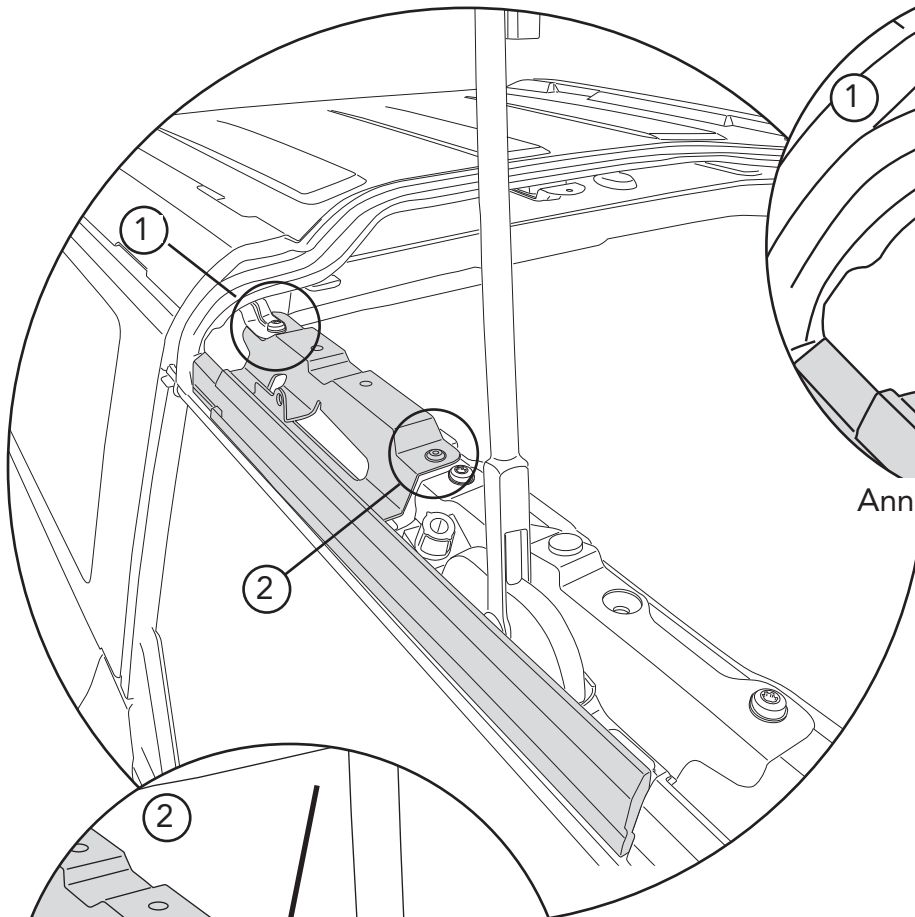


Fixez l'ensemble des rails latéraux au véhicule (à droite) à l'aide de deux (2) des boulons plus longs qui ont été retirés dans la "Section 5".

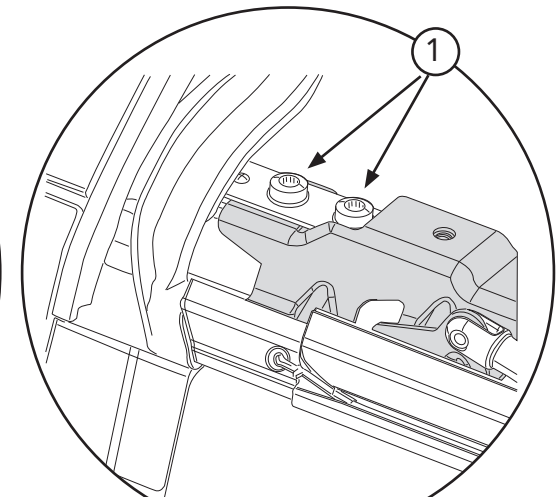
Répéter l'opération sur le côté gauche du véhicule.



## Section 9 Installation des rails de porte arrière



Années modèles 2021-2023



Années modèles 2023-Courant

- 1 Placer le rail de la porte arrière SOUS LA LANGUETTE du toit rigide, puis remettre en place le boulon qui a été retiré à la section 2.
- 2 Utilisez une (1) vis M8 x 20 mm pour fixer le centre du rail de porte arrière au véhicule.

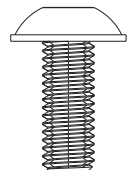
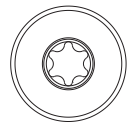
Répéter l'opération sur le côté gauche du véhicule.

### Outils

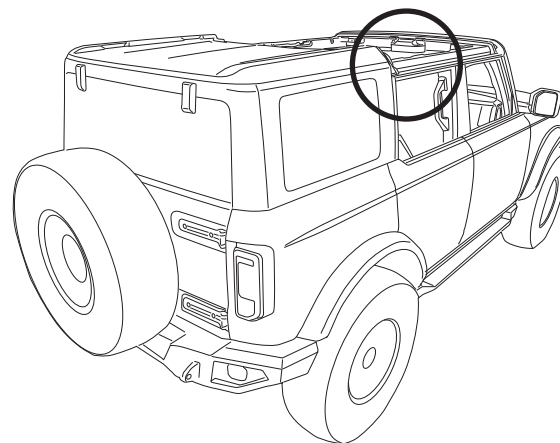


T40 et T50  
Tournevis Torx

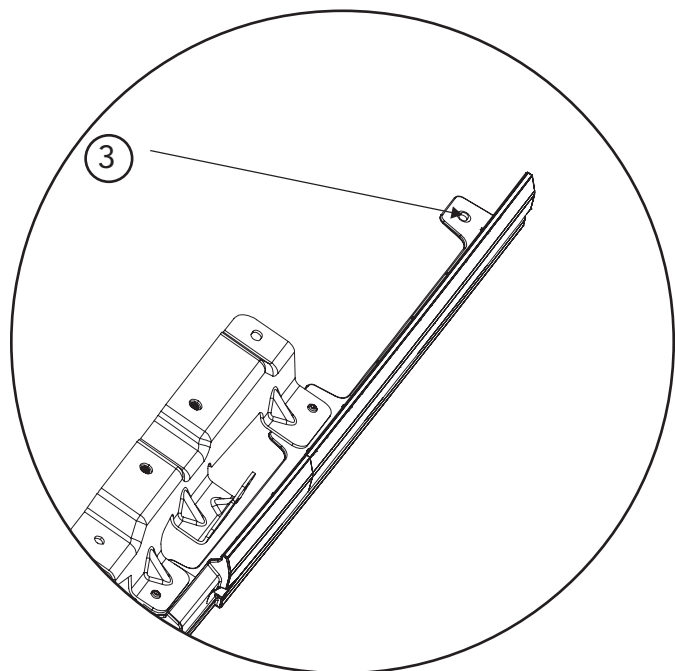
### Pièces



VIS, M8 X 20mm  
Pièce n°573.09  
Qté. 2  
T-40 Torx



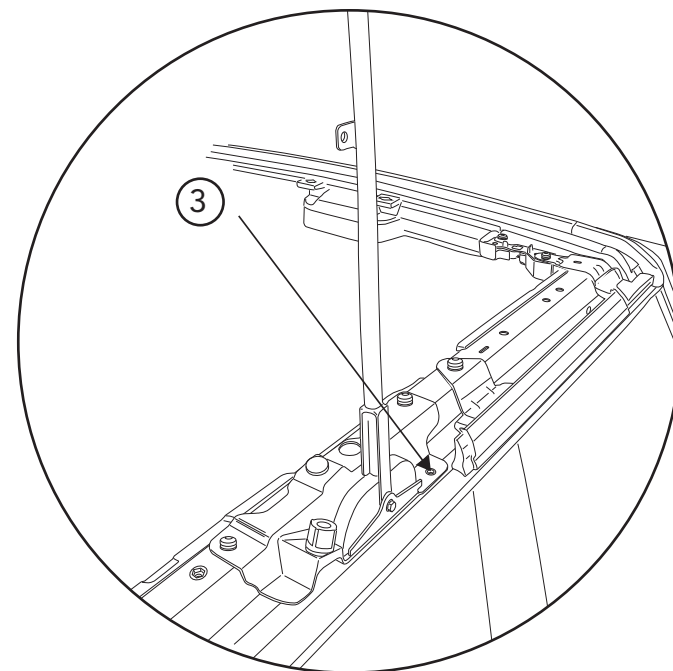
## Section 9 Installation des rails de porte arrière (suite)



### Outils

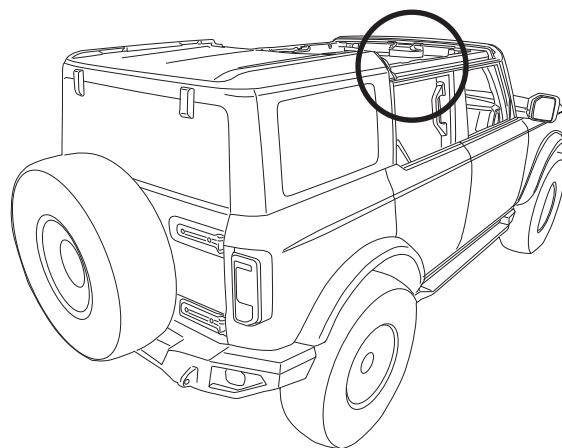


T30  
Tournevis Torx

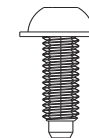


- ③ Utilisez une (1) vis M6 x 15 mm pour fixer l'avant du rail de la porte arrière au support de pivotement principal.

Répéter l'opération sur le côté gauche du véhicule.



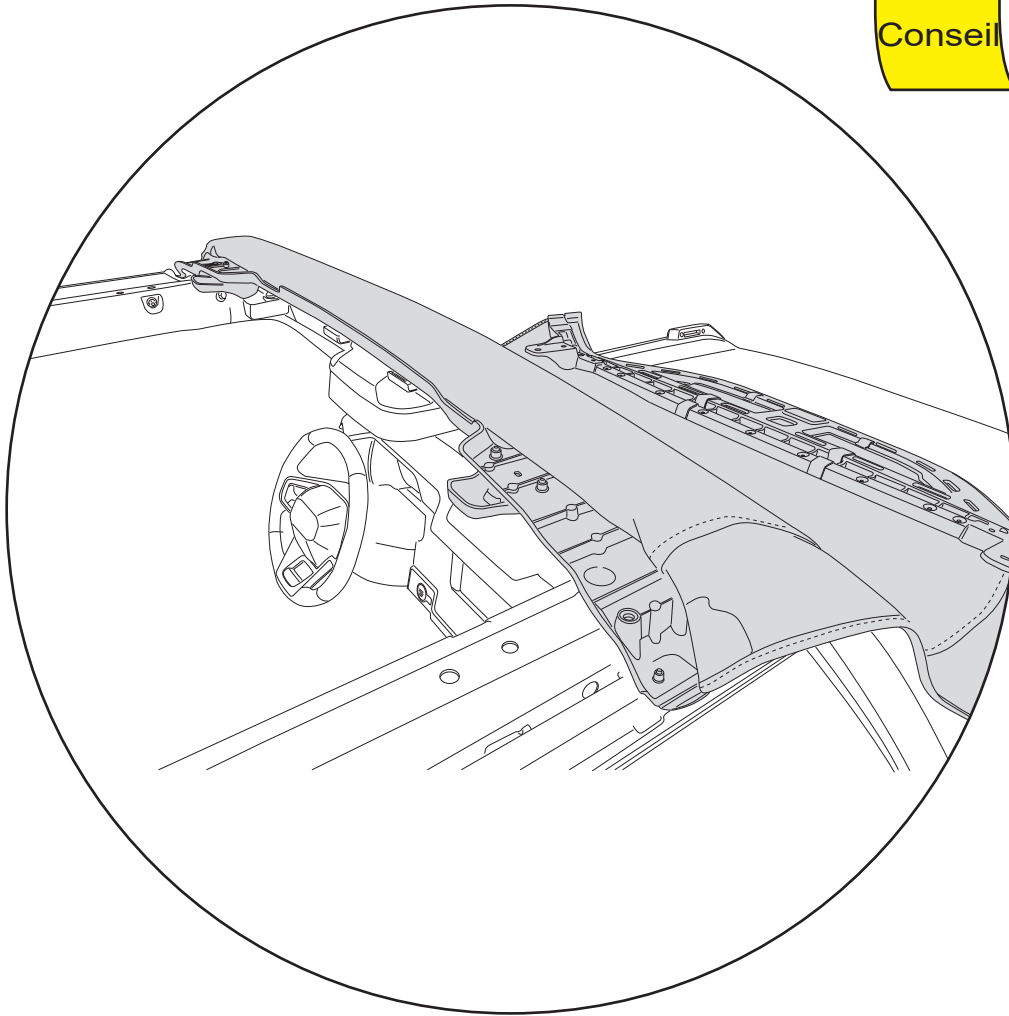
### Pièces



VIS, M6 X 15mm  
Pièce n°533.61  
Qté. 2  
T-30 Torx

## Section 10 Placer l'ensemble supérieur sur le véhicule

### Conseil



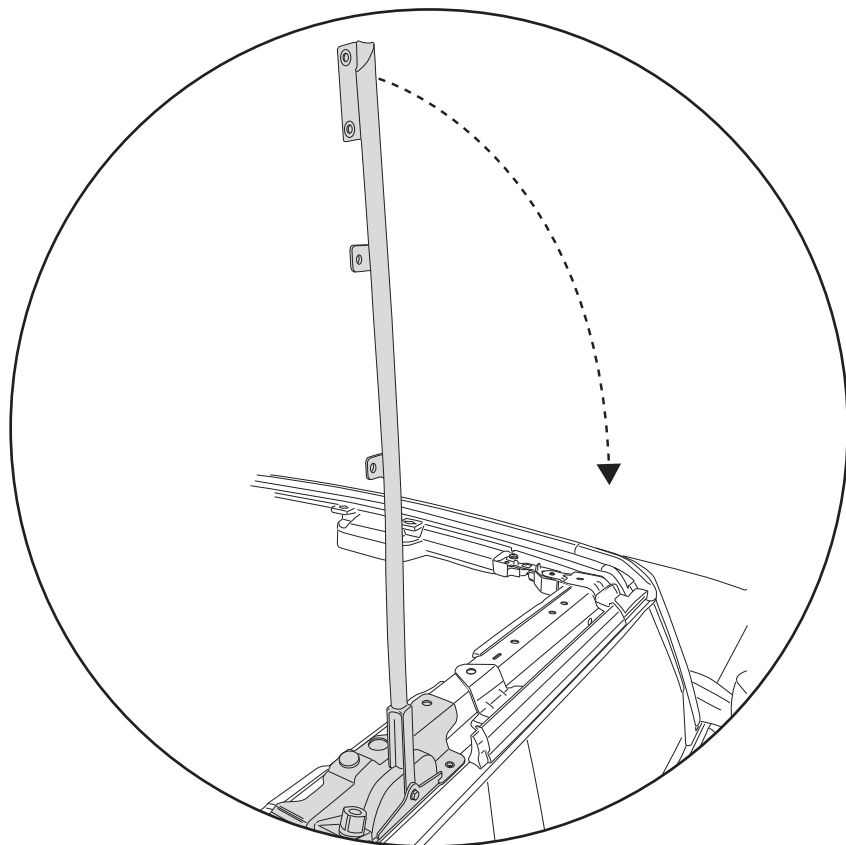
En plaçant une couverture souple sur le capot du véhicule et en retirant l'antenne radio, vous protégerez le véhicule des rayures et faciliterez l'installation de la capote sur le cadre du pare-brise.

Il sera plus facile de déplacer le hardtop à deux personnes.

Retirer l'antenne pour faciliter l'accès au côté droit du véhicule.

Placez l'ensemble supérieur sur le cadre du pare-brise. Tout en maintenant le linteau avant sur le cadre du pare-brise, draper le tissu et le linteau arrière sur le pare-brise et le laisser reposer sur le capot du véhicule.

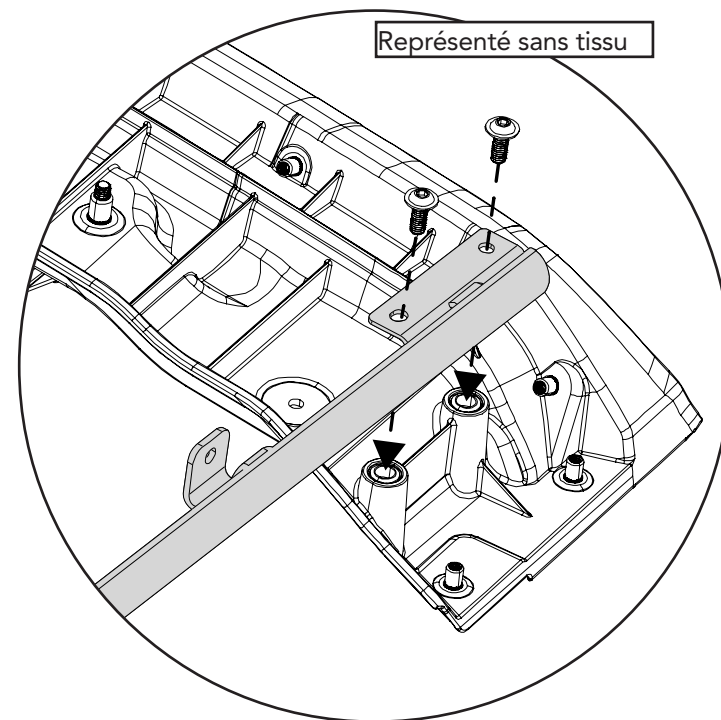
## Section 11 Fixer les arcs latéraux à l'en-tête (assemblage supérieur)



### Outils

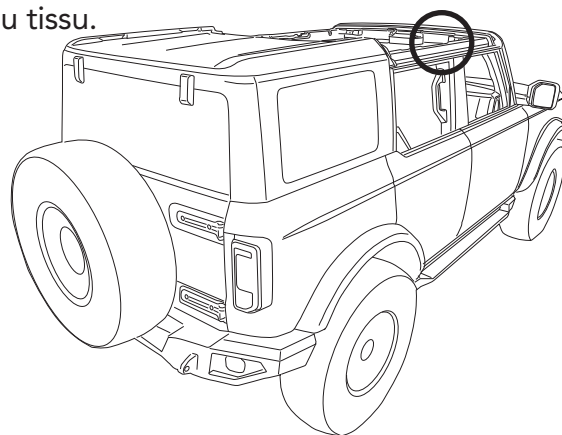


T30  
Tournevis Torx

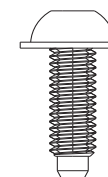


Fixez l'arceau latéral à l'arceau n°1 (partie qui s'accroche au pare-brise)  
à l'aide de deux (2) vis M6 x 15 mm.

Répéter sur l'autre côté de l'assemblage du tissu.

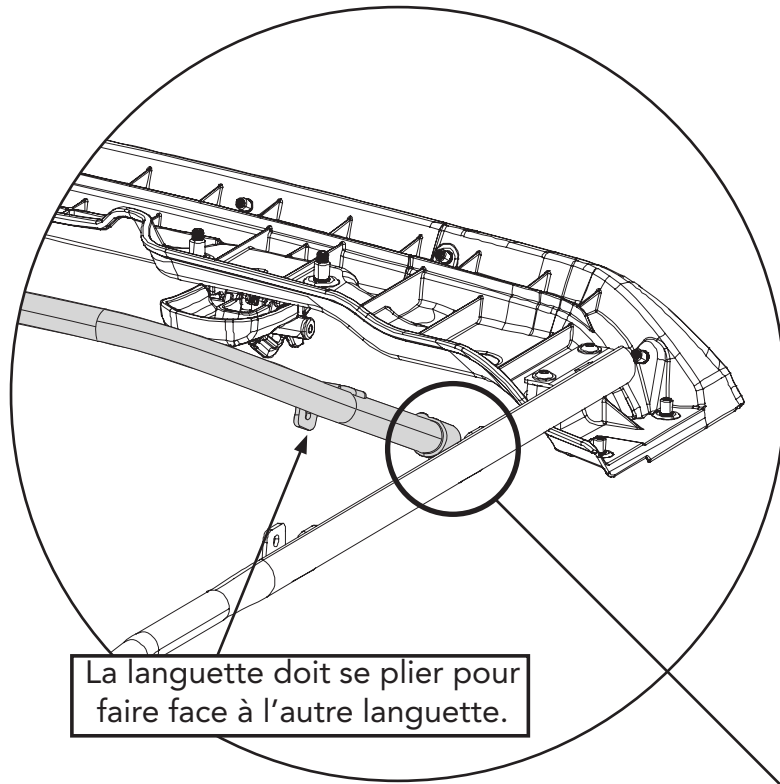


### Pièces

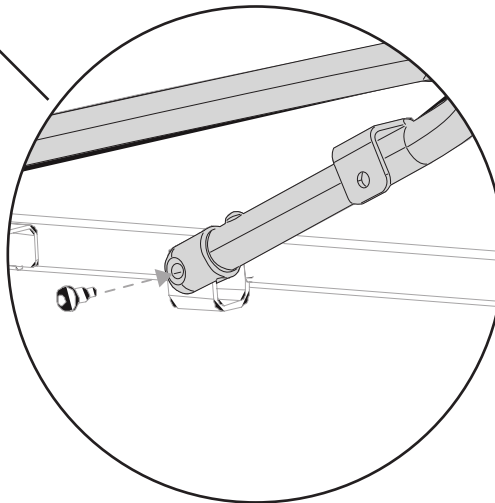


VIS, M6 X 15mm  
Pièce n°533.61  
Qté. 4  
T-30 Torx

## Section 12 Installer 1.5 Bow



La languette doit se plier pour faire face à l'autre languette.



Fixez l'arc de 1,5 aux rails latéraux avant à l'aide de deux (2) vis à tête pivotante.

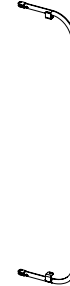
Répétez cette étape sur le côté gauche de l'assemblage.

### Outils



T30  
Tournevis Torx

### Pièces

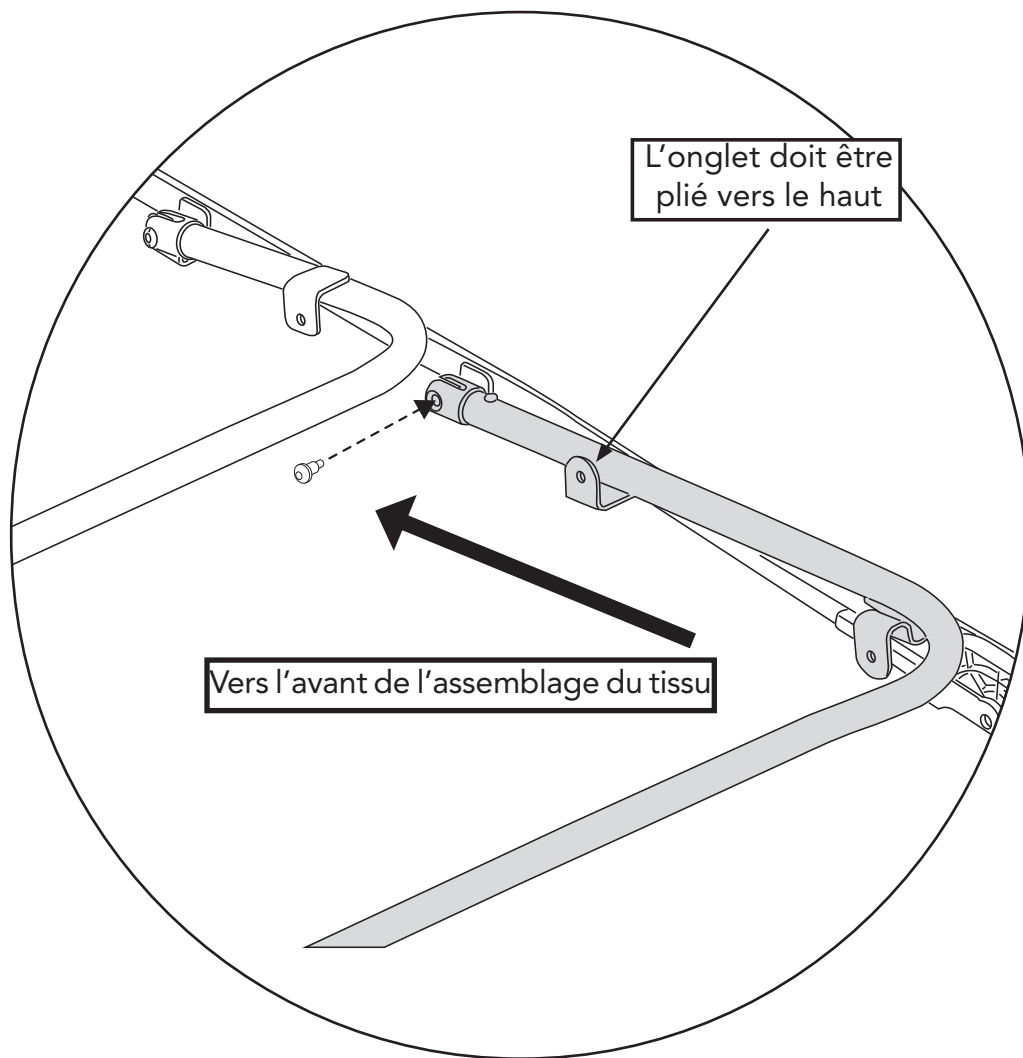


1.5 Ensemble de l'arc  
Pièce n°602.46  
Qté. 1



Vis, Articulation de Pivot  
Pièce n°308.65  
Qty. 2  
T-30 Torx

## Section 13 Installer 2 Bow



Fixez les deux arcs aux rails latéraux avant à l'aide de deux (2) vis à tête pivotante.

Répéter cette étape sur le côté gauche de l'assemblage.

### Outils



T30  
Tournevis Torx

### Pièces

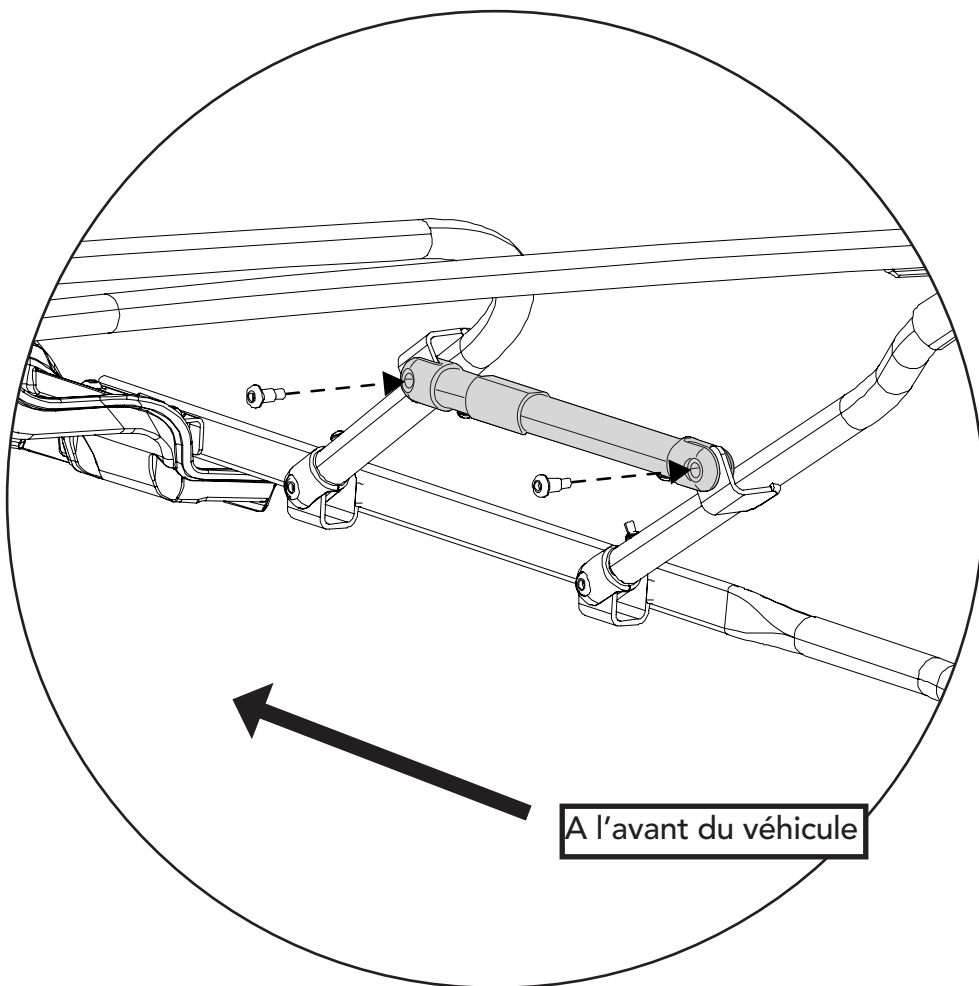


2 Ensemble de l'arc  
Pièce n°617.40  
Qté. 1



Vis, Articulation de Pivot  
Pièce n°308.65  
Qty. 2  
T-30 Torx

## Section 14 Installer le lien de contrôle d'étrave 1.5



Fixez la tringlerie de contrôle de l'arc 1,5 à l'arc 1,5 et à l'arc 2 à l'aide de deux (2) vis de l'articulation de pivotement.

Répéter cette étape sur le côté gauche de l'assemblage.

### Outils



T30  
Tournevis Torx

### Pièces



Liaison de contrôle  
Pièce n°602.75  
Qté. 2



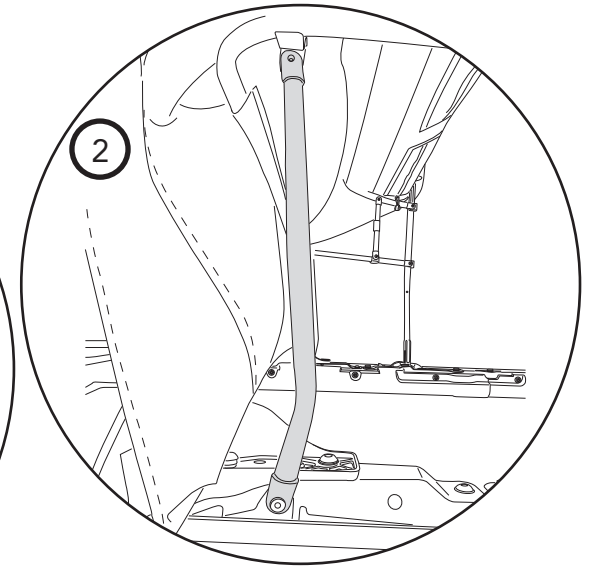
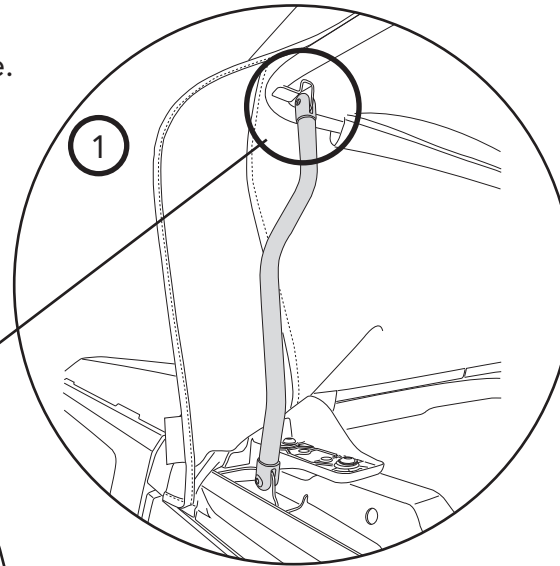
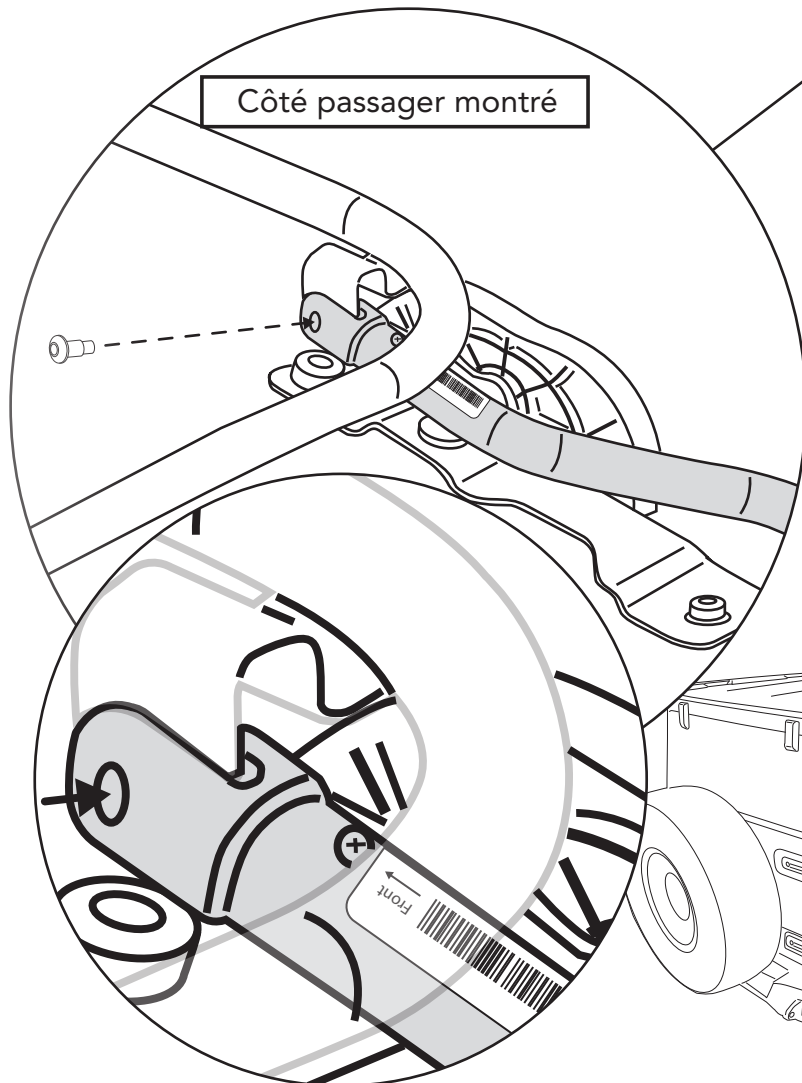
Vis, Articulation de Pivot  
Pièce n°308.65  
Qty. 2  
T-30 Torx

## Section 15 Installer le lien de contrôle


Fixez la tringlerie de commande à l'arc n°2 (l'onglet est orienté vers le bas) à l'aide d'une (1) des vis de l'articulation pivotante.

Répéter cette étape sur le côté gauche de l'assemblage.

- 1 La tringlerie se plie vers l'intérieur - Onglet sur l'arc n° 2.
- 2 La tringlerie se plie vers le haut - Languette sur le rail de la porte arrière



**Outils**

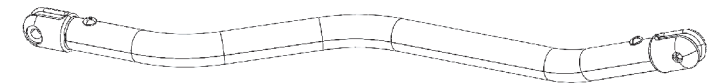


T30  
Tournevis Torx

**Pièces**



Vis, Articulation de Pivot  
Pièce n°308.65  
Qty. 2  
T-30 Torx



Liaison de contrôle (droite)  
Pièce n°620.86  
Qté. 1

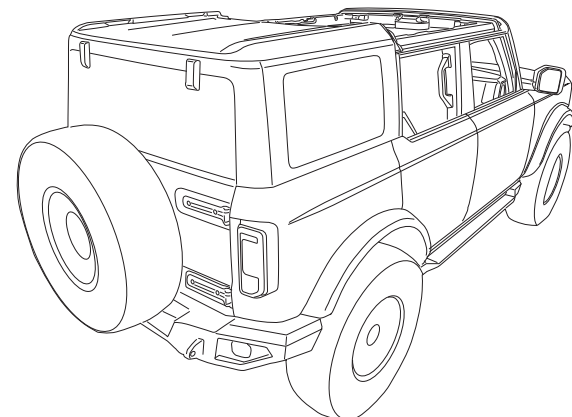
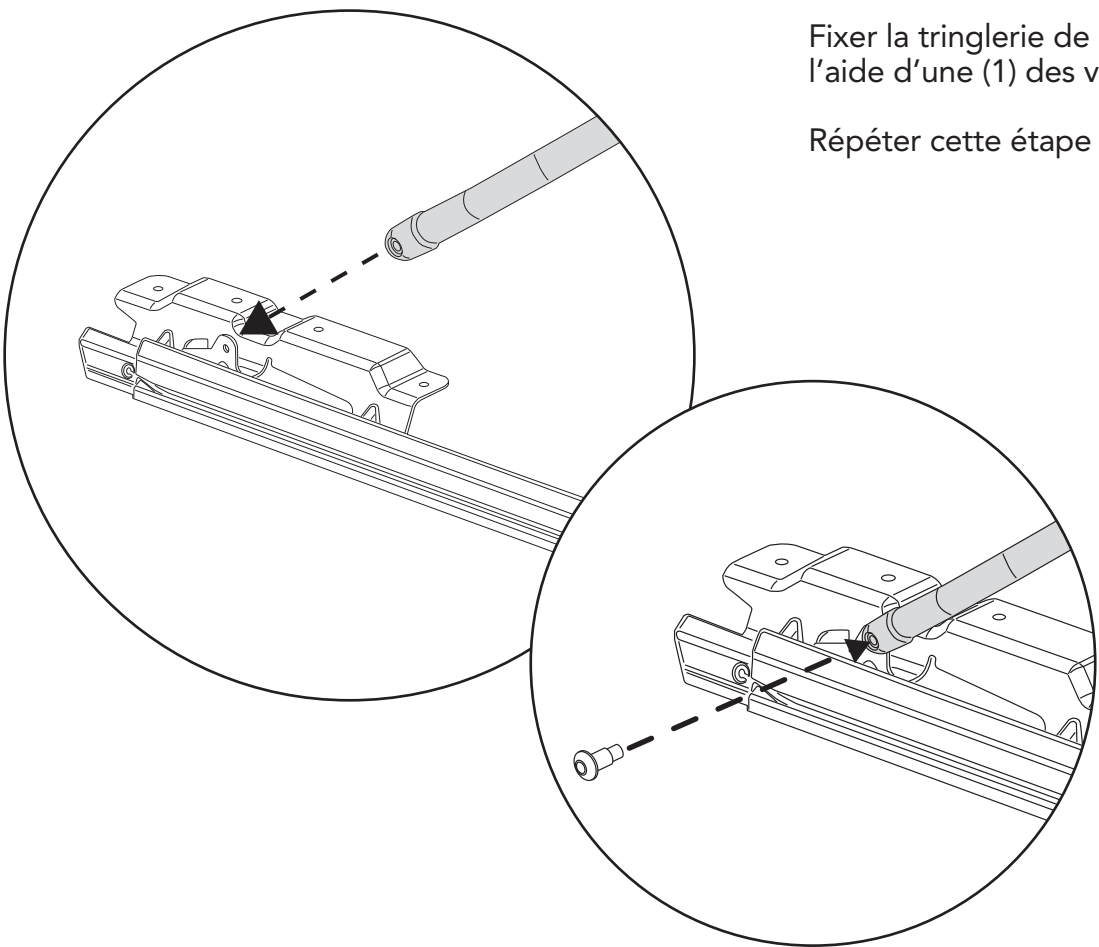


Liaison de contrôle (gauche)  
Pièce n°620.87  
Qté. 1

## Section 15 Installer le lien de contrôle (suite)

Fixer la tringlerie de commande au rail de la porte arrière à l'aide d'une (1) des vis de l'articulation.

Répéter cette étape sur le côté gauche de l'assemblage.

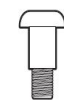


### Outils



T30  
Tournevis Torx

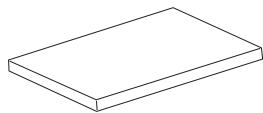
### Pièces



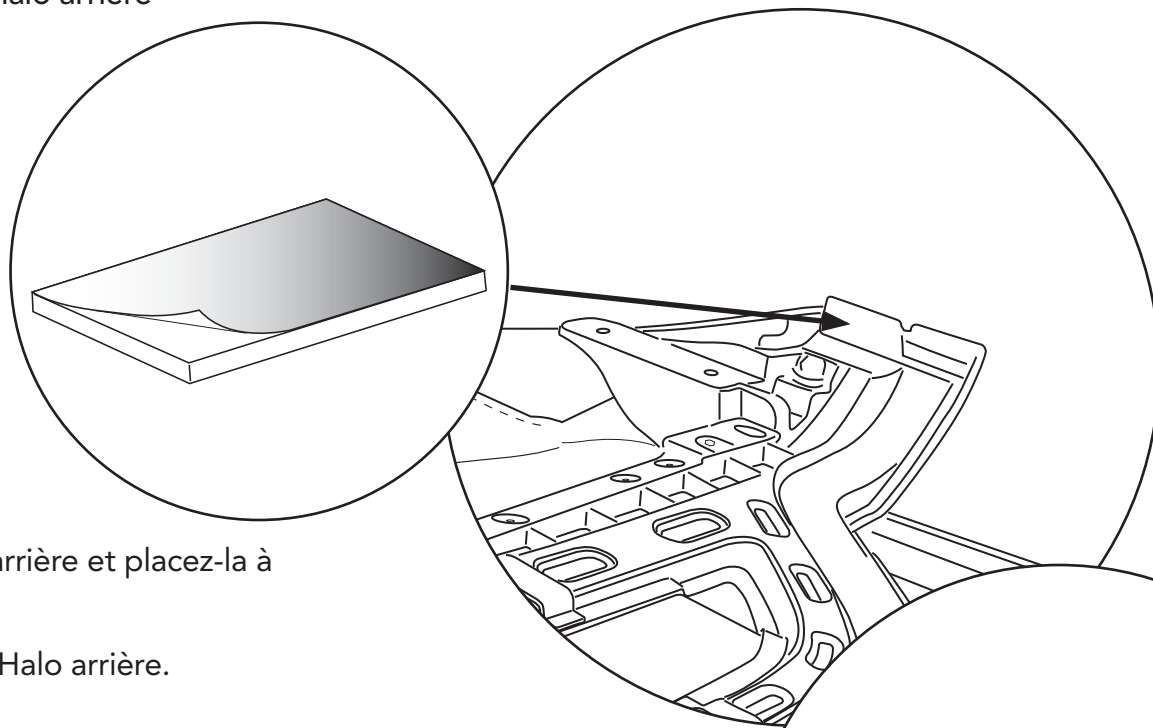
Vis, Articulation de Pivot  
Pièce n° 308.65  
Qty. 2  
T-30 Torx

## Section 16 Installer la mousse du halo arrière

### Pièces

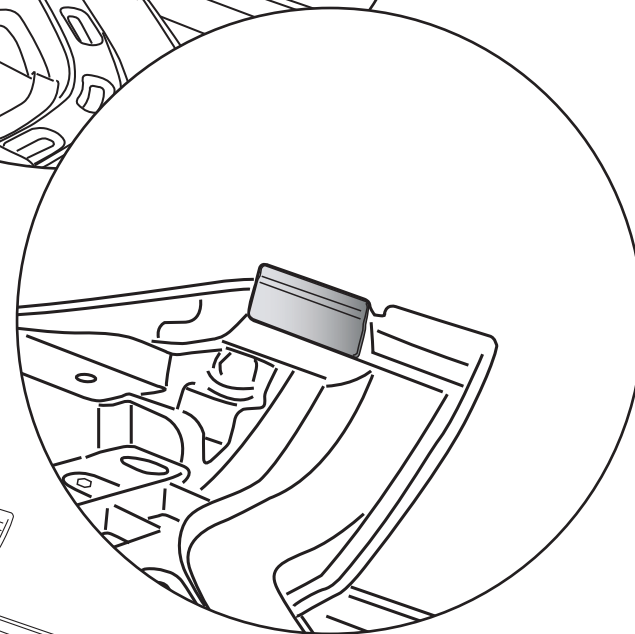
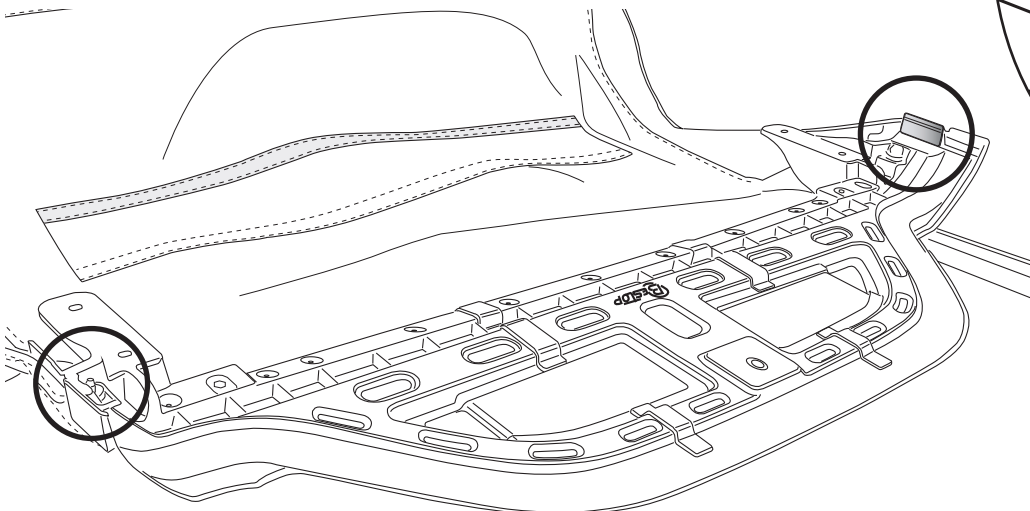


Mousse du halo arrière  
Pièce n°646.69  
Qté. 2

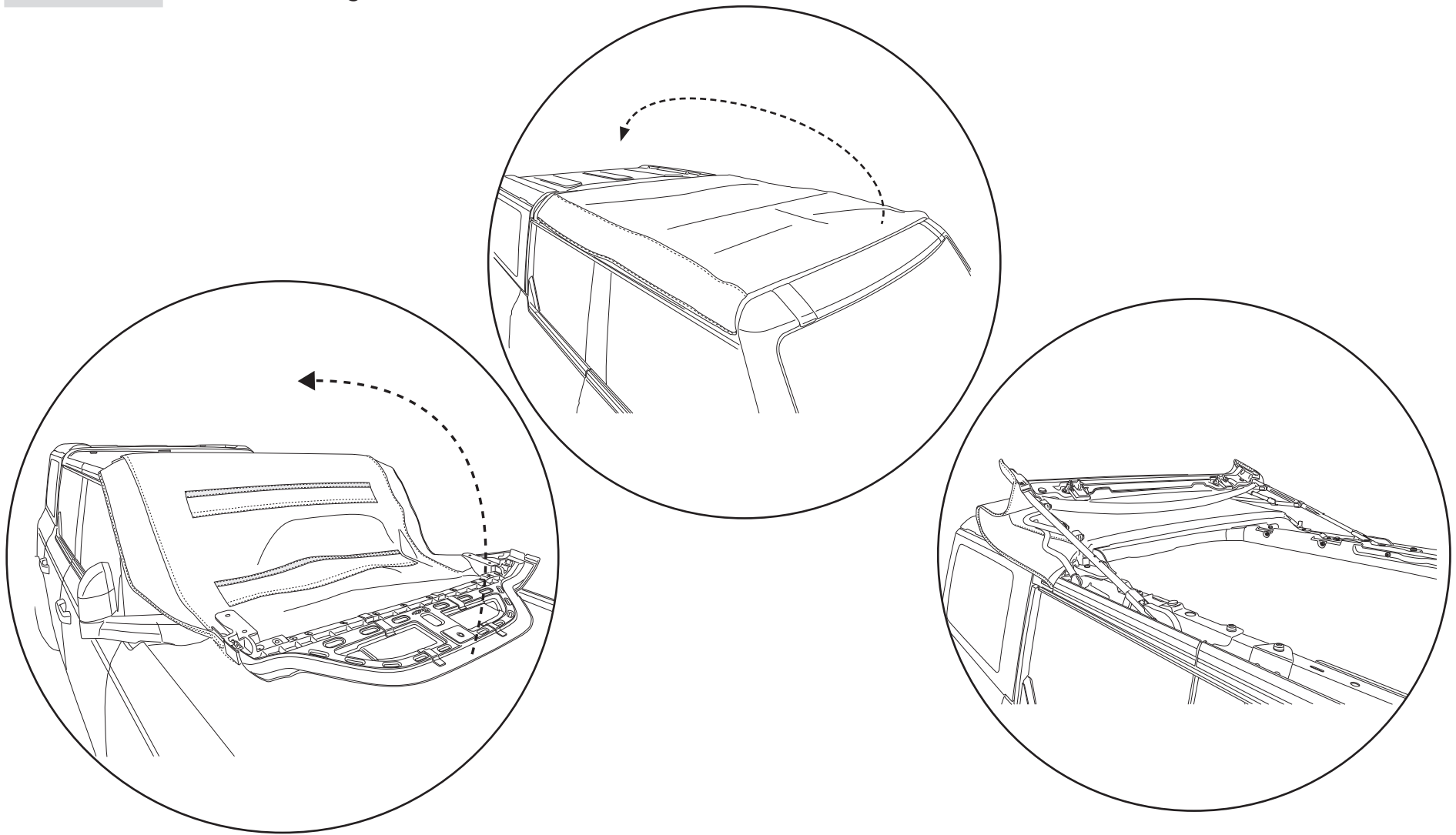


Découpez le dos de la mousse du Halo arrière et placez-la à l'intérieur du Halo arrière.

Répétez l'opération de l'autre côté du Halo arrière.



## Section 17 Tirer l'assemblage du tissu vers l'arrière



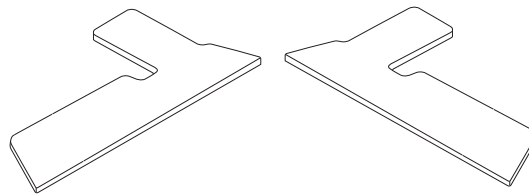
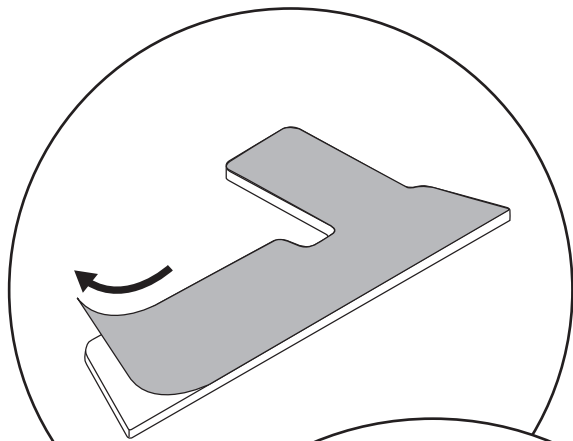
Tirez l'ensemble du tissu vers l'arrière et placez la tête arrière sur le toit rigide, puis soulevez la tête avant pour que les arcs latéraux soient en position verticale.

Conseil

Il sera plus facile de déplacer le le hardtop à deux personnes.

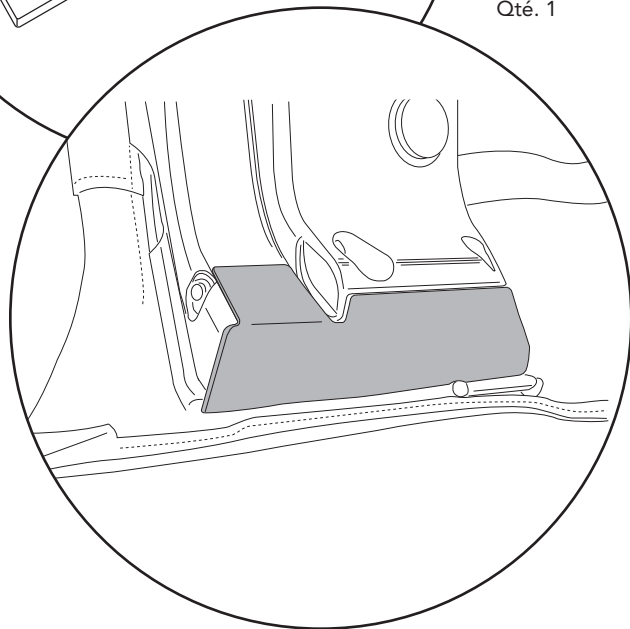
## Section 18 Installer la mousse #1 Bow et fixer #1 Bow

Pièces



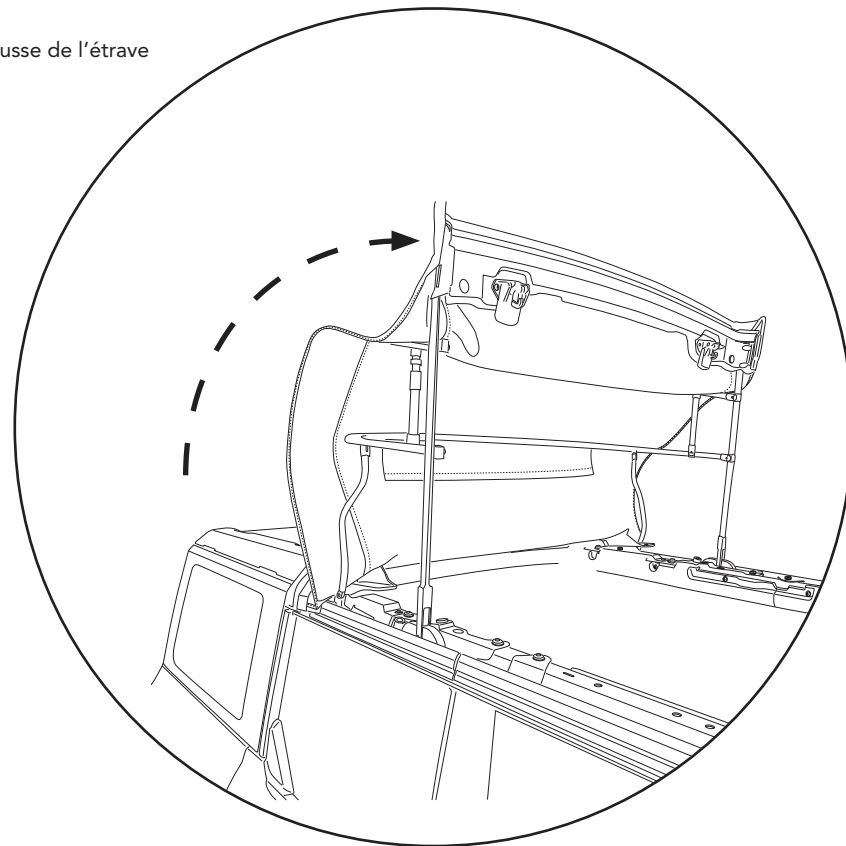
#1 Joint en mousse de l'étrave  
(à droite)  
Pièce n°615.66  
Qté. 1

#1 Joint en mousse de l'étrave  
(à gauche)  
Pièce n°615.67  
Qté. 1



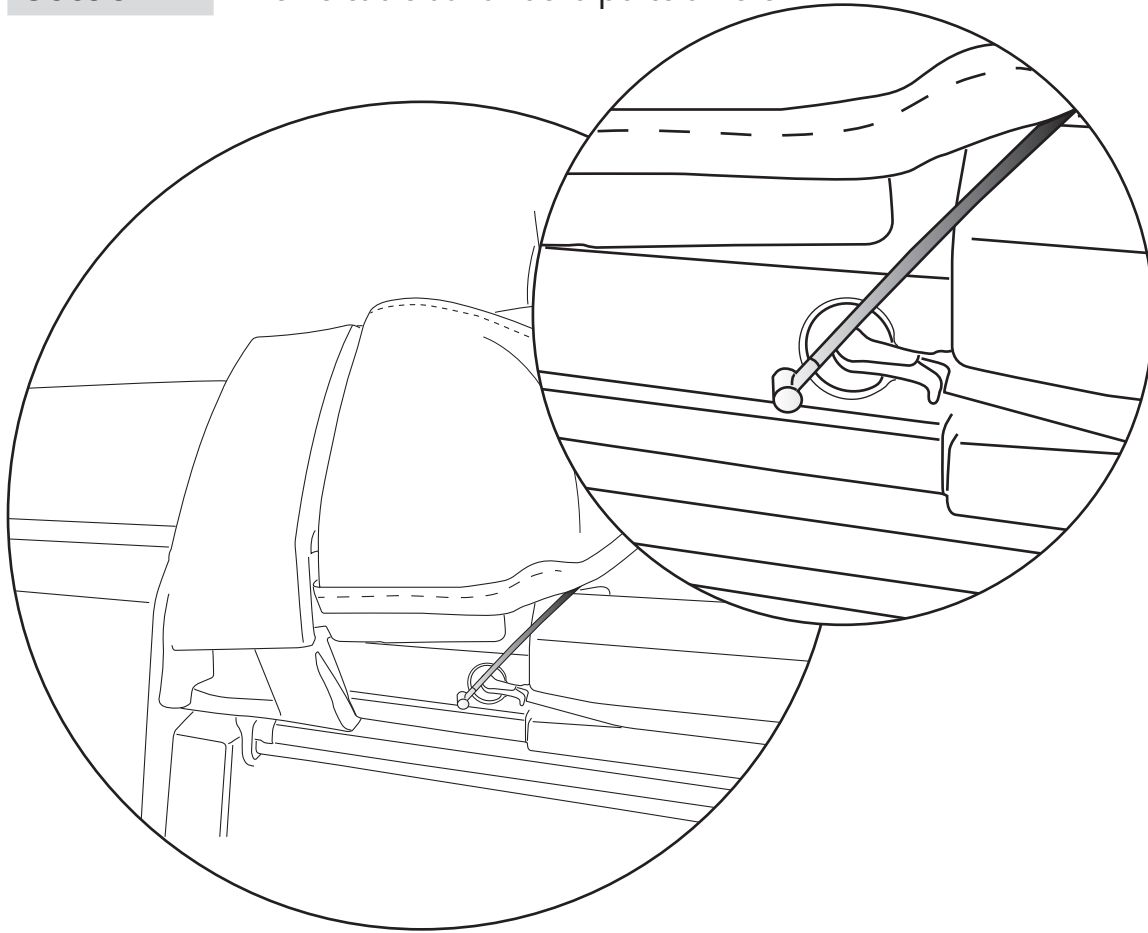
Découlez le papier protecteur au dos du joint mousse du nœud n° 1 et collez-le sur le côté du nœud n° 1.

Répétez cette étape sur le côté gauche de l'assemblage.

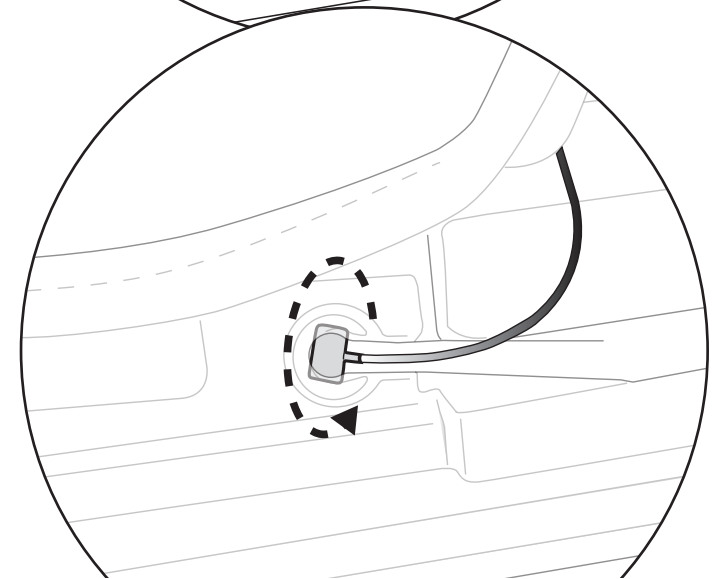
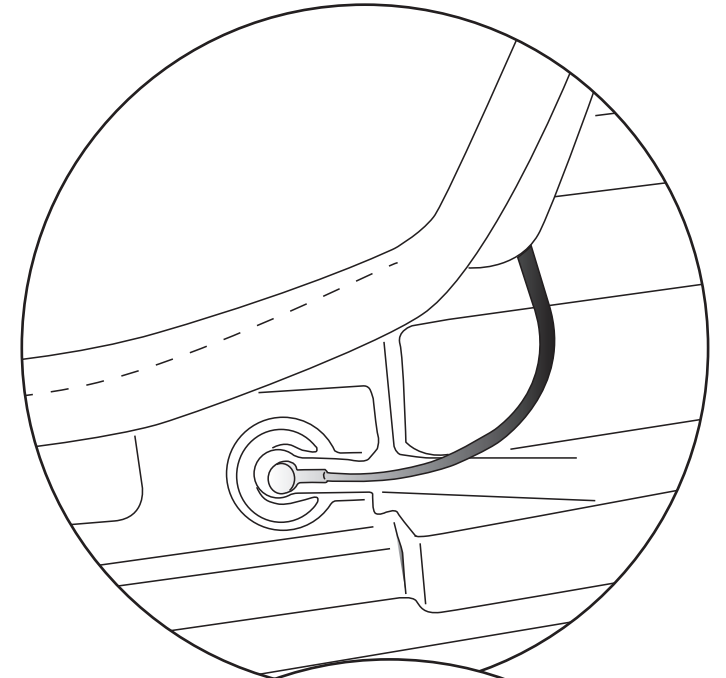
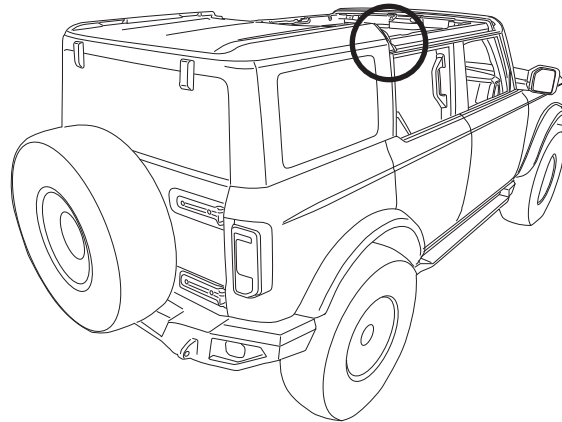


Placez l'arc n°1 en position verticale.

## Section 19 Fixer le câble au rail de la porte arrière

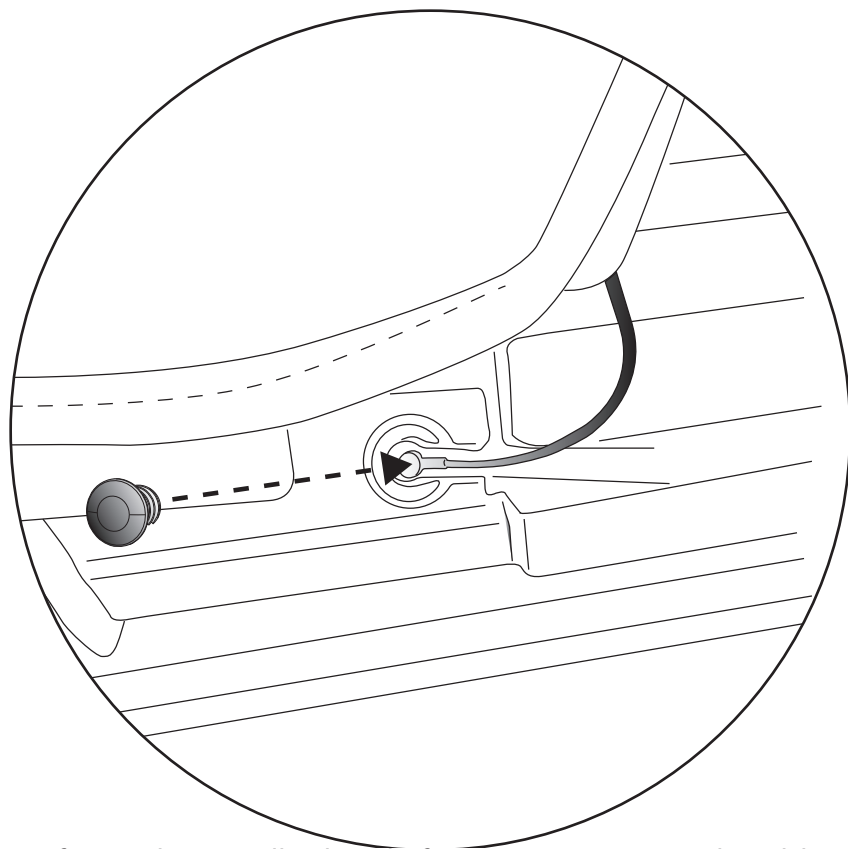


Trouvez le câble situé dans le bord de l'assemblage du tissu. Tirez-le vers le bas jusqu'à la fente du rail de la porte arrière, puis insérez-le dans la fente.



Tourner l'extrémité du câble d'un quart de tour. (Veiller à ce que le cylindre soit vertical dans la poche).

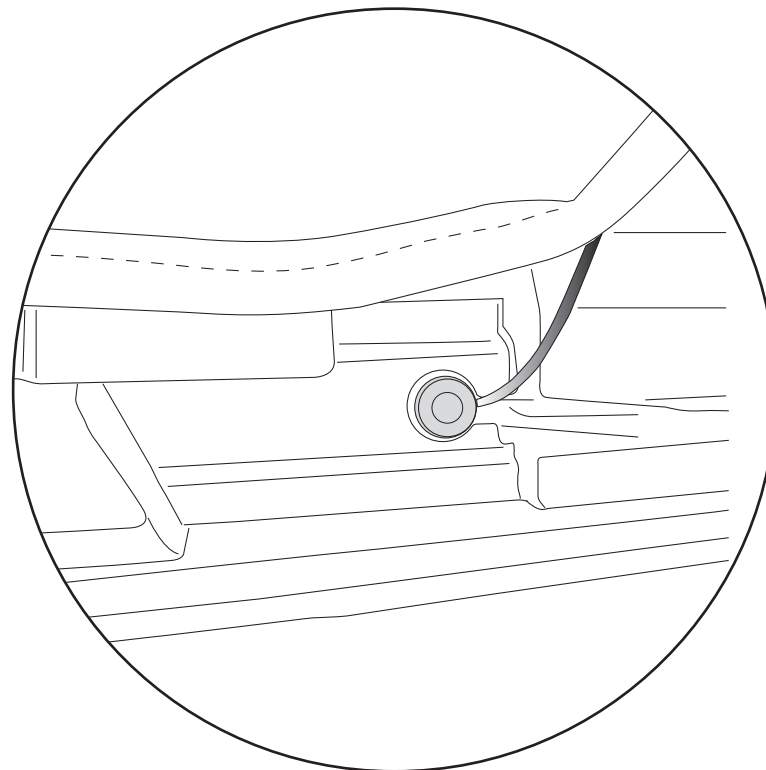
## Section 19 Fixation du câble au rail de la porte arrière (suite)



Pièces

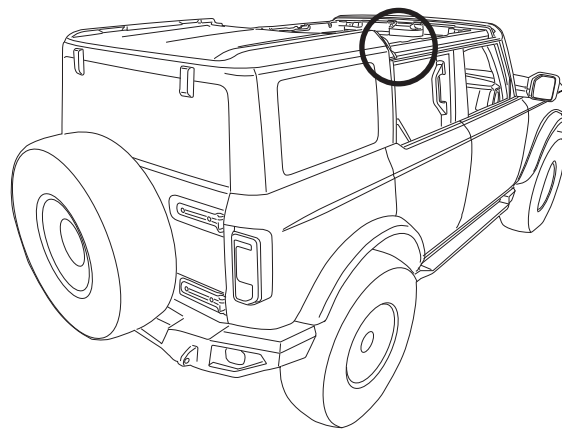


Goupille de poussée-  
Pièce n°533.96  
Qté. 2



Enfoncez la goupille dans la fente pour maintenir le câble en place.

Répéter cette étape sur le côté gauche de l'assemblage.

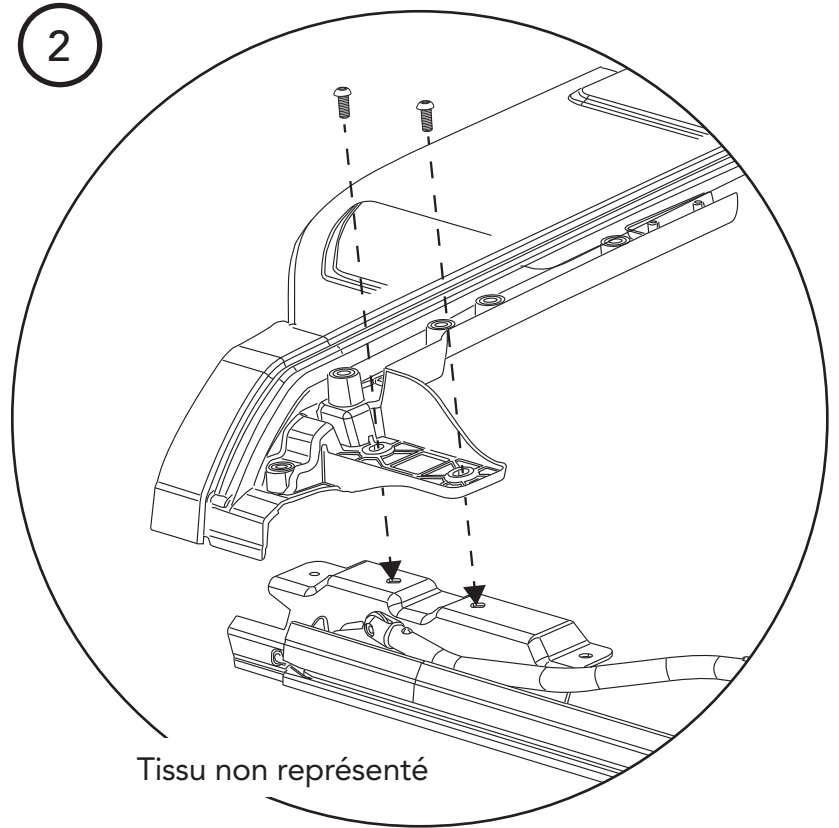
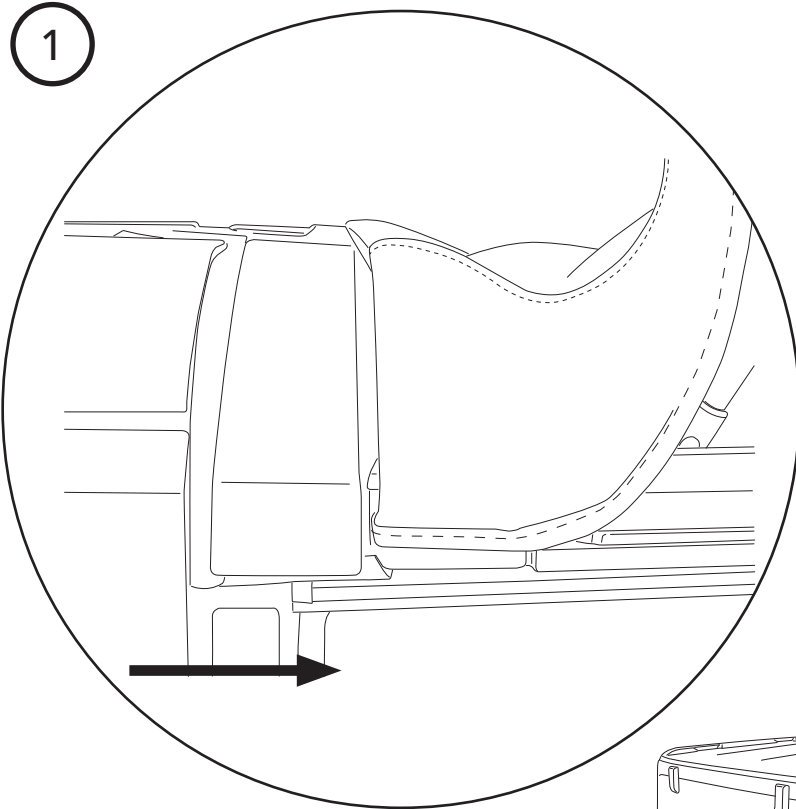


## Section 20 Déplacer le halo arrière vers l'avant et le fixer au véhicule.

### Outils



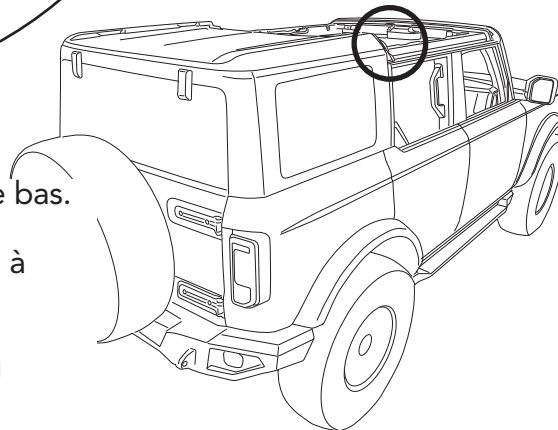
T40  
Tournevis Torx



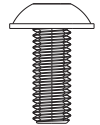
① Déplacez le Halo vers l'avant et vers le bas.

② Fixez le Halo au rail de la porte arrière à l'aide de deux (2) vis M8 x 20 mm.

Répétez l'opération de l'autre côté du véhicule.



### Pièces



VIS, M8 X 20mm  
Pièce n°573.09  
Qté. 4

T-40 Torx

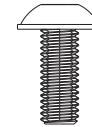
## Section 21 Fixer le halo au toit rigide (au centre).

### Outils

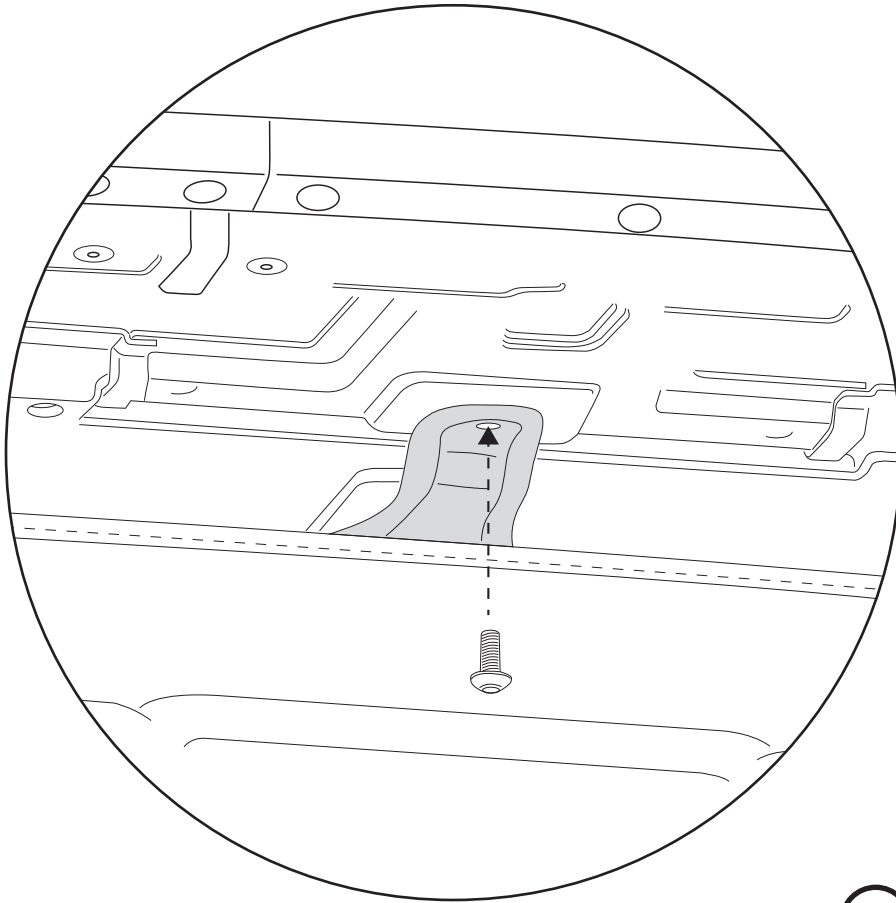


T40  
Tournevis Torx

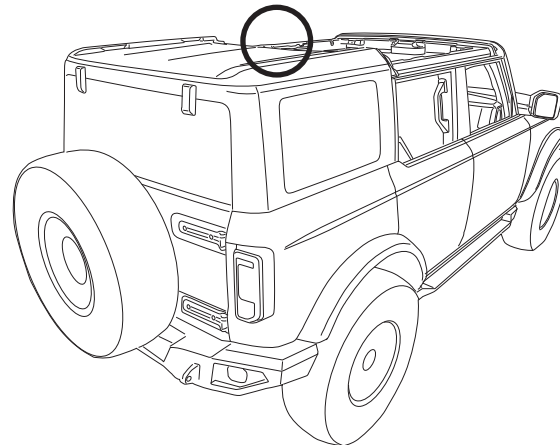
### Pièces



VIS, M8 X 20mm  
Pièce n°573.09  
Qté. 1  
T-40 Torx



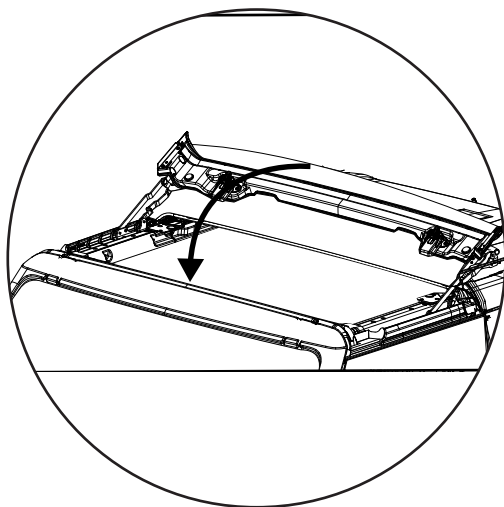
Fixez le Halo au support de fixation du Halo (installé sur le hardtop dans la section 3) à l'aide d'une (1) des vis M8 x 20 mm.



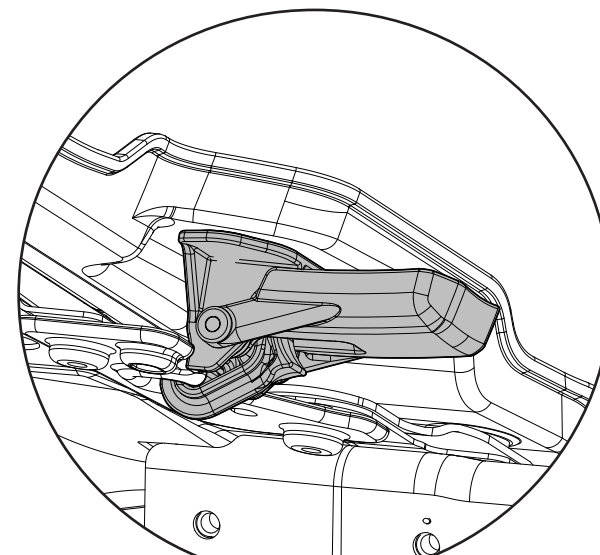
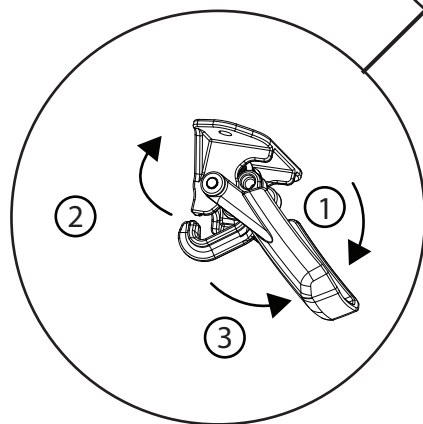
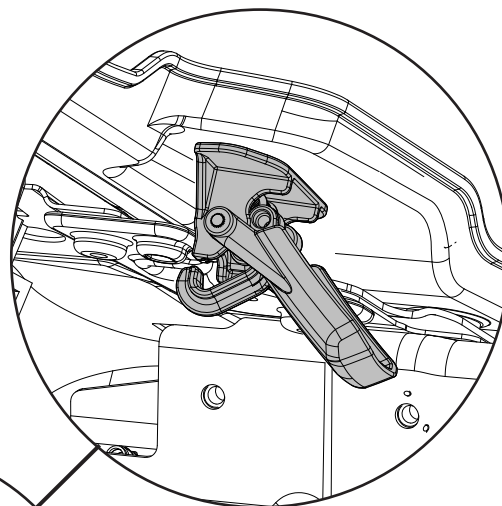
## Section 22 Fermeture et verrouillage de la traverse

Fixez les loquets à la traverse de pare-brise du véhicule.

- ① Tournez la poignée de verrouillage vers le bas ;
- ② Engagez le crochet ;
- ③ Tournez la poignée de verrouillage de nouveau vers le haut.

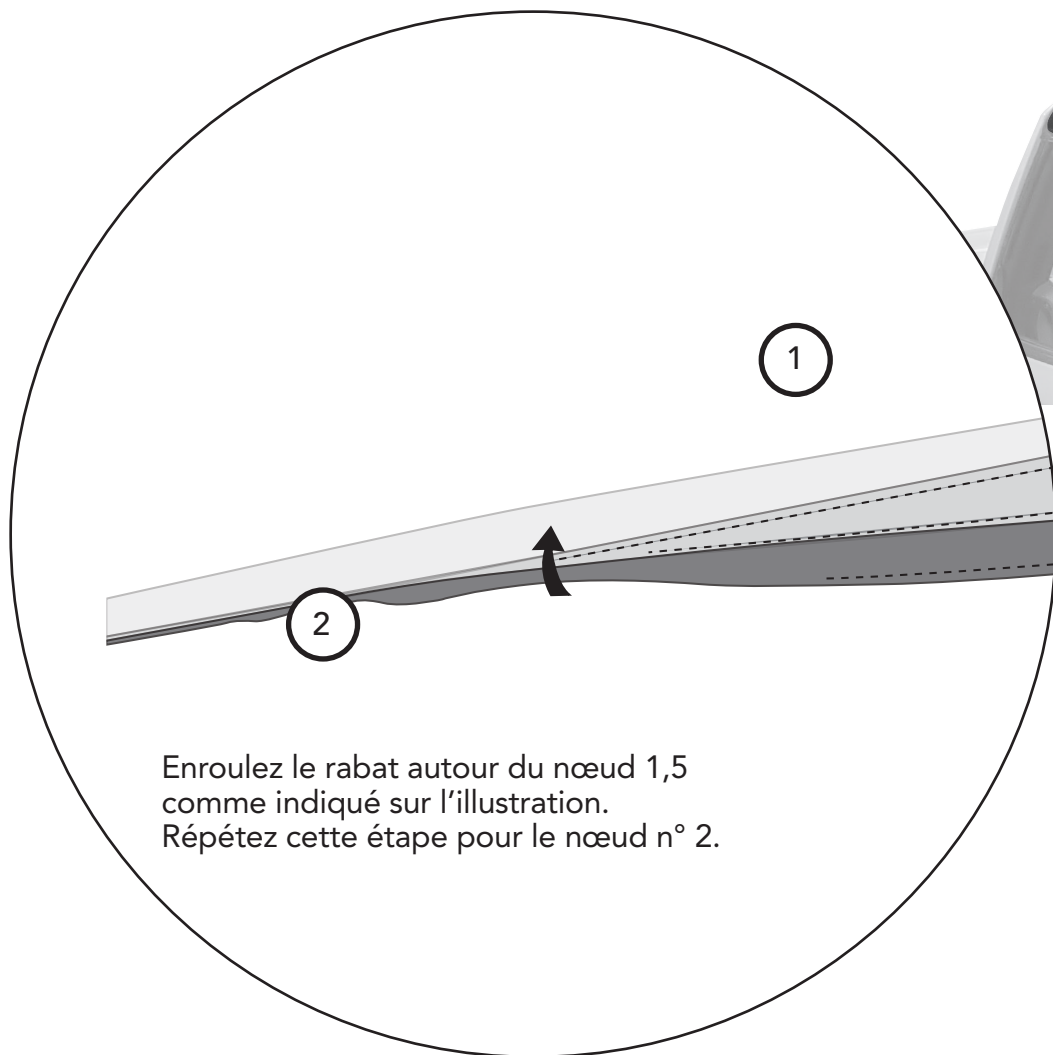


Repliez le Sunrider vers l'avant.

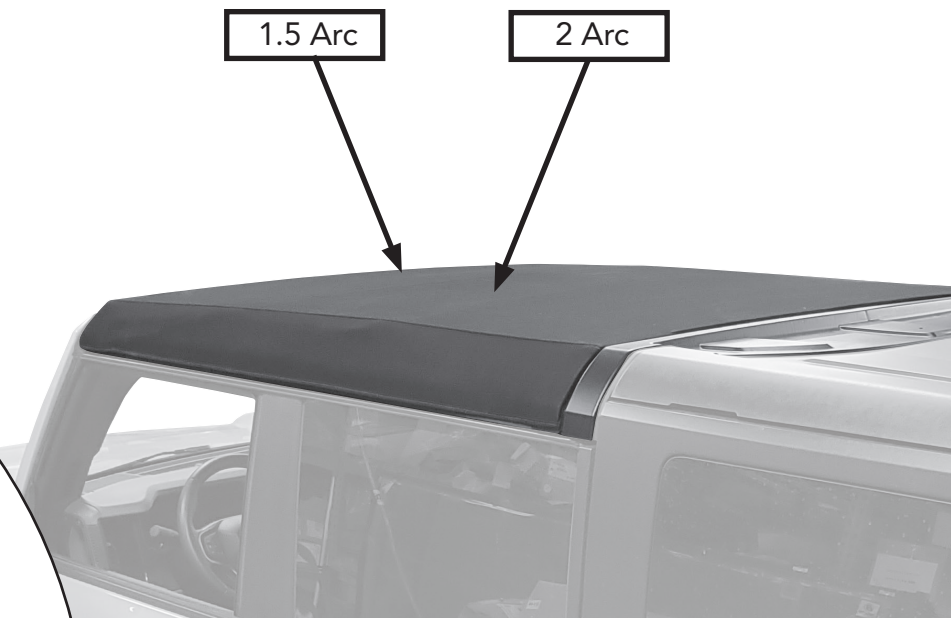


Verrouillez en position fermée

## Section 23 Fixer les bavettes de proue



Enroulez le rabat autour du nœud 1,5  
comme indiqué sur l'illustration.  
Répétez cette étape pour le nœud n° 2.



### Remarque:

N'oubliez pas de réinstaller l'antenne.

## Félicitations

Vous avez terminé l'installation de votre toit Bronco® Skyrider. Nous vous souhaitons de nombreuses années de service avec votre nouvelle capote.



## Entretien et maintenance des produits Bestop

Votre produit Bestop est fabriqué à partir des meilleurs matériaux disponibles. Pour qu'il conserve son aspect neuf et qu'il soit le plus résistant possible, il doit être nettoyé et entretenu périodiquement. d'un nettoyage et d'un entretien périodiques.

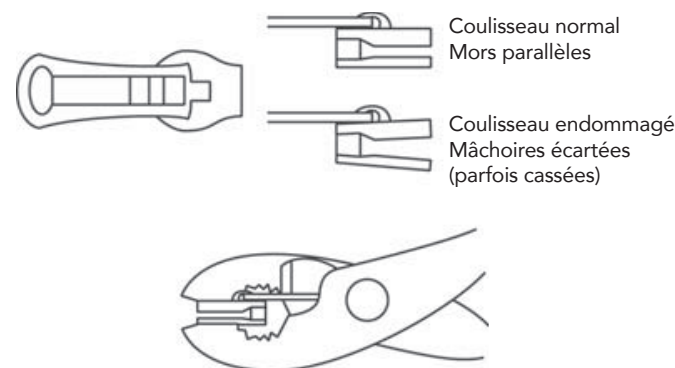
**Tissu:** Le tissu doit être lavé souvent avec du savon, de l'eau chaude et une brosse à poils doux. Bestop recommande d'utiliser Bestop Cleaner (référence 11201-00) et Bestop Protectant (référence 11202-00) pour le tissu Vinyl et Bestop Twill Protectant (référence 11207-00) pour le tissu Twill. Bestop Twill Protectant (référence 11207-00) pour le tissu Twill. Le nettoyeur Bestop et le protecteur Bestop sont spécialement formulés pour fournir un système total de nettoyage et de protection. système de nettoyage et de protection complet. Bestop Cleaner élimine en toute sécurité les taches les plus tenaces, n'endommage pas les finitions des véhicules, est biodégradable et respectueux de l'environnement. biodégradable et respectueux de l'environnement. Le Bestop Protectant protège contre la décoloration due aux UV, les craquelures et le durcissement, et repousse la poussière, la graisse, la saleté et la moisissure.

**Fenêtres:** Gardez les fenêtres propres pour éviter les rayures. N'utilisez PAS de brosse sur les vitres ! Lavez-les avec un chiffon ou une éponge imbibés d'eau et un détergent à vaisselle doux. Bestop recommande le nettoyeur pour vitres en vinyle Bestop (référence 11203-00), qui nettoie et protège les vitres en vinyle en toute sécurité et aide à prévenir les dommages causés par les rayons UV. qui nettoie et protège les vitres en vinyle en toute sécurité et aide à prévenir les dommages causés par les UV. N'ESSUYEZ JAMAIS LES VITRES LORSQU'ELLES SONT SÈCHES. Soyez prudent lorsque vous nettoyez la neige ou le givre sur les vitres en vinyle car elles se rayent facilement et peuvent se fissurer à basse température. NE PAS rouler les vitres latérales ou arrière par temps froid. par temps froid. Les vitres deviennent rigides et se fissurent. Les fissures causées par une mauvaise utilisation par temps froid ne sont pas couvertes par la garantie.

**Eau:** Les infiltrations au niveau des coutures peuvent être stoppées en appliquant du Scotchgard® 3-M à l'intérieur des coutures.

**Claquettes:** Nettoyez les boutons-pression et lubrifiez-les avec du silicone pour éviter qu'ils ne collent aux montants. Si un bouton-pression reste collé à un montant, utilisez un tournevis et écarter-le DOUCEMENT pour éviter d'endommager définitivement le bouton-pression ou le tissu supérieur.

**Fermetures à glissière:** Le nettoyage et la lubrification des fermetures éclair à l'aide du nettoyeur pour fermetures éclair Bestop (référence 11206-00) permettent d'éviter les dommages et de maintenir les fermetures éclair en bon état de fonctionnement. Si une fermeture éclair s'ouvre derrière le curseur, il se peut que le curseur ait été écarté. Ce problème peut généralement être réparé en utilisant une pince ordinaire pour remettre les côtés en parallèle. Replacez le curseur à l'extrémité de la fermeture à glissière en position normale d'ouverture. Pressez légèrement au début et testez la fermeture à glissière. Si la fermeture reste ouverte, serrez plus fort avec la pince et essayez à nouveau la fermeture à glissière. Répétez cette procédure jusqu'à ce que la fermeture éclair fonctionne correctement.



**Pour obtenir des informations sur la garantie Bestop, veuillez consulter;**

<https://www.bestop.com/help/warranty-information/>

