



# Installation Instructions Factory Style Bow Kit

Vehicle Application:  
Jeep® JK Wrangler Unlimited 2007-2018  
Part Number 55001

## Installation Tips

Before you begin installing your new Factory Style Bow Kit, please read all the instructions thoroughly.

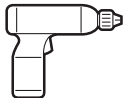


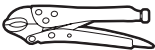


**⚠ WARNING** Do not rely in any way on the components of this product to protect against injury or death in the event of an accident. Never operate the vehicle in excess of manufacturer’s specifications.

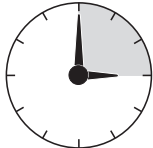
Read and follow, precisely, all installation instructions provided when installing this product. Failure to do so may result in a poor fit and could place occupants of the vehicle in a potentially dangerous situation.

## WEAR SEAT BELTS AT ALL TIMES

**⚠ CAUTION** Safety glasses should be worn at all times when installing this product.



Tools			
			
Drill Driver & #2 Phillips Bit	#2 Phillips Screwdriver	T30 and T40 Torx Drivers	Vise-Grips
			
Adjustable Wrench	Safety Glasses		

Installation Time
 <b>3 Hours</b>

Skill Level
<div style="display: flex; justify-content: space-around; align-items: center;"> <div style="border: 1px solid black; border-radius: 50%; width: 30px; height: 30px; display: flex; align-items: center; justify-content: center;">1</div> <div style="border: 2px solid black; border-radius: 50%; width: 30px; height: 30px; display: flex; align-items: center; justify-content: center;">2</div> <div style="border: 1px solid black; border-radius: 50%; width: 30px; height: 30px; display: flex; align-items: center; justify-content: center;">3</div> <div style="border: 1px solid black; border-radius: 50%; width: 30px; height: 30px; display: flex; align-items: center; justify-content: center;">4</div> </div> <p>2 - Moderatly Easy</p>

Support
<p>We’re here to help! Go to: <a href="https://www.bestop.com">https://www.bestop.com</a> and click on <b>Need Help?</b></p>

<a href="https://www.bestop.com/video-library">https://www.bestop.com/video-library</a>



## Installation Instructions Factory Style Bow Kit

Vehicle Application:  
Jeep® JK Wrangler Unlimited 2007-2018  
Part Number 55001

### Sugerencias de Instalación

**Antes de empezar a instalar esta unidad, lea atentamente todas las instrucciones.**

**Para un buen ajuste:**

Para facilitar la instalación, el producto debe instalarse a temperaturas superiores a 72 °F (22 °C).

Por debajo de esta temperatura, la tela puede encogerse una pulgada o más, lo que dificultaría su ajuste al vehículo.

Es normal que la tela se contraiga o arrugue cuando está guardada en la caja de empaque. A los pocos días después de la instalación, la tela se relajará y las arrugas desaparecerán.



#### ADVERTENCIA

Este producto se diseñó principalmente para mejorar la apariencia del vehículo y proteger a los ocupantes de las condiciones climáticas comunes. De ninguna manera piense que los componentes de este producto pueden servir como medio de contención para los ocupantes del vehículo o que pueden protegerlos contra lesiones o la muerte en caso de accidente. Este producto no protegerá a los ocupantes contra caídas de objetos. Nunca conduzca este vehículo fuera de las especificaciones del fabricante.

#### USE LOS CINTURONES DE SEGURIDAD EN TODO MOMENTO

Lea y siga con precisión todas las instrucciones de instalación que se proporcionan para instalar este producto. Si no lo hace, podría producirse un mal ajuste que colocaría a los ocupantes del vehículo en una situación potencialmente peligrosa.



#### PRECAUCIÓN

Debe usar gafas protectoras en todo momento durante la instalación de este producto.

### Conseils pour l'installation

**Lire toutes les instructions au complet avant de commencer l'installation de cet assemblage.**

**Pour un ajustement sans problème :**

Afin de faciliter l'installation, ce produit doit être installé à des températures au-dessus de 72 °F (22 °C).

Sous cette température, le tissu peut rétrécir d'un pouce (2,5 cm) ou plus, ce qui rendra l'ajustement sur le véhicule difficile.

Il est normal que le tissu rétrécisse et plisse pendant qu'il est dans la boîte d'expédition. En quelques jours après l'installation, le tissu se détendra et les plis disparaîtront.



#### AVERTISSEMENT

Ce produit est conçu principalement pour améliorer l'apparence du véhicule et pour protéger les occupants des conditions météorologiques usuelles. Ne jamais se fier aux composants de ce produit pour se protéger de blessures ou de la mort en cas d'accident. Ce produit ne protégera pas les occupants des chutes d'objets. Ne jamais utiliser le véhicule au-delà des caractéristiques techniques indiquées par le fabricant.

#### PORTER UNE CEINTURE DE SÉCURITÉ EN TOUT TEMPS

Lire et suivre, très fidèlement, toutes les instructions d'installation fournies lors de l'installation de ce produit. Ne pas suivre cette consigne peut causer une installation inadéquate et mettre les occupants du véhicule dans une situation potentiellement dangereuse.



#### MISE EN GARDE

Des lunettes de sécurité doivent être portées en tout temps lors de l'installation de ce produit.



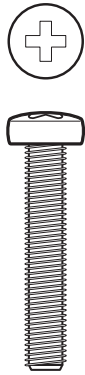
# Installation Instructions Factory Style Bow Kit

Vehicle Application:  
Jeep® JK Wrangler Unlimited 2007-2018  
Part Number 55001

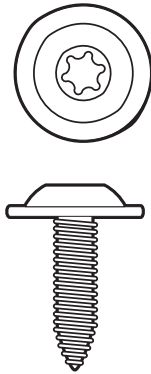
## Parts List



M5 x 16 Screw  
Qty. 6  
Part # 459.45



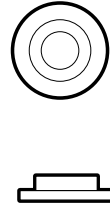
M5 x 30 Screw  
Qty. 2  
Part # 308.87



Bow Mount Screw  
Qty. 4  
Part # 308.64



Washer Screw  
Qty. 31  
Part # 393.79



Plastic Bushing  
Qty. 8  
Part # 473.40



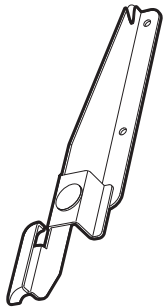
M5 Nylock Nut  
Qty. 8  
Part # 308.62



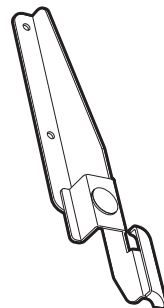
Pivot Knuckle Screw  
Qty. 2  
Part # 308.65



#8 x 1/2" Screw  
Qty. 27  
Part # 459.03



Cable Guide Bracket  
Qty. 1  
Part # 482.83 - Left



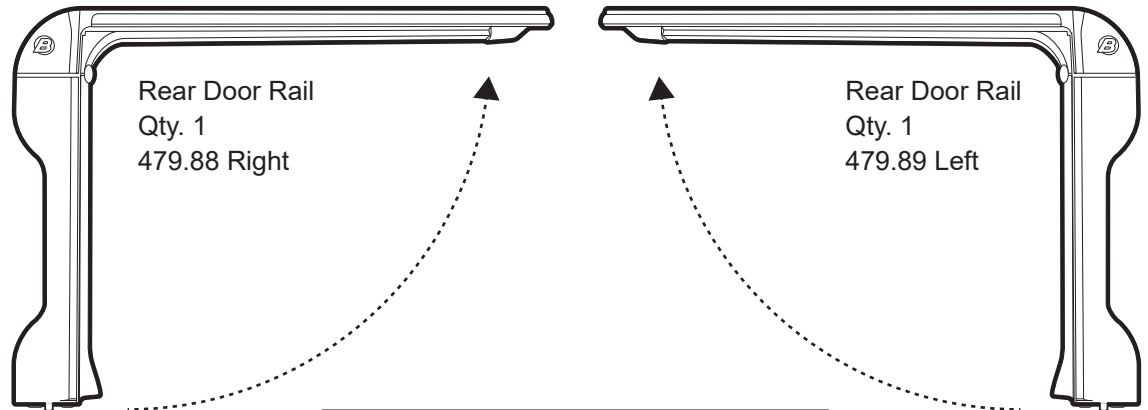
Cable Guide Bracket  
Qty. 1  
Part # 482.82 - Right



Tailgate Bar Mount  
Qty. 1  
Part # 488.47 - Left



Tailgate Bar Mount  
Qty. 1  
Part # 488.46 - Right



Rear Door Rail  
Qty. 1  
479.88 Right

Rear Door Rail  
Qty. 1  
479.89 Left

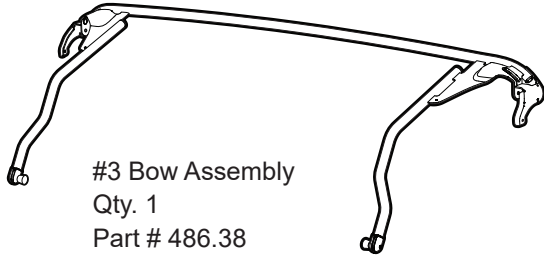
Stay Strap  
Qty. 2  
Part # 456.32



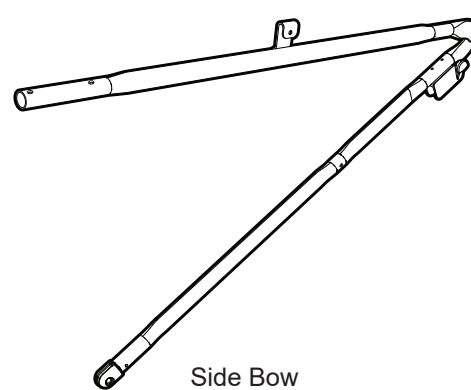
# Installation Instructions Factory Style Bow Kit

Vehicle Application:  
Jeep® JK Wrangler Unlimited 2007-2018  
Part Number 55001

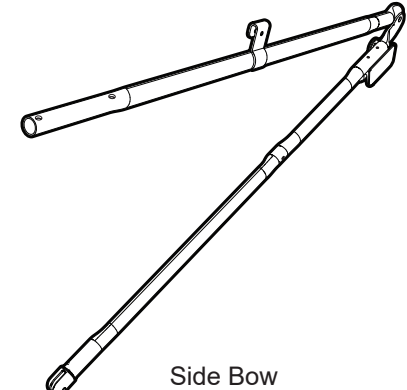
## Parts List



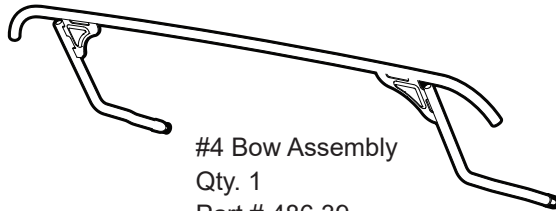
#3 Bow Assembly  
Qty. 1  
Part # 486.38



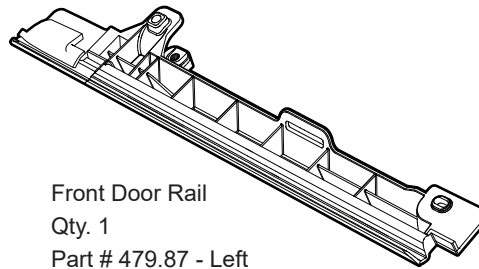
Side Bow  
Qty. 1  
Part # 492.89 - Left



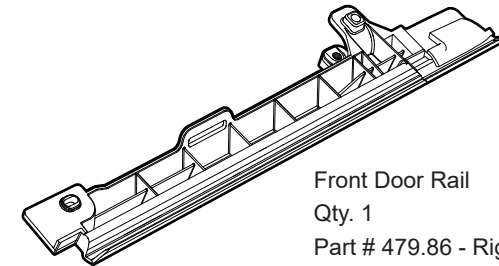
Side Bow  
Qty. 1  
Part # 492.90 - Right



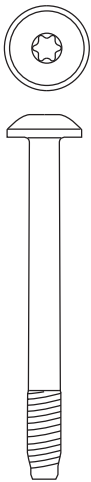
#4 Bow Assembly  
Qty. 1  
Part # 486.39



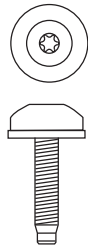
Front Door Rail  
Qty. 1  
Part # 479.87 - Left



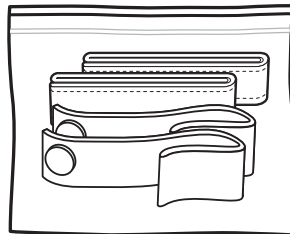
Front Door Rail  
Qty. 1  
Part # 479.86 - Right



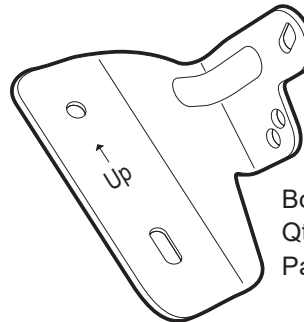
M8 x 80mm Screw  
Qty. 4  
Part # 532.23



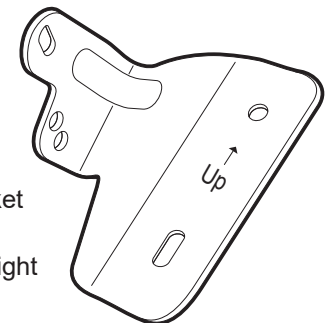
M8 x 38mm Screw  
Qty. 2  
Part # 532.17



Strap Kit  
Qty. 1  
Part #413.09



Bow Mount Bracket  
Qty. 1  
Part # 492.93 - Left



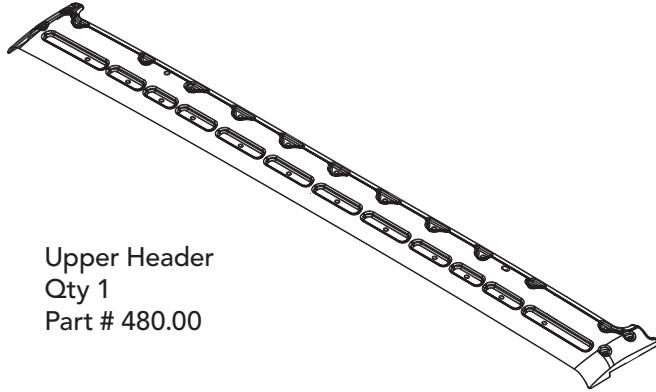
Bow Mount Bracket  
Qty. 1  
Part # 492.92 - Right



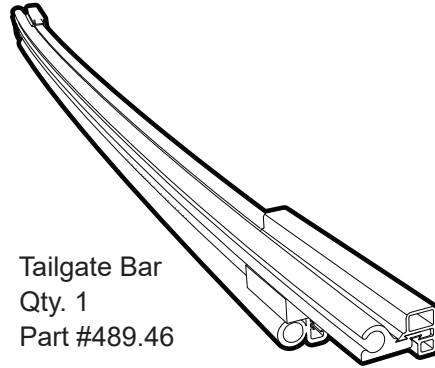
# Installation Instructions Factory Style Bow Kit

Vehicle Application:  
Jeep® JK Wrangler Unlimited 2007-2018  
Part Number 55001

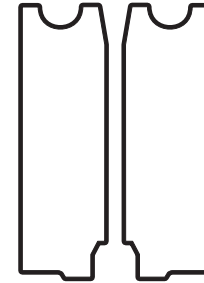
## Parts List



Upper Header  
Qty 1  
Part # 480.00



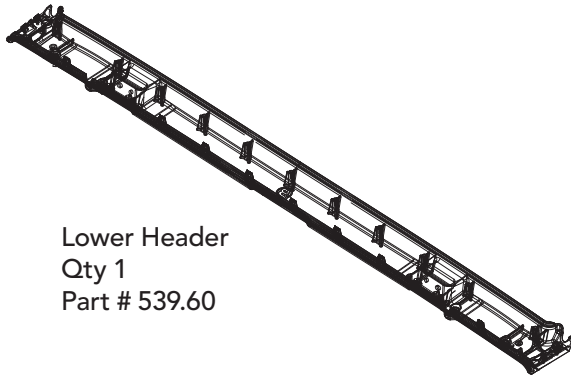
Tailgate Bar  
Qty. 1  
Part #489.46



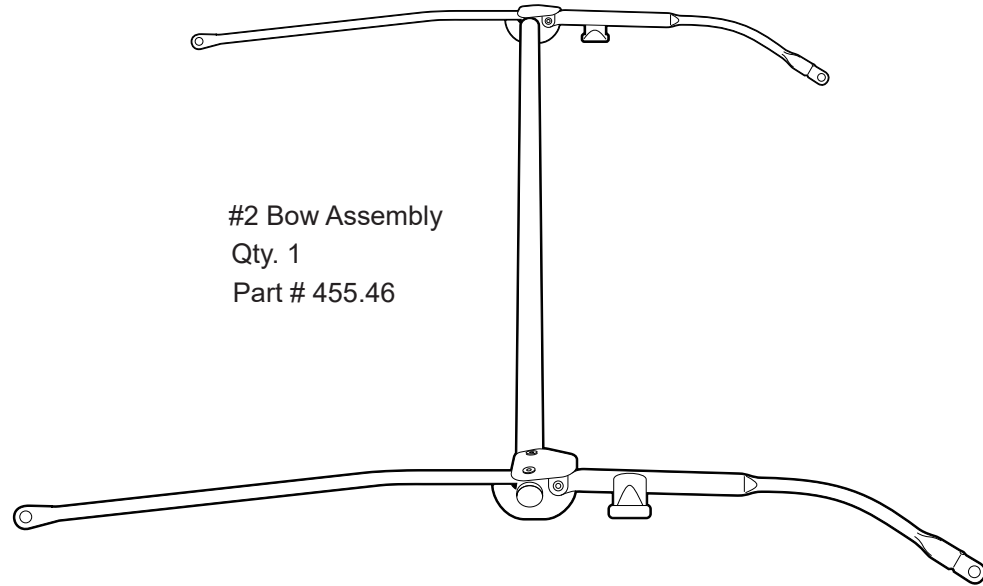
Foam Seals  
Qty. 1 per side  
Part # 457.76 (R) & 457.77(L)



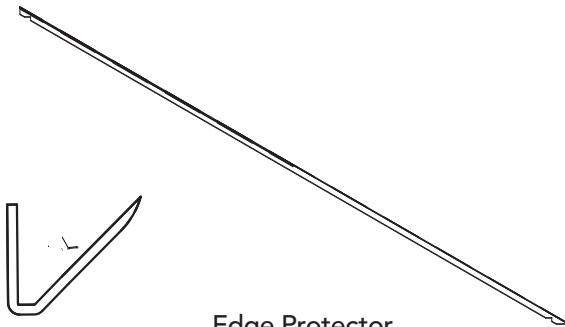
Foam Tape Strips  
Qty. 2  
Part # 417.43



Lower Header  
Qty 1  
Part # 539.60



#2 Bow Assembly  
Qty. 1  
Part # 455.46



Edge Protector  
Qty 1  
Part # 481.90

End View

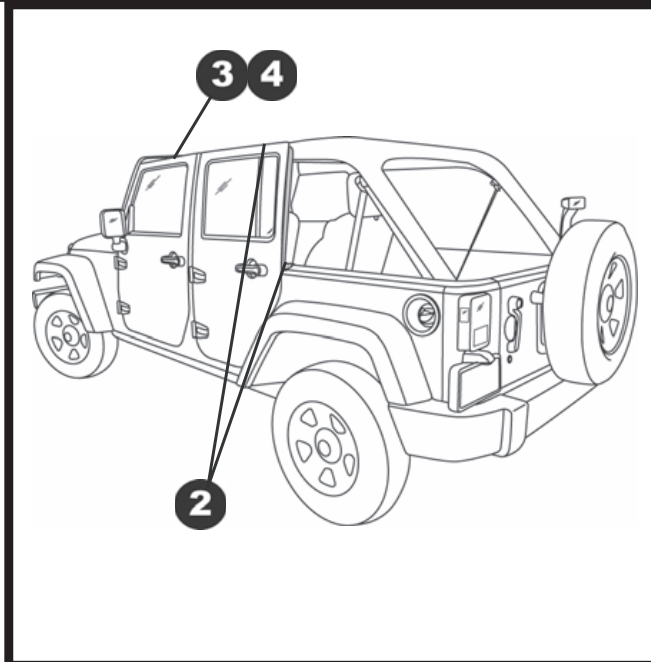
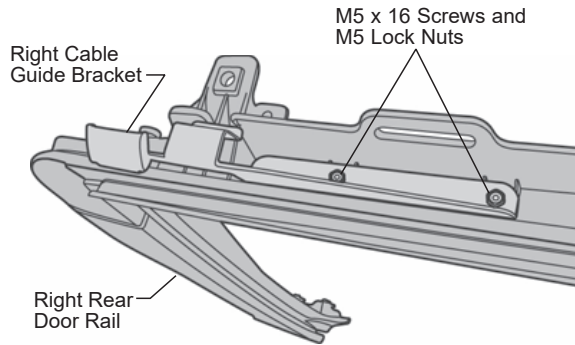


# Installation Instructions Factory Style Bow Kit

Vehicle Application:  
Jeep® JK Wrangler Unlimited 2007-2018  
Part Number 55001

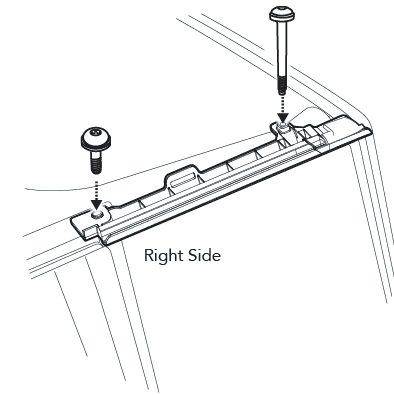
## 1 Mount Cable Guide Brackets to Rear Door Rails

Mount the Right Cable Guide Bracket to the Right Rear Door Rail with two (2) M5 x 16 Screws and M5 Lock Nuts. Repeat with the Left Rear Door Rail.



## 4 Install Front Door Rail

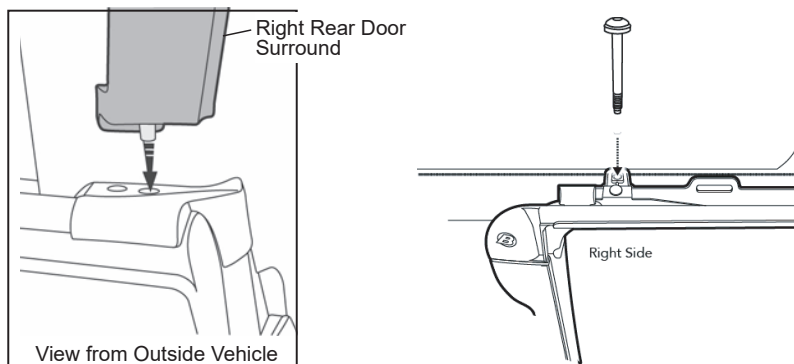
Install an M8 x 80mm Screw at the front of the rail and an M8 x 38mm Screw in the center. Tighten to 55in/lb (4.5ft/lb).



## 2 Install Rear Door Rail

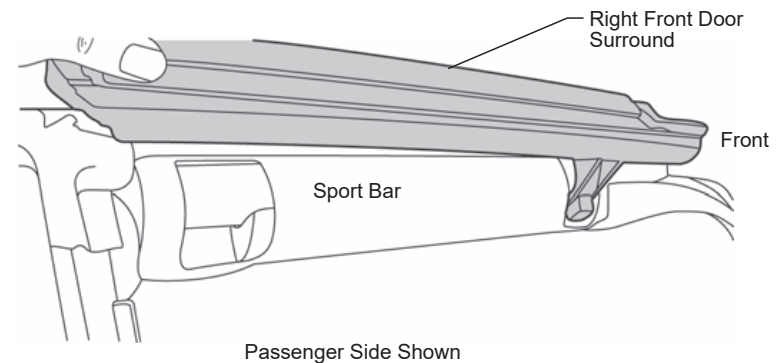
Locate the left and right Rear Door Rail. Insert the pin in the bottom of the Door Rail into the hole in the belt rail behind the door.

Place an M8 x 80mm Screw through the tab on the Door Rail and tighten to 55in/lb (4.5ft/lb).



## 3 Install Front Door Rail

Place the Front Door Rail above the door opening.



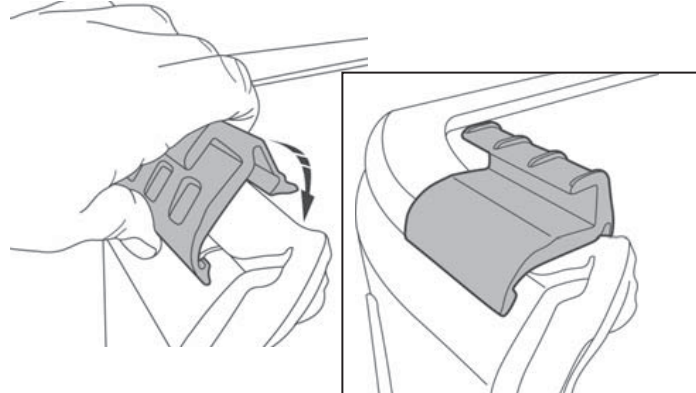


## Installation Instructions Factory Style Bow Kit

Vehicle Application:  
Jeep® JK Wrangler Unlimited 2007-2018  
Part Number 55001

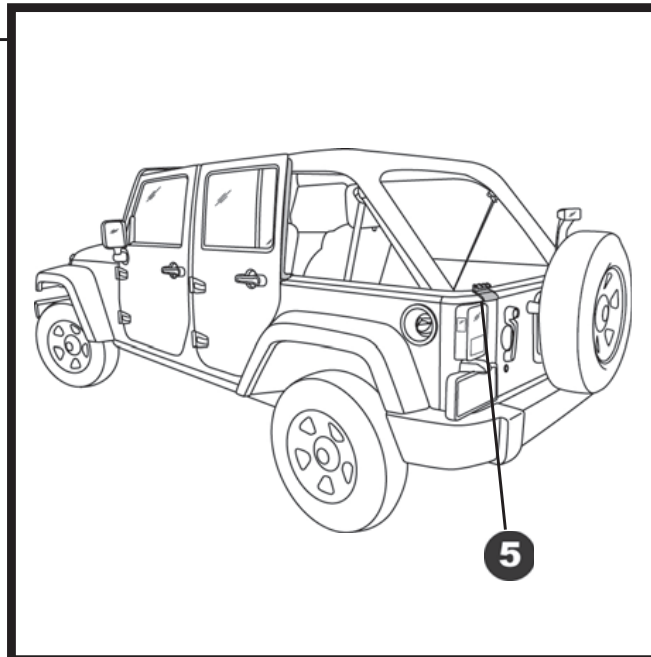
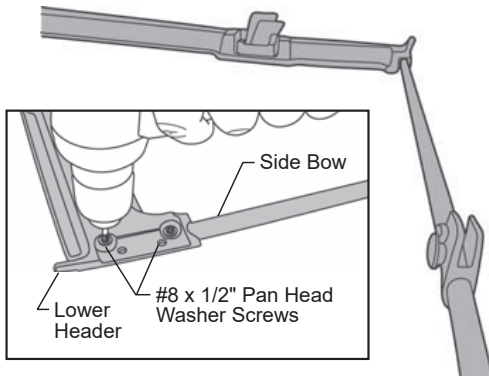
### 5 Install Tailgate Bar Mounts

Locate the left and right Tailgate Bar Mounts. Orient them on the vehicle. Hook the bottom of one mount under the belt rail and roll it toward the inside of the vehicle until it clips into place. Repeat this with the other Tailgate Bar Mount.



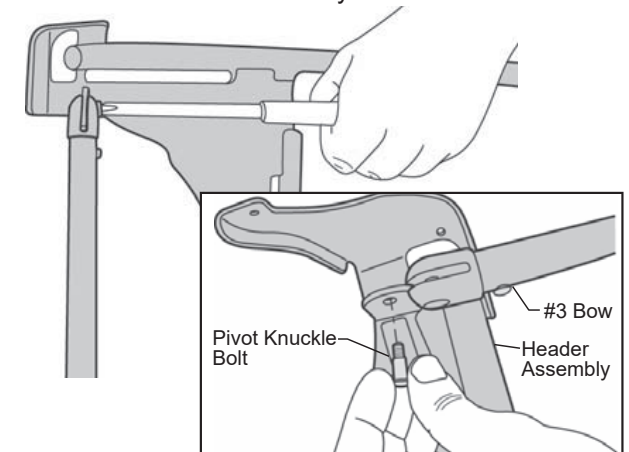
### 6 Install Side Bows on Lower Header

Place the Lower Header on the Side Bows. Orient the Side Bows with the Brackets up. Install two (2) #8 x 1/2" Pan Head Washer Screws to secure the Lower Header to each Side Bow.



### 7 Install #3 Bow on Header Assembly

Use a Pivot Knuckle Bolt to install the #3 Bow to the Side Bow/Header Assembly.





# Installation Instructions Factory Style Bow Kit

Vehicle Application:  
Jeep® JK Wrangler Unlimited 2007-2018  
Part Number 55001

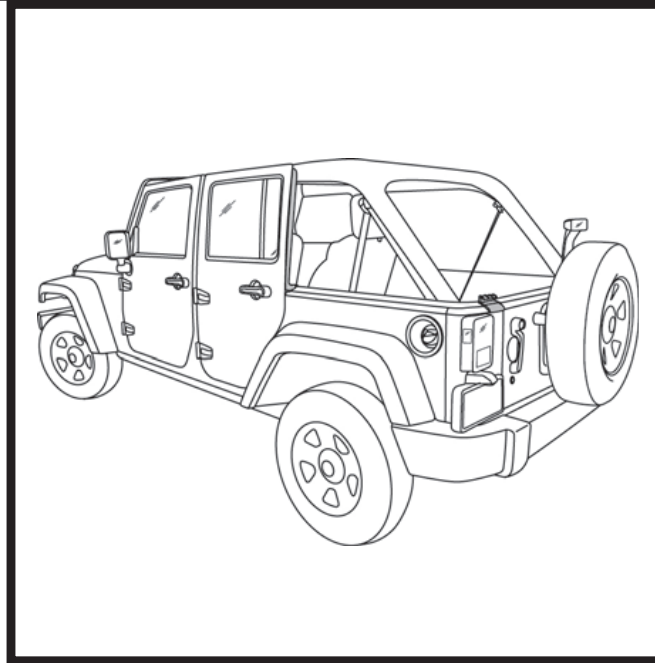
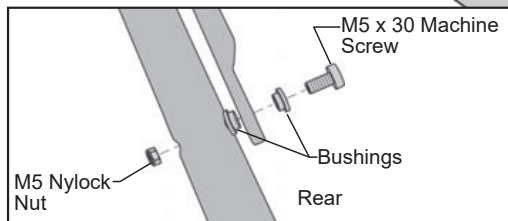
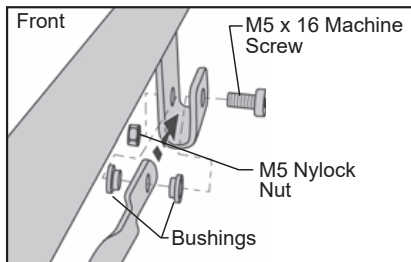
## 8 Assemble #2 Bow to Header / Side Bow Assembly

Locate the #2 Bow Assembly. Place it on the Side Bow/Header Assembly.

**Front:** Install an M5 x 16 Machine Screw with two (2) Bushings and an M5 Nylock Nut on the front of the Side Bow.

**Rear:** At the rear install an M5 x 30 Machine Screw with (2) Bushings and an M5 Nylock Nut.

Repeat these steps on both legs of the #2 Bow

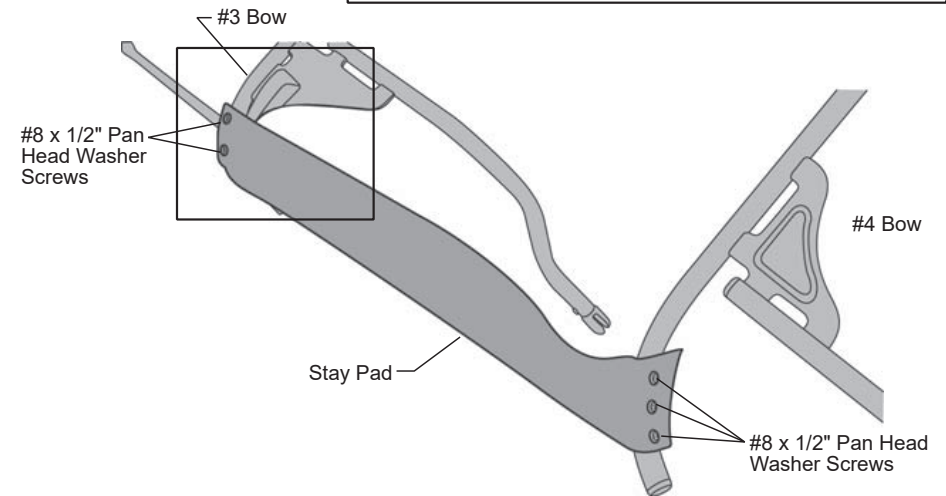
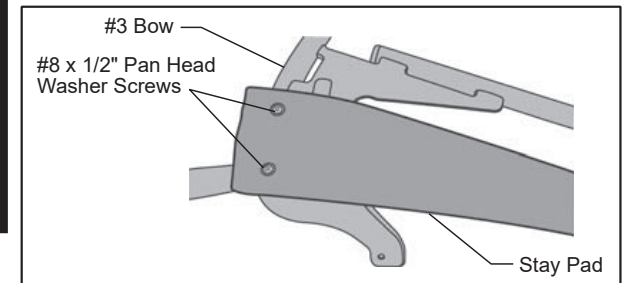


**CAUTION**

Do Not allow Stay Pad to twist.

## 9 Install Stay Pad

Align the two (2) holes in the square end of the Stay Pad with the 2 holes in the corners of the #3 Bow. Install two (2) #8 x 1/2" Pan Head Washer Screws. Pull the pointed end of the Stay Pad back to the #4 Bow. Make sure that it is not twisted and the point is to the inside. Install three (3) #8 x 1/2" Pan Head Washer Screws. Repeat on both sides.







## Installation Instructions Factory Style Bow Kit

Vehicle Application:  
Jeep® JK Wrangler Unlimited 2007-2018  
Part Number 55001

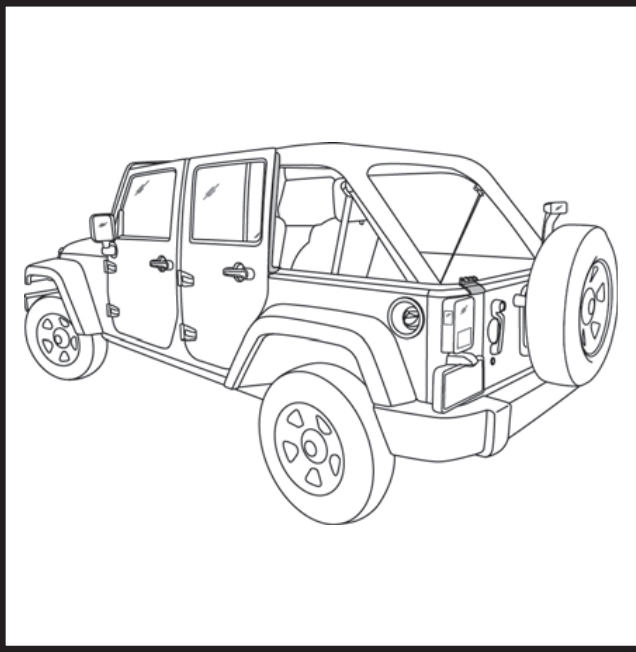
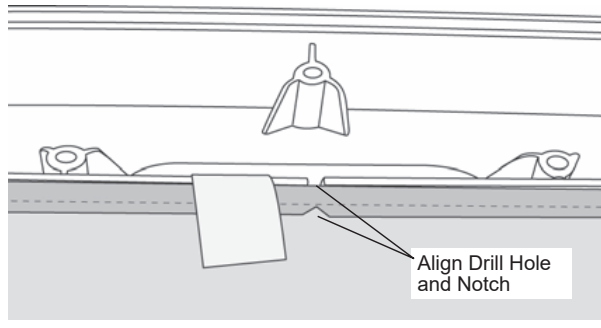


### CAUTION

Drill Hole in fabric and notch in Lower Header must be aligned.

## 10 Align Top Fabric with Header

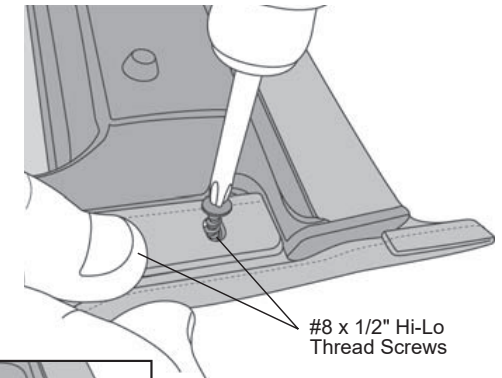
Lay the front edge of the top fabric on the Lower Header with the backing side up. Make sure the drill hole in the center of the fabric lines up with the notch in the Lower Header. Tape the fabric in place.



## 12 Install Side Bows on Header Assembly

Wrap the fabric around the edge of the header. Slip the fabric pocket sewn into the top between the headers and position the anchor foot.

Install two (2) #8 x 1/2" Hi-Lo Thread Screws through the fabric and metal flag into the Lower Header on each side.

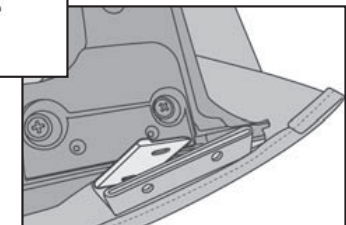
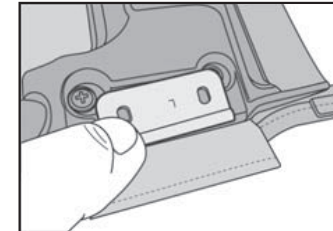
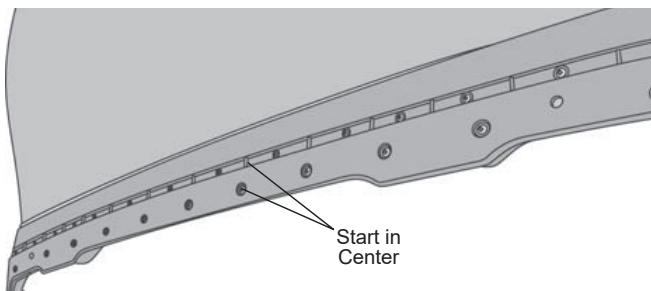


## 11 Secure Top Fabric to Header

Place Edge Protector over front edge of Upper Header and tape in place.

Lay the Upper Header on top so that the fabric is sandwiched between the Upper and Lower Headers.

Start with the center hole and install twenty-three (23) #8 x 1/2" Hi-Lo Screws to attach the Upper Header to the Lower Header. Secure the Upper Header to each Side Bow with four (4) #8 x 1/2" Pan Head Washer Screws.



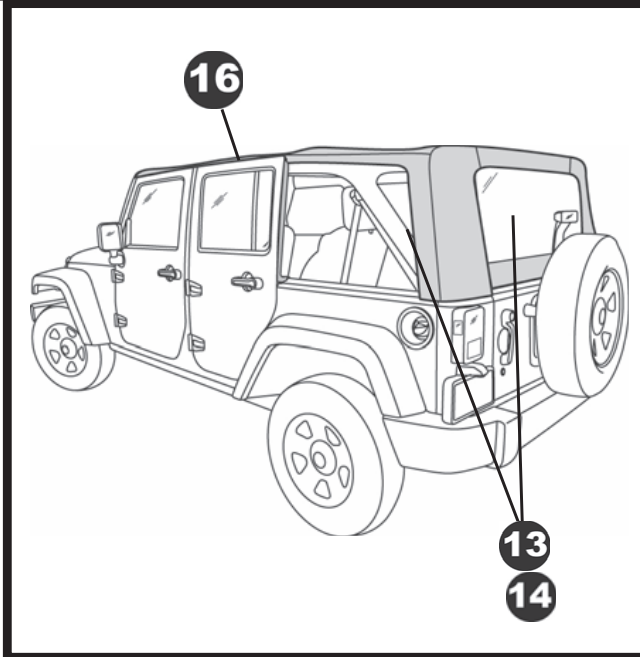
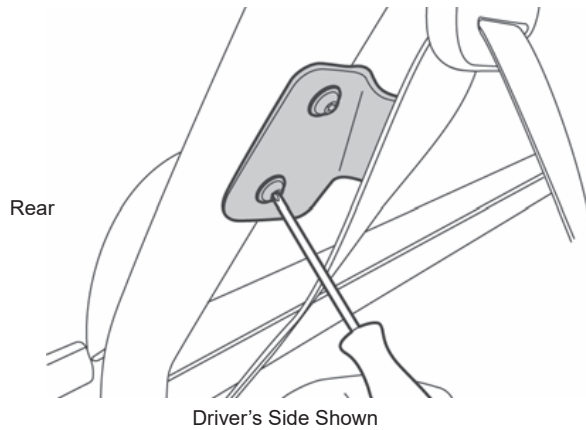


# Installation Instructions Factory Style Bow Kit

Vehicle Application:  
Jeep® JK Wrangler Unlimited 2007-2018  
Part Number 55001

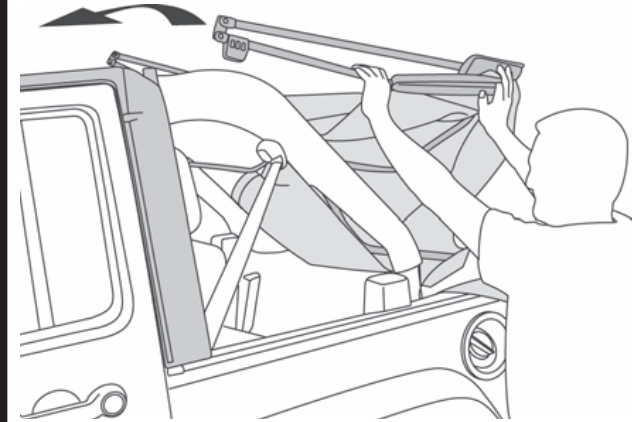
## 13 Install Bow Mount Brackets on Sport Bars

Use Bow Mount Screws to install Bow Mount Brackets on rear sport bar.



## 15 Drape Top Fabric over Vehicle

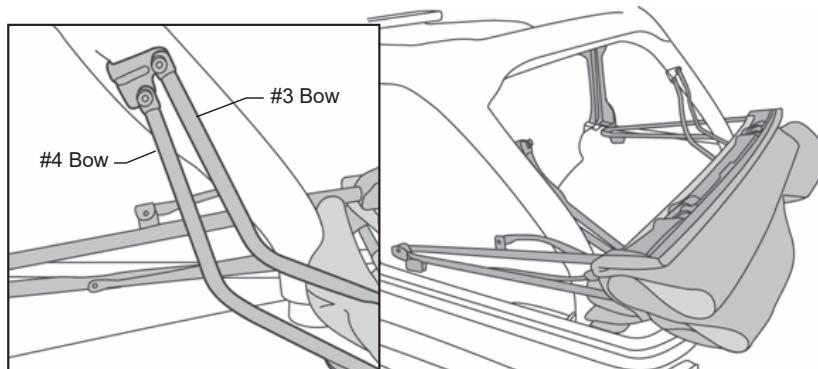
Open the Top Assembly and drape it over the cab of the vehicle.



## 14 Secure Top Fabric Assembly to Bow Mount Bracket

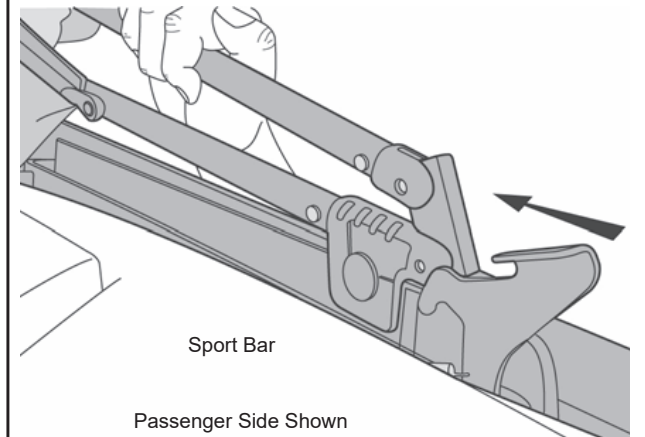
Place the Top Fabric Assembly on the back of the vehicle with the header on top.

Clip the #4 Bow pivot knuckle into the forward lower hole in the Bow Mount Bracket. Clip the #3 Bow pivot knuckle into the top slot in the Bow Mount Bracket.



## 16 Secure Pivot Assembly

Slide the Pivot Assembly on the Top along the track above the door until it latches into place.



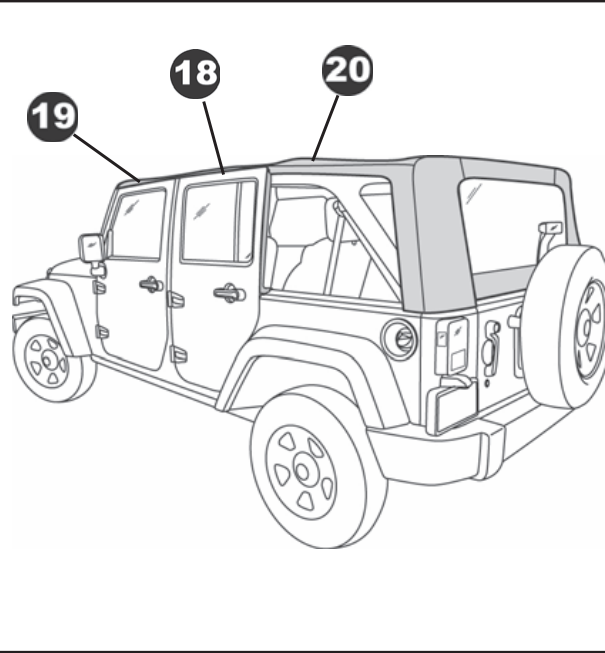
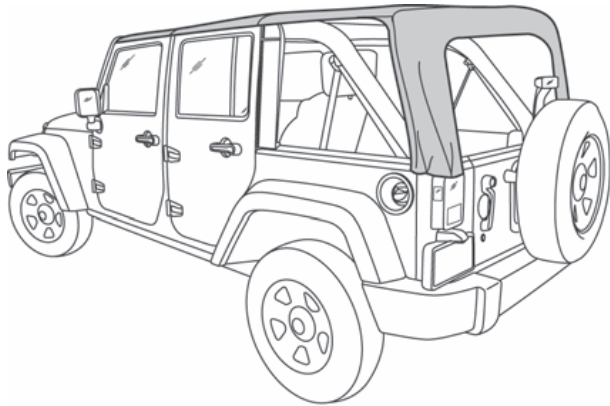


# Installation Instructions Factory Style Bow Kit

Vehicle Application:  
Jeep® JK Wrangler Unlimited 2007-2018  
Part Number 55001

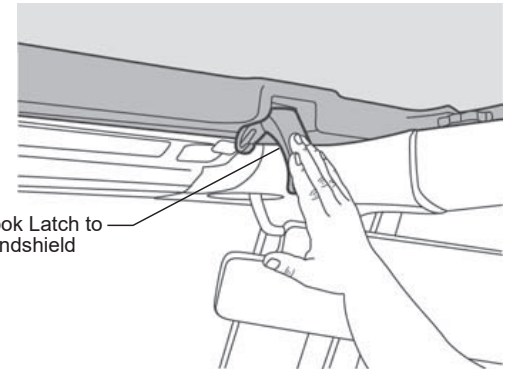
## 17 Drape Top Fabric over Bows

Pull the fabric up over the bow assembly.



## 19 Secure Header

Close the front of the Top and secure the latches on the header to the windshield.

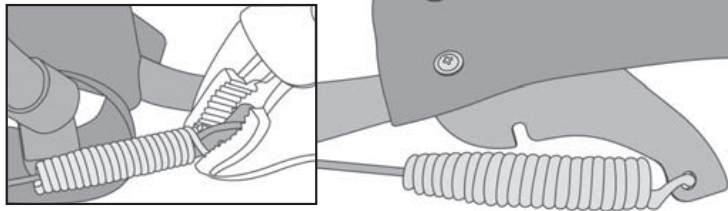
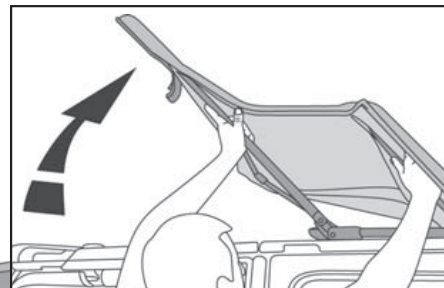


Hook Latch to  
Windshield

View from Inside Vehicle

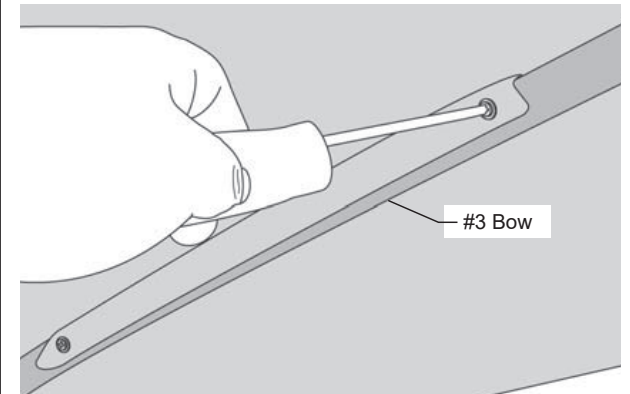
## 18 Secure Cable Spring

Fold the Header back to reduce tension on the top. Secure Cable Spring to bracket on bow and crimp spring.



## 20 Secure Top Fabric to #3 Bow

Once the top is in place, locate the flaps sewn inside the top near the #3 Bow. Use four (4) #8 x 1/2" Pan Head Washer Screws to secure the flaps to the #3 Bow.



#3 Bow

View from Inside Vehicle

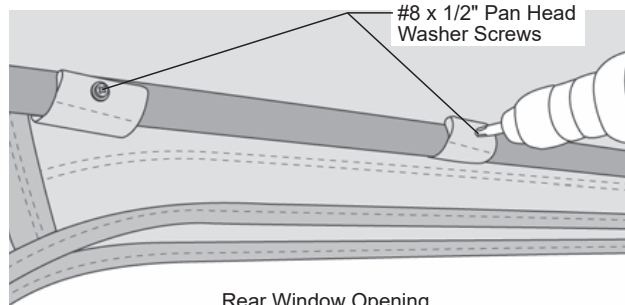


# Installation Instructions Factory Style Bow Kit

Vehicle Application:  
Jeep® JK Wrangler Unlimited 2007-2018  
Part Number 55001

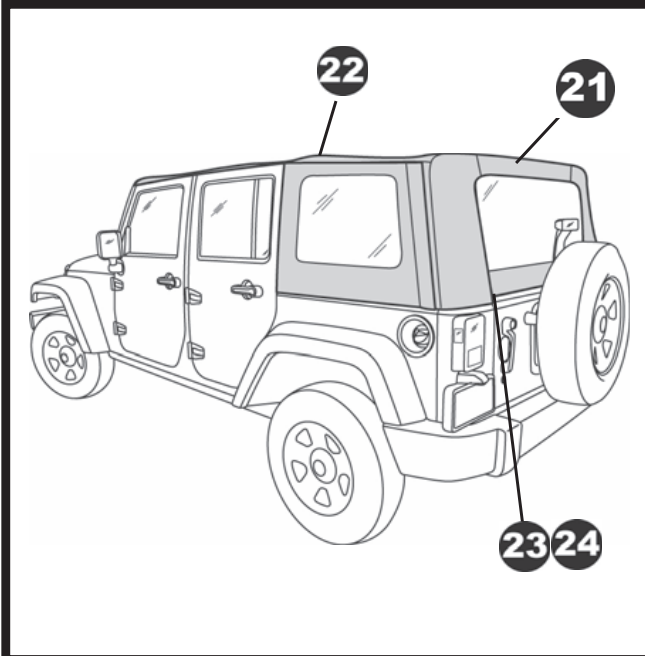
## 21 Secure Rear Bow

Locate the four (4) flaps sewn inside the top above the rear window opening. Install a #8 x 1/2" Pan Head Washer Screw to secure each flap to the Rear Bow.



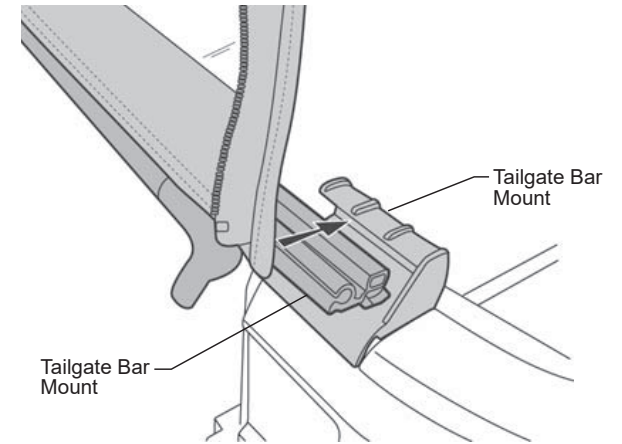
Rear Window Opening

View from Inside Vehicle



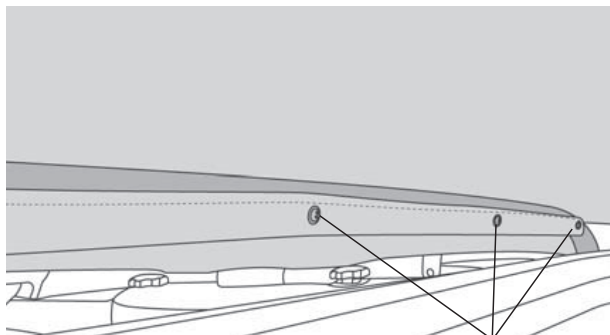
## 24 Secure Tailgate Bar

Slide the Tailgate Bar into the Tailgate Bar Mounts on each side of the tailgate opening.



## 22 Secure #2 Bow

Locate the flaps inside the top in the center. Wrap them around the #2 Bow and install five (5) #8 x 1/2" Pan Head Washer Screws.

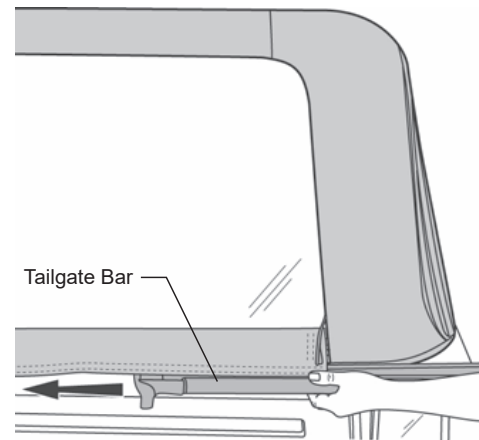


#8 x 1/2" Pan Head Washer Screws

View from Inside Vehicle

## 23 Install Tailgate Bar

Slide the channel in the Tailgate Bar onto the tubing along the bottom of the Rear Window on the inside.





## Warranty Information Trektop NX Glide 2-Door

Vehicle Application:  
Jeep® JK Wrangler Unlimited 2007-2018  
Part Number 55001

### WHAT BESTOP WARRANTS

Subject to the terms and conditions of sale, including any terms and conditions set forth by Bestop, Inc. ("Bestop" or "us" or "we") in our then-current terms of sale on our website (collectively, the "Terms"), Bestop represents and warrants that: the covered products listed in the "Covered Products and Warranty Periods" section (a "Product") will substantially be free from defects in materials and workmanship for the specified warranty periods set forth in that section.

### THE WARRANTY IS LIMITED AND CONDITIONAL

This warranty applies to the original purchaser of the Product only. The warranty is valid only as long as the original retail purchaser owns the vehicle upon which the Product is installed. The warranty expires should the Product be removed from the original vehicle or if the original vehicle is transferred to another owner. This warranty is not transferable or assignable. The warranty does not apply to Product bought from auction-style or price-bid websites.

THE LIMITED WARRANTY AND STATED REMEDIES ARE SOLE AND EXCLUSIVE AND IN LIEU OF ALL OTHER WARRANTIES AND REMEDIES, AND COMPANY EXPRESSLY DISCLAIMS ALL IMPLIED OR STATUTORY OR OTHER WARRANTIES, INCLUDING WITHOUT LIMITATIONS WARRANTIES OF MERCHANTABILITY, NON-INFRINGEMENT OR FITNESS FOR A PARTICULAR PURPOSE. IN NO EVENT WILL COMPANY BE LIABLE FOR ANY SPECIAL, INCIDENTAL, CONSEQUENTIAL, PUNITIVE, INDIRECT OR EXEMPLARY DAMAGES OF ANY KIND, INCLUDING LOST PROFITS OR REVENUE, HOWEVER CAUSED, WHETHER FOR BREACH OR REPUDIATION OF CONTRACT, TORT, BREACH OF WARRANTY, NEGLIGENCE, OR OTHERWISE, WHETHER OR NOT COMPANY WAS ADVISED OF THE POSSIBILITY OF SUCH LOSS OR DAMAGES.

Some states do not allow exclusion or limitation, so this may not apply to you. This warranty gives you specific legal rights, and you may have other rights which vary from state to state.

### EXCLUSIONS TO THE WARRANTY

The Limited Warranty excludes, and Bestop is not liable in any way for any warranty claims, damages, or defects related to:

- Misuse, abuse, accidents, vandalism, negligence, fire, or improper installation or modification, or improper or inadequate maintenance;
- Failure to comply with any Product documentation, Bestop instructions, or applicable law or regulations; use in extreme conditions
- Force Majeure including but not limited to, earthquake, hurricane, tornado, flooding, or other disasters natural or man-made, civil unrest, strikes, declared or undeclared war, or lack of performance by, or discontinued product of, supply chain partners whose products, software, operations or management is beyond the control of Bestop;
- Damage resulting in breakage (including without limitation, spontaneous breakage, accidental breakage or breakage by any other means) of a Product or any component part;
- Damage to vinyl windows due to misuse, or cracking due to varying weather conditions.

### YOUR SOLE REMEDY

During the applicable warranty period, Bestop shall, at its option, either repair or replace any Product that it confirms, in its discretion, is non-compliant with the warranties herein. Bestop will not pay for labor charges associated with installation or removal of the Product. Should a specific Product be discontinued, Bestop may, at its option, replace the discontinued Product with a current product or like product.

Please retain your proof of purchase. Original proof of purchase for the Product must accompany any warranty claim. If you have a warranty claim, first you must email Bestop Customer Service at [csbestop@bestop.com](mailto:csbestop@bestop.com) for instructions. All claims must be emailed to [csbestop@bestop.com](mailto:csbestop@bestop.com) within 30 days of discovery of a defective Product, but in no event later than thirty days after the end of the applicable Warranty Period (the "Warranty Notice Period"). Warranty claims made after the Warranty Notice Period are null and void and Bestop shall have no responsibility with respect to such claims.

THIS SECTION SETS FORTH BESTOP'S SOLE OBLIGATION & YOUR SOLE REMEDY WITH RESPECT TO ANY DEFECTS OR OTHER PRODUCT ISSUE. ANY PRODUCTS REPLACED UNDER TERMS OF THIS WARRANTY WILL BE COVERED UNDER TERMS & BALANCE OF THE DURATION OF THE ORIGINAL LIMITED WARRANTY FOR SUCH PRODUCT.



## Warranty Information Trektop NX Glide 2-Door

Vehicle Application:  
Jeep® JK Wrangler Unlimited 2007-2018  
Part Number 55001

**COVERED PRODUCTS AND WARRANTY PERIODS:** The warranty time periods are as follows for Products manufactured by Bestop:

### **BESTOP® LIMITED LIFETIME WARRANTY**

Trektop® Pro Twill Fabric Top Sunrider® for Hardtop Twill Fabric Top  
Trektop® NX Glide Twill Fabric Top Replace-a-Top™ Twill Fabric Top  
Trektop® NX Twill Fabric Top Supertop® NX Twill Fabric Top  
EZFold™ Soft Tonneaus Floor & Cargo Liners  
ZipRail™ Soft Tonneaus Pet Barriers  
EZRoll™ Soft Tonneaus

### **BESTOP® 5-YEAR LIMITED WARRANTY**

Trektop® NX Glide™ Top (non-Twill) Sunrider® for Hardtop (non-Twill) Replace-a-Top™ Top (non-Twill) Trektop® NX Top (non-Twill)  
Sailcloth Replace-a-Top™ Supertop® NX Top (non-Twill)  
Tigertop™ and Halftop™ Supertop® Classic Soft Top Sunrider® Complete Soft Top Supertop® for Truck  
EZ Fold Hard Tonneau

### **BESTOP® 3-YEAR/100K MILES LIMITED WARRANTY**

Powerboard® & Powerboard® NX  
Trekstep®, Side Mount  
Trekstep®, Rear Mount

### **BESTOP® 3-YEAR LIMITED WARRANTY**

Pavement Ends Sprint Top

### **BESTOP® 2-YEAR LIMITED WARRANTY**

Trektop® Classic Soft Top  
RoughRider™ Soft Storage

### **BESTOP® 1-YEAR LIMITED WARRANTY**

All other Bestop® & Pavement Ends™ products not specified above.

**For further information or request for warranty work, please contact:**

**Bestop Inc. Customer Service**

**Toll-Free: (800)845-3567**

**E-mail: [customerservice@Bestop.com](mailto:customerservice@Bestop.com)**

**Website: [www.Bestop.com](http://www.Bestop.com)**