











## Bow Kit Installation Instructions

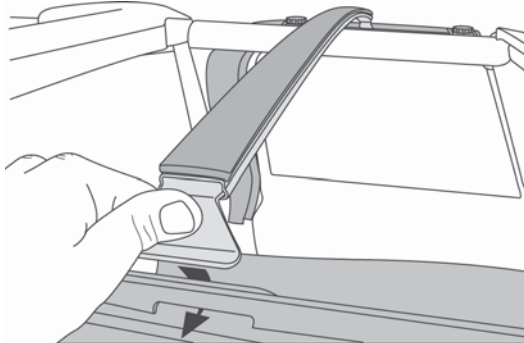
---

### 14 Install Top Arch

Insert one end of the top arch in to the slot in the middle of one of the Door Surrounds. Push the other end inward to flex the bow and insert it into the slot on the other side of the vehicle.

**NOTE**

Remove adhesive paper from Top Arch before installing.



**For Bestop Warranty Information, Please go to;**  
<https://www.bestop.com/help/warranty-information/>

