



Installation Instructions Trektop NX 2-Door

Vehicle Application:
Jeep® Wrangler JK 2007-2018
Part Number 56452

Installation Tips

Before you begin installing your new Trektop NX, please read all the instructions thoroughly.

For easier installation, the top should be installed at a temperature above 72°F. Below this temperature, the fabric may contract an inch or more, making it difficult to fit the vehicle.

It is normal for the fabric to contract and wrinkle when stored in the shipping carton. Within a few days after installation, the fabric will relax and the wrinkles will disappear.

WARNING Do not rely in any way on the components of this product to protect against injury or death in the event of an accident. Never operate the vehicle in excess of manufacturer’s specifications.

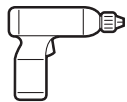
Read and follow, precisely, all installation instructions provided when installing this product. Failure to do so may result in a poor fit and could place occupants of the vehicle in a potentially dangerous situation.

WEAR SEAT BELTS AT ALL TIMES

CAUTION Safety glasses should be worn at all times when installing this product.



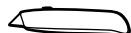
Tools



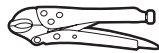
Drill Driver & #2 Phillips Bit



#2 Phillips Screwdriver



Utility Knife



Vise-Grips



Adjustable Wrench



3mm & 5/32" Allen Wrenches



Sockets: 3/8" 8mm & 13mm



T40 Torx Driver



Safety Glasses



3/8" Wrench



Ratchet

Installation Time



4 hours

Skill Level



3 - Moderately Difficult

Support

We're here to help! Go to: <https://www.bestop.com> and click on **Need Help?**



<https://www.bestop.com/video-library>



Installation Instructions Trektop NX 2-Door

Vehicle Application:
Jeep® Wrangler JK 2007-2018
Part Number 56452

Sugerencias de Instalación

Antes de empezar a instalar esta unidad, lea atentamente todas las instrucciones.

Para un buen ajuste:

Para facilitar la instalación, el producto debe instalarse a temperaturas superiores a 72 °F (22 °C).

Por debajo de esta temperatura, la tela puede encogerse una pulgada o más, lo que dificultaría su ajuste al vehículo.

Es normal que la tela se contraiga o arrugue cuando está guardada en la caja de empaque. A los pocos días después de la instalación, la tela se relajará y las arrugas desaparecerán.



ADVERTENCIA

Este producto se diseñó principalmente para mejorar la apariencia del vehículo y proteger a los ocupantes de las condiciones climáticas comunes. De ninguna manera piense que los componentes de este producto pueden servir como medio de contención para los ocupantes del vehículo o que pueden protegerlos contra lesiones o la muerte en caso de accidente. Este producto no protegerá a los ocupantes contra caídas de objetos. Nunca conduzca este vehículo fuera de las especificaciones del fabricante.

USE LOS CINTURONES DE SEGURIDAD EN TODO MOMENTO

Lea y siga con precisión todas las instrucciones de instalación que se proporcionan para instalar este producto. Si no lo hace, podría producirse un mal ajuste que colocaría a los ocupantes del vehículo en una situación potencialmente peligrosa.



PRECAUCIÓN

Debe usar gafas protectoras en todo momento durante la instalación de este producto.

Conseils pour l'installation

Lire toutes les instructions au complet avant de commencer l'installation de cet assemblage.

Pour un ajustement sans problème :

Afin de faciliter l'installation, ce produit doit être installé à des températures au-dessus de 72 °F (22 °C).

Sous cette température, le tissu peut rétrécir d'un pouce (2,5 cm) ou plus, ce qui rendra l'ajustement sur le véhicule difficile.

Il est normal que le tissu rétrécisse et plisse pendant qu'il est dans la boîte d'expédition. En quelques jours après l'installation, le tissu se détendra et les plis disparaîtront.



AVERTISSEMENT

Ce produit est conçu principalement pour améliorer l'apparence du véhicule et pour protéger les occupants des conditions météorologiques usuelles. Ne jamais se fier aux composants de ce produit pour se protéger de blessures ou de la mort en cas d'accident. Ce produit ne protégera pas les occupants des chutes d'objets. Ne jamais utiliser le véhicule au-delà des caractéristiques techniques indiquées par le fabricant.

PORTER UNE CEINTURE DE SÉCURITÉ EN TOUT TEMPS

Lire et suivre, très fidèlement, toutes les instructions d'installation fournies lors de l'installation de ce produit. Ne pas suivre cette consigne peut causer une installation inadéquate et mettre les occupants du véhicule dans une situation potentiellement dangereuse.



MISE EN GARDE

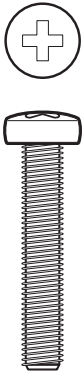
Des lunettes de sécurité doivent être portées en tout temps lors de l'installation de ce produit.



Installation Instructions Trektop NX 2-Door

Vehicle Application:
Jeep® Wrangler JK 2007-2018
Part Number 56452

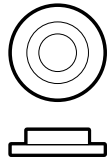
Parts List



M5 x 35mm Screw
Part #514.62
Qty. 2



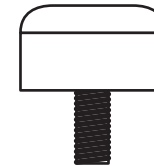
Pan Head
Washer Screw
Part #393.79
Qty. 8



Plastic Bushing
Part #473.40
Qty. 4



M5 Nylon Lock Nut
Part #308.62
Qty. 2



#8-32 Threaded
Stud Bumper
Part #538.96
Qty. 2



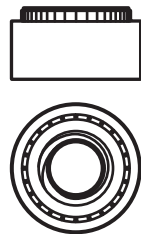
Rubber Tube
Part #544.58
Qty. 2



Button Head
Socket Cap Screw
Part #538.99
Qty. 2



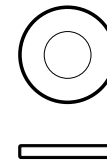
1/4" Flat Washer
Part #538.71
Qty. 4



Press-In Nut
Part #538.97
Qty. 2



#10-32
Machine Screw
Part #316.82
Qty. 4



Flat Washer
Part #575.27
Qty. 2



#10-32
Nylon Lock Nut
Part #316.94
Qty. 4



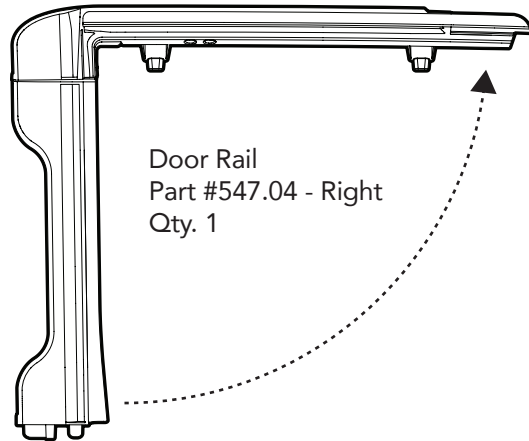
Zip Tie
Part #584.46
Qty. 4



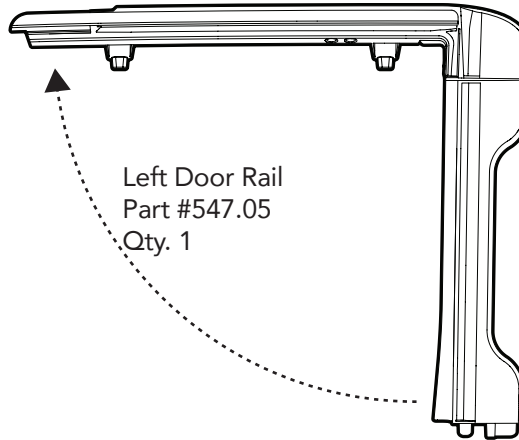
Installation Instructions Trektop NX 2-Door

Vehicle Application:
Jeep® Wrangler JK 2007-2018
Part Number 56452

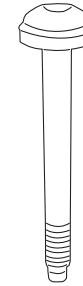
Parts List



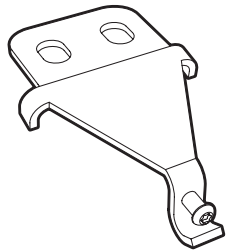
Door Rail
Part #547.04 - Right
Qty. 1



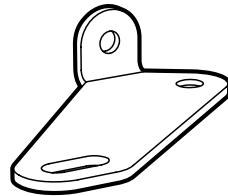
Left Door Rail
Part #547.05
Qty. 1



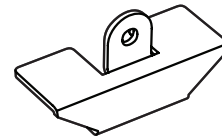
M8 x 80mm Screw
Part #532.23
Qty. 4



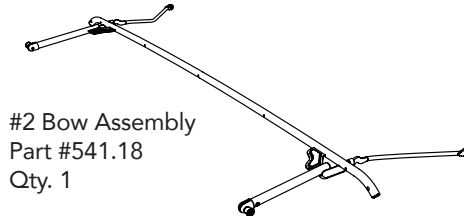
Cable Guide Bracket
Part #593.26
Qty. 2



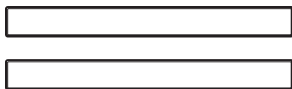
#2 Bow Pivot Bracket
Part #541.88 - Right (shown)
Part #541.87 - Left
Qty. 1 per side



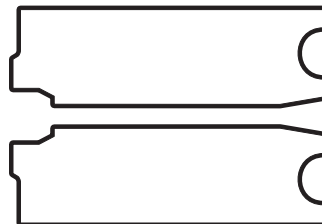
Sunrider Pivot Bracket
Part #545.74
Qty. 2



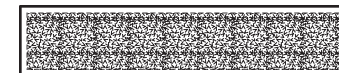
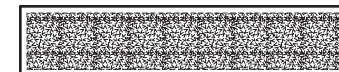
#2 Bow Assembly
Part #541.18
Qty. 1



Foam Tape Strips
Part #417.43
Qty. 2



Foam Seals
Part #457.76 - Right
Part #457.77 - Left
Qty. 1 per side



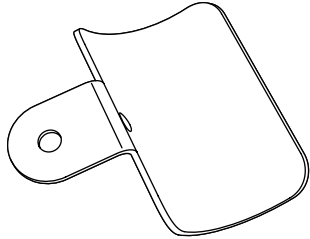
Adhesive Fabric Loop Strips
Part #606.91
Qty. 2



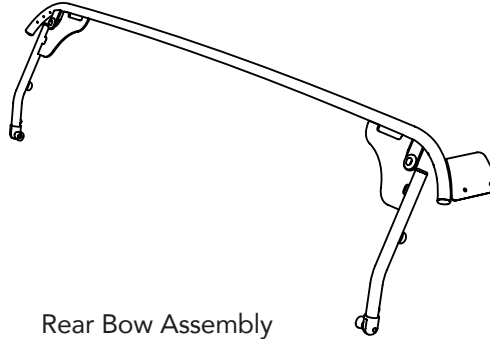
Installation Instructions Trektop NX 2-Door

Vehicle Application:
Jeep® Wrangler JK 2007-2018
Part Number 56452

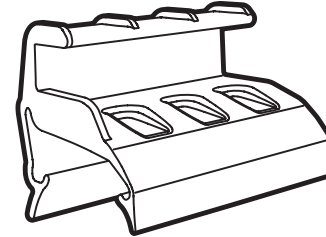
Parts List



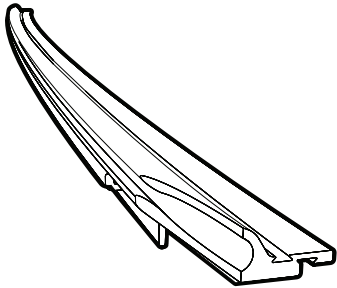
Pin-Point Bracket
Part #539.20
Qty. 2



Rear Bow Assembly
Part #547.30
Qty. 1



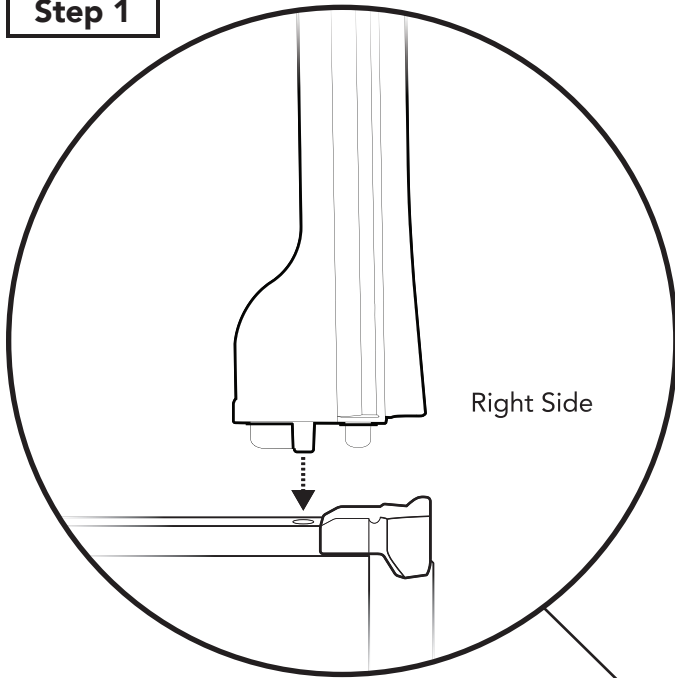
Tailgate Bar Mounts
Part #539.57 - Left (shown)
Part #539.56 - Right
Qty. 1



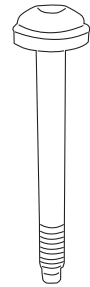
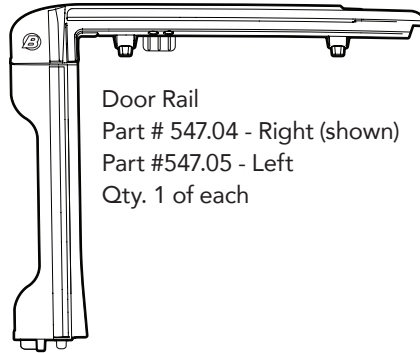
Tailgate Bar
Part #538.76
Qty. 1



Step 1

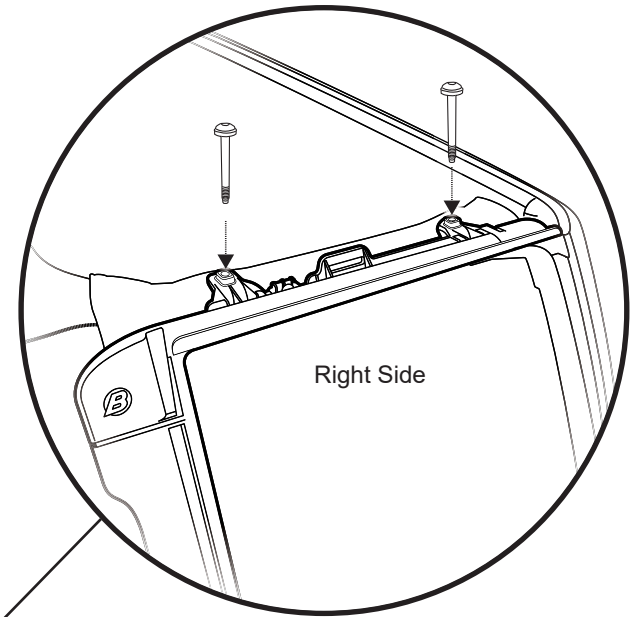


Parts



M8 x 80mm Screw
Part #532.23
Qty. 4

Step 2

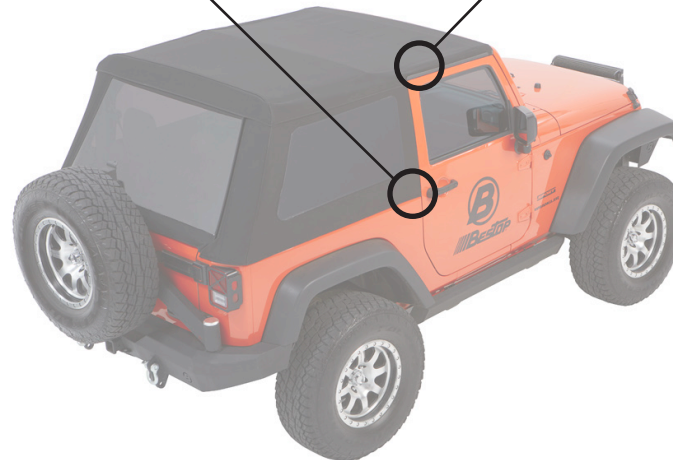


Open the passenger side Door.
Insert the pin in the bottom of the Right Door Rail into the hole in the belt rail behind the door opening. Press the channel along the top of the Door Rail around the horizontal sport bar.

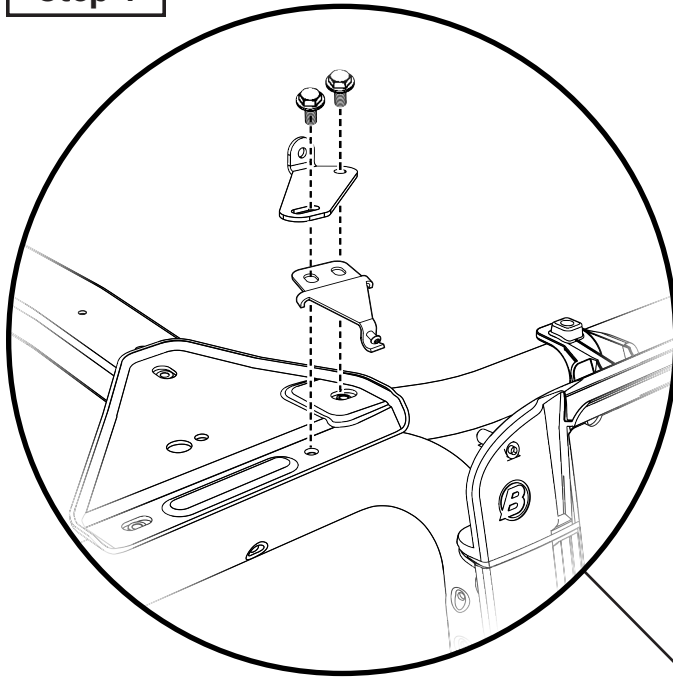
Repeat on the left side of the vehicle.

Insert one (1) M8 x 80mm Screw into each position on the Right Door Rail, and tighten to 55in\lbs (4.5ft\lbs).

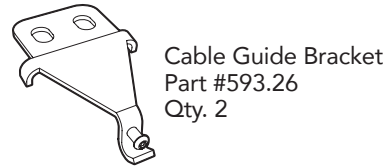
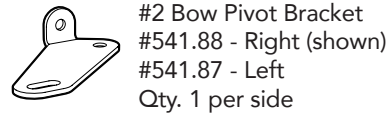
Repeat on the left side of the vehicle, with the Left Door Rail.



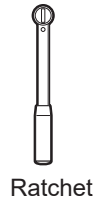
Step 1



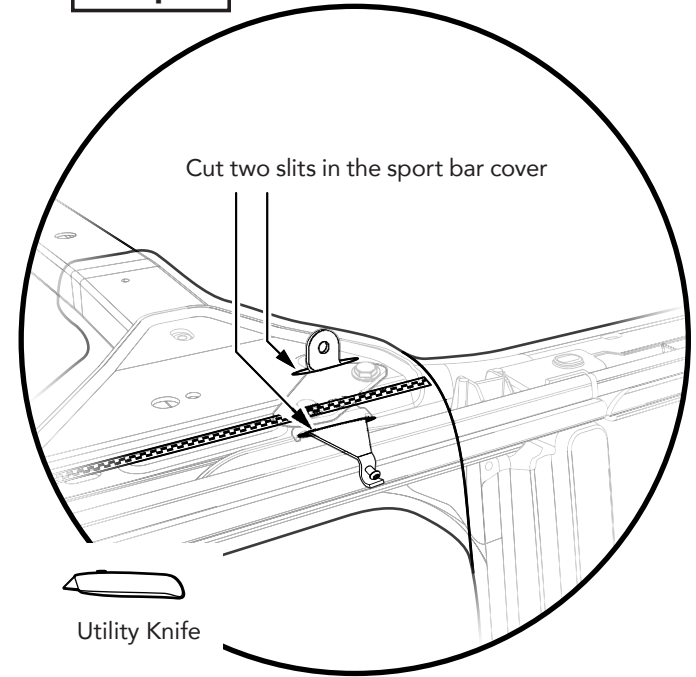
Parts



Tools



Step 2



Unzip the sport bar cover over the middle cross bar, to expose the sport bar corner plate, and two hex-head bolts.

Attach the Right #2 Bow Pivot Bracket and one (1) Cable Guide Bracket to the right side sport bar plate using the two pre-installed bolts.

Repeat on the left side of the Jeep.



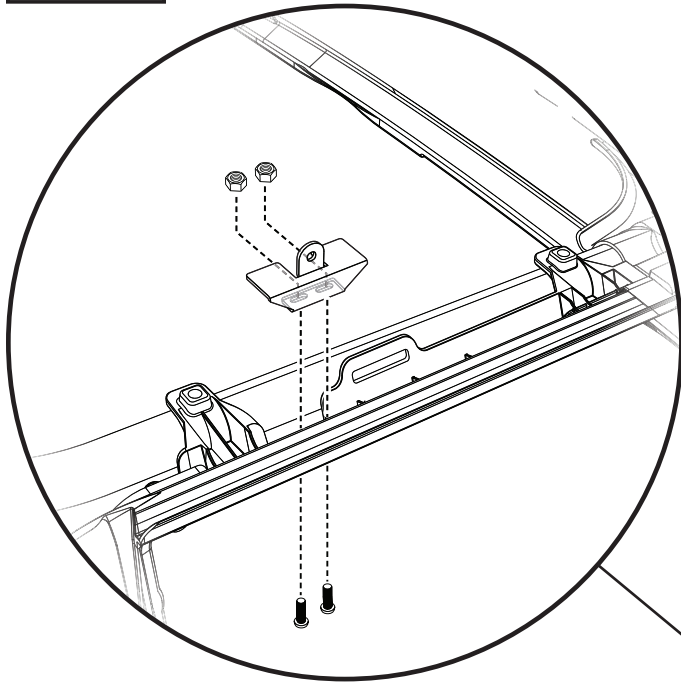
Zip the sport bar cover closed.

Locate the vertical tab on the #2 Bow Pivot Bracket, and cut a slit in the cover to allow this tab to protrude through the cover.

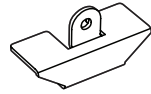
Locate the Cable Guide Bracket underneath the sport bar cover, and cut a slit in the cover to allow the bracket to protrude through the cover.

Repeat on the left side of the Jeep.

Step 1



Parts



Sunrider
Pivot Bracket
#545.74
Qty. 2



#10-32
Machine Screw
Part #316.82
Qty. 2 per side



#10-32
Nylon Lock Nut
Part #316.94
Qty. 2 per side

Tools

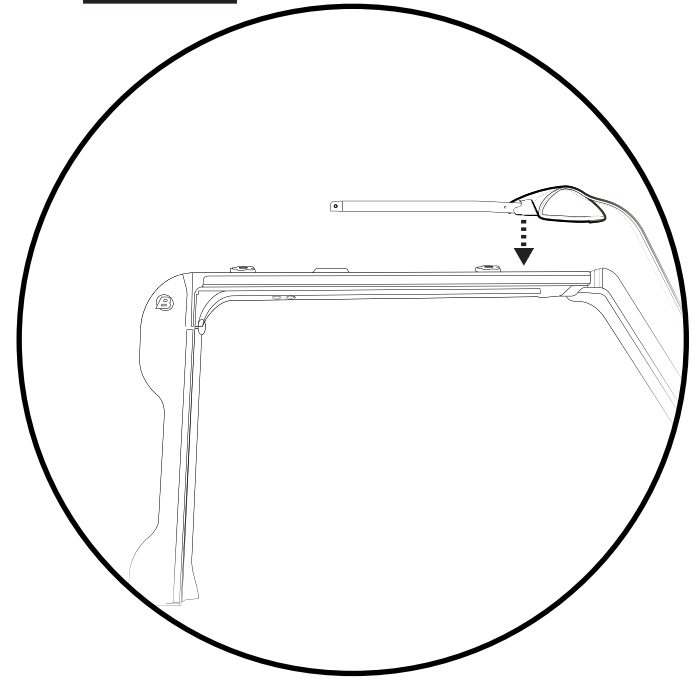


#2 Phillips
Screwdriver



3/8" Wrench

Step 2



Attach the right Sunrider Pivot Bracket to the Right Door Rail using two (2) Screws, and two (2) Nylon Lock Nuts.

Repeat on the left side of the vehicle.



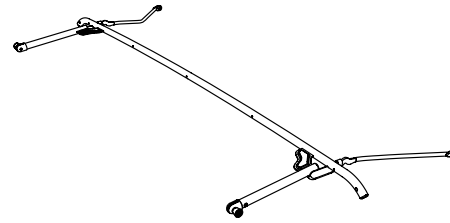
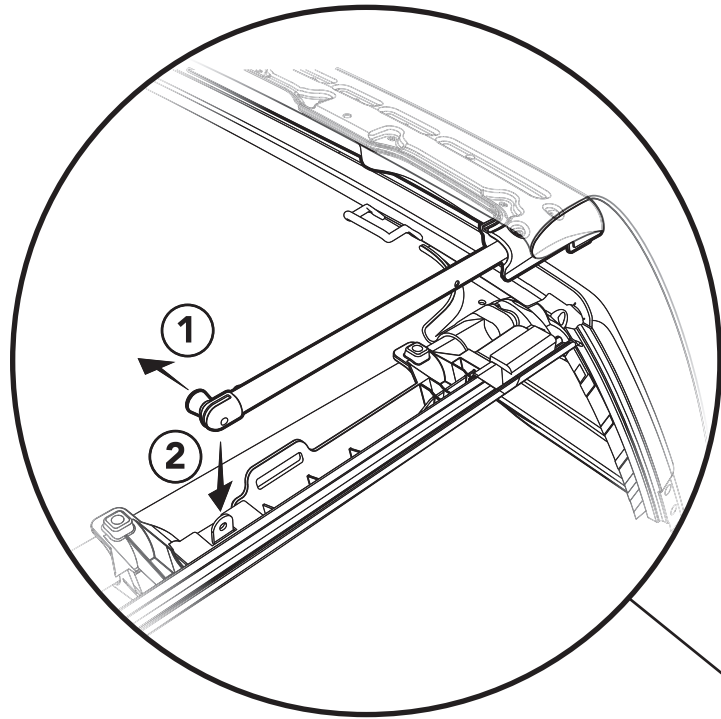
Lift the Header/Side Bow Assembly onto the top of the Jeep, with the Header sitting on top of the the Jeep windshield, and the farbic draped forward over the Jeep hood.

You may want to protect the finish of the Jeep by putting a blanket across the Jeep Hood.

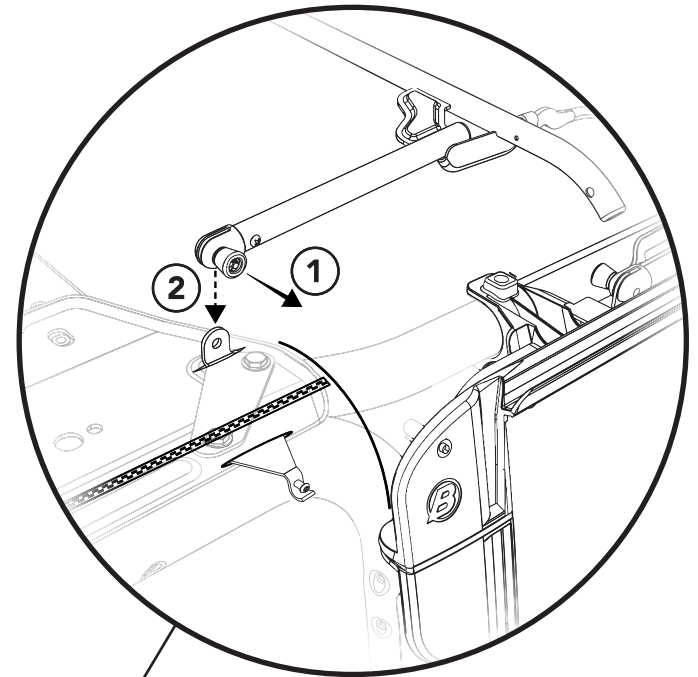
Step 1

Parts

Step 2



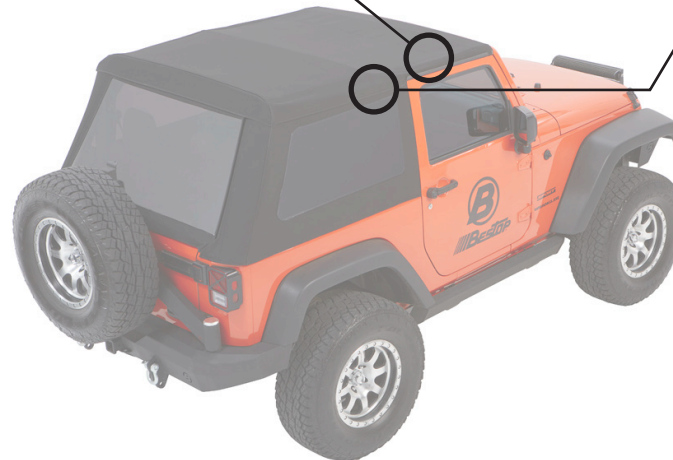
#2 Bow Assembly
#541.18
Qty. 1



Attach the right Side Bow to the Right Sunrider Pivot Bracket.

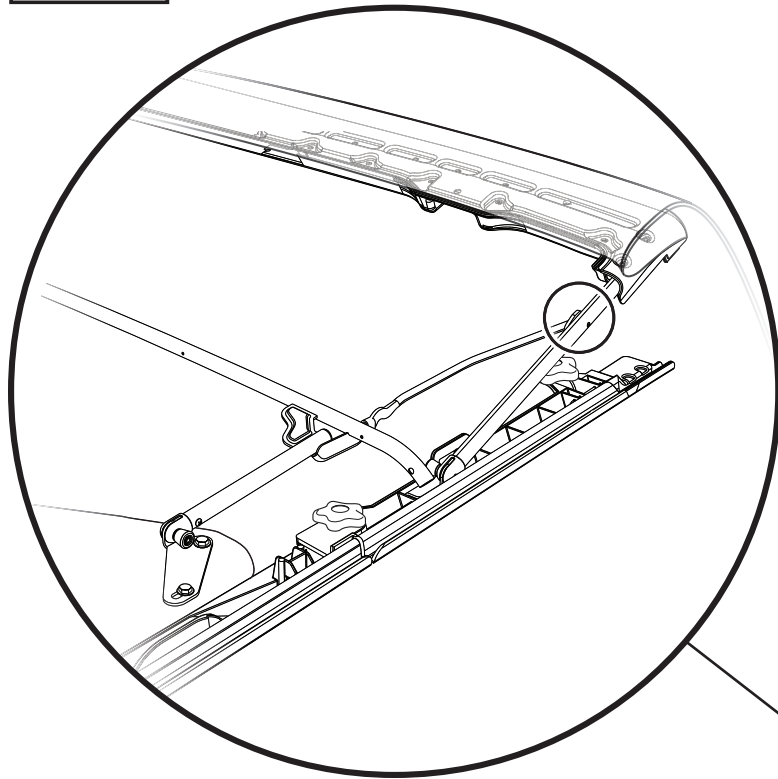
- ① Pull out on the spring catch release knob;
- ② Slide the slotted end of the Side Bow over the vertical tab on the Side Bow Pivot Bracket, and release the knob, making sure that the catch snaps into place on the Pivot Bracket tab.

Repeat on the left side of the Jeep.







- ① Pull out on the knob to release the spring-loaded catch on the #2 Bow rear legs;
 - ② Slide the slotted end of the catch over the #2 Bow Pivot Bracket tab protruding from the sport bar cover.
- Make sure that the spring catch snaps into place on each #2 Bow Pivot Bracket tab.




Step 1



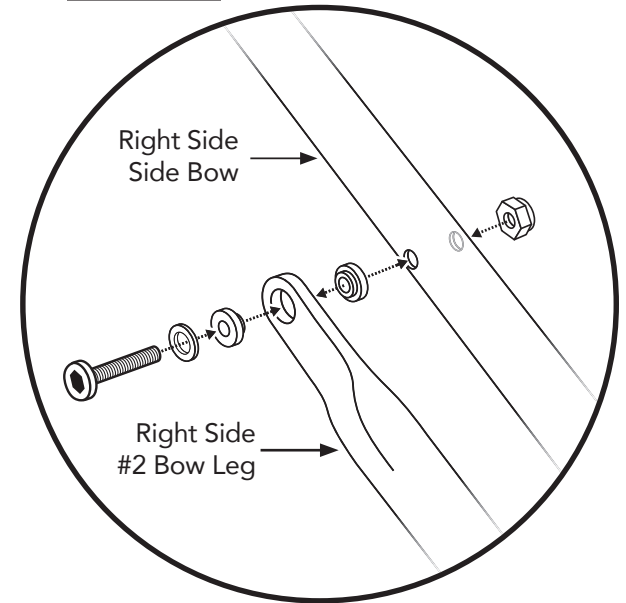
Parts

-  M5 x 35mm Screw #514.62 Qty. 2
-  Plastic Bushing #473.40 Qty. 4
-  Washer Part #575.27 Qty. 2
-  M5 Nylon Lock Nut #308.62 Qty. 2

Tools

-  3mm Allen Wrench
-  8mm Socket
-  Ratchet

Step 2



Lift the Side Bow/Header up and locate the hole in the right Side Bow near the Header.

Using this hole in the Side Bow, attach the #2 Bow to the right Side Bow.

Repeat on the left side of the Jeep.



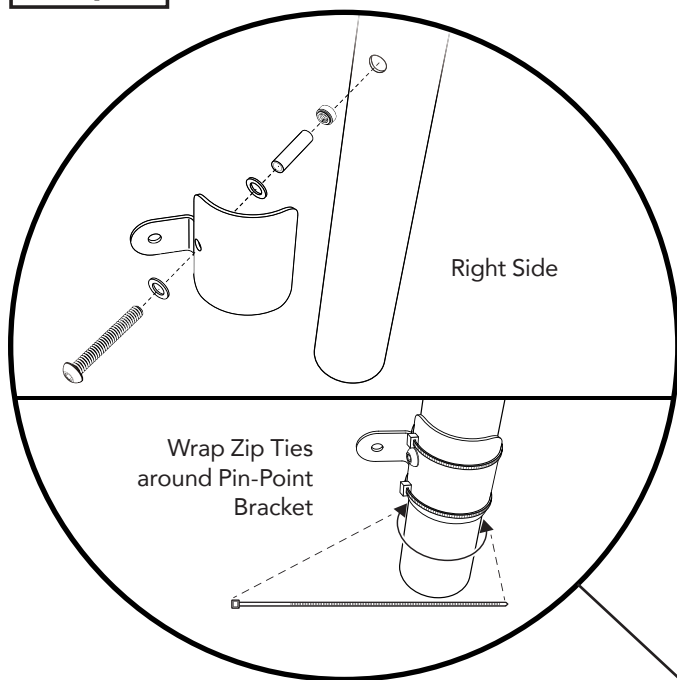
Secure the #2 Bow to the Side Bow using one (1) Machine Screw, two (2) Plastic Bushings, one (1) Nylon Lock Nut and one (1) Washer on each side of the vehicle.

The Plastic Bushings go on both sides of the flat portion of the #2 Bow leg.

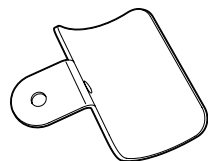
The Nylon Lock Nut goes on the inboard side of the Side Bow.

NOTE: Do not overtighten, to avoid damaging the plastic bushings.

Step 1



Parts



Pin-Point Bracket
Part #539.20
Qty. 2



Button Head
Socket Cap Screw
Part #538.99
Qty. 2



1/4" Flat Washer
Part #538.71
Qty. 4



Rubber Tube
Part #544.58
Qty. 2

Tools



5/32"
Allen Wrench



Utility Knife



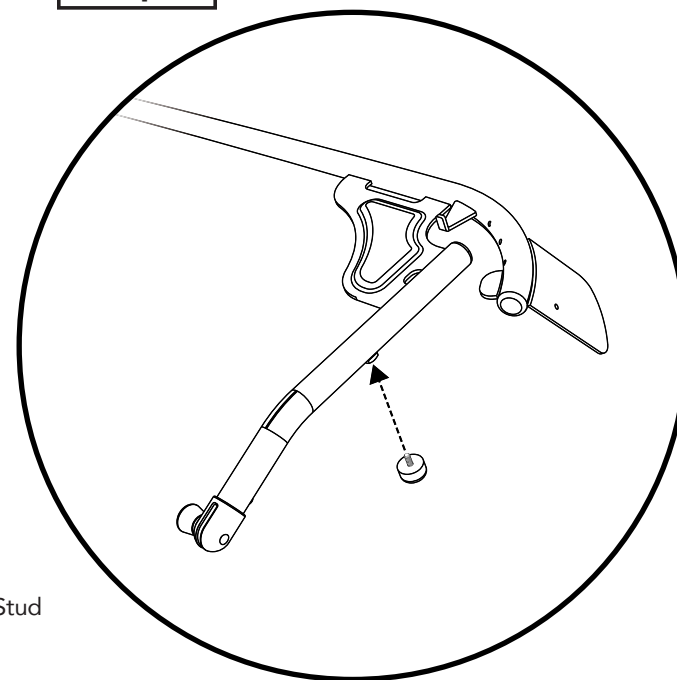
Press-In Nut
Part #538.97
Qty. 2



#8-32 Threaded Stud
Bumper
Part #538.96
Qty. 2

Zip Tie 
Part #584.46
Qty. 4

Step 2



Attach a Rubber Bumper to the underside of each rear leg of the Rear Bow Assembly.

Unzip the sport bar cover all the way back on both down tubes. Place the Pin Point Bracket over the existing hole in the rear downtube of the sport bar. Make sure the Pin Point Bracket wraps around the outside of the sport bar.

Fasten the Pin Point Bracket to the sport bar using one (1) Button Head Socket Screw, two (2) 1/4" Flat Washers, one (1) Rubber Tube, and one (1) Press-In Nut per side.

Make sure that the Press-In Nut has the ridged side facing the Rubber Tube.

Tighten the Button Head Socket Screw to firmly seat the Pin Point Bracket to the sport bar, wrap two Zip Ties around the top and bottom of the Pin-Point Bracket and sport bar, trim excess off, and replace the sport bar cover.

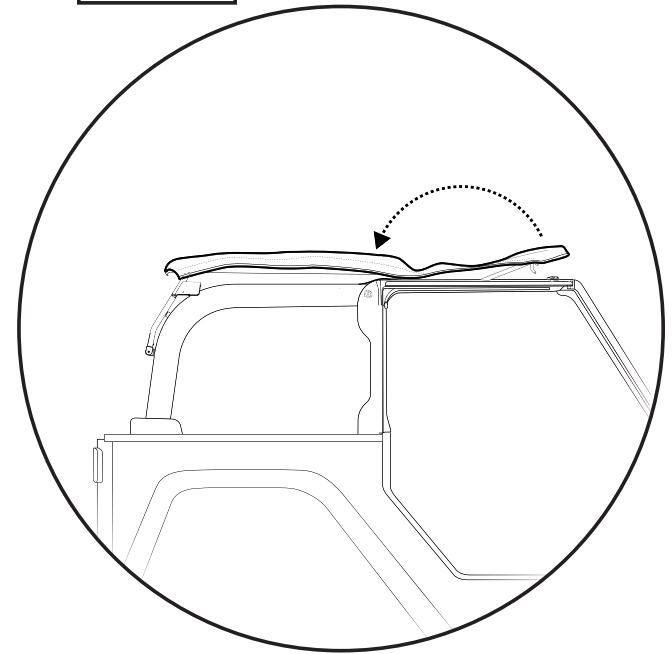
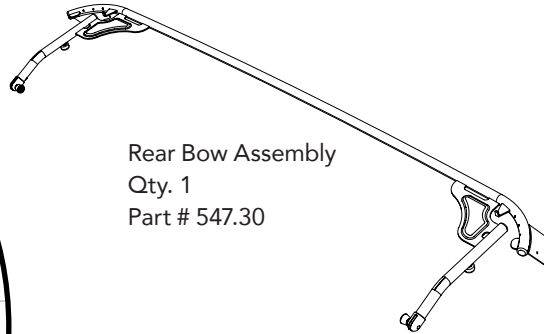
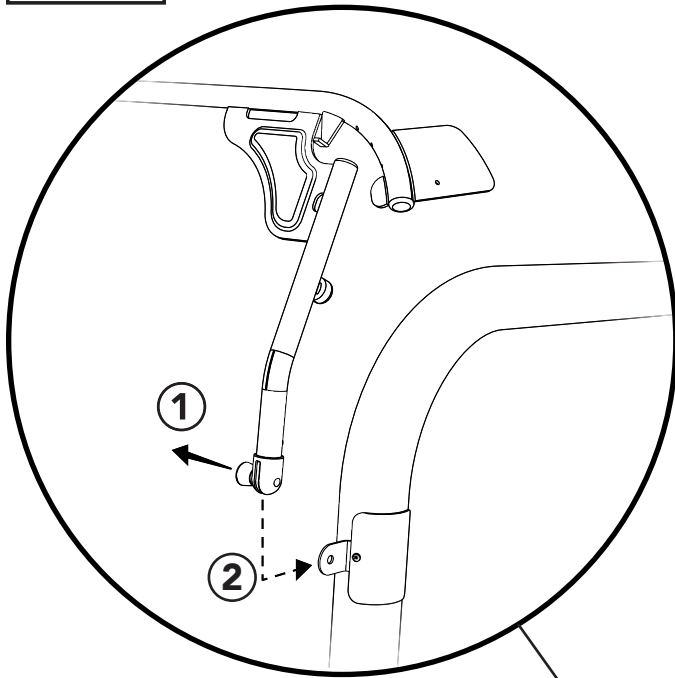
Before zipping the sport bar cover back up, locate the Pin Point Bracket tab underneath the cover, and using a utility knife, make a slit in the cover to allow the tab to protrude through the cover. Zip the sport bar cover closed on both down tubes.



Step 1

Parts

Step 2



Attach the Rear Bow Assembly to the Pin Point Bracket on the rear downtube of the sport bar by pulling out on the spring catch release knob, and sliding the catch over the protruding tab of the Pin Point bracket as shown in the diagram above.

Repeat for the left side.

Lift up the fabric and drape it back over the top of the Jeep, pulling it back and over the top of the Rear Bow Assembly.

Open the Sunrider. Fold the Sunrider back from the front pivot point, resting the front portion of the top on the rear portion.



Step 1

Step 2

Parts

-  Pan Head Washer Screw
- Part # 393.79
- Qty. 8

- Adhesive Fabric Loop Strip
- Part # 606.91
- Qty. 2



Step 3

Tools

- 
- #2 Phillips Screwdriver

Step 1

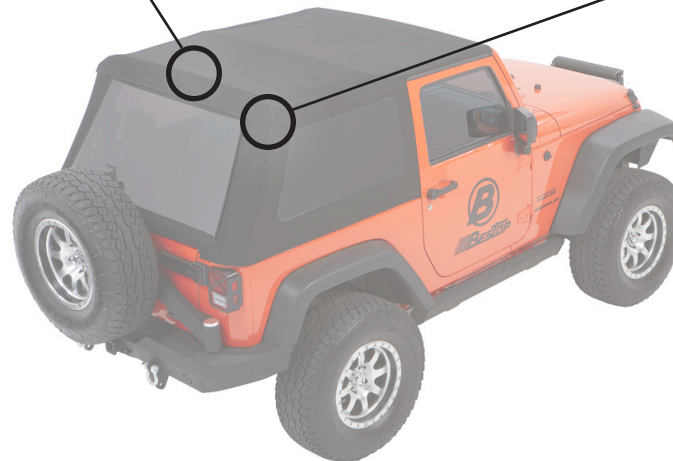
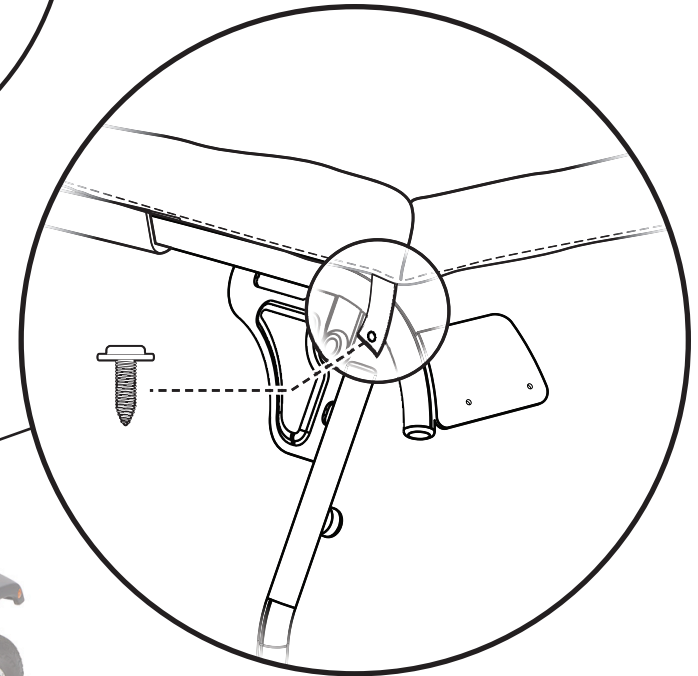
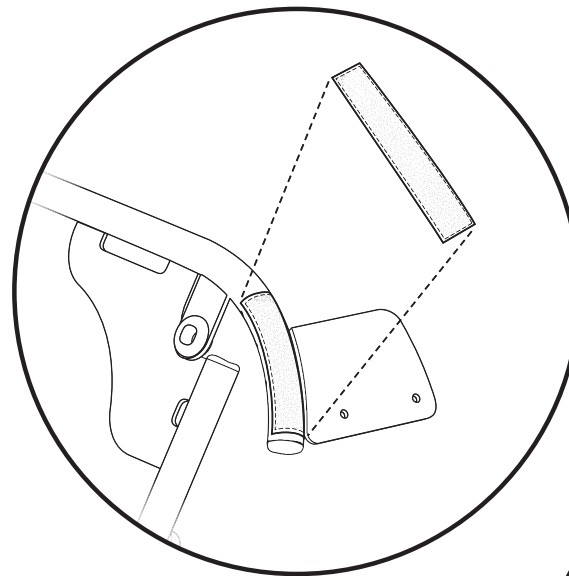
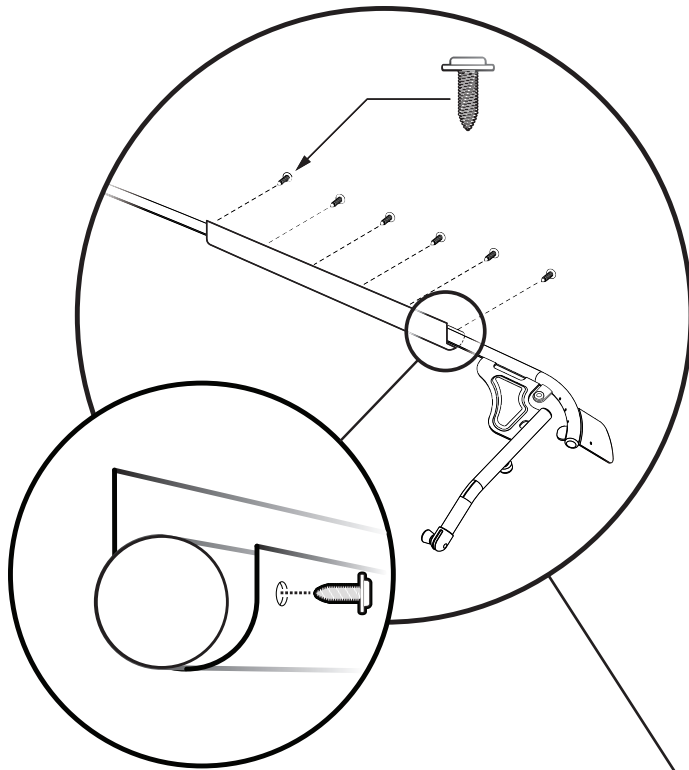
Attach the long fabric flaps on the inside of the fabric top to the Rear Bow Assembly. Wrap the flap around the back side and underneath the Rear Bow, and secure the flap to the front side of the Rear Bow using six (6) Pan Head Washer Screws.

Step 2

Attach one (1) Adhesive Fabric Loop Strip to each end of the Rear Bow as shown. The Loop Strips should align with the Hook Strips on the underside of the fabric top.

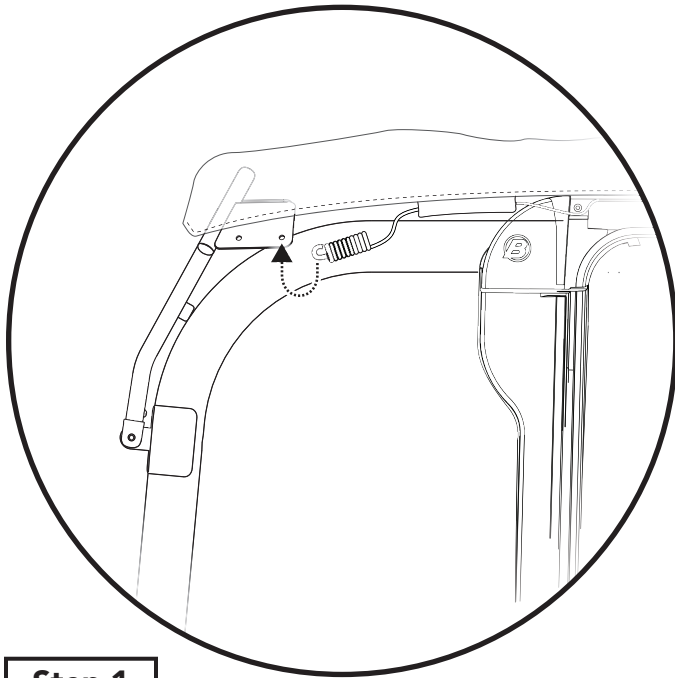
Step 3

Locate the small fabric flap at each rear corner of the fabric top, and attach the flap to the inner hole in the Rear Bow Assembly, using one (1) Pan Head Washer Screw per side.



Section 9 Attach Cable Spring to Rear Bow

Step 1



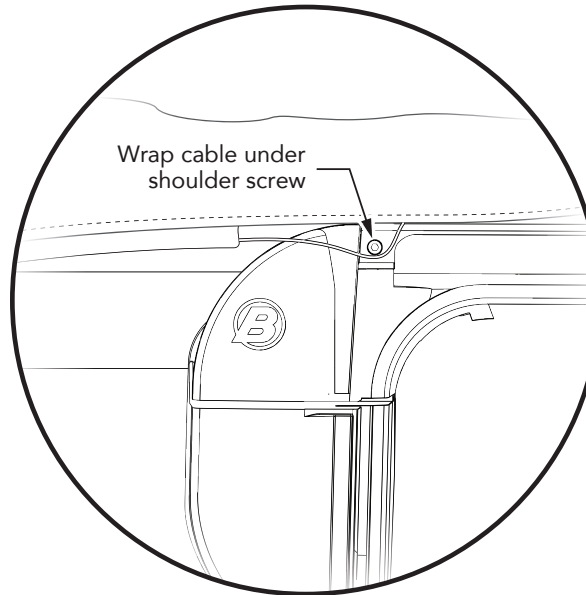
Step 1

Attach the free end of the Cable Spring to the front hole in the Rear Bow corner plate, just above the bend in the rear leg of the sport bar.

Step 2

Wrap the cable under the protruding shaft of the Shoulder Screw at the top of the Door Rail.

Step 2

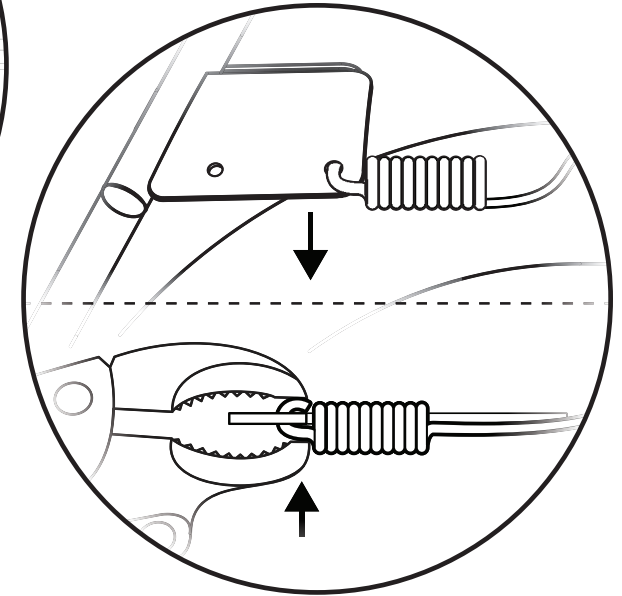


Tools



Vise-Grips

Step 3



Step 3

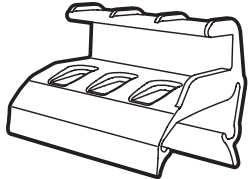
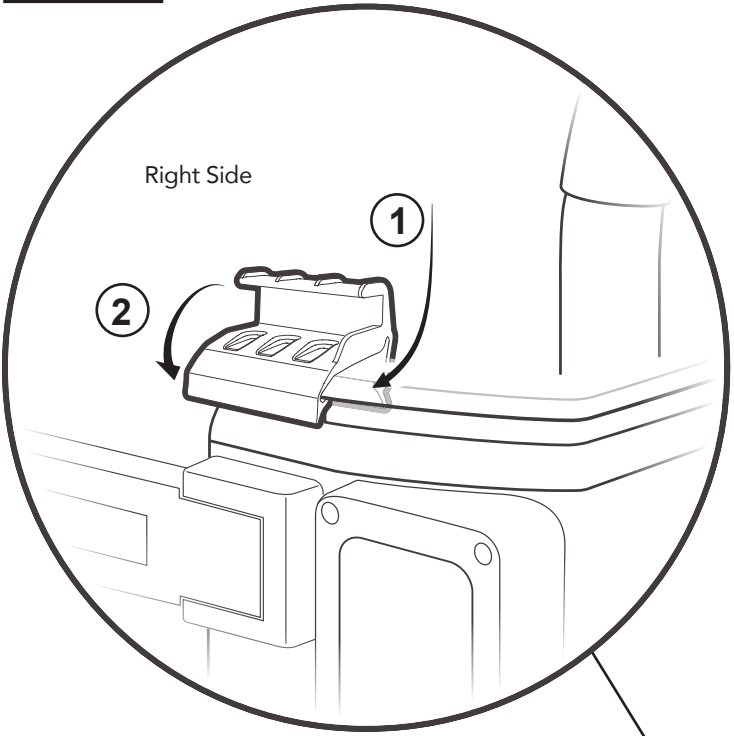
Crimp the end of the spring where it passes through the hole in the Rear Bow corner plate, to prevent it from coming loose.

Right side shown. Repeat on the left side of the Jeep.



Step 1

Parts



Tailgate Bar Mounts
Qty. 1 of each
Part # 539.56 -Right (shown)
Part # 539.57 - Left

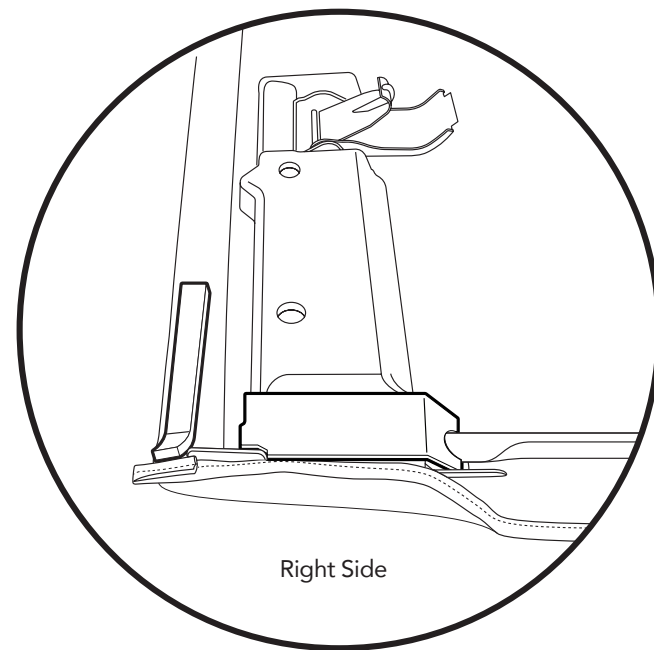
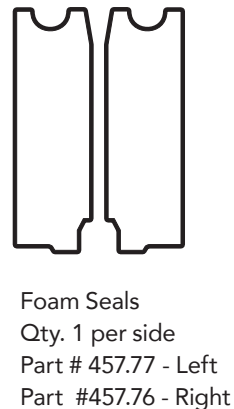
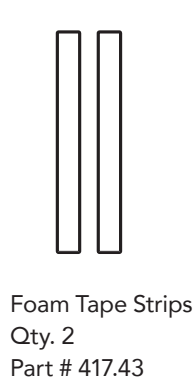
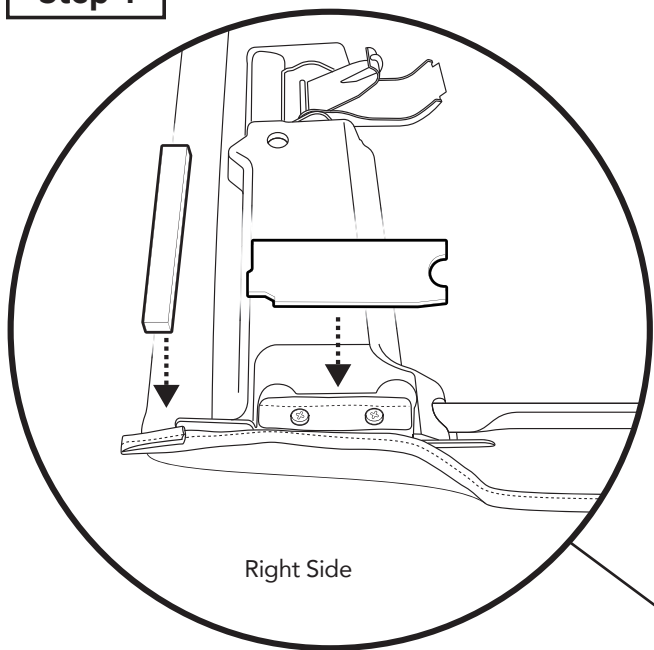
Locate the left and right Tailgate Bar Mounts. Each mount snaps onto the Jeep belt rail just outboard of the tailgate opening.

Snap each mount into place by hooking the inner catch portion of the mount under the belt rail on the inside, and then rolling the mount downward until it snaps into place under the bottom edge of the outside belt rail.



Step 1

Parts



With the Sunrider folded back, locate the two (2) Foam Seals and the two (2) Foam Tape Strips.

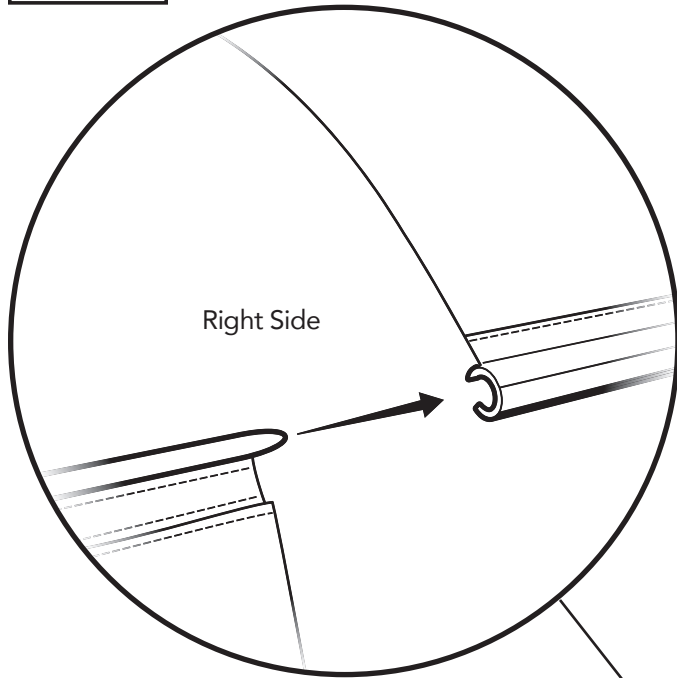
Remove protective liner from the back side of the Foam Seal and place the Foam Seal in the location shown in the diagram.

Remove protective liner from the back side of the Foam Tape Strip and place the Foam Tape Strip in the location shown in the diagram.

Repeat for the left side of the vehicle.



Step 1

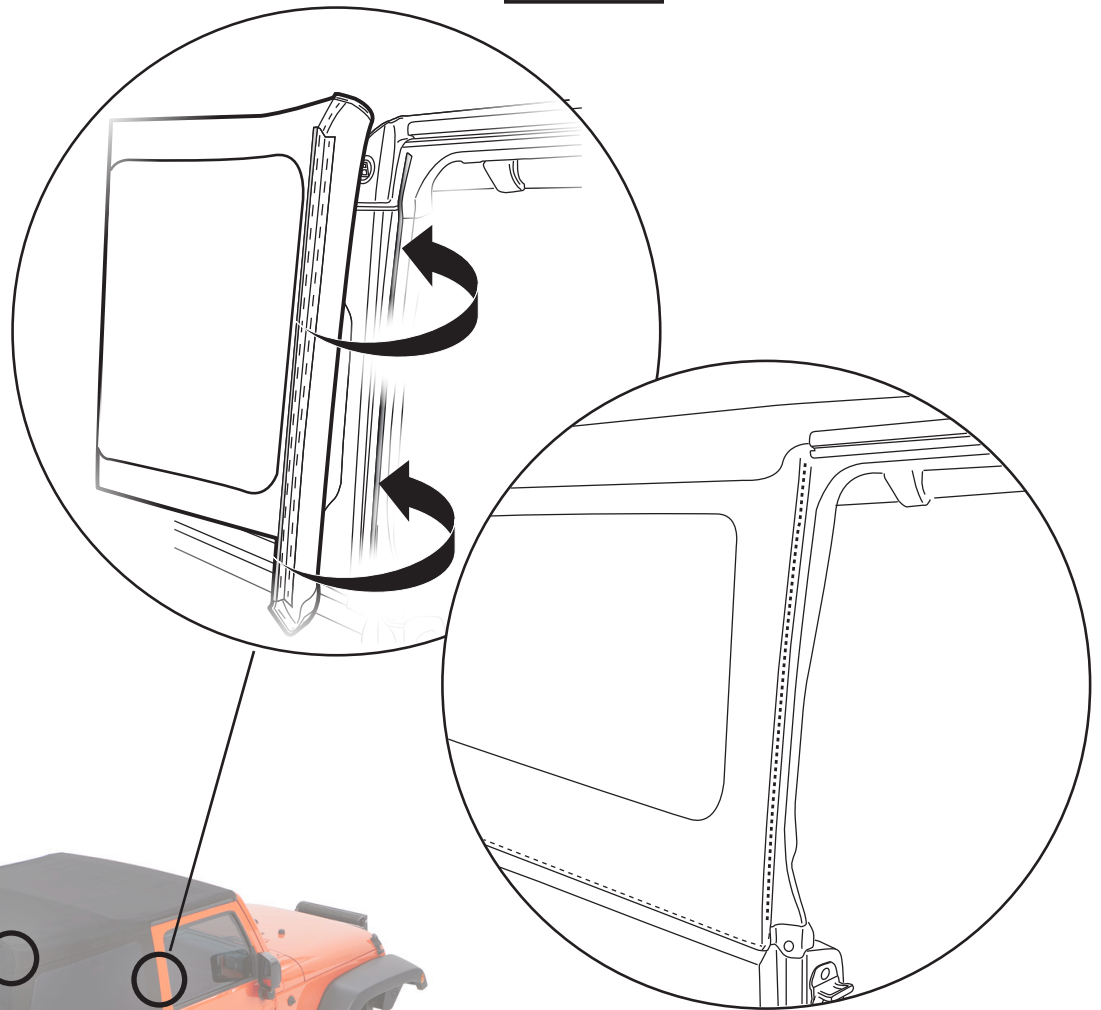


With the Sunrider still folded back, locate the plastic channel along the lower edge of the top fabric, on the right side.

Insert the tapered tip of the sewn-in plastic tube at the top edge of the Quarter Window into the open end of the channel sewn onto the bottom edge of the top fabric and slide the Quarter Window forward until it stops at the back of the Door Rail.

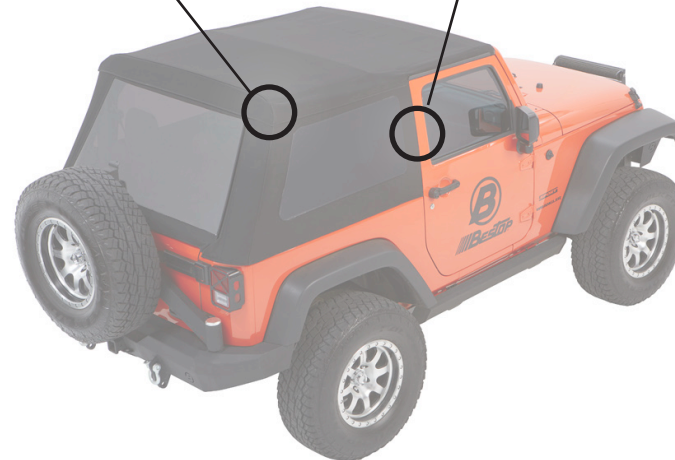
Repeat on the left side of the vehicle.

Step 2

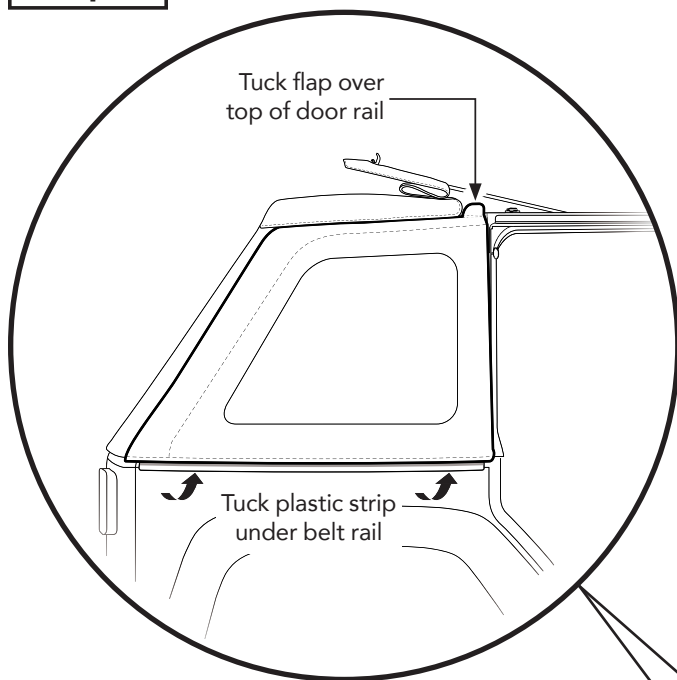


Tuck the plastic angle strip along the front edge of the Quarter Window into the vertical channel on the front of the Rear Door Rail. The plastic angle strip and attached fabric must be rolled into place in the channel. When installed correctly, there will be only one (1) stitch line visible and it will be facing the door opening.

Repeat on both Quarter Windows.



Step 3

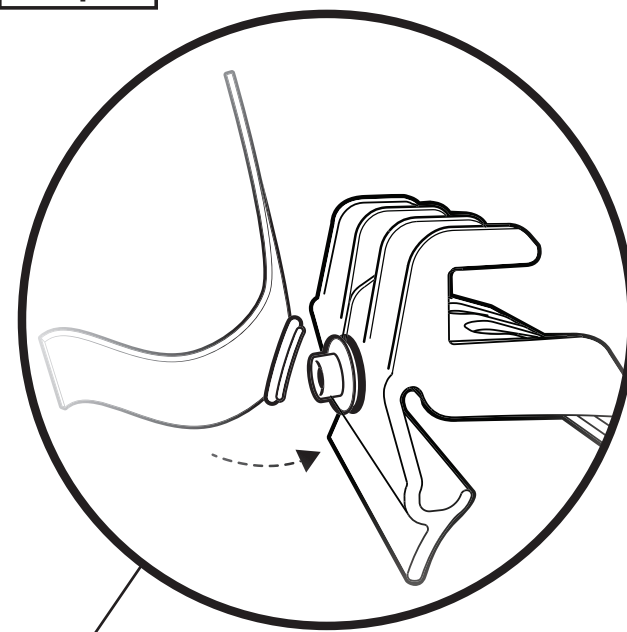


With the Sunrider still open, tuck the plastic strip along the bottom edge of the right Quarter Window under the Jeep belt rail, by rolling it up underneath the belt rail.

Make sure that the flap at the top front of the right Quarter Window is tucked back over the top of the door rail, so that the Sunrider will lay on top of it when closed.

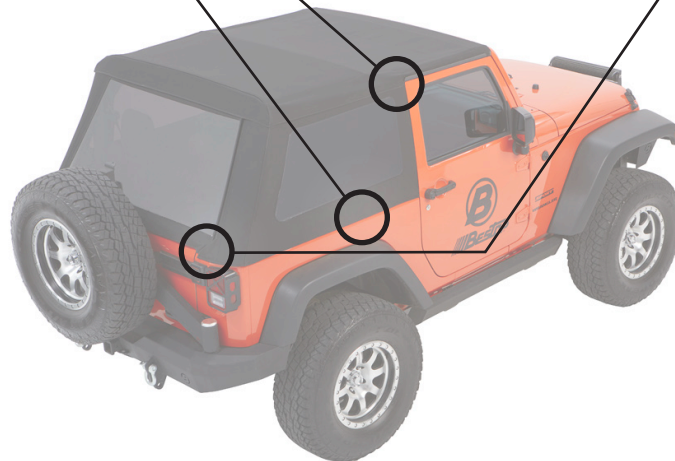
Repeat on the left Quarter Window.

Step 4

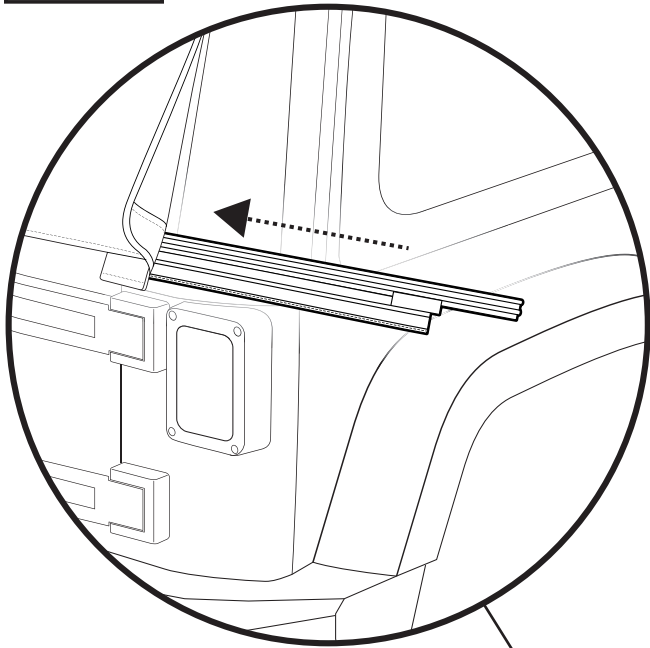


Locate the straps with sewn-in snaps at the bottom inside corner of each Quarter Window.

Snap the end of each strap to the snap on the inside of each Tailgate Bar Mount.

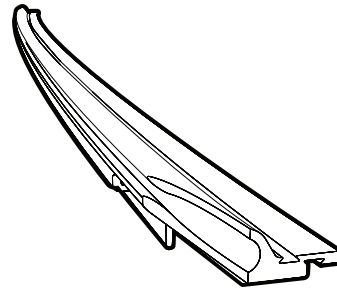


Step 1



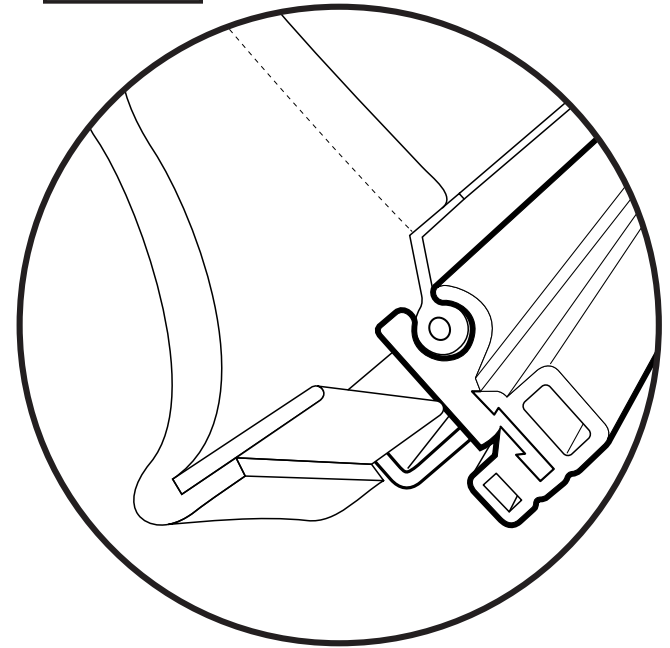
Locate the Tailgate Bar, and slide it onto the tubing attached to the bottom inside of the Rear Window.

Parts



Tailgate Bar
Qty. 1
Part #538.76

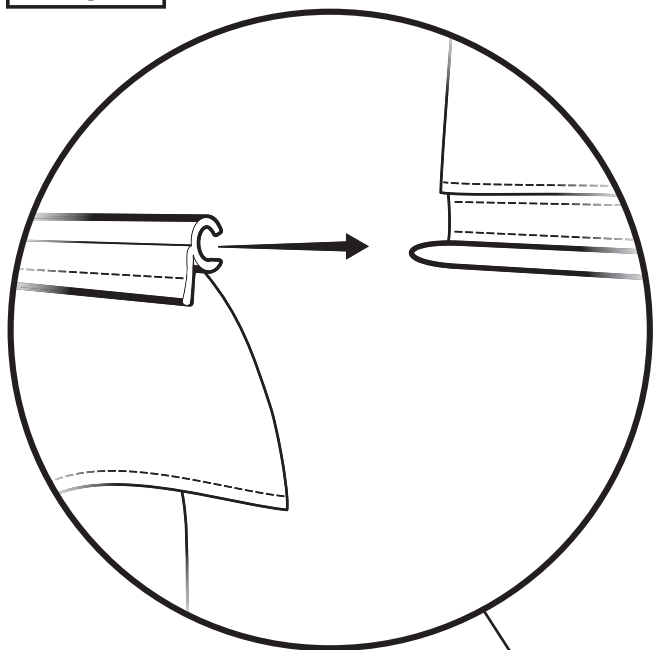
Step 2



The round channel on the side of the Tailgate Bar slides over the tubing.



Step 1



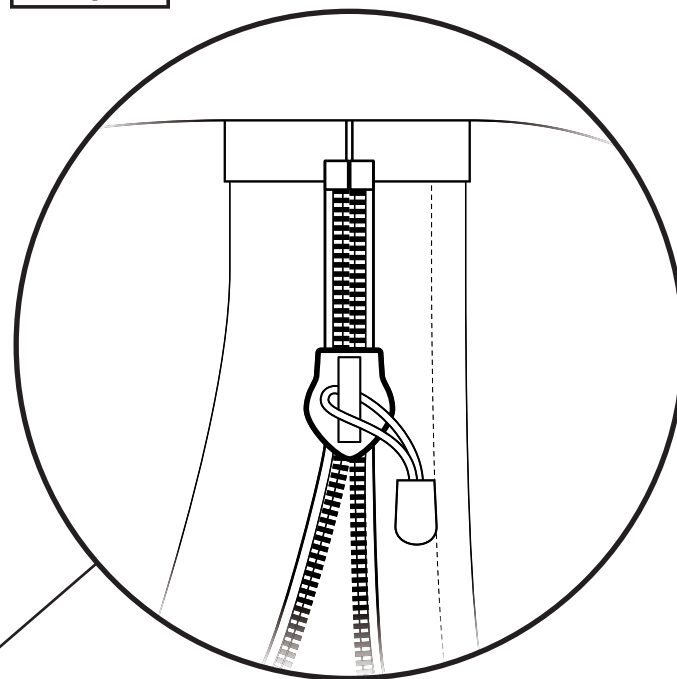
Open the Jeep tailgate.

Locate the plastic channel along the rear lower edge of the top fabric.

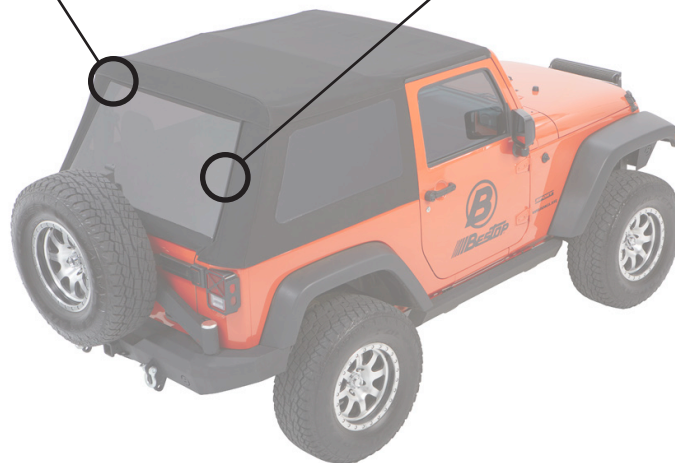
Insert the tapered tip of the sewn-in plastic tube along the top edge of the Rear Window into the open end of the left side of the plastic channel.

Slide the Rear Window to the right until it stops at the right Quarter Window.

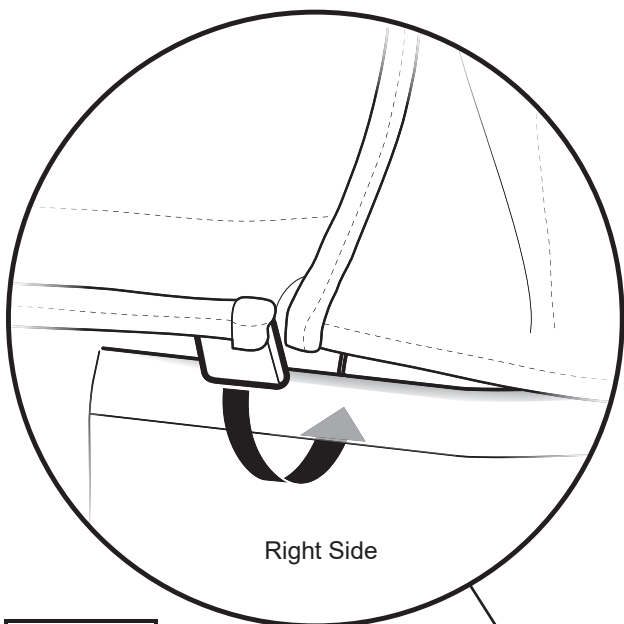
Step 2



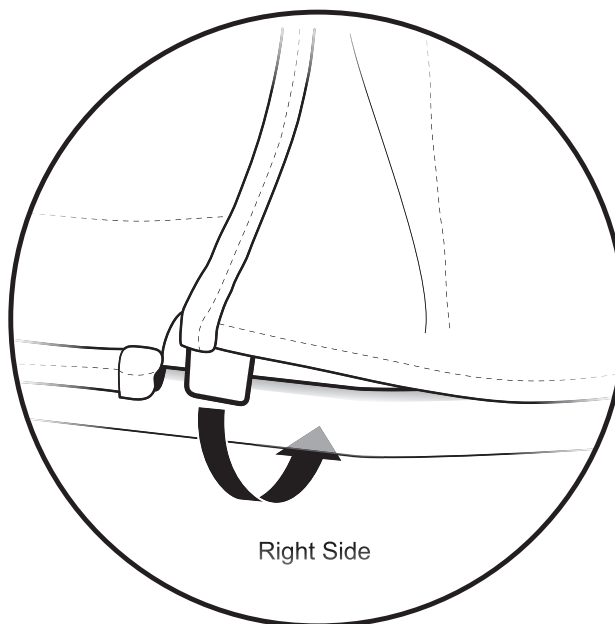
Zip the Rear Window to the Quarter Windows on both sides.



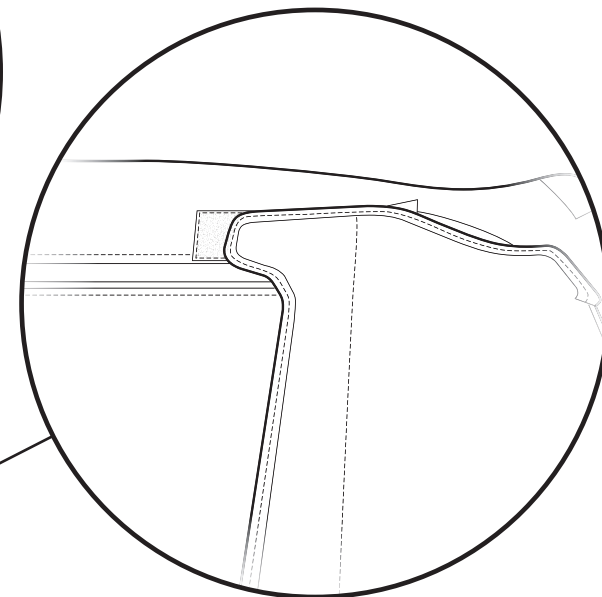
Step 3



Step 4



Step 5



Step 3

Tuck the plastic tab at the bottom right corner of the Rear Window under the Jeep belt rail.

Roll the tab up underneath the belt rail.

Repeat on the left side.

Step 4

Tuck the plastic tab at the bottom rear corner of the right Quarter Window under the Jeep belt rail.

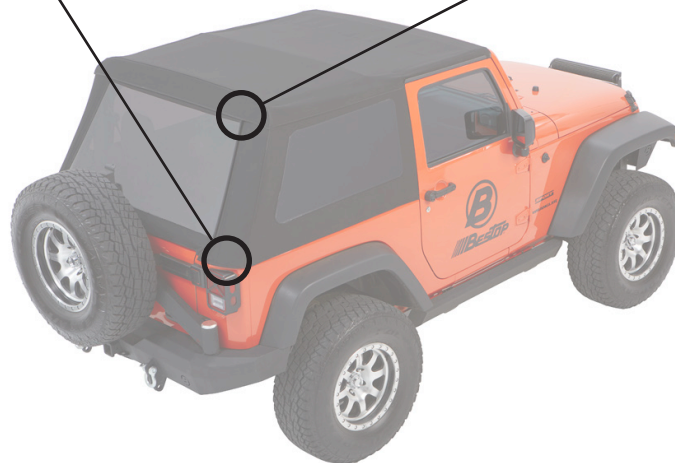
Roll the tab up underneath the belt rail.

Repeat on the left side.

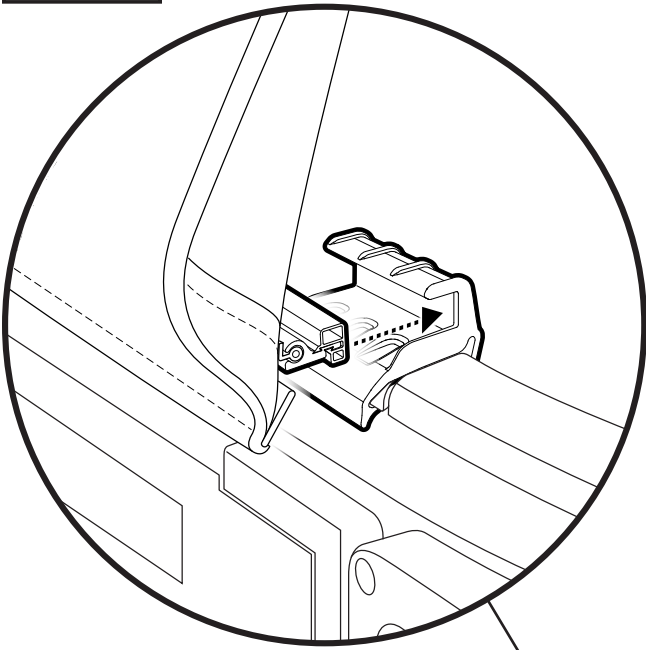
Step 5

Locate the hook and loop strip at the right rear corner of the top fabric. Attach the flap at the top corner of the right Quarter Window to the hook and loop strip.

Repeat on the left side of the Jeep.



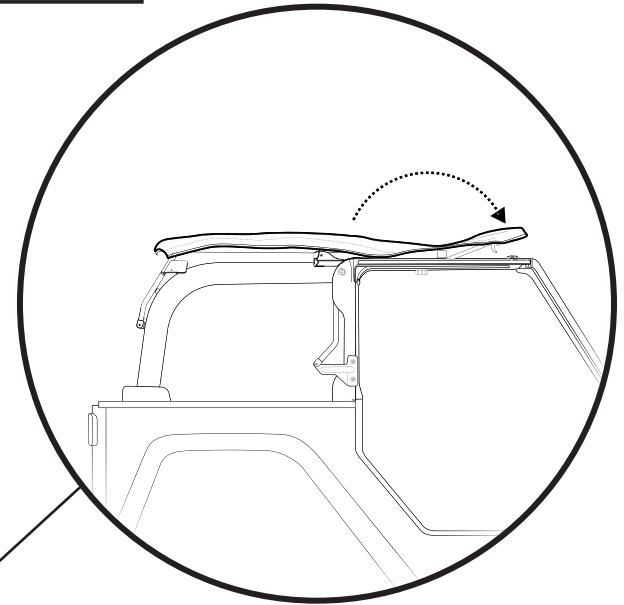
Step 1



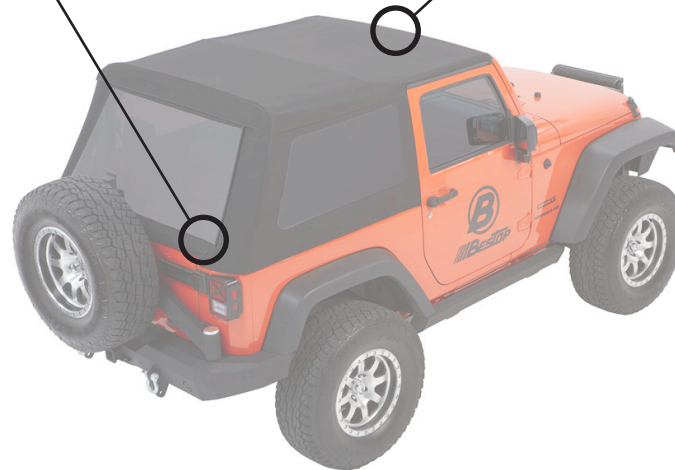
Snap the front edge of the Tailgate Bar into the channel on each Tailgate Bar Mount.

Repeat for both sides of the tailgate.

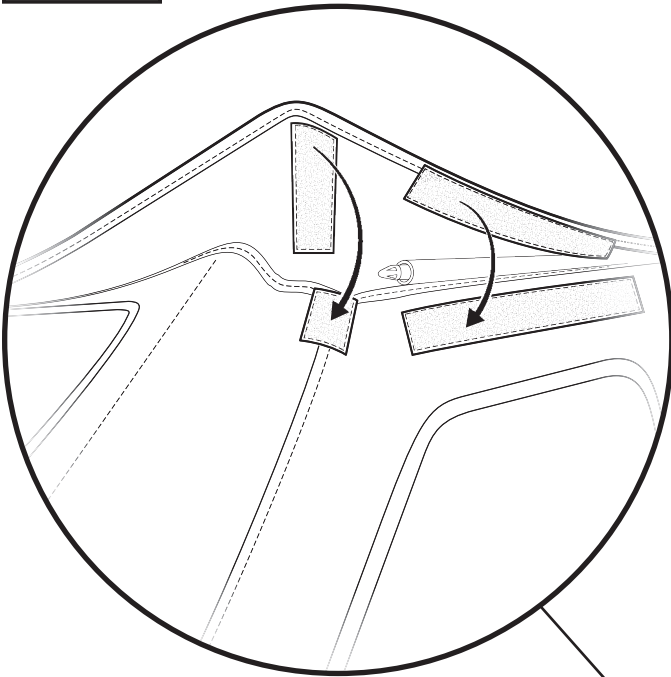
Step 2



Flip the Sunrider forward.



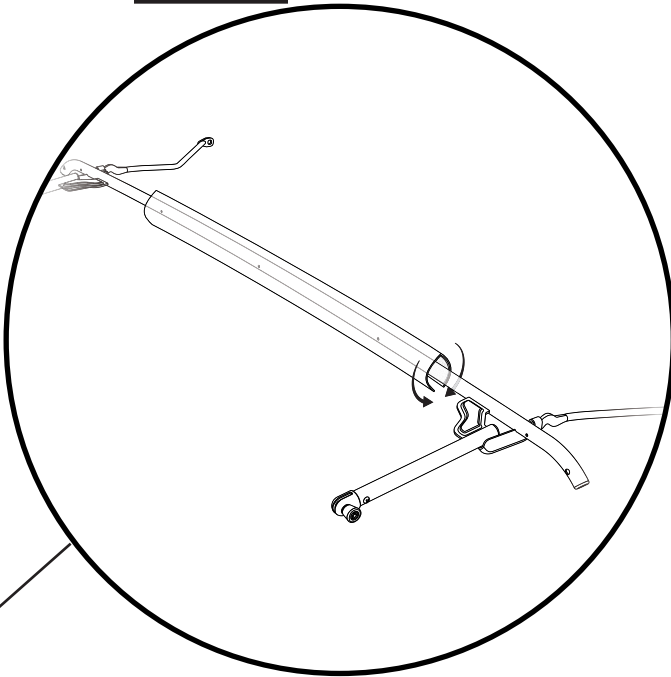
Step 1



Locate the Hook & Loop strips at the rear corners of the top fabric.

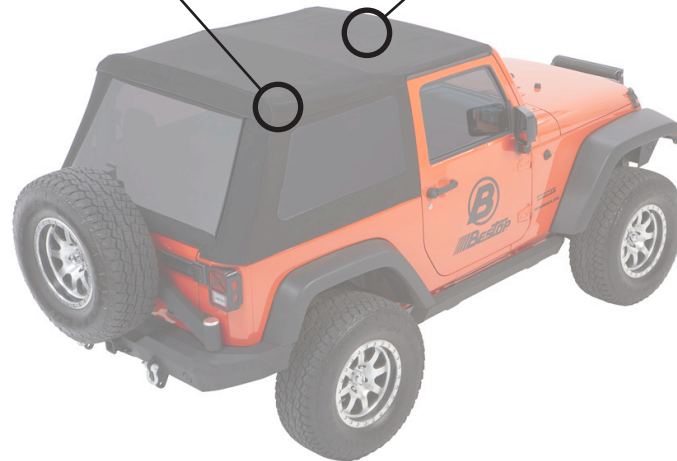
Snug the rear corners of the top by attaching the Hook & Loop strips on the underside of the top fabric to the strips along the top edges of the Quarter Window corners.

Step 2

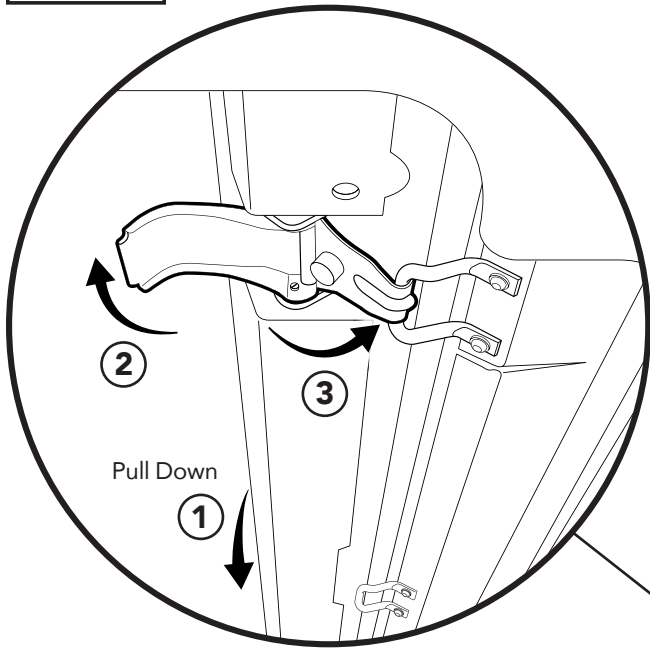


Inside the Jeep, locate the two flaps over the #2 Bow.

Wrap the flaps around the #2 Bow, and secure the flaps together with the Hook & Loop strips on each flap.

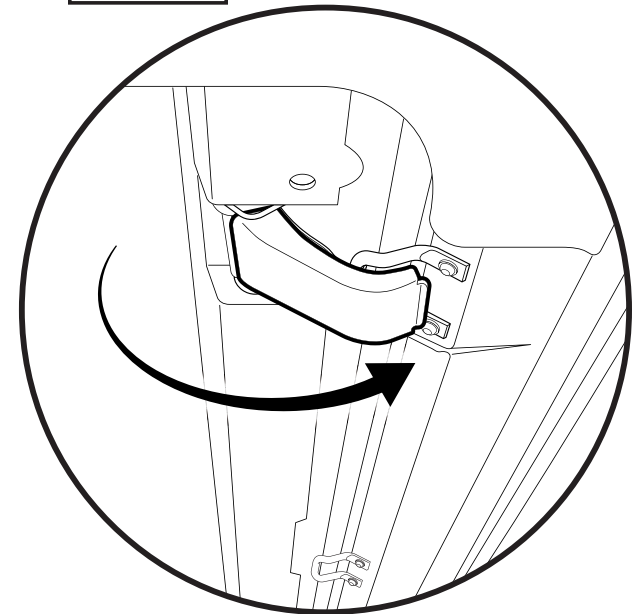


Step 1



From inside the Jeep, locate the two Windshield Header Latches. To close the latch, pull down on the center of the header and pivot the latch handle to the completely open position to allow the hook to engage the windshield loop. Now pivot the hook forward to engage the windshield loop.

Step 2



When the hook is engaged with the windshield loop, close the latch by pivoting it forward toward the windshield.





Care and Maintenance of your Bestop Product

Your Bestop product is made of the finest materials available. To keep it looking new and for the maximum possible wear, it will need periodic cleaning and maintenance.

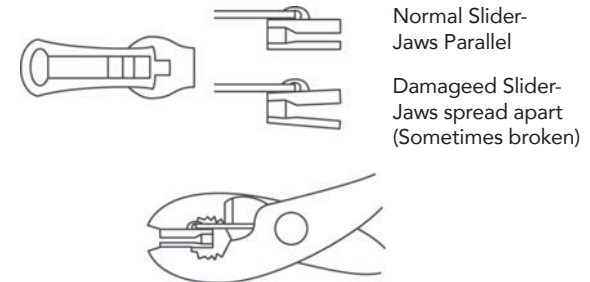
Fabric: The fabric should be washed often using soap, warm water and a soft bristle brush. Rinse with clear water to remove all traces of soap. Bestop recommends using Bestop Cleaner (part no. 11201-00) and Bestop Protectant (part no. 11202-00) for Vinyl fabric and Bestop Twill Protectant (part no. 11207-00) for Twill fabric. Bestop Cleaner and Bestop protectant are specially formulated to provide a total cleaning and protection system. Bestop Cleaner safely removes the toughest stains, will not harm vehicle finishes, is biodegradable and environmentally friendly. Bestop Protectant protects against UV-fading, cracking and hardening, and repels dust, grease, dirt and mildew.

Windows: Keep windows clean to avoid scratching. DO NOT use a brush on the windows! Wash with a water-soaked cloth or sponge and a mild dishwashing detergent. Bestop recommends Bestop Vinyl Window Cleaner (part no. 11203-00), which safely cleans and protects vinyl windows and helps prevent UV damage. NEVER WIPE THE WINDOWS WHEN THEY ARE DRY. Be careful when cleaning snow or frost from the vinyl windows since they are easily scratched and may crack at low temperatures. DO NOT roll the sides or rear window in cold weather. The windows become stiff and will crack. Cracks caused by misuse in cold temperatures are not covered under warranty.

Water: Seeping through at the seams may be stopped by applying 3-M Scotchgard® on the inside of the seams.

Snaps: Keep snaps cleaned and lubricated with silicone to help prevent snaps from sticking to the studs. If a snap does become stuck to a stud, use a screwdriver and GENTLY pry apart to prevent permanent damage to the snap or the top fabric.

Zippers: Keeping zippers cleaned and lubricated with Bestop's Zipper Cleaner (part no. 11206-00) will help prevent damage and keep the zippers in smooth working condition. If a zipper opens behind the slider, the slider may have been spread apart. This problem can usually be repaired by using an ordinary pair of pliers to bring the sides back into parallel. Return slider to the end of the zipper in the normal Open position. Squeeze lightly at first and test the zipper. If the zipper continues to remain open squeeze more firmly with the pliers and try the zipper again. Repeat this procedure until the zipper operates correctly.



For Bestop Warranty Information, Please go to;
<https://www.bestop.com/help/warranty-information/>

