



Installation Instructions Trektop for Bronco 4 Door

Vehicle Application:
Ford Bronco 4 Door 2021
Part Number 56873

Installation Tips

Before you begin installing your new Trektop, please read all the instructions thoroughly, and watch the Bestop Installation video. (See Support section on this page).

For easier installation, the top should vbe installed at a temperature above 72° F. Below this temprature, the fabric may contract making it difficult to fit the vehicle.w

! WARNING Do not rely in any way on the components of this product to protect against injury or death in the event of an accident. Never operate the vehicle in excess of manufacturer’s specifications.

Read and follow, precisely, all installation instructions provided when installing this product. Failure to do so may result in a poor fit and could place occupants of the vehicle in a potentially dangerous situation.

! CAUTION Safety glasses should be worn at all times when installing this product. **WEAR SEAT BELTS AT ALL TIMES**



Notes

*We suggest using two people to help lift the top onto the vehicle.

**Sections 11 and 12 have seperate instructions for vehicles that came with a factory hardtop installed or a factory soft top installed.

Tools				Installation Time	Support
				4 00 4 HOURS	We're here to help! Go to: https://www.bestop.com and click on Need Help?
Safety Glasses	Scissors	T25, T30, T40 and T50 Torx Drivers	Slotted Screwdriver		
				1 2 3 4 3 - Moderately Difficult	 https://www.bestop.com/video-library
Ratchet	8mm Socket	50/50 Alcohol water Solution	Soft Cloth		



Installation Instructions Trektop for Bronco 4 Door

Vehicle Application:
Ford Bronco 4 Door 2021
Part Number 56873

Sugerencias de Instalación

Antes de empezar a instalar esta unidad, lea atentamente todas las instrucciones.

Para un buen ajuste:

Para facilitar la instalación, el producto debe instalarse a temperaturas superiores a 72 °F (22 °C).

Por debajo de esta temperatura, la tela puede encogerse una pulgada o más, lo que dificultaría su ajuste al vehículo.

Es normal que la tela se contraiga o arrugue cuando está guardada en la caja de empaque. A los pocos días después de la instalación, la tela se relajará y las arrugas desaparecerán.



ADVERTENCIA

Este producto se diseñó principalmente para mejorar la apariencia del vehículo y proteger a los ocupantes de las condiciones climáticas comunes. De ninguna manera piense que los componentes de este producto pueden servir como medio de contención para los ocupantes del vehículo o que pueden protegerlos contra lesiones o la muerte en caso de accidente. Este producto no protegerá a los ocupantes contra caídas de objetos. Nunca conduzca este vehículo fuera de las especificaciones del fabricante.

USE LOS CINTURONES DE SEGURIDAD EN TODO MOMENTO

Lea y siga con precisión todas las instrucciones de instalación que se proporcionan para instalar este producto. Si no lo hace, podría producirse un mal ajuste que colocaría a los ocupantes del vehículo en una situación potencialmente peligrosa.



PRECAUCIÓN

Debe usar gafas protectoras en todo momento durante la instalación de este producto.

Conseils pour l'installation

Lire toutes les instructions au complet avant de commencer l'installation de cet assemblage.

Pour un ajustement sans problème :

Afin de faciliter l'installation, ce produit doit être installé à des températures au-dessus de 72 °F (22 °C).

Sous cette température, le tissu peut rétrécir d'un pouce (2,5 cm) ou plus, ce qui rendra l'ajustement sur le véhicule difficile.

Il est normal que le tissu rétrécisse et plisse pendant qu'il est dans la boîte d'expédition. En quelques jours après l'installation, le tissu se détendra et les plis disparaîtront.



AVERTISSEMENT

Ce produit est conçu principalement pour améliorer l'apparence du véhicule et pour protéger les occupants des conditions météorologiques usuelles. Ne jamais se fier aux composants de ce produit pour se protéger de blessures ou de la mort en cas d'accident. Ce produit ne protégera pas les occupants des chutes d'objets. Ne jamais utiliser le véhicule au-delà des caractéristiques techniques indiquées par le fabricant.

PORTER UNE CEINTURE DE SÉCURITÉ EN TOUT TEMPS

Lire et suivre, très fidèlement, toutes les instructions d'installation fournies lors de l'installation de ce produit. Ne pas suivre cette consigne peut causer une installation inadéquate et mettre les occupants du véhicule dans une situation potentiellement dangereuse.



MISE EN GARDE

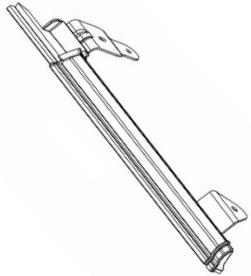
Des lunettes de sécurité doivent être portées en tout temps lors de l'installation de ce produit.



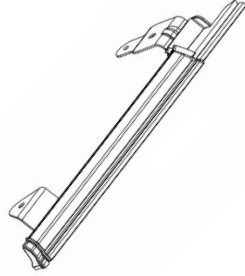
Installation Instructions Trektop for Bronco 4 Door

Vehicle Application:
Ford Bronco 4 Door 2021-current
Part Number 56873

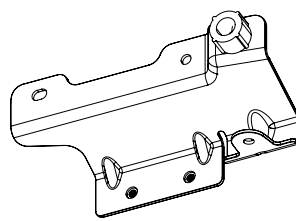
Parts List



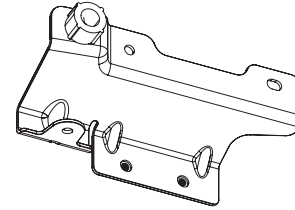
Front Door Rail Left
Part #599.99
Qty. 1



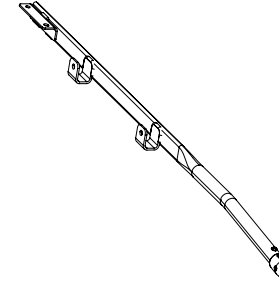
Front Door Rail Right
Part #599.98
Qty. 1



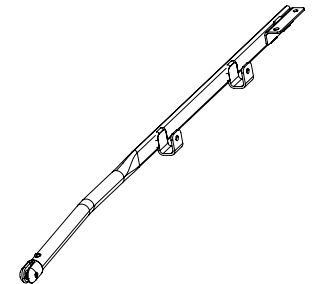
Main Pivot Bracket Left
Part #602.63
Qty. 1



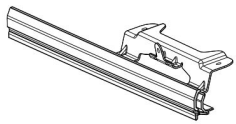
Main Pivot Bracket Right
Part #602.62
Qty. 1



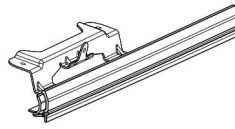
Front Side Rail Right
Part #600.82
Qty. 1



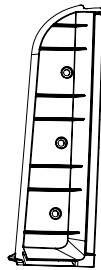
Front Side Rail Left
Part #600.83
Qty. 1



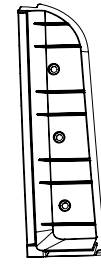
Upper Rear Door Rail Left
Part #600.11
Qty. 1



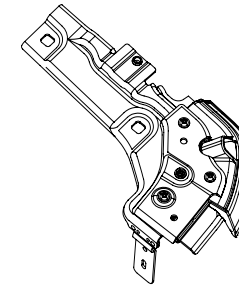
Upper Rear Door Rail Right
Part #600.10
Qty. 1



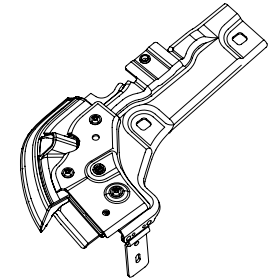
Vertical Window Retainer Right
Part #597.58
Qty. 1



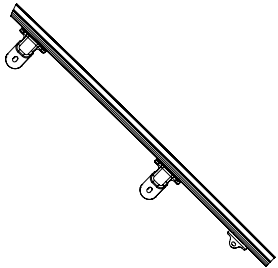
Vertical Window Retainer Left
Part #597.59
Qty. 1



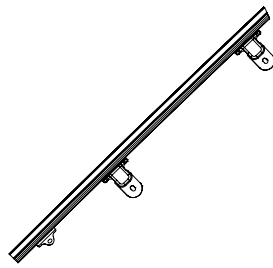
Tailgate Bar Retainer Right
Part #597.88
Qty. 1



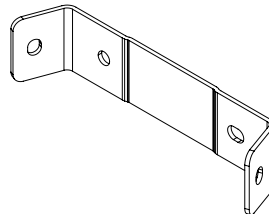
Tailgate Bar Retainer Left
Part #597.89
Qty. 1



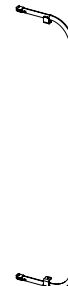
Belt Retainer Right
Part #599.94
Qty. 1



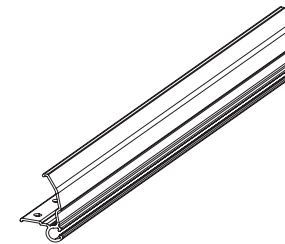
Belt Retainer Left
Part #599.95
Qty. 1



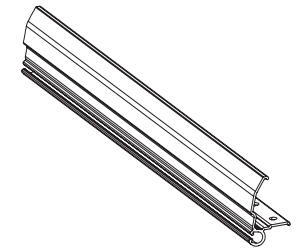
Rear Halo Mounting
Bracket
Part #599.39
Qty. 2



1.5 Bow Assembly
Part #602.46
Qty. 1



Retainer, Quarter Window
Right
Part #599.88
Qty. 1



Retainer, Quarter Window
Left
Part #599.89
Qty. 1



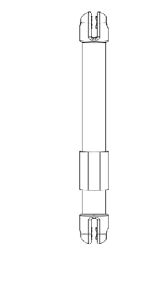
Installation Instructions Trektop for Bronco 4 Door

Vehicle Application:
Ford Bronco 4 Door 2021-current
Part Number 56873

Parts List



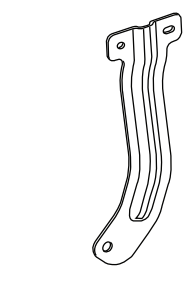
#2 Bow Control Link
Part #598.00
Qty. 2



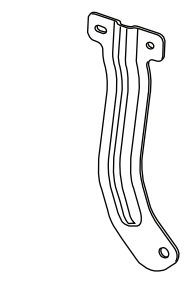
Control Linkage
Part #602.75
Qty. 2



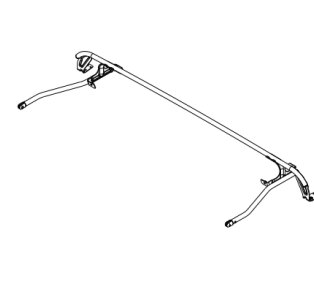
Taigate Retainer
Part #597.67
Qty. 1



Rear Halo Bracket Right
Part #601.50
Qty. 1



Rear Halo Bracket Left
Part #601.51
Qty. 1



#3 Bow Assembly
Part #600.88
Qty. 1



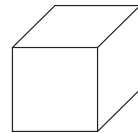
#2 Bow Assembly
Part #600.84
Qty. 1



Quarter Window Retainer
Foam Large
Part #615.68
Qty. 2



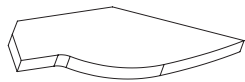
Quarter Window Retainer
Foam Small
Part #615.69
Qty. 2



Tailgate Bar Retainer Foam
Part #615.70
Qty. 2



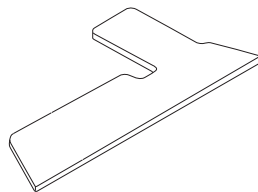
Belt Rail Retainer Foam
Part #615.71
Qty. 2



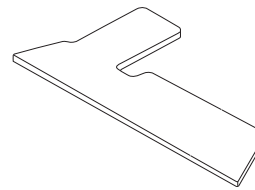
Vertical Window Retainer
Seal Right
Part #608.72
Qty. 1



Vertical Window Retainer
Seal Left
Part #608.73
Qty. 1



#1 Bow Foam Seal Rt
Part #615.66
Qty. 1



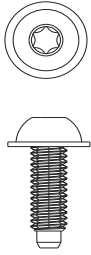
#1 Bow Foam Seal Lt
Part #615.67
Qty. 1



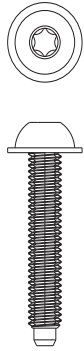
Installation Instructions Trektop for Bronco 4 Door

Vehicle Application:
Ford Bronco 4 Door 2021-current
Part Number 56873

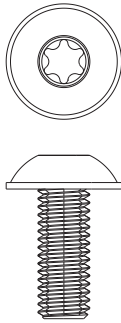
Parts List



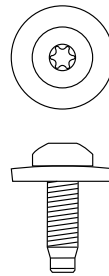
SCREW, M6 X 1.0 X 15mm
Part #533.61
Qty. 26
T-30 Torx



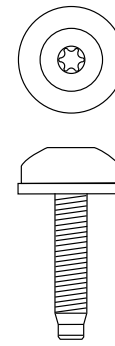
SCREW, M6 X 1.0 X 30mm
Part #533.19
Qty. 8
T-30 Torx



Screw, M8 X 1.25 X 20mm
Part #573.09
Qty. 4
T-40 Torx



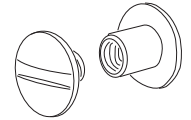
Screw, M8 X 1.25mm X 28mm
Part #534.24
Qty. 12
T-40 Torx



Screw, M8 X 1.25 X 38mm
Part #532.17
Qty. 6
T-50 Torx



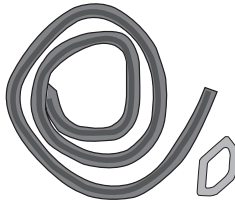
SCREW, Pivot Knuckle
Part #308.65
Qty. 16
T-30 Torx



Screw, Binding Barrel
Part #599.01
Qty. 2



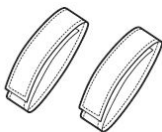
Spacer, 5MM
Part #603.20
Qty. 12



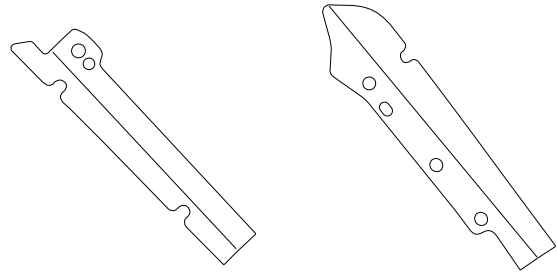
Seal, Belt
Part #596.65
Qty. 2



Loctite Capsule
Part #309.83
Qty. 1



Tie Down Strap
Part #410.42
Qty. 2



Front Seal Film Right
Part #610.34
Qty.1

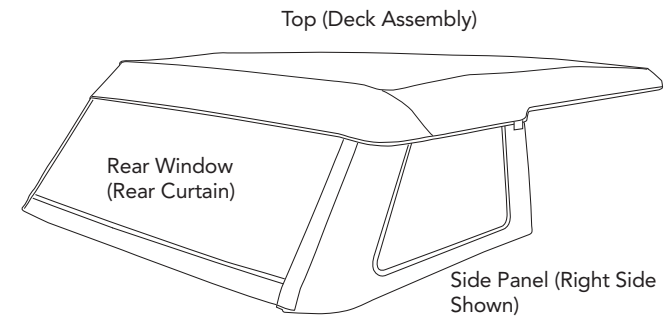
Rear Seal Film Right
Part #610.36
Qty.1

Front Seal Film Left (Shown)
Part #610.35
Qty.1

Rear Seal Film Left (Shown)
Part #610.37
Qty.1

Kit Part # 611.50

Note: Packaged with the windows



Tools



Ratchet



8mm Socket



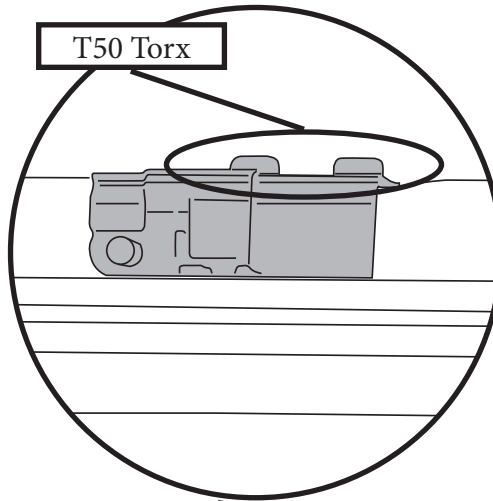
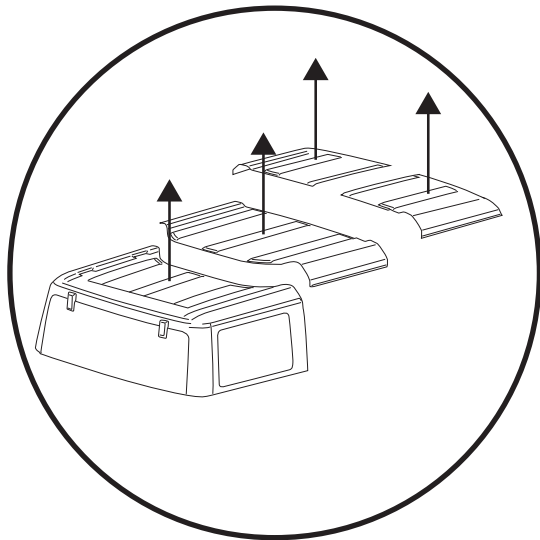
T30 and T50 Torx Drivers

Note: If your vehicle came with a Factory Soft Top or Dual Top option then you must remove these brackets to complete the installation of the Trektop.

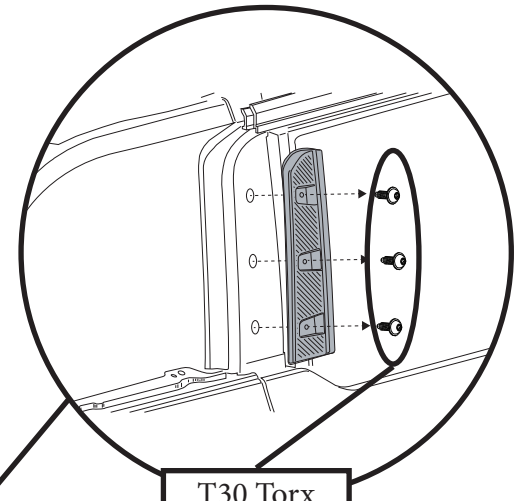
1 Remove the Factory bow mounting brackets from both sides of the vehicle..

2 Remove the Factory Vertical Window Retainers from behind the door windows.

Remove the hardtop or factory soft top.
(See owners manual for details)

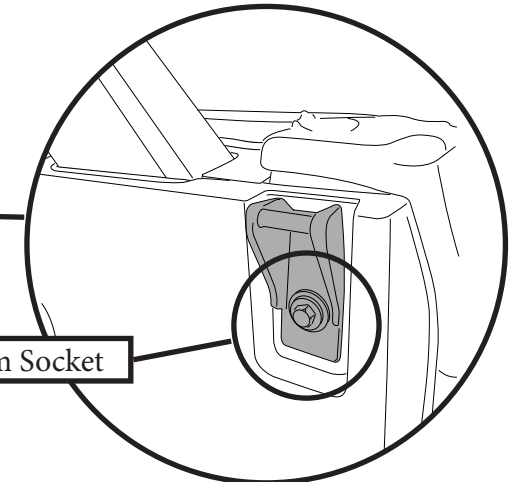
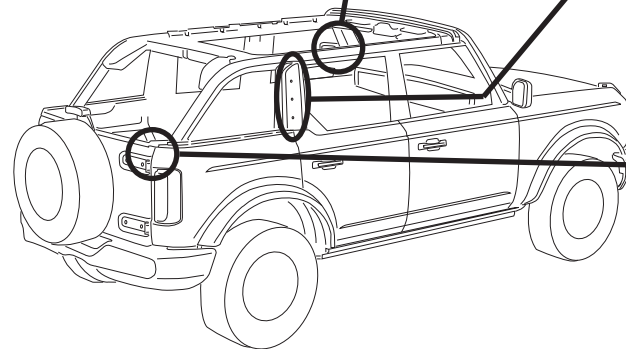


T50 Torx



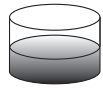
T30 Torx

3 Remove the Factory Latch brackets from inside of the tailgate. (Both sides)



8mm Socket

Tools

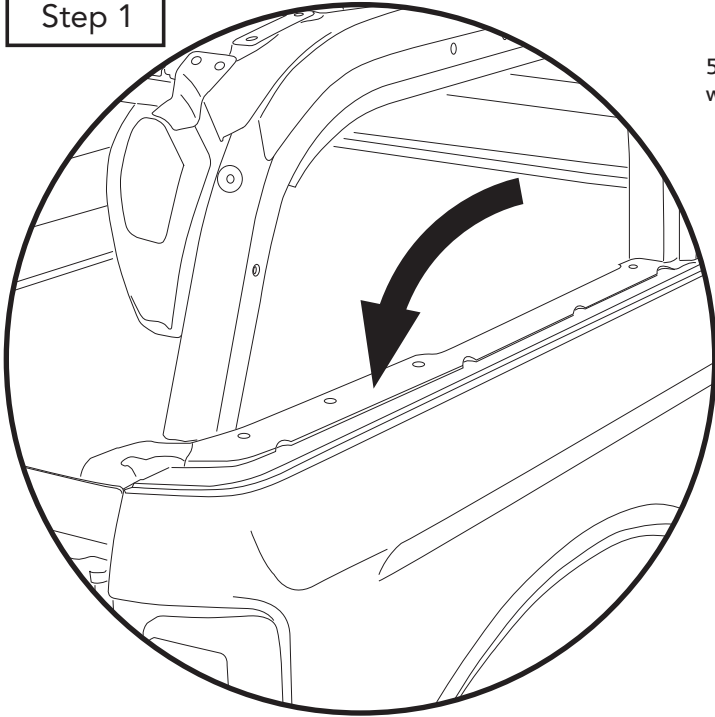


50/50 Alcohol
water Solution



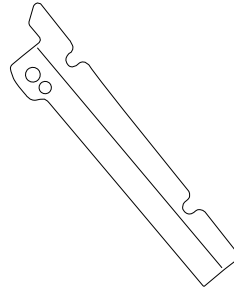
Soft Cloth

Step 1



Wipe the top edge of the body with the 50/50 Alcohol/Water solution and a soft cloth.

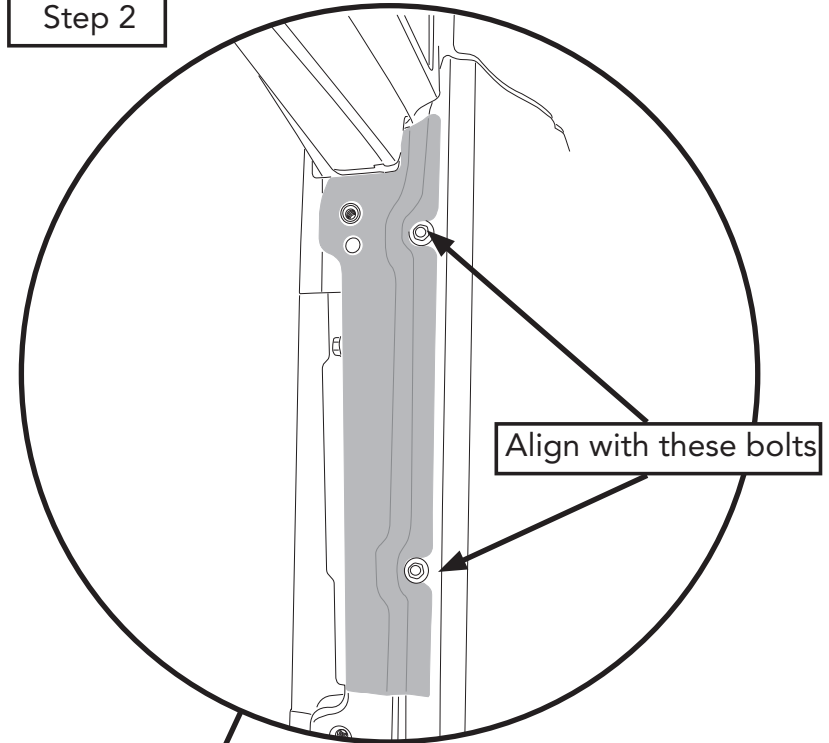
Parts



Front Seal Film Right (Shown)
Part #610.34
Qty.1

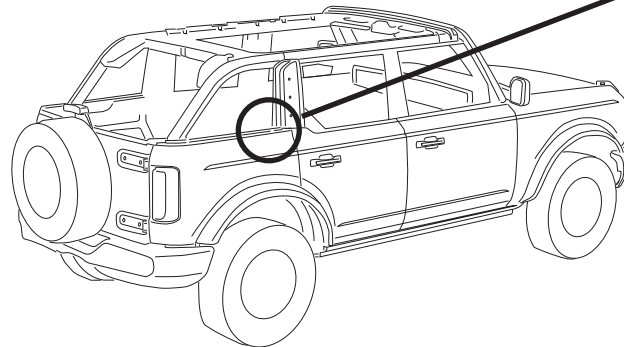
Front Seal Film Left
Part #610.35
Qty.1

Step 2

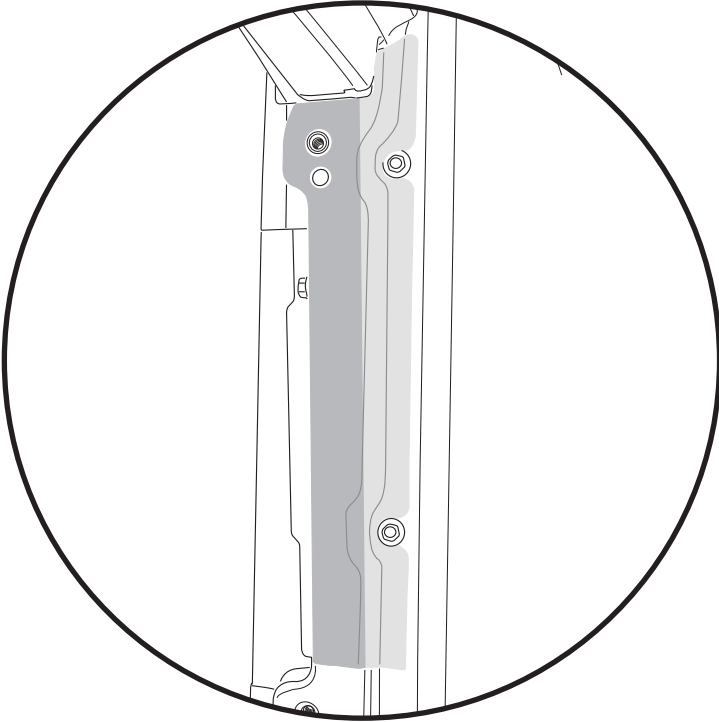


Align the cut outs to the fender bolts.

Note: It is very important to align the cut outs to the fender bolts first.

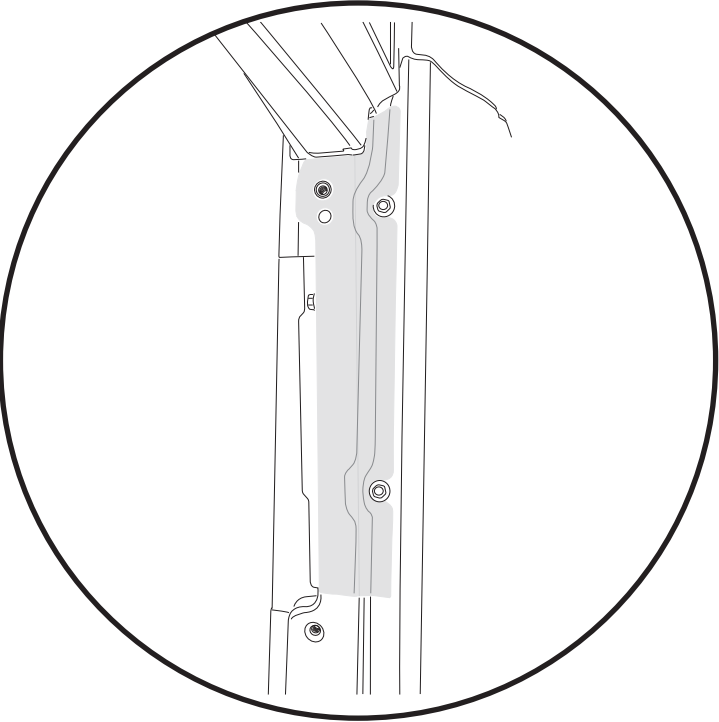


Step 3

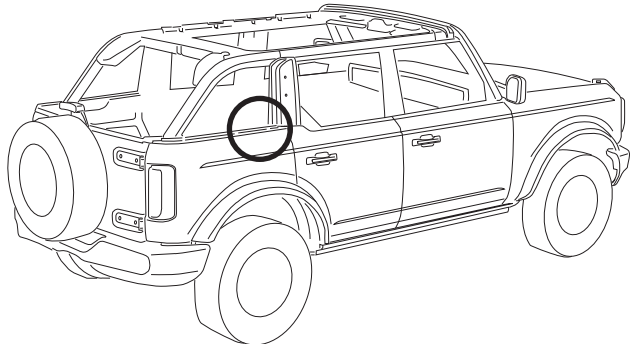


Remove the paper backing from the adhesive on the side with the cut outs and adhere the film to the vehicle.

Step 4

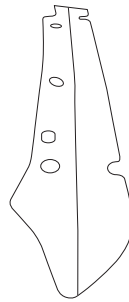


Remove the paper backing from the other side of the film and adhere the rest of the film to the vehicle.



Repeat these steps on left side of vehicle.

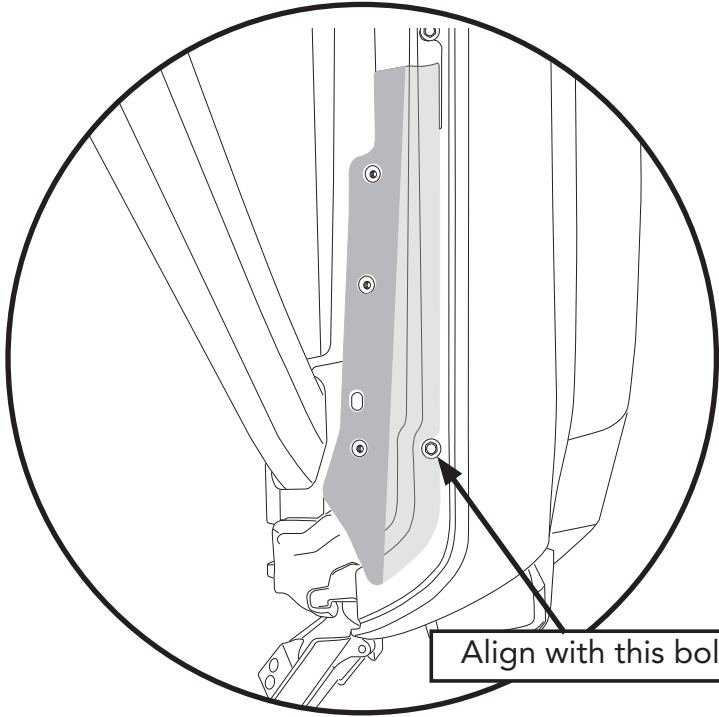
Parts



Rear Seal Film Right (Shown)
Part #610.36
Qty.1

Rear Seal Film Left
Part #610.37
Qty.1

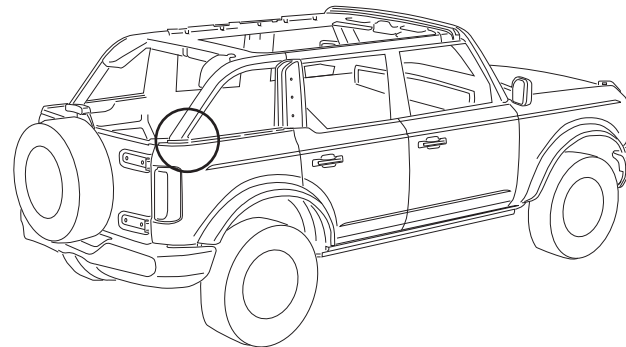
Step 1



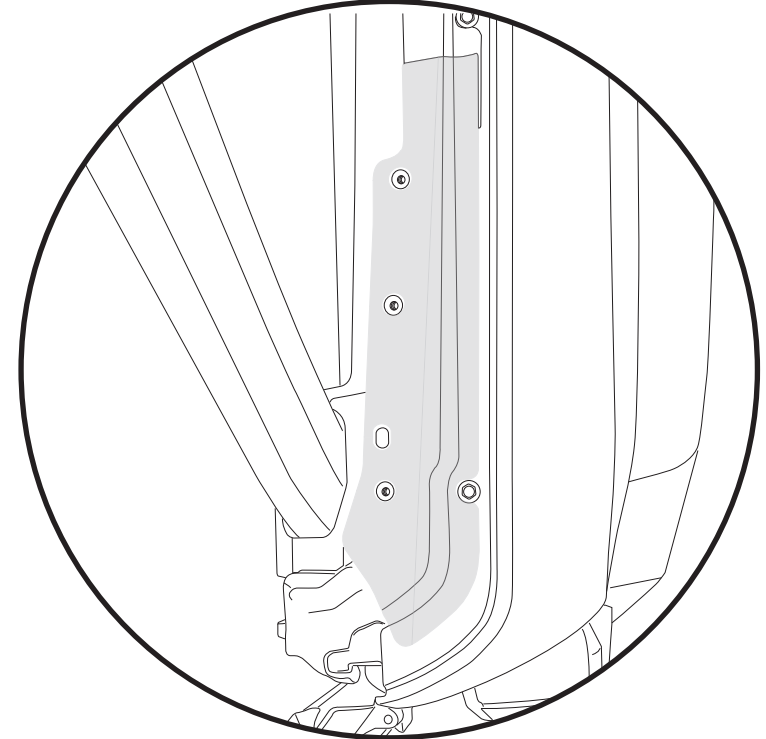
Align with this bolt

Align the cut outs to the fender bolts. Remove the paper backing from the adhesive on the side with the cut outs and adhere the film to the vehicle.

Note: It is very important to align the cut outs to the fender bolts first.



Step 2

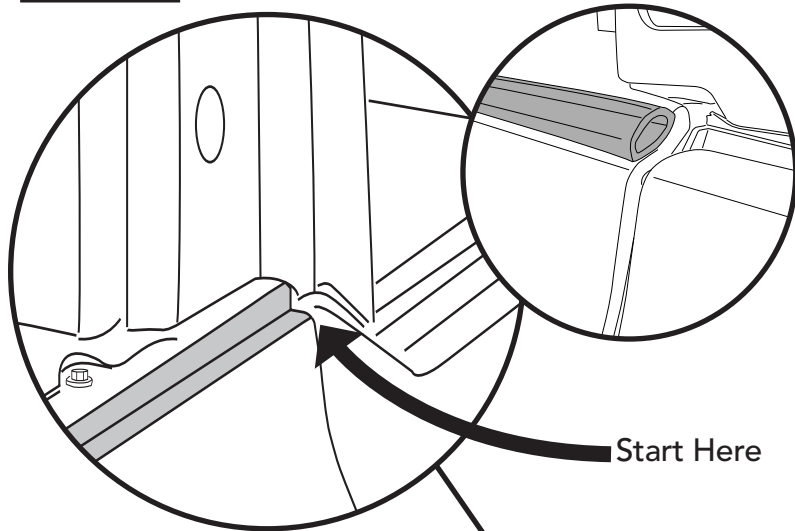


Remove the paper backing from the other side of the film and adhere the rest of the film to the vehicle.

Note: Rear film will overlap the front film.

Repeat these steps on left side of vehicle.

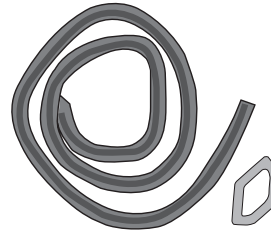
Step 1



Start Here

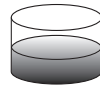
Wipe the edge of the body with the 50/50 Alcohol/Water solution with the soft cloth.

Parts

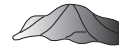


Seal, Belt
Part #596.65
Qty. 2

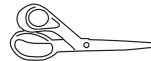
Tools



50/50 Alcohol
water Solution

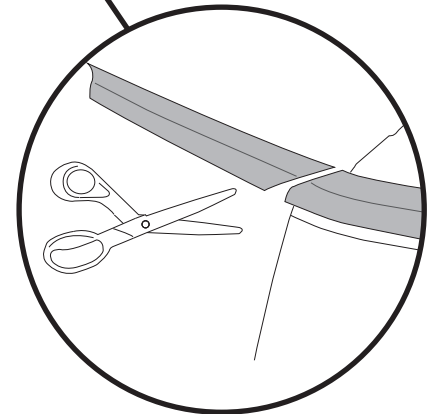
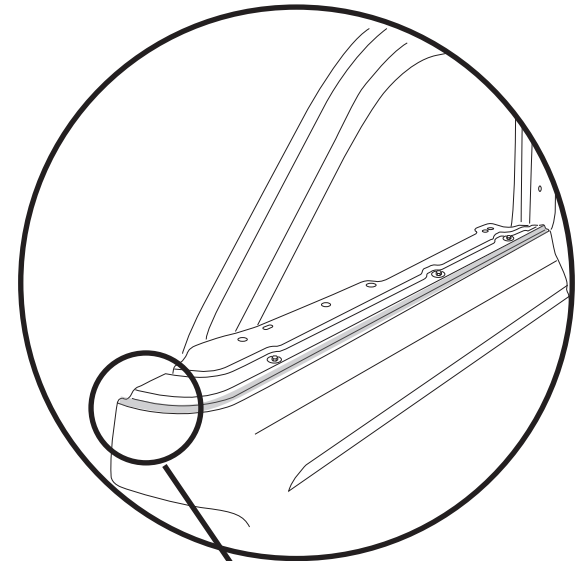


Soft Cloth



Scissors

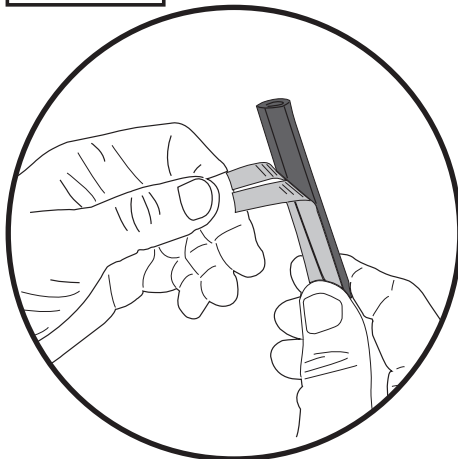
Step 3



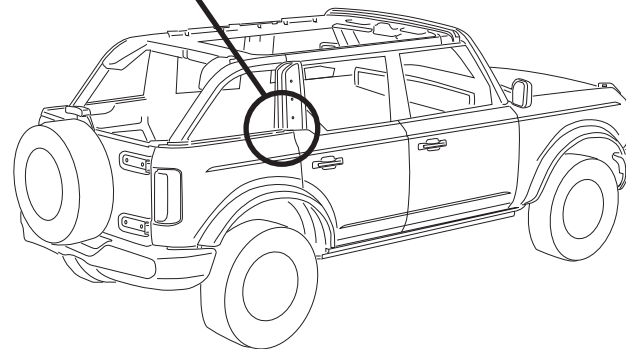
Continue removing the protective strip from the seal as you place it along the top edge of the body. When you reach the tailgate opening, Clip the excess seal with a pair of scissors.

Repeat these steps on left side of vehicle.

Step 2



Start to remove the adhesive protective strip and place the end of the Seal down on the top edge of the body.

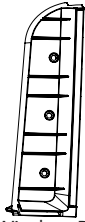


Tools

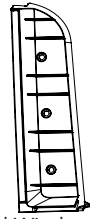


T30
Torx Driver

Parts



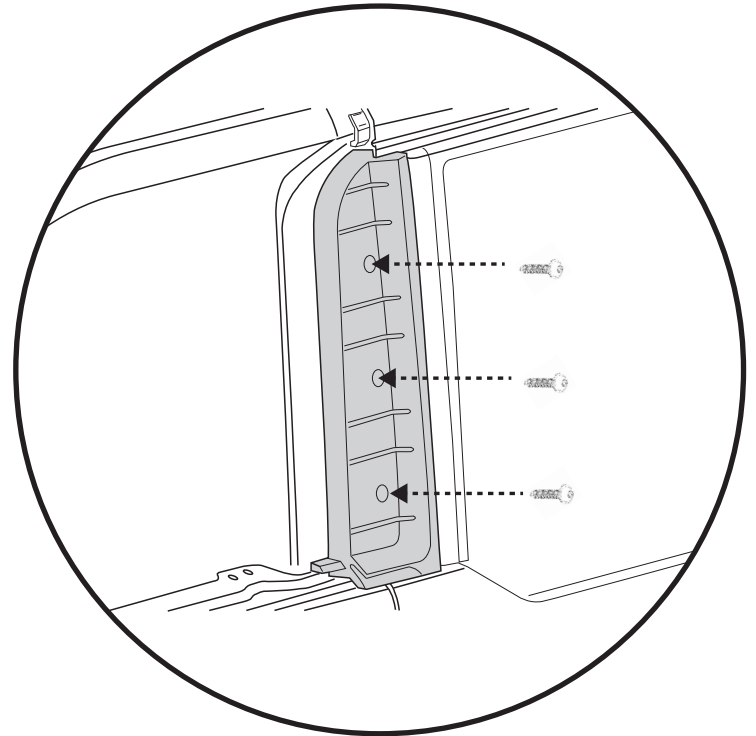
Vertical Window Retainer
Right
Part #597.58
Qty. 1



Vertical Window Retainer
Left
Part #597.59
Qty. 1

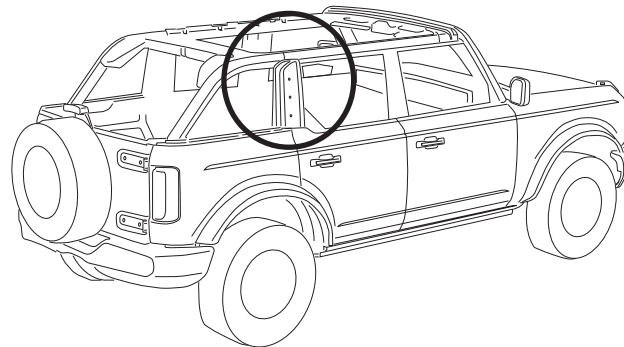


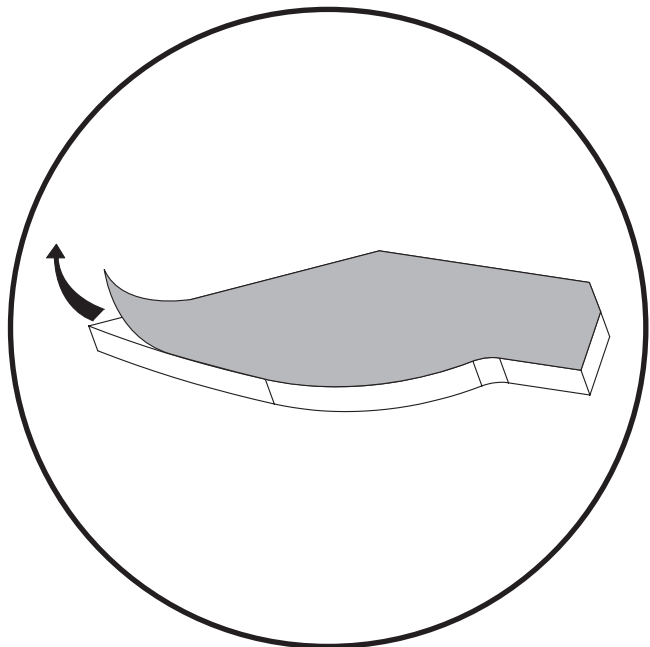
SCREW, M6 X 1.0 X 30mm
Part #533.19
Qty. 8



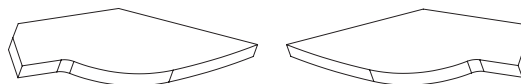
Place the Vertical Window Retainer Right (Part # 597.58) on the vehicle then attach with three (3) M6 x 30mm Screws (Part #533.19).

Repeat this step on the left side of the vehicle.



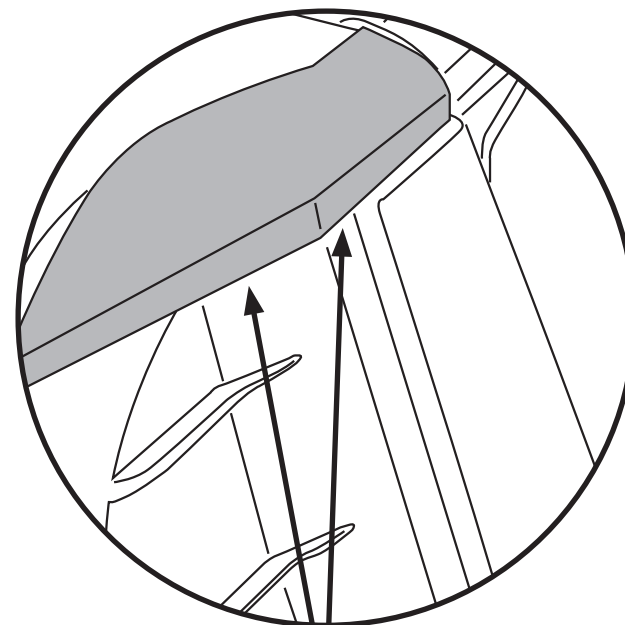
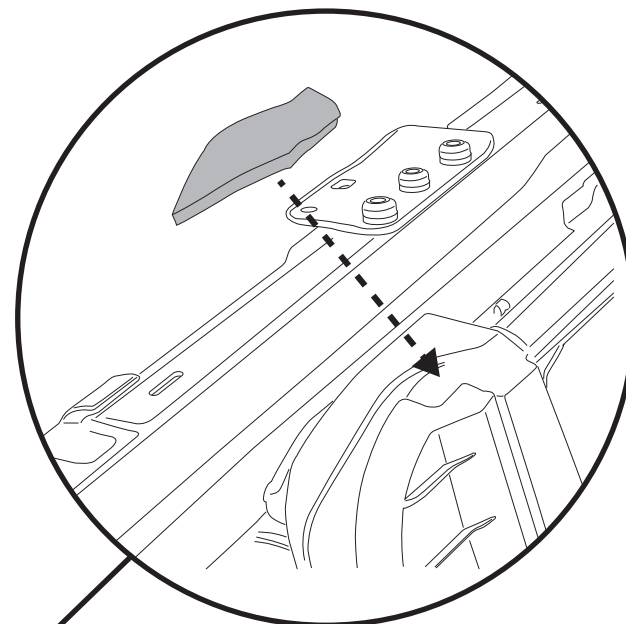


Parts



Vertical Window Retainer Seal Right
Part #608.72
Qty. 1

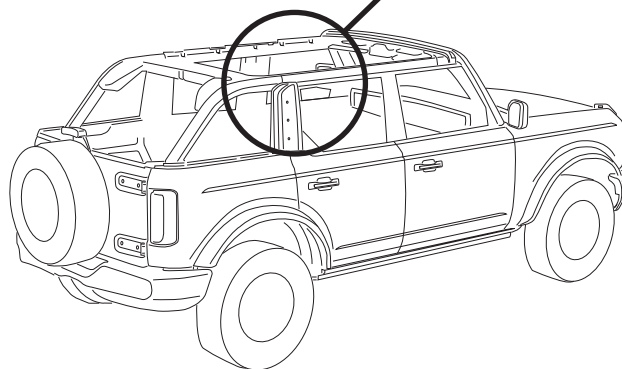
Vertical Window Retainer Seal Left
Part #608.73
Qty. 1



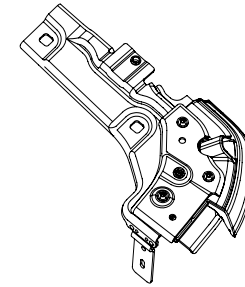
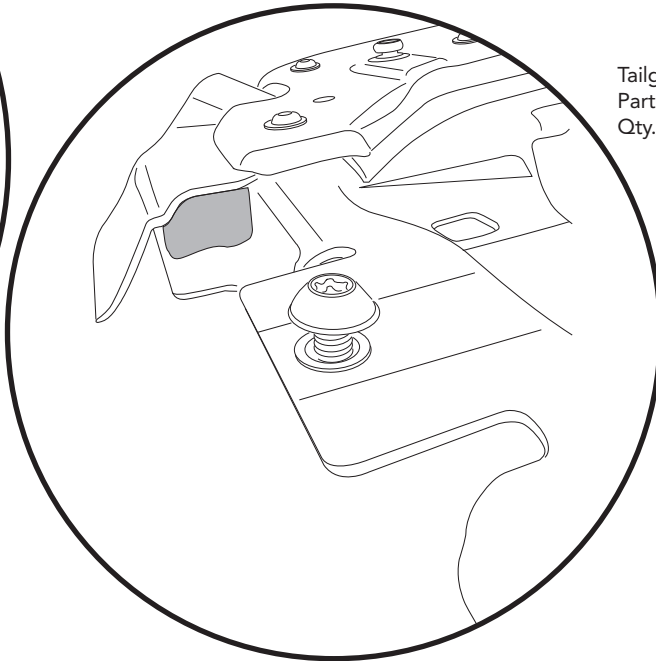
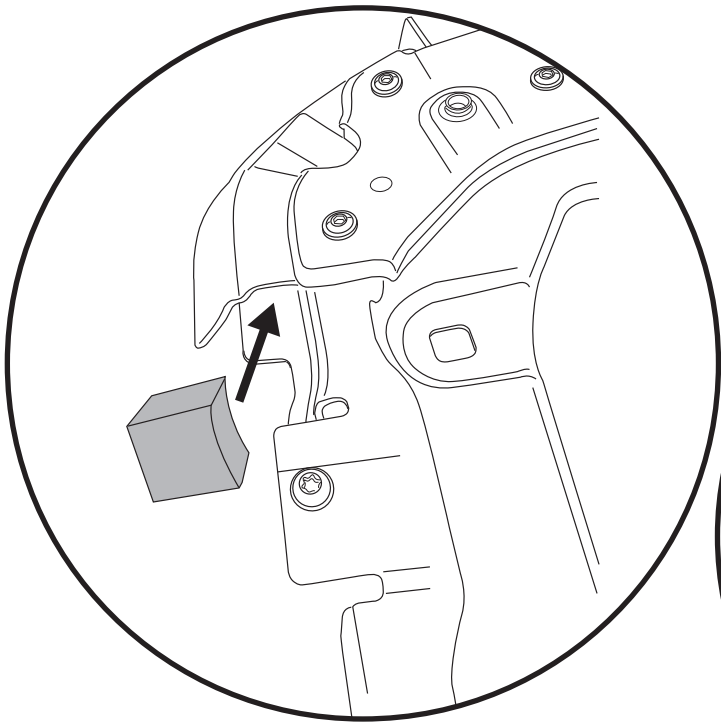
Align Here

Peel the protective paper from the back of the Vertical Window Retainer Seal Right, (Part#608.72) flip it over and adhere it to the top of the of the Vertical Window Retainer Right.

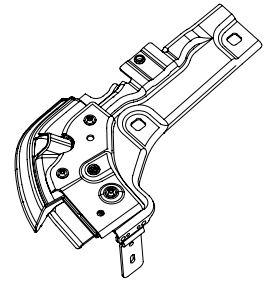
Repeat this step on the left side of the vehicle.



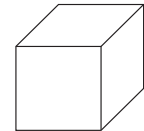
Parts



Tailgate Bar Retainer Right
Part #597.88
Qty. 1



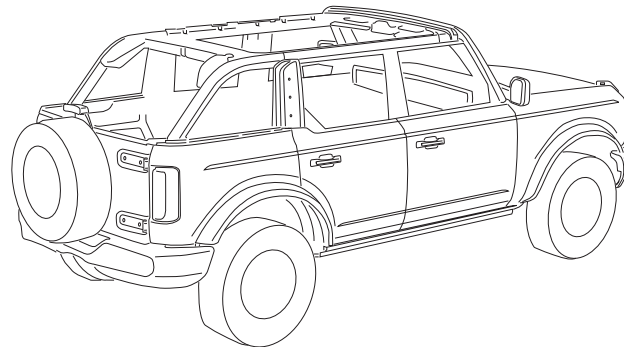
Tailgate Bar Retainer Left
Part #597.89
Qty. 1



Tailgate Bar Retainer Foam
Part #615.70
Qty. 2

Insert the Tailgate Bar Retainer Foam between the upper and lower pieces of the Tailgate Bar Retainer.

Repeat this step on the left side Tailgate Bar Retainer.

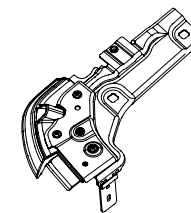


Tools

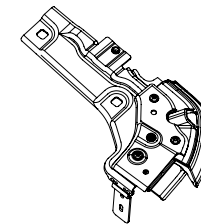


T30, T40
and T50
Torx Drivers

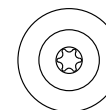
Hardware



Tailgate Bar Retainer
Left
Part #597.89
Qty. 1



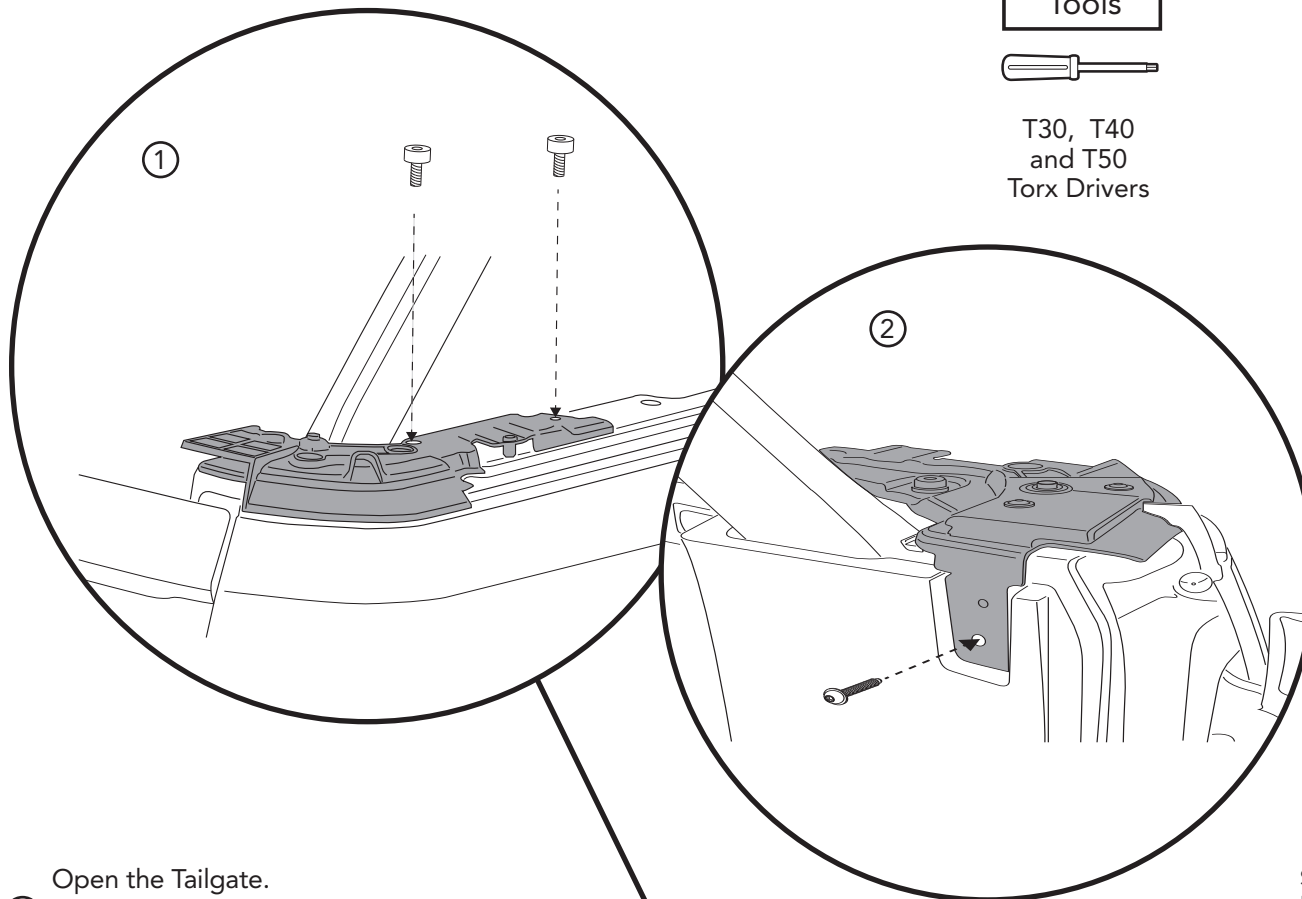
Tailgate Bar Retainer
Right
Part #597.88
Qty. 1



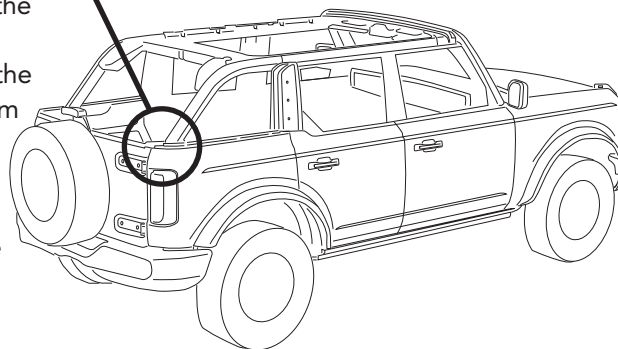
Screw, M8 X 1.25mm X 28mm
Part #534.24
Qty. 4
T-40 Torx



SCREW, M6 X 1.0 X 30mm
Part #533.19
Qty. 2
T-30 Torx



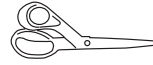
- ① Open the Tailgate.
Place the Tailgate Bar Retainer (Part #597.88 Right Side) and (Part # 597.89 Left Side) on the corner of the vehicle and attach with two (2) M8 x 24mm bolts that were removed when the Hard Top was removed or two (2) M8 x 28mm bolts (Part # 534.24). Be careful not to damage the seal on the body.
- ② Attach the tab that is hanging down into the tailgate opening with a M6 x 1.0 x 30 Screw (Part #533.19).



Tip

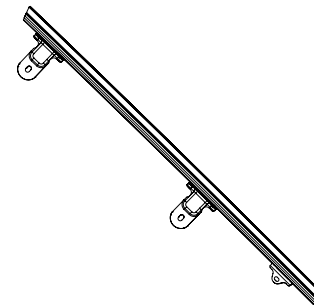
Leave these fasteners loose until the Window Belt Retainers are installed. Then tighten all of the fasteners.

Tools

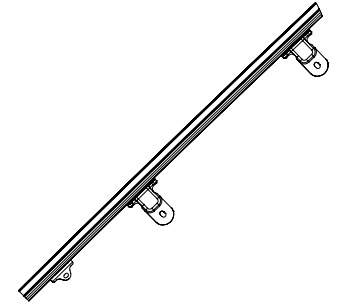


Scissors

Hardware



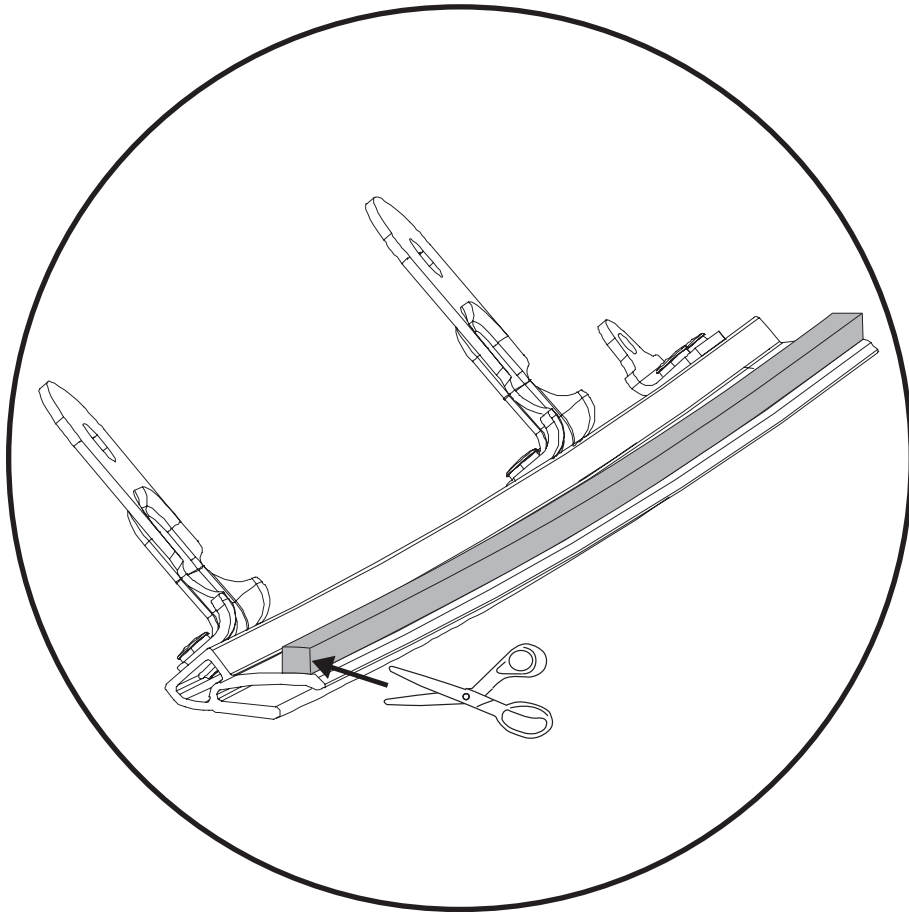
Belt Retainer Right
Part #599.94
Qty. 1



Belt Retainer Left
Part #599.95
Qty. 1

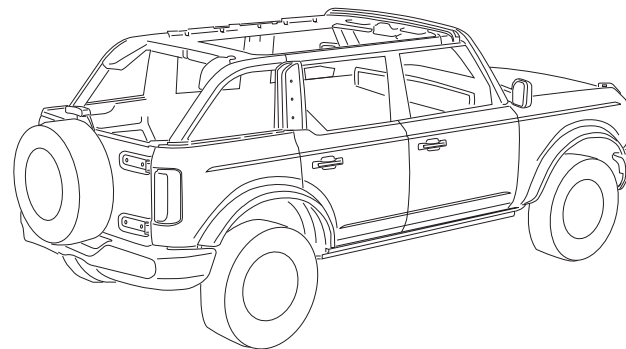


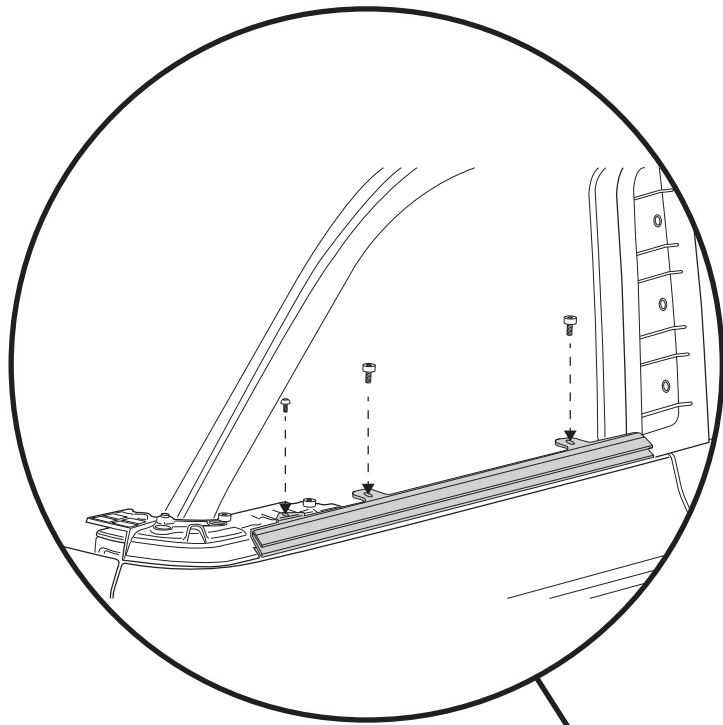
Belt Rail Retainer Foam
Part #615.71
Qty. 2



Peel the protective strip from the back of the Belt Rail Retainer Foam then place it on the under side of the Belt Rail Retainer. Cut off excessive foam with scissors.

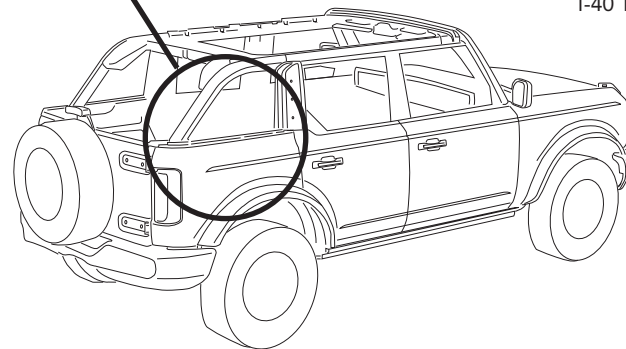
Repeat this step on the left side Belt Rail Retainer.





Attach the Window Belt Retainer (Part # 599.94 right side) and (Part #599.95 left side) to the vehicle body using two (2) M8 x 24 mm Screws that were used to attach the Hard Top to the vehicle or two (2) M8 x 28mm bolts (Part # 534.24) and one (1) M6 x 15mm screw (Part # 533.61).

Repeat this steps on the left side of the vehicle.

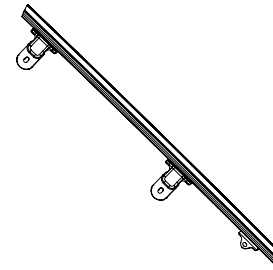


Tools

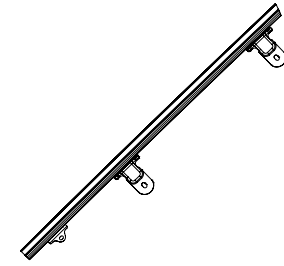


T30, T40
and T50
Torx Drivers

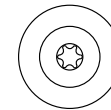
Hardware



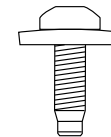
Belt Retainer Right
Part #599.94
Qty. 1



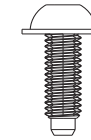
Belt Retainer Left
Part #599.95
Qty. 1



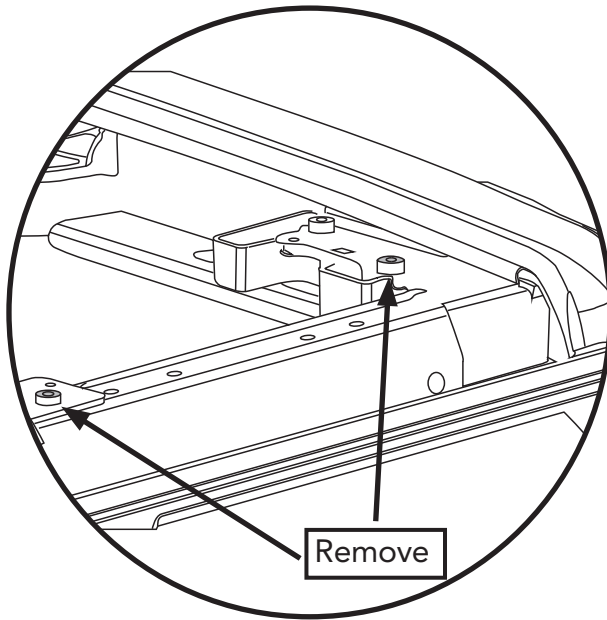
Screw, M8 X 1.25mm X 28mm
Part #534.24
Qty. 4
T-40 Torx



SCREW, M6 X 1.0 X 15mm
Part #533.61
Qty. 2
T-30 Torx



Step 1



Remove the bolts from the vehicle (two from each side) and hold onto it. These bolts will be reused in the next step.

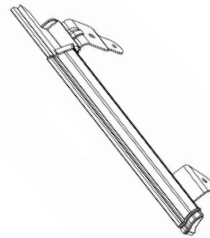
Note: Remember the place where the fasteners were removed from.

Tools

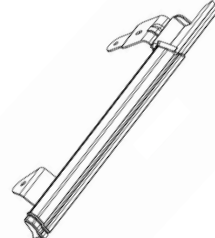


T50
Torx Driver

Parts



Front Door Rail Left
Part #599.99
Qty. 1

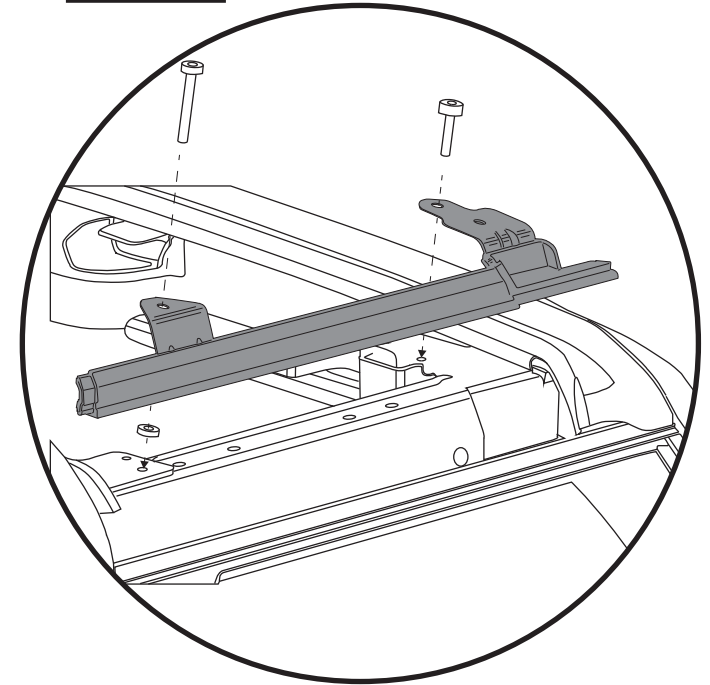


Front Door Rail Right
Part #599.98
Qty. 1



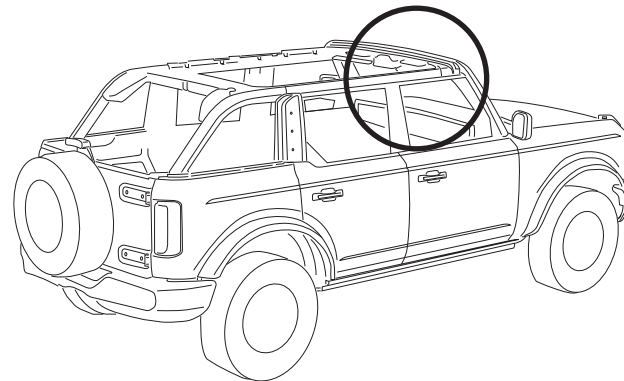
Spacer, 5.5MM
Part #603.20
Qty 2

Step 2

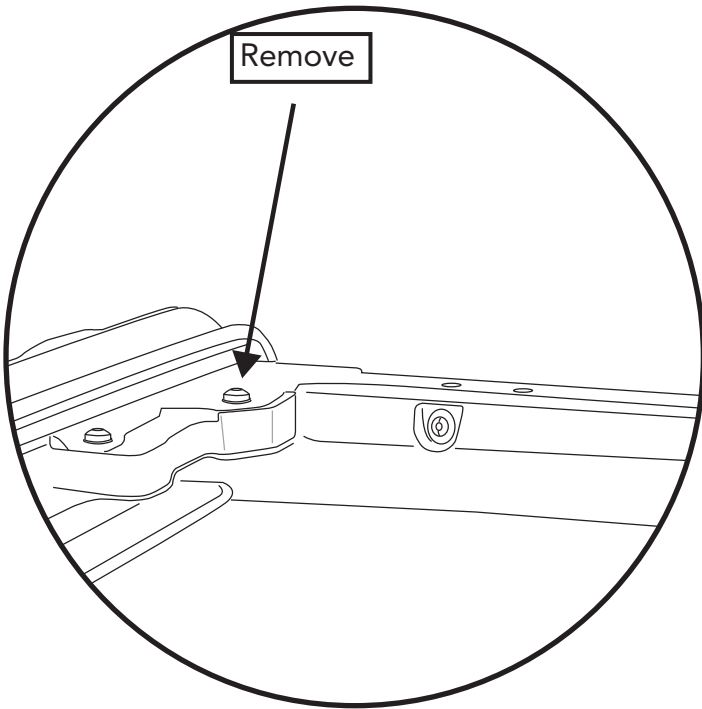


Attach Front Door Rails to the vehicle using the bolts that were removed from Step 1 and one (1) 5.5 mm spacers (Part # 603.20). Leave fasteners loose at this time.

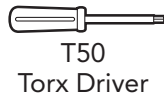
Repeat this step on the left side of the vehicle.



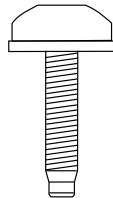
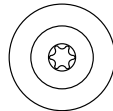
Step 1



Tools



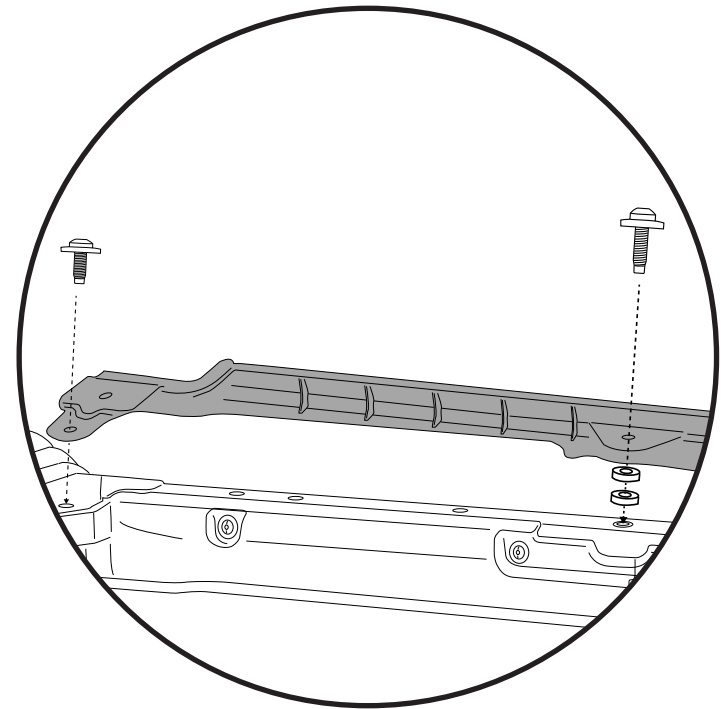
Parts



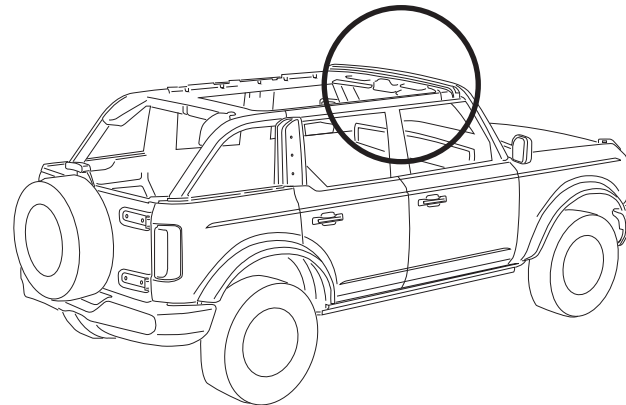
Screw, M8 X 1.25 X 38mm
Part #532.17
Qty. 6
T-50 Torx

Spacer, 5MM
Part #603.20
Qty. 4

Step 2



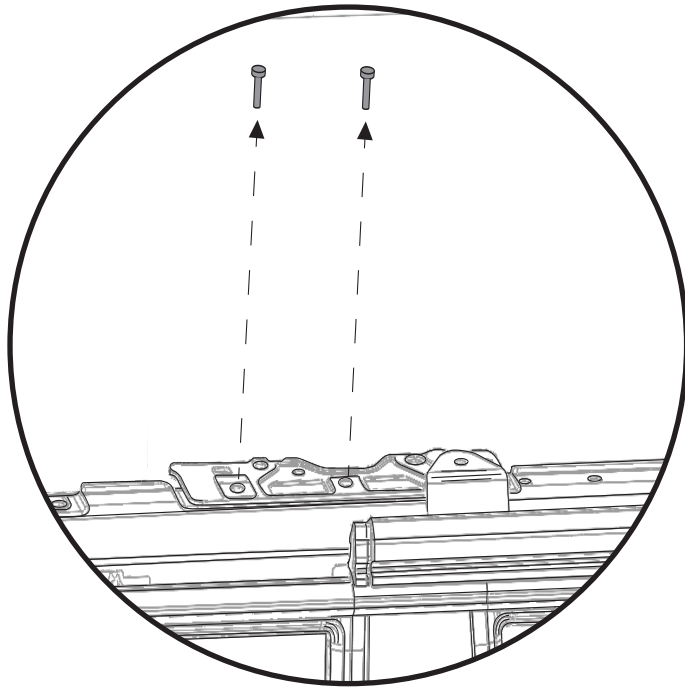
Remove this bolt from the vehicle (one from each side) and hold onto it. This bolt will be reused in step 2.



Attach Front Door Rails to the vehicle using the bolt that were removed from in Step 1 and One (1) M8 X 125 X38mm Screw (Part # 532.17) and two (2) 5.5mm spacers (Part # 603.20). Leave fasteners loose at this time.

Repeat this step on the left side of the vehicle.

Step 1

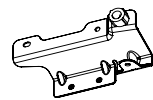


Tools

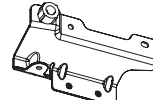


T50
Torx Driver

Parts



Main Pivot Bracket
Left
Part #602.63
Qty. 1

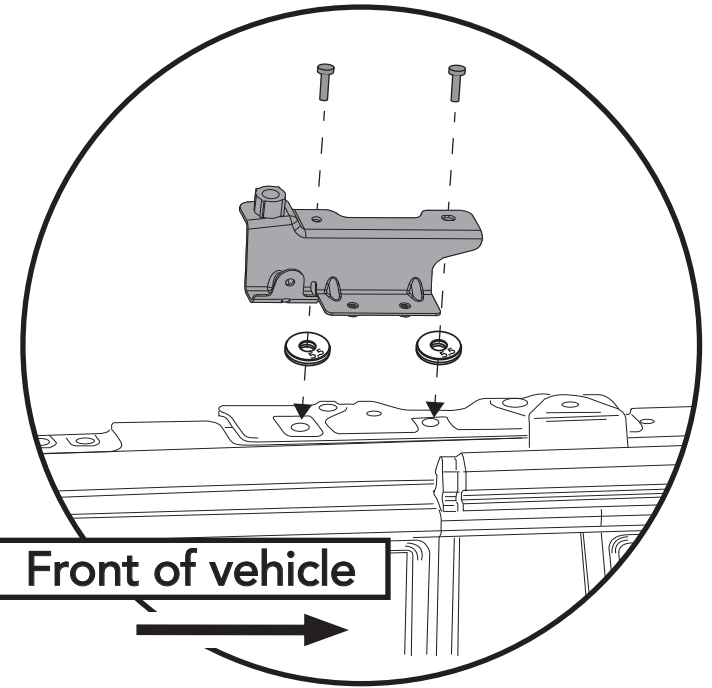


Main Pivot Bracket
Right
Part #602.62
Qty. 1



Spacer, 5MM
Part #603.20
Qty. 4

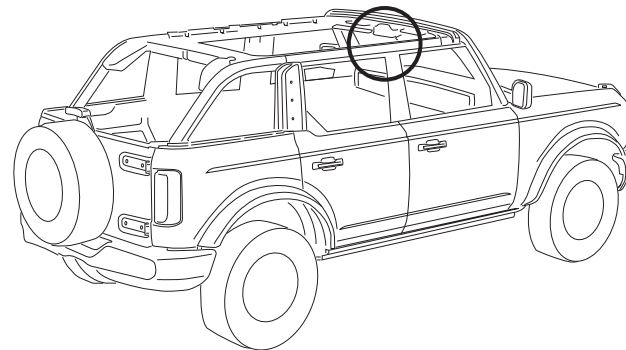
Step 2



Remove the two (2) bolts shown in the illustration and hold onto them. These bolts will be reused in step 2.

Install the Main Pivot Brackets (Part # 602.62 Right Side) and Part #602.63 Left Side) using the screws that were removed in step 1 and two (2) Spacers Part # 603.20.

Repeat this step on the left side of the vehicle.

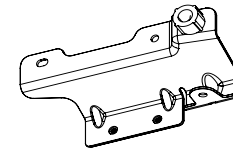


Tools

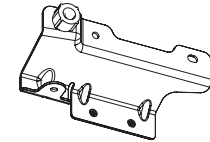


T50
Torx Driver

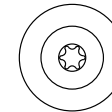
Parts



Main Pivot Bracket
Left
Part #602.63
Qty. 1



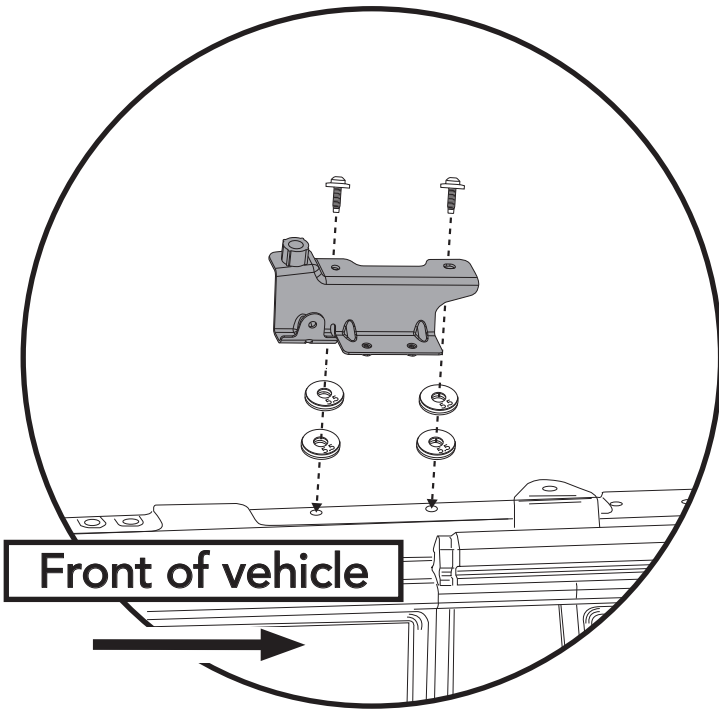
Main Pivot Bracket
Right
Part #602.62
Qty. 1



Screw, M8 X 1.25 X 38mm
Part #532.17
Qty. 4
T-50 Torx



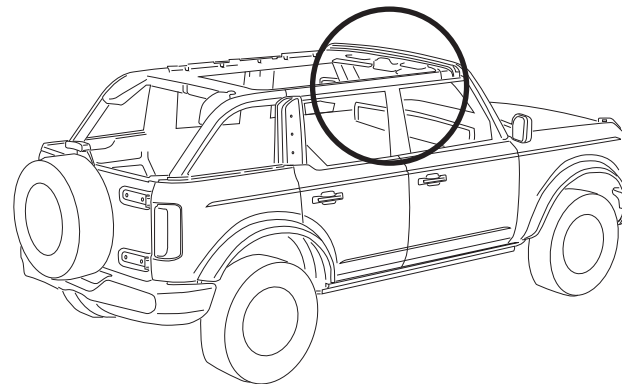
Spacer, 5MM
Part #603.20
Qty. 8



Front of vehicle

Install the Main Pivot Brackets (Part # 602.62 Right Side) and Part #602.63 Left Side) using two (2) M8 X 1.25 X 38mm screws (Part # 532.17) and four (4) Spacers (Part # 603.20).

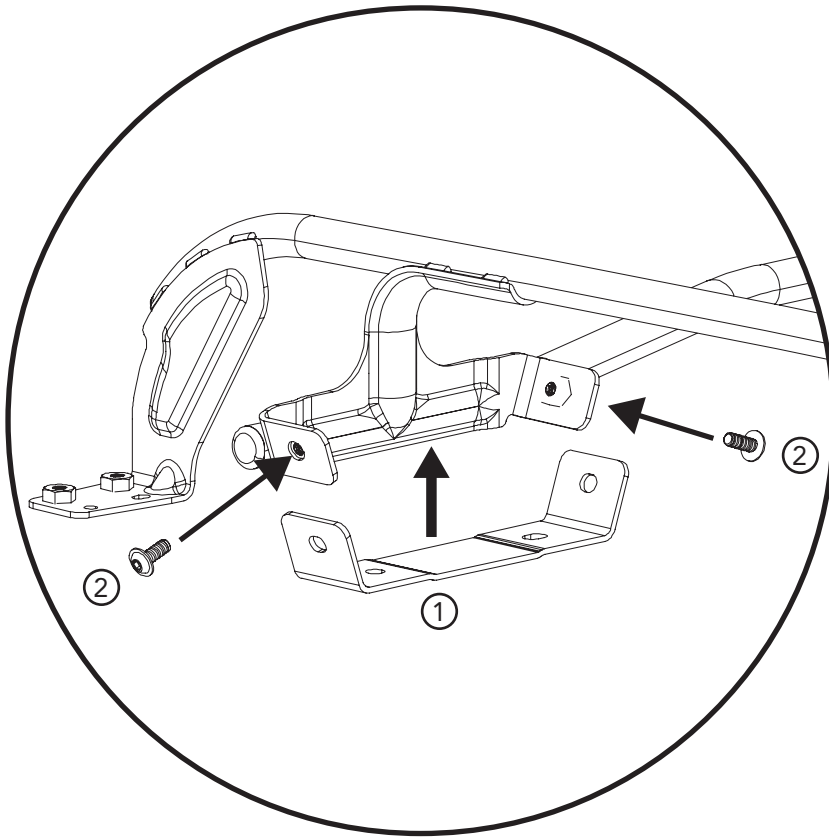
Repeat this step on the left side of the vehicle.



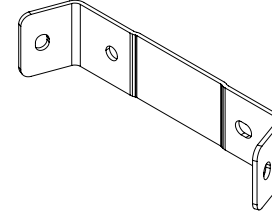
Tools



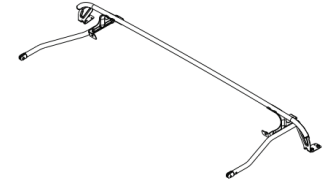
T30
Torx Driver



Parts



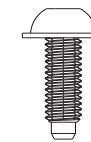
Rear Halo Mounting
Bracket
Part #599.39
Qty. 2



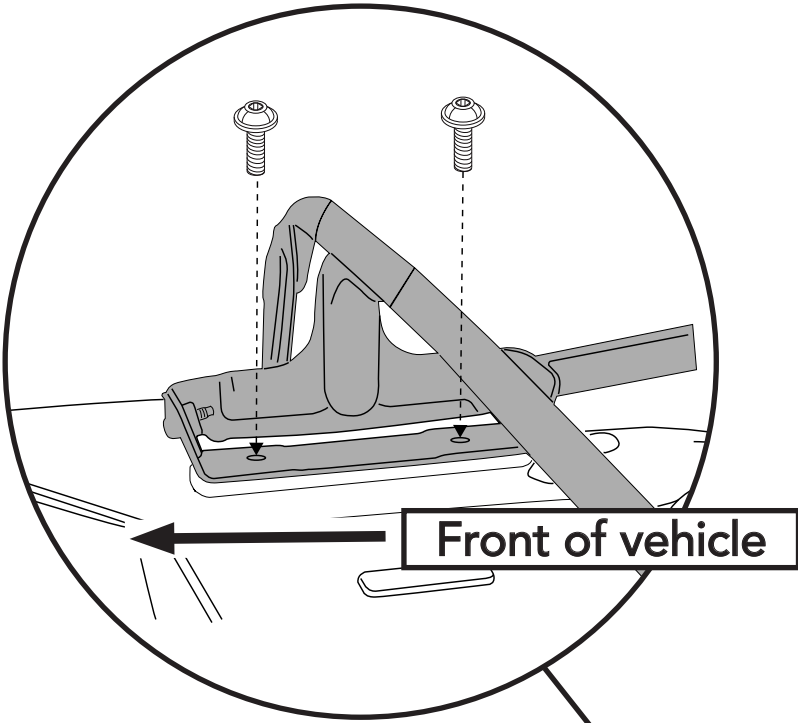
#3 Bow Assembly
Part #600.88
Qty. 1

- 1 Align the Rear Halo Mounting Bracket (Part # 599.39) to the #3 Bow Assembly (Part #3 600.88).
- 2 Attach using two (2) M6 X 1.0 X 15mm screws (Part # 533.61).

Repeat this step on the other side of the #3 Bow.



SCREW, M6 X 1.0 X 15mm
Part #533.61
Qty. 4
T-30 Torx

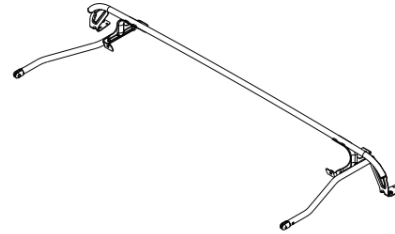


Tools

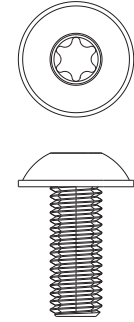


T40
Torx Driver

Parts



#3 Bow Assembly
Part #600.88
Qty. 1



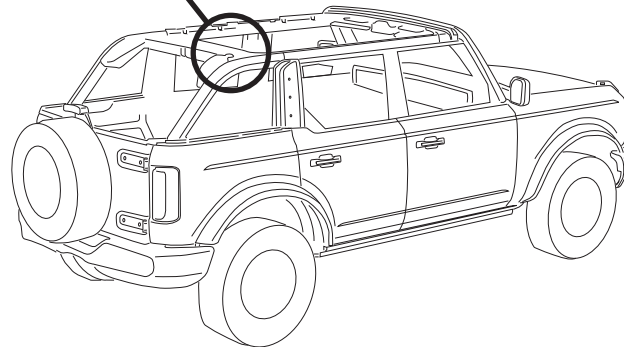
Screw, M8 X 1.25 X 20mm
Part #573.09
Qty. 4
T-40 Torx

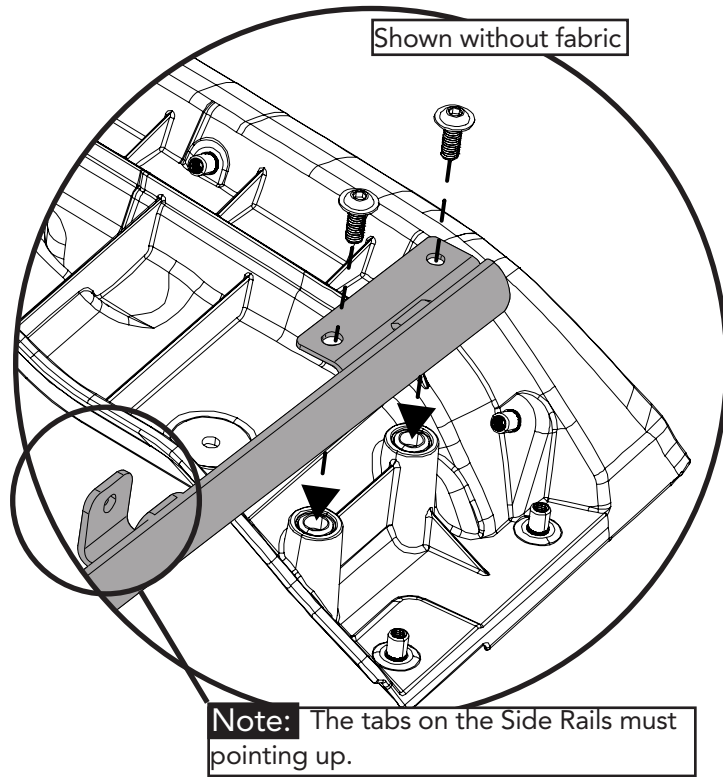
Attach the #3 Bow with two (2) #573.09 screws.

Note: Make sure the arms are going towards the rear of the vehicle.

Repeat this step on the left side of the vehicle.

Hang in there,
You are halfway through.



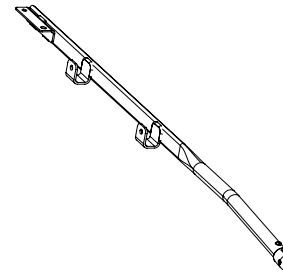


Tools

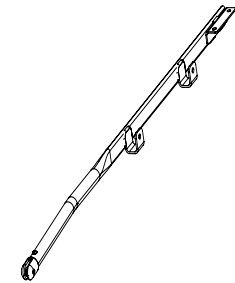


T30
Torx Driver

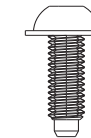
Parts



Front Side Rail Right
Part #600.82
Qty. 1



Front Side Rail Left
Part #600.83
Qty. 1 using

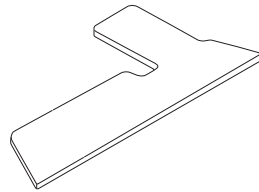
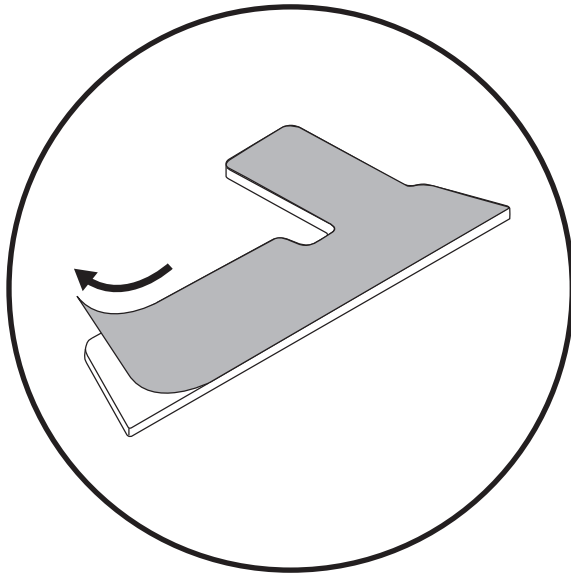


SCREW, M6 X 1.0 X 15mm
Part #533.61
Qty. 4
T-30 Torx

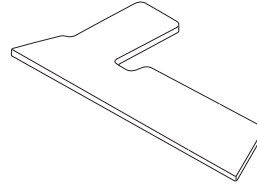
Place the Top (Fabric Assembly) on a clean flat surface and fold the fabric forward to expose the #1 Bow (Molded part with the latches). Attach the Side Bows (Part #600.82 right side) and (Part #600.83 left side) using two (2) M6x1.0x15 Screws. (Part # 533.61)

Repeat this step on the left side of assembly.

Parts



#1 Bow Foam Seal Rt
Part #615.66
Qty. 1

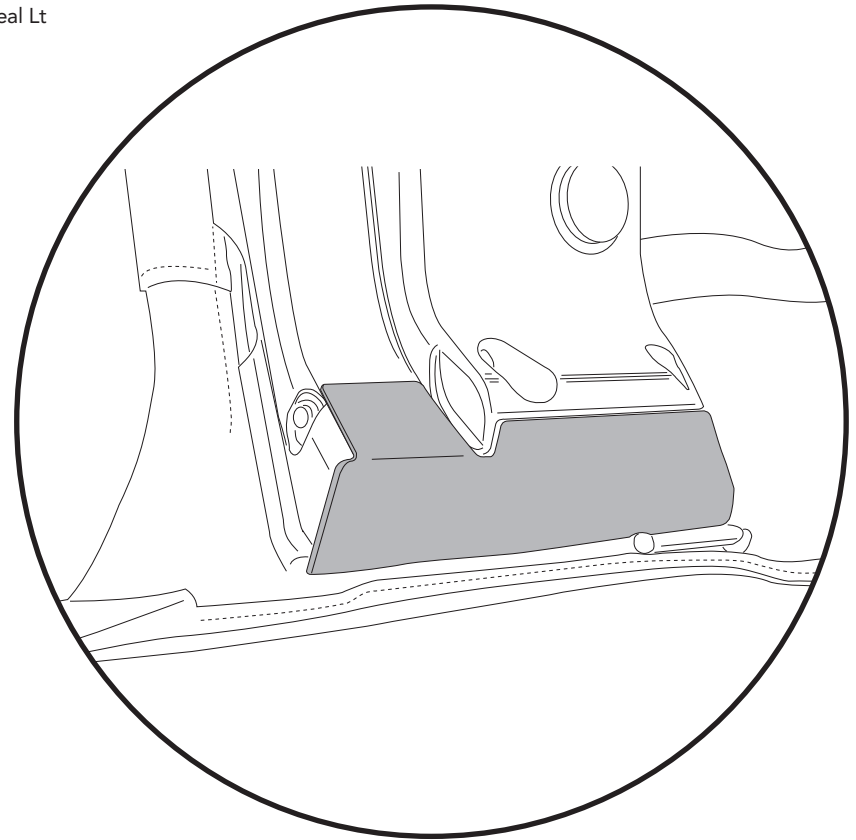


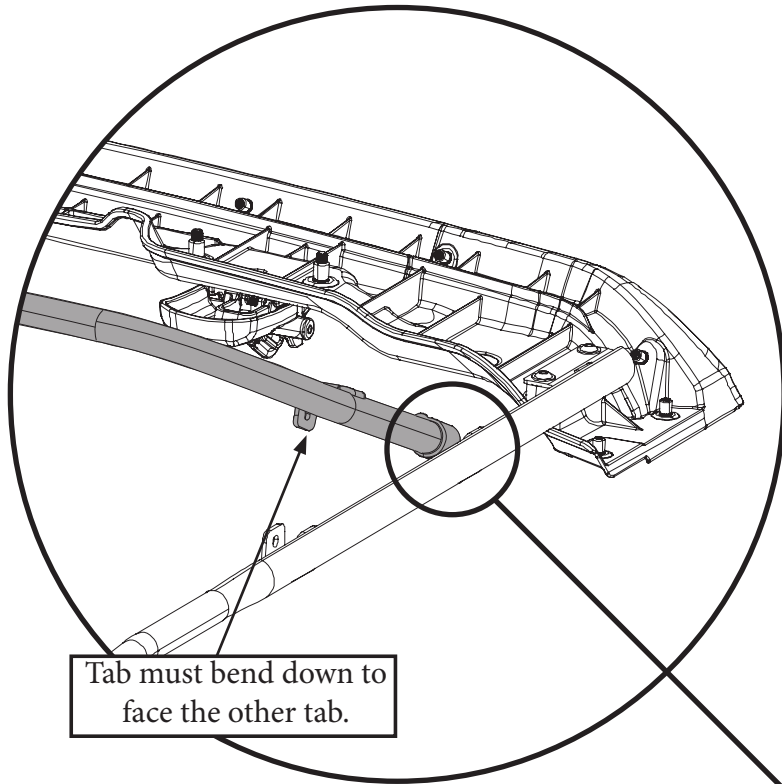
#1 Bow Foam Seal Lt
Part #615.67
Qty. 1

Fold the Fabric Assembly back over the #1 bow.

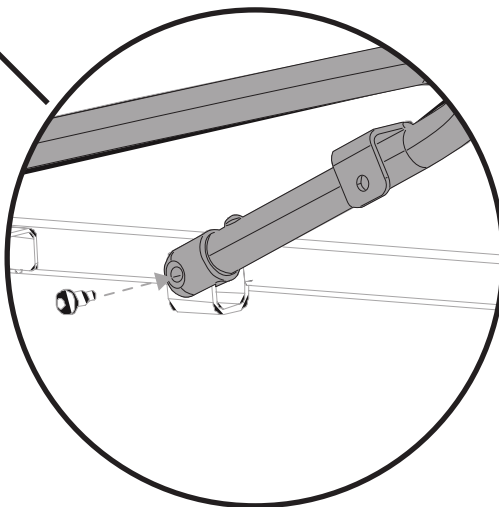
Peel the protective paper from the back of the #1 Bow Foam Seal (Part #615.66) then adhere it to the side of the #1 Bow.

Repeat this step on the left side of the assembly.





Tab must bend down to face the other tab.

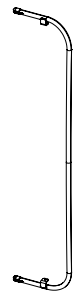


Tools



T30
Torx Driver

Parts

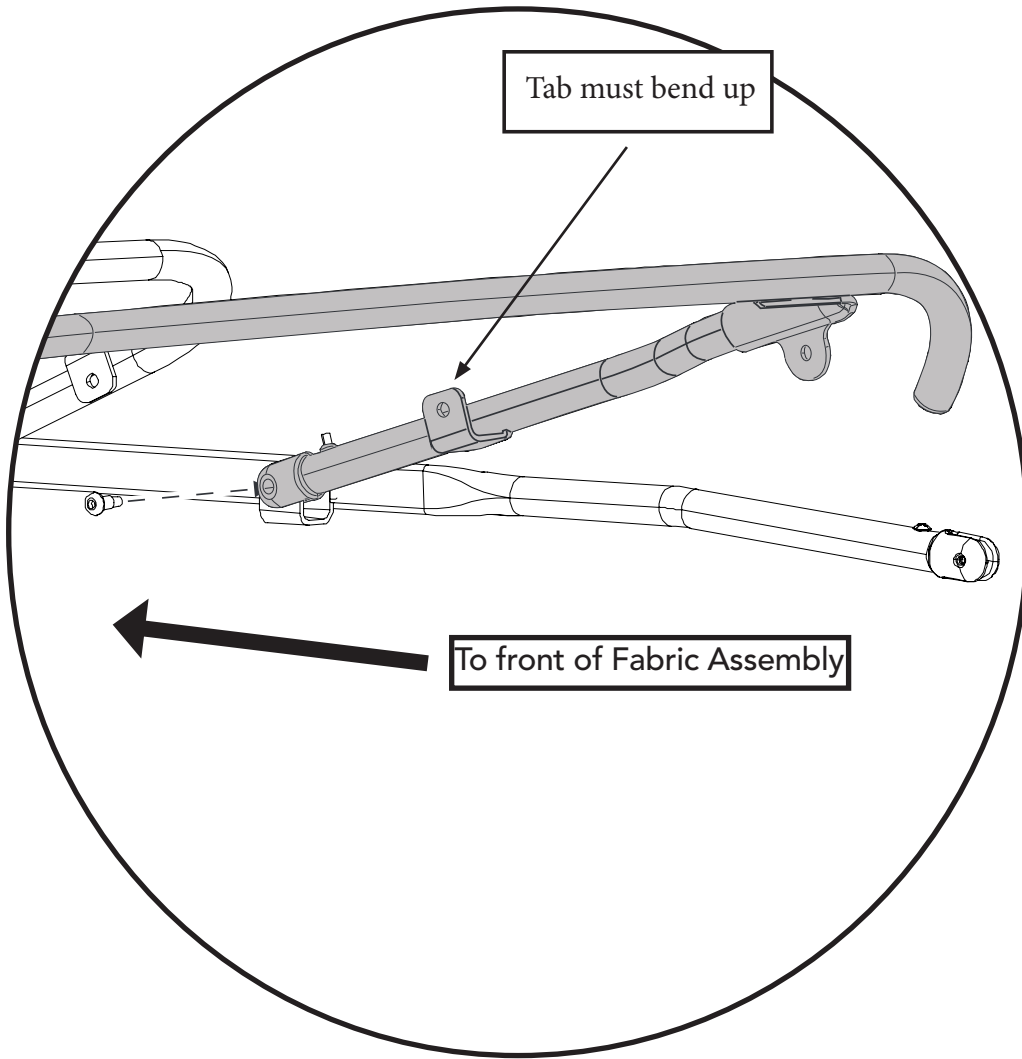


1.5 Bow Assembly
Part #602.46
Qty. 1



SCREW, Pivot Knuckle
Part #308.65
Qty. 2
T-30 Torx

Attach the 1.5 Bow (Part #602.46) to the Front Side Rails using two (2) of the #308.65 screws.
Repeat this step on the left side of the assembly.



Tools



T30
Torx Driver

Parts

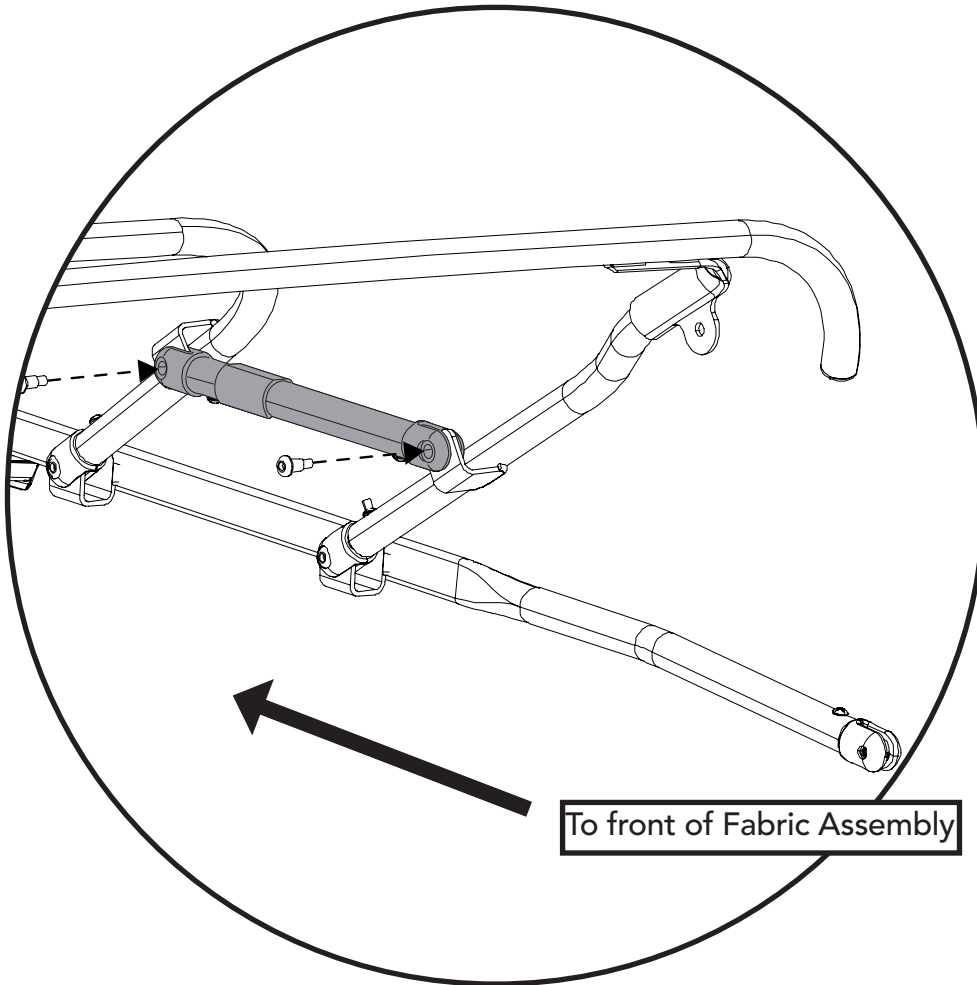


#2 Bow Assembly
Part #600.84
Qty. 1



SCREW, Pivot Knuckle
Part #308.65
Qty. 2
T-30 Torx

Attach the 2 Bow (Part #600.84) to the Front Side Rails using two (2) of the #308.65 screws.
Repeat this step on the left side of the assembly.



Attach the Control Linkage (Part #602.75) to the Front Side Rails using two (2) of the #308.65 screws. Repeat this step on the left side of the assembly.

Tools



T30
Torx Driver

Parts



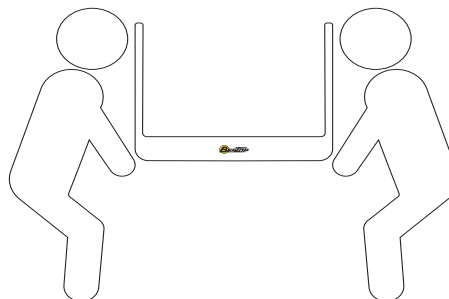
Control Linkage
Part #602.75
Qty. 2



SCREW, Pivot Knuckle
Part #308.65
Qty. 2
T-30 Torx

Tip

It will be easier lifting the fabric assembly onto the vehicle with two people.



Tools



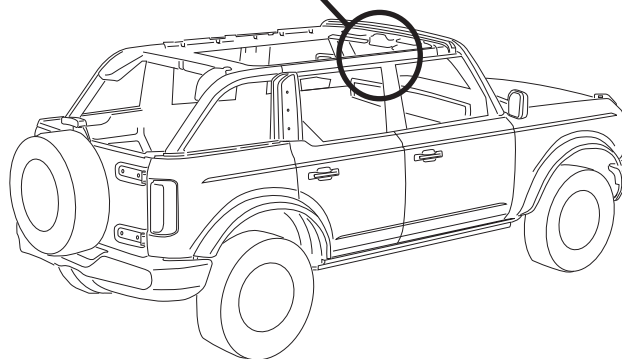
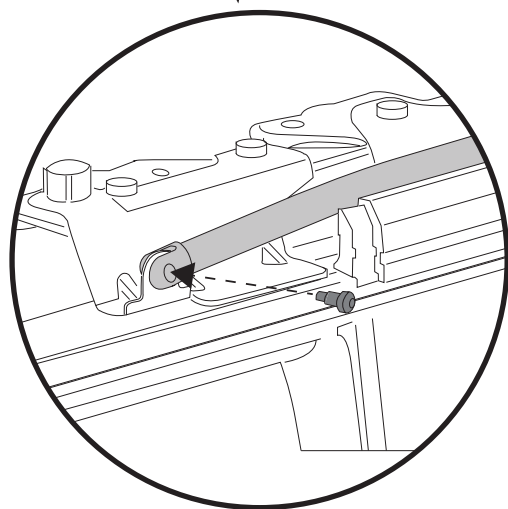
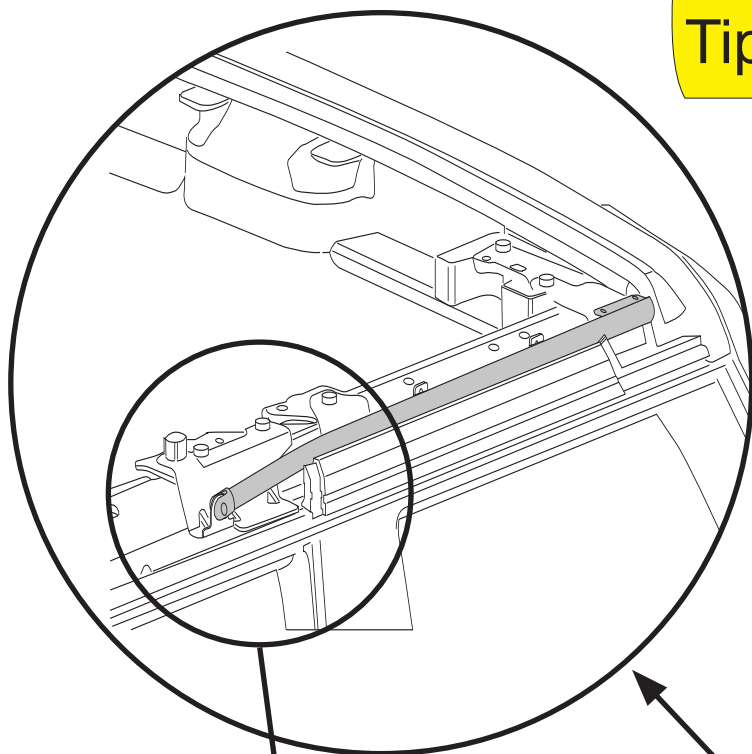
T30
Torx Driver

Parts



SCREW, Pivot Knuckle
Part #308.65
Qty. 2
T-30 Torx

Lift the top assembly on top of the vehicle with the side bows going towards the rear of the vehicle. Allow the fabric and the rear halo to rest on the hood of the vehicle while you attach the Side Bows to the Main Pivot Brackets using one (1) Pivot Knuckle Screw (Part #308.65). Repeat this step on the left side of the vehicle.



Tip

Remove antenna to make access to the right side of the vehicle easier.

Tools



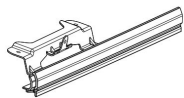
T30 and T40
Torx Driver

Parts

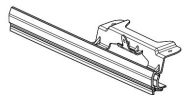


SCREW, M6 X 1.0 X 15mm
Part #533.61
Qty. 4
T-30 Torx

Screw, M8 X 1.25mm X 28mm
Part #534.24
Qty. 4
T-40 Torx

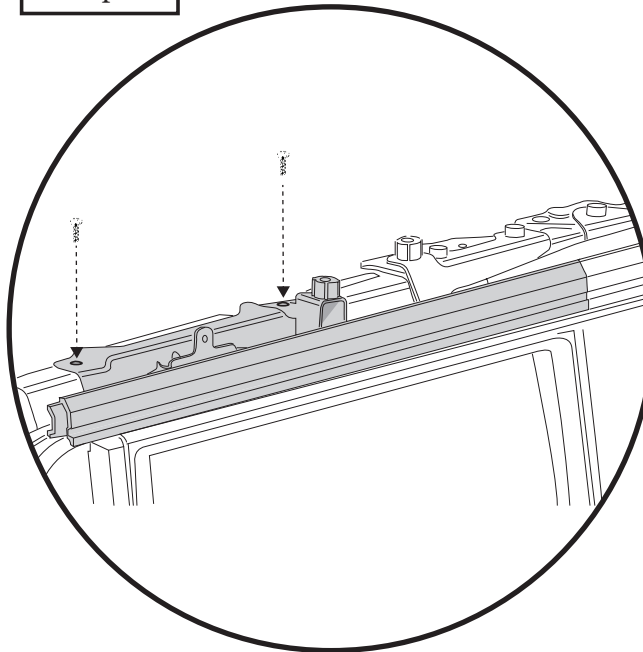


Upper Rear Door Rail Right
Part #600.10
Qty. 1



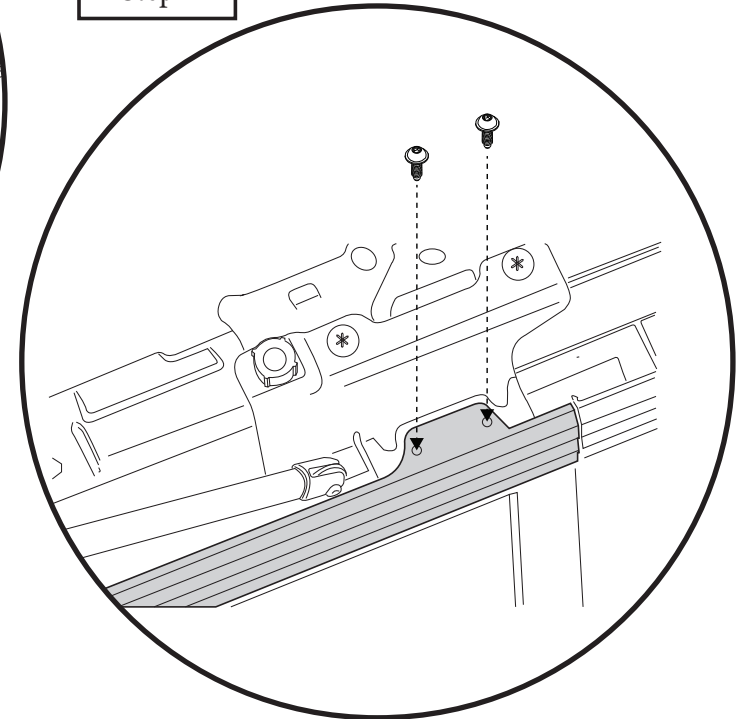
Upper Rear Door Rail Left
Part #600.11
Qty. 1

Step 1



Mount the Upper Rear Door Rail (Part #600.10 Right Side) and (Part #600.11 Left Side) to the vehicle using two (2) of the M8 X 1.25 X 28 screws. (Part #534.24) Leave fasteners loose at this time.

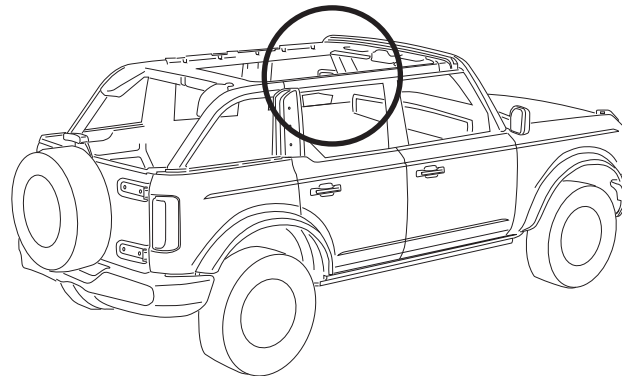
Step 2

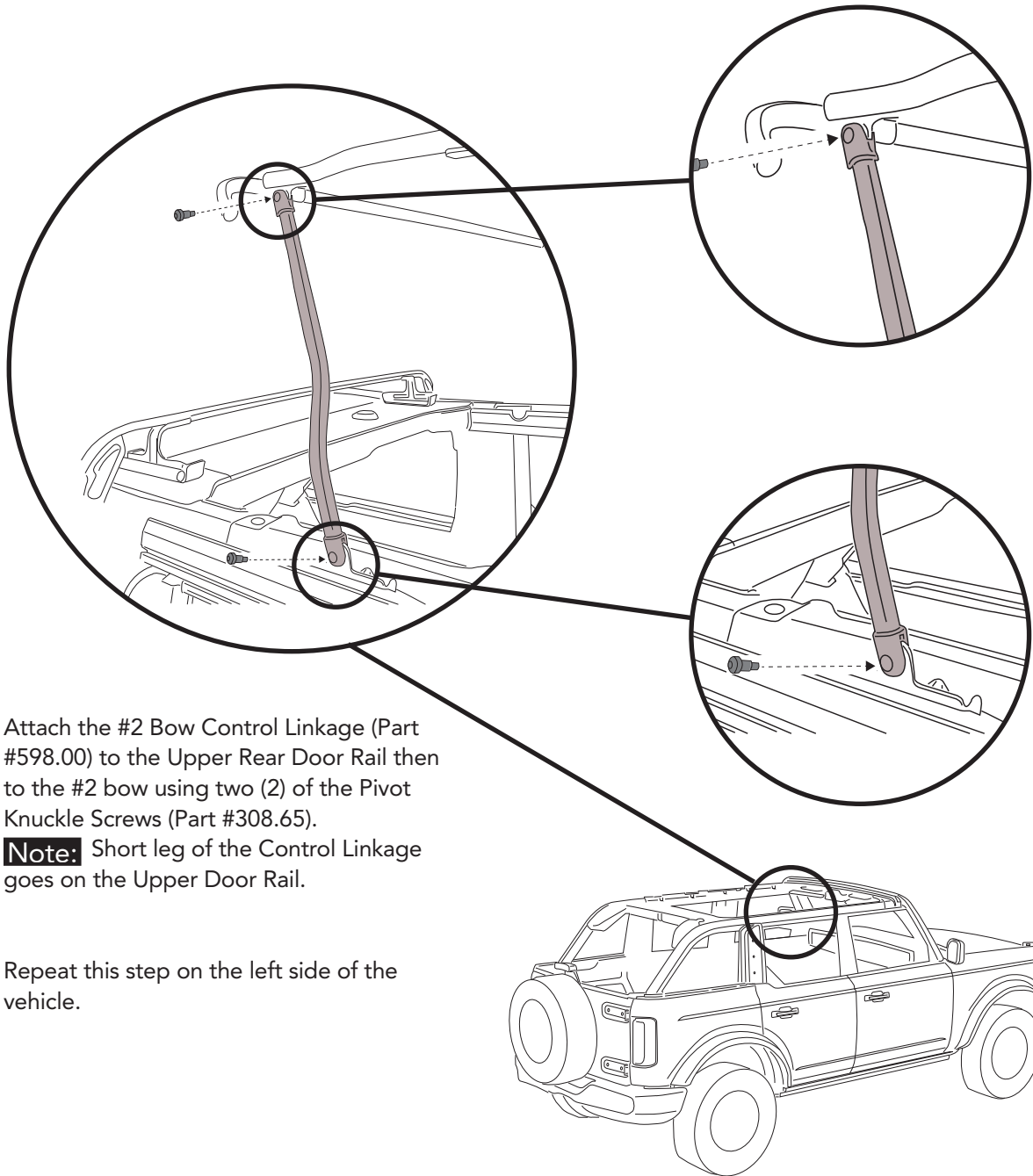


Fold the whole Top (Deck Assembly) back. (Including the #1 bow) to gain access to the front screw locations.

Install two (2) of the M6 X 1.0X 15.0 Screws (Part #533.61) through the Upper Rear Door Rail into the main bow mount. Make sure the Rear Door Rail doesn't overlap the Front Door Rail. Now you can tighten the fasteners that hold both the front and rear Door Rails secure.

Repeat this step on the left side of the vehicle.





Attach the #2 Bow Control Linkage (Part #598.00) to the Upper Rear Door Rail then to the #2 bow using two (2) of the Pivot Knuckle Screws (Part #308.65).

Note: Short leg of the Control Linkage goes on the Upper Door Rail.

Repeat this step on the left side of the vehicle.

Tools



T30
Torx Driver

Parts



SCREW, Pivot Knuckle
Part #308.65
Qty. 2
T-30 Torx



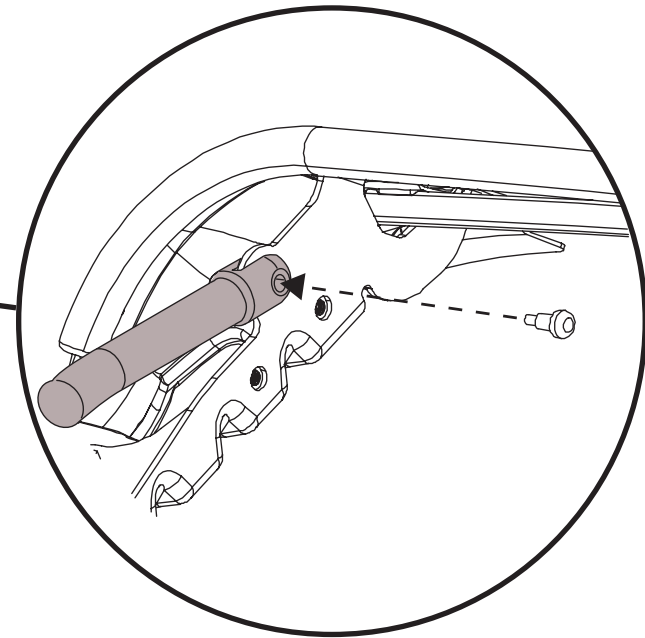
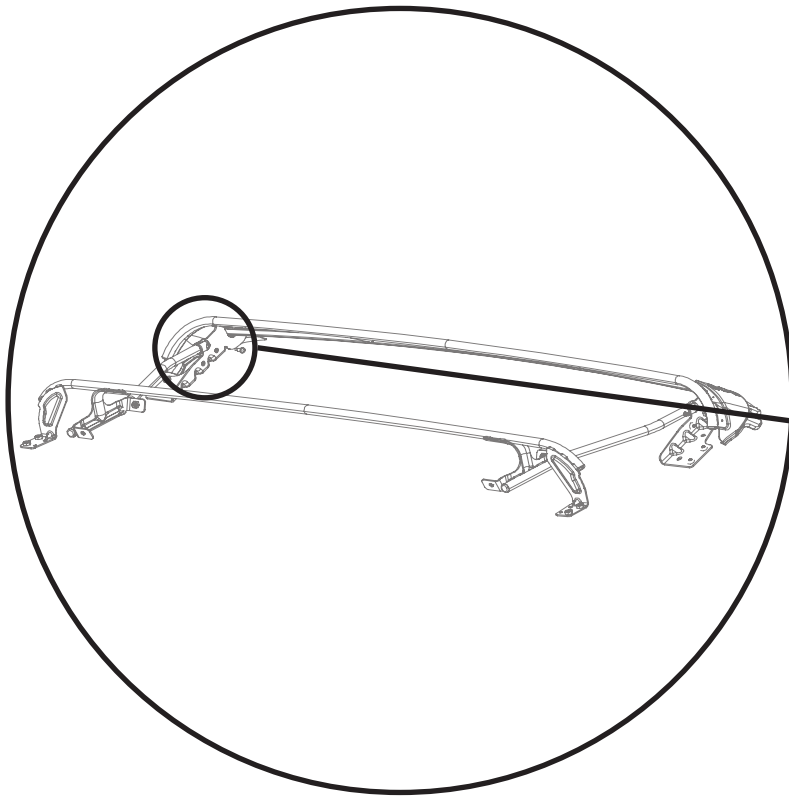
#2 Bow Control Link
Part #598.00
Qty. 2

Short Leg

Tools

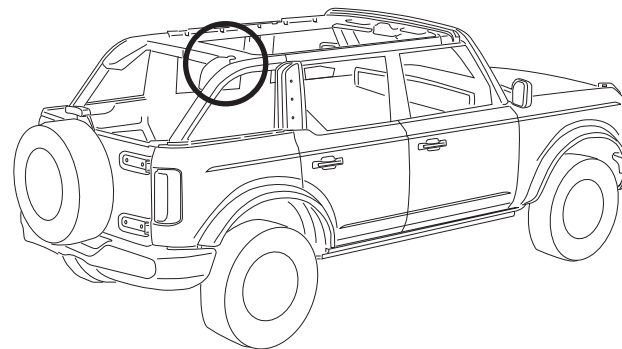


T30
Torx Driver



Attach the Rear Halo to the #3 Bow using one (1) Pivot Knuckle Screw. (Part #308.65)

Repeat this step on the left side of the vehicle.



Parts



SCREW, Pivot Knuckle
Part #308.65
Qty. 2
T-30 Torx

Tools

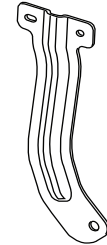


T30
Torx Driver

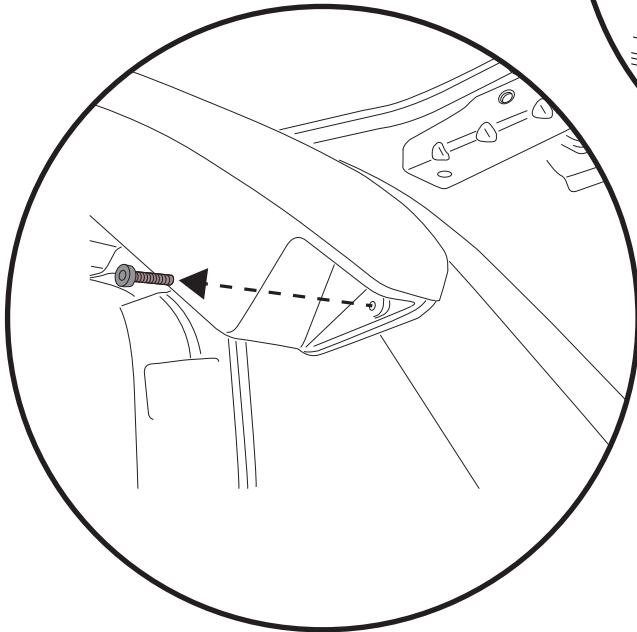
Parts



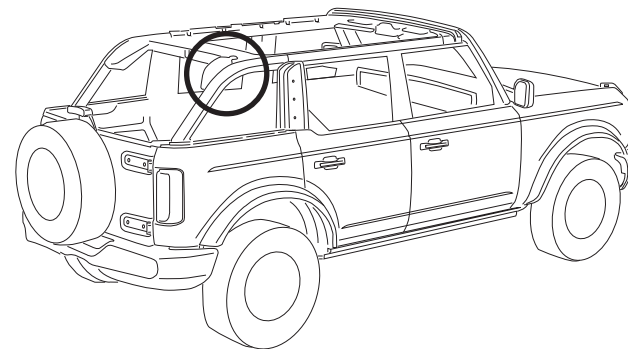
Rear Halo Bracket Right
Part #601.50
Qty. 1



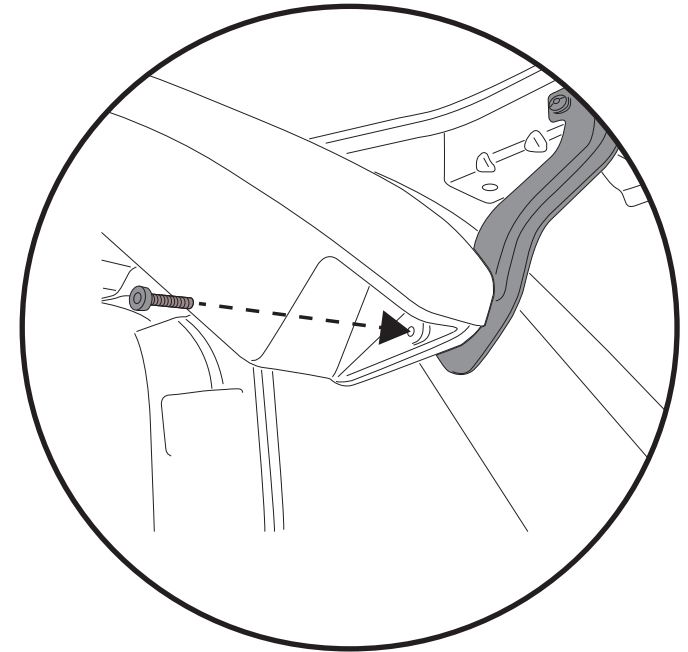
Rear Halo Bracket Left
Part #601.51
Qty. 1



Remove the bolt that mounts the
Speaker Pod to the Roll Bar.



Place the Rear Halo Bracket between
the speaker Pod and The Roll Bar.



Replace the bolt that mounts the
Speaker Pod to the Roll Bar.

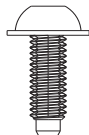
Repeat these steps on the left side of
the vehicle.

Tools

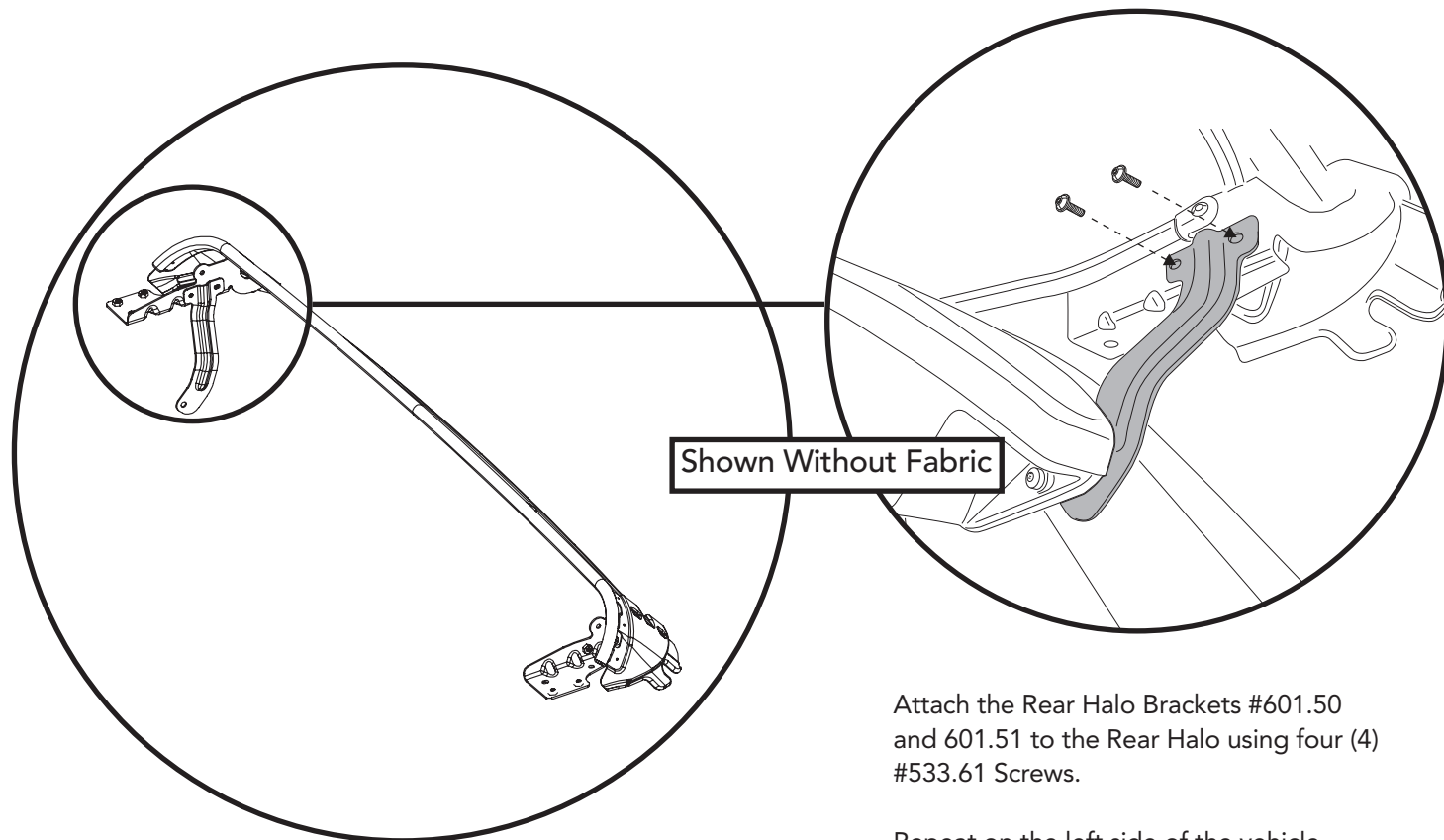


T30
Torx Driver

Parts

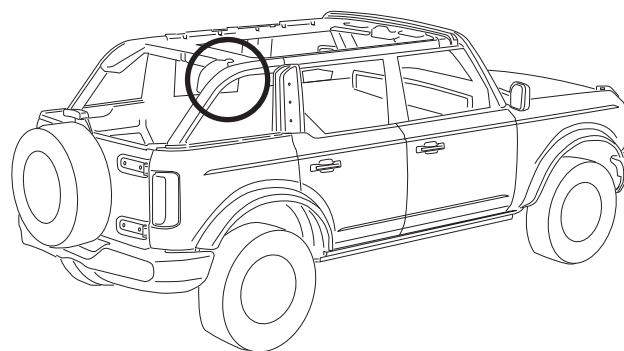


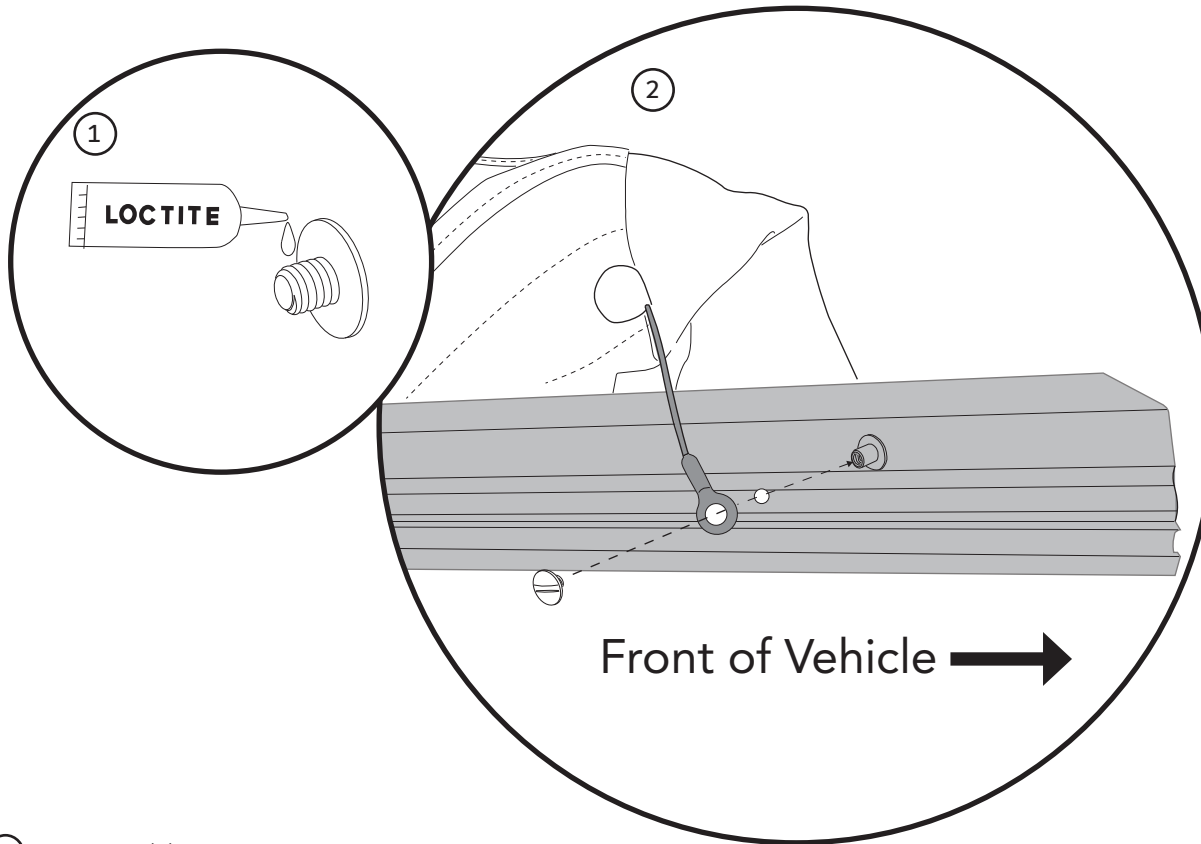
SCREW, M6 X 1.0 X 15mm
Part #533.61
Qty. 4
T-30 Torx



Attach the Rear Halo Brackets #601.50 and 601.51 to the Rear Halo using four (4) #533.61 Screws.

Repeat on the left side of the vehicle.

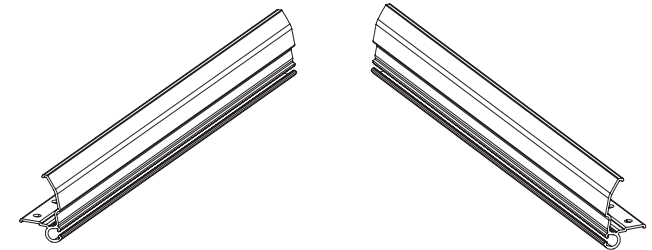




Tools



Hardware

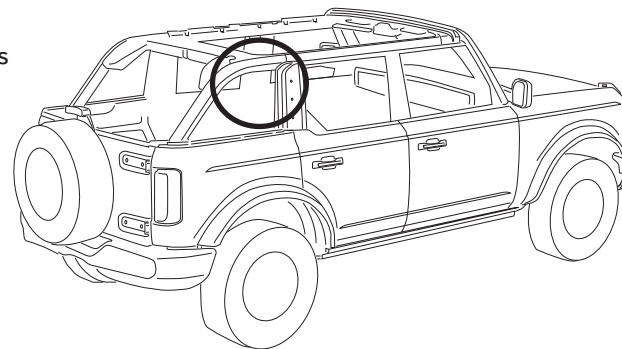


Retainer, Quarter Window
Right
Part #599.88
Qty. 1

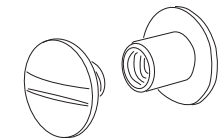
Retainer, Quarter Window
Left
Part #599.89
Qty. 1

- 1 Place one (1) drop of Loctite to the Binding Screw.
- 2 Find the Cable End in the Fabric Assembly. Attach it to the Upper Quarter Window Retainers (Part #599.88) for the passenger side and (Part # 599.89) for the driver side using one (1) Binding Screw (Part # 599.01) per side.

Repeat this step on the left side of the vehicle.



Loctite Capsule
Part #309.83
Qty. 1



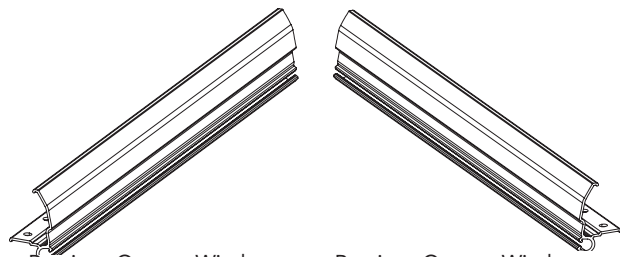
Screw, Binding Barrel
Part #599.01
Qty. 2

Tools



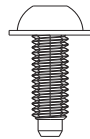
T30
Torx Driver

Hardware



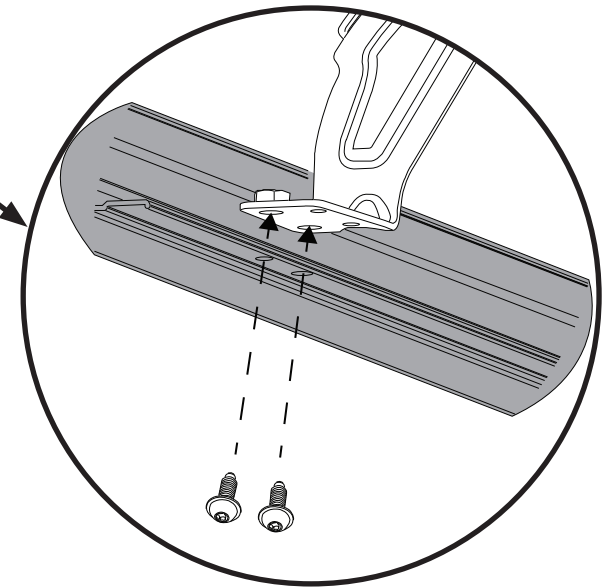
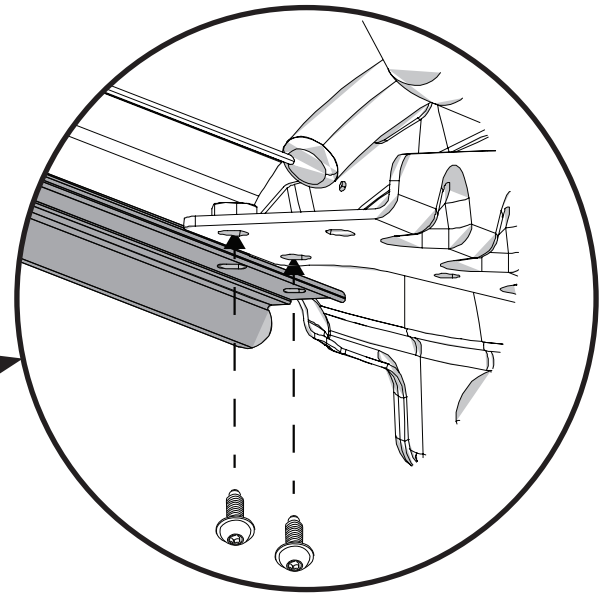
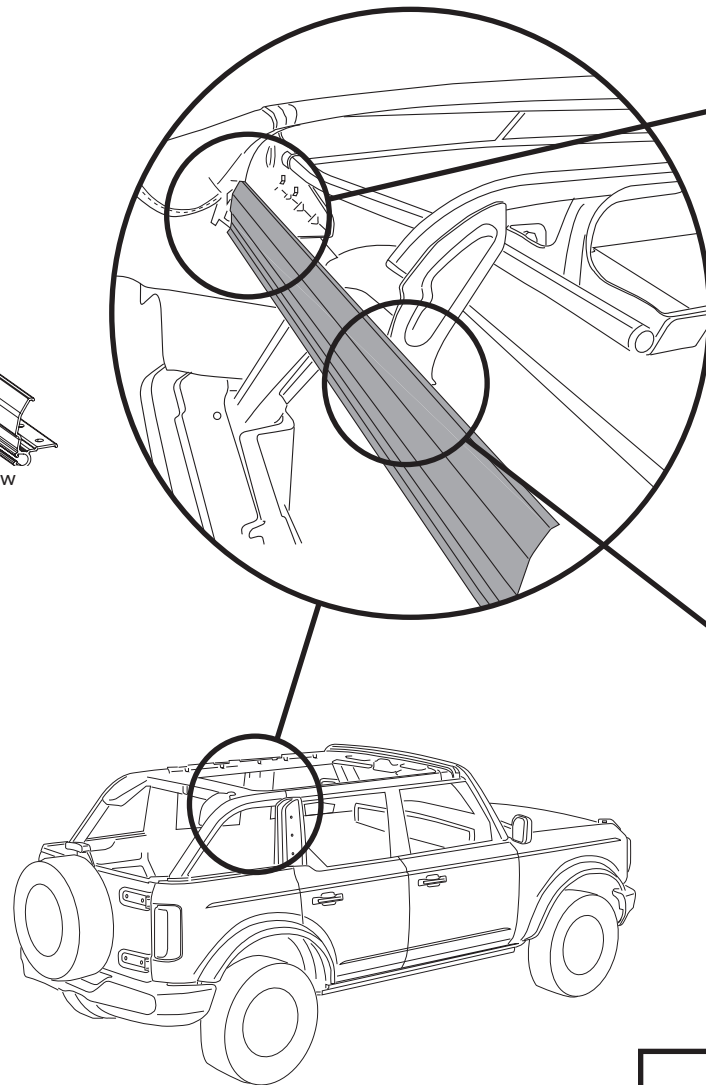
Retainer, Quarter Window
Right
Part #599.88
Qty. 1

Retainer, Quarter Window
Left
Part #599.89
Qty. 1

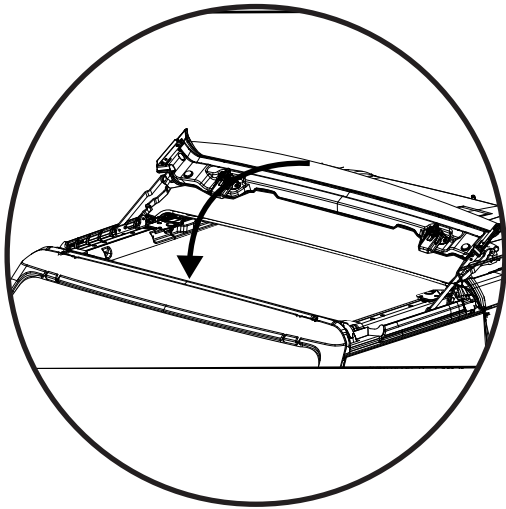


SCREW, M6 X 1.0 X 15mm
Part #533.61
Qty. 8
T-30 Torx

Attach the Quarter Window Retainer Part #599.88 (Right) and Part #599.89 (Left) to the Rear Halo using two (2) #533.61 Screws and to the #3 Bow using two (2) #533.61 Screws.
Repeat this Step on the left side of the vehicle.



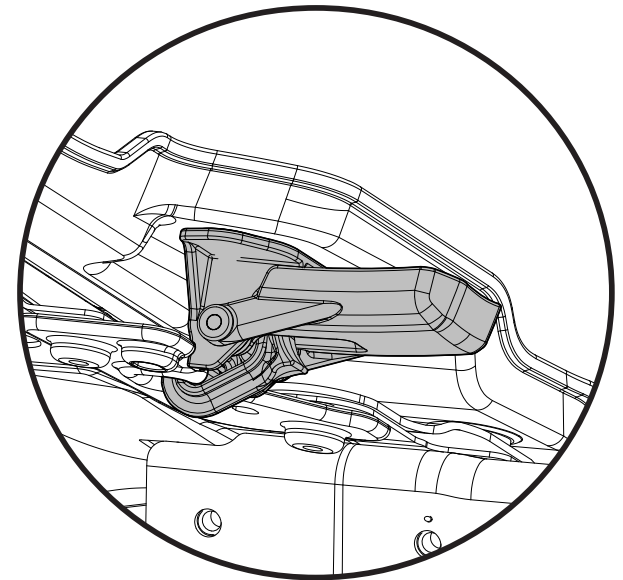
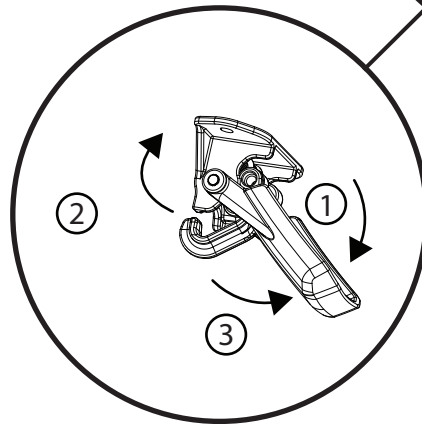
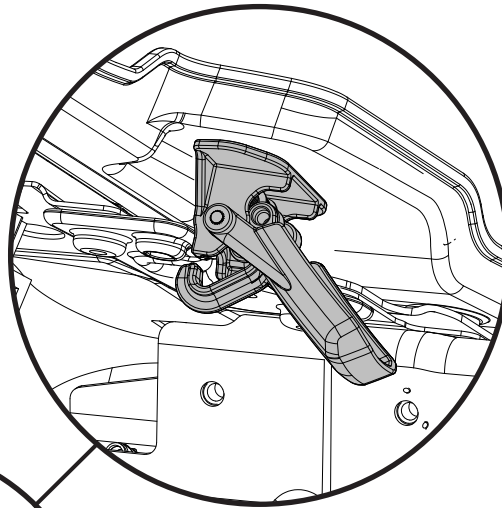
Congratulations
You have finished installing the hardware.



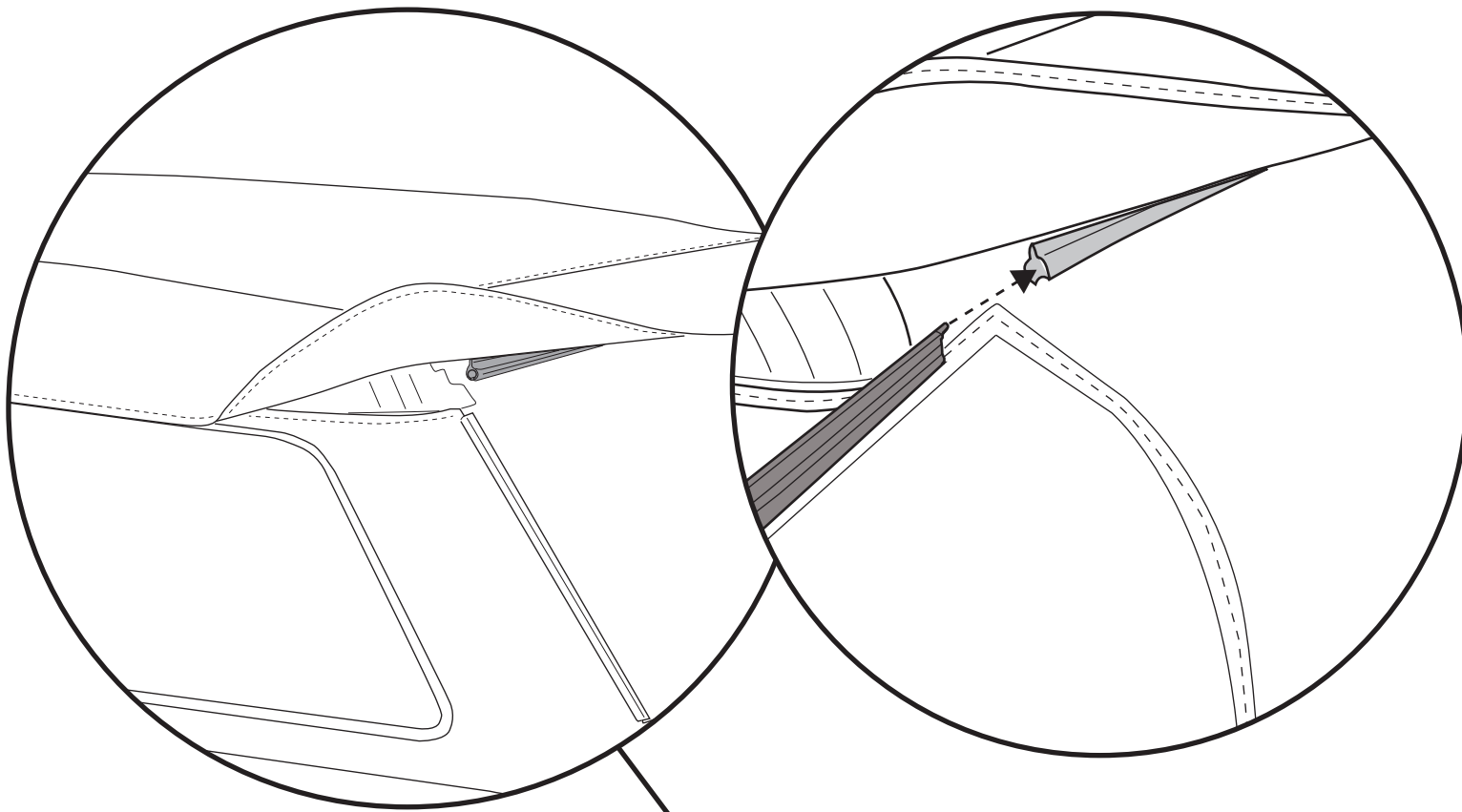
Fold the Sunrider forward.

Secure both latches to the vehicle's windshield header.

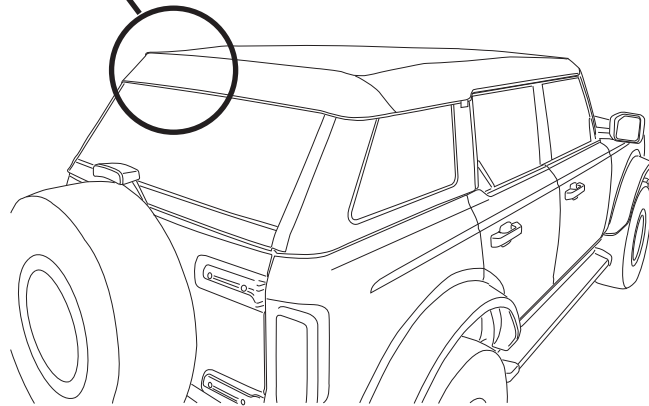
- ① Pivot the latch handle down;
- ② Engage the hook;
- ③ Pivot the latch handle back up.

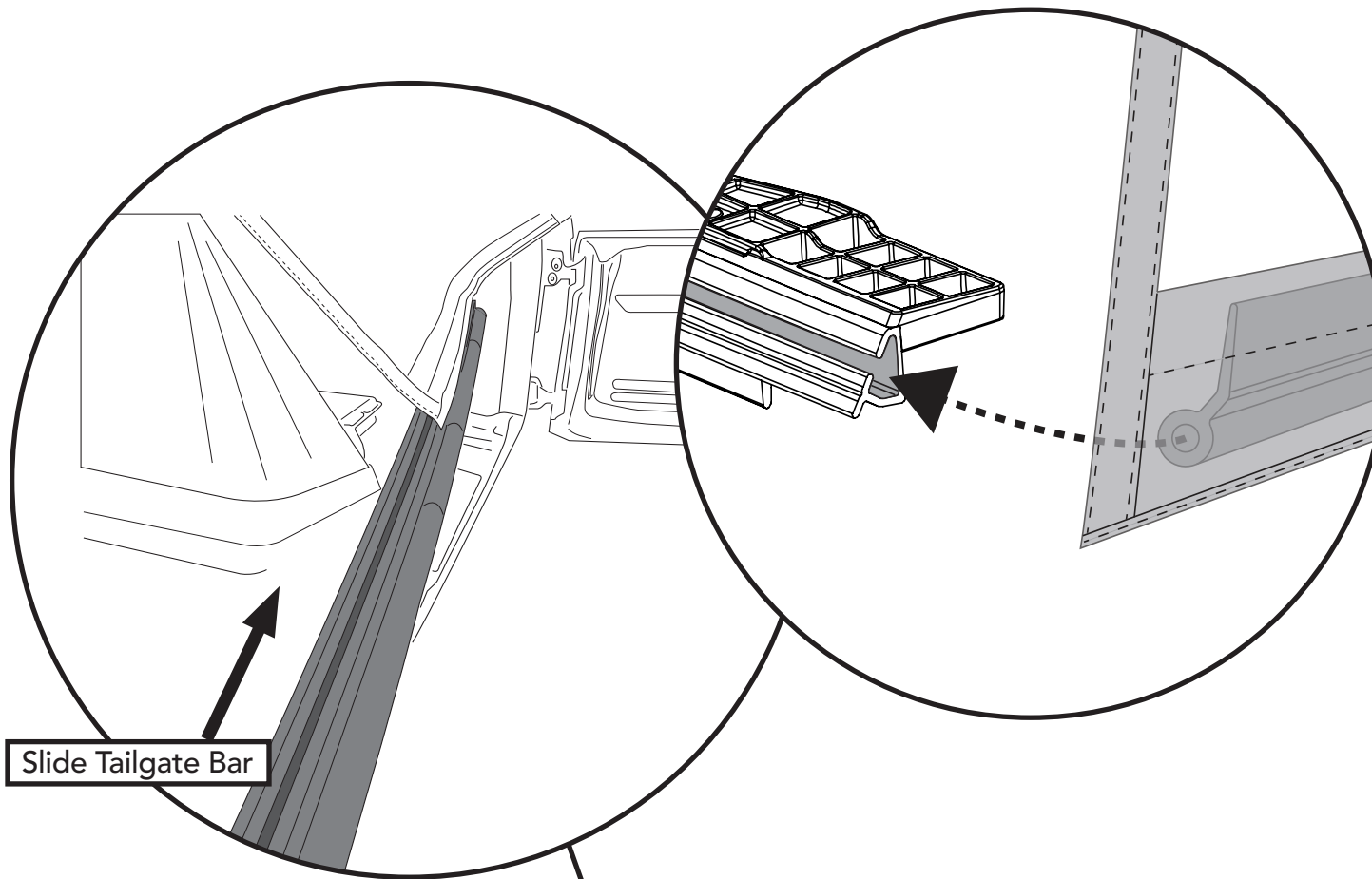


Latch in closed position

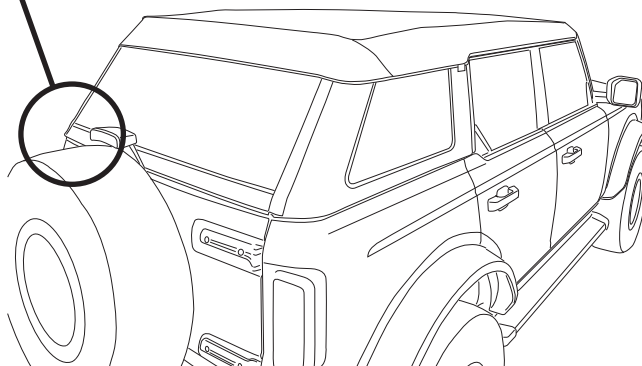


Fold the flap located on the driver side rear of the top back. Feed the plastic retainer strip on the top of the Rear Window into the plastic retainer strip on the rear of the top then slide the window all of the way across the top.





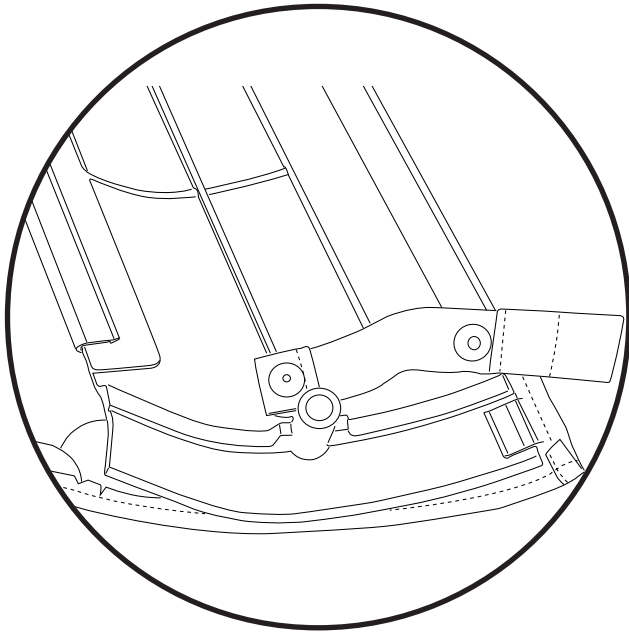
Open the tailgate. From the left side of the vehicle, pull the lower part of the rear window away from the side window. Locate the plastic retainer strip sewn to the bottom of the rear window then slide the channel of the tailgate bar into the plastic retainer strip.



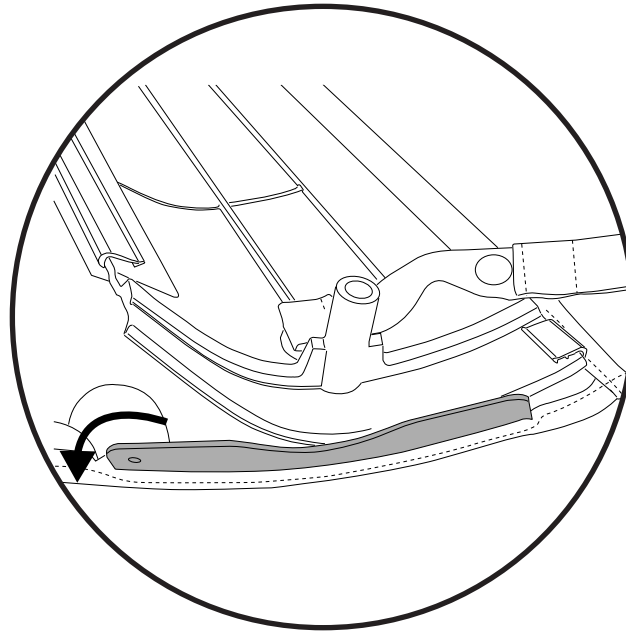
Parts



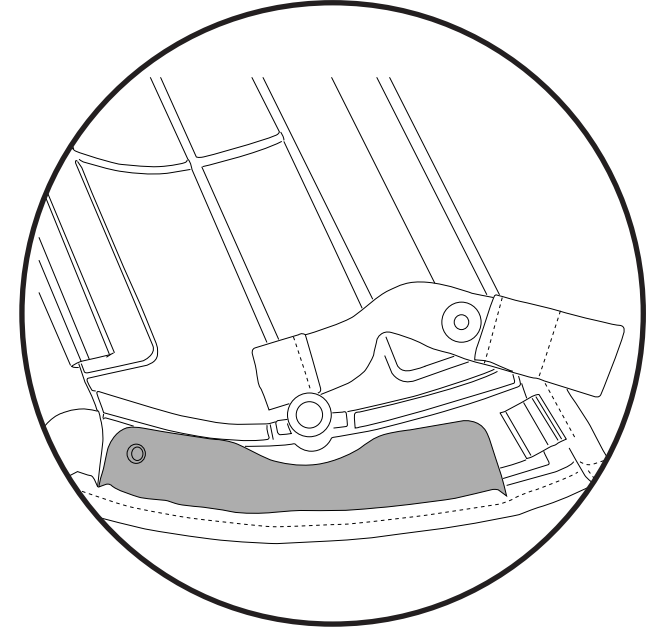
Taigate Retainer
Part #597.67
Qty. 1



Lay the Side Panel flat with the inside facing up.

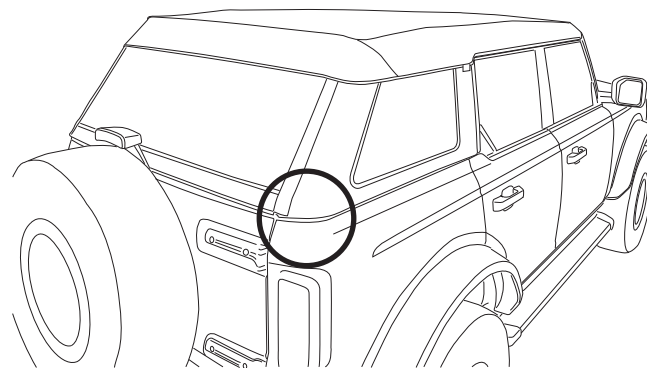


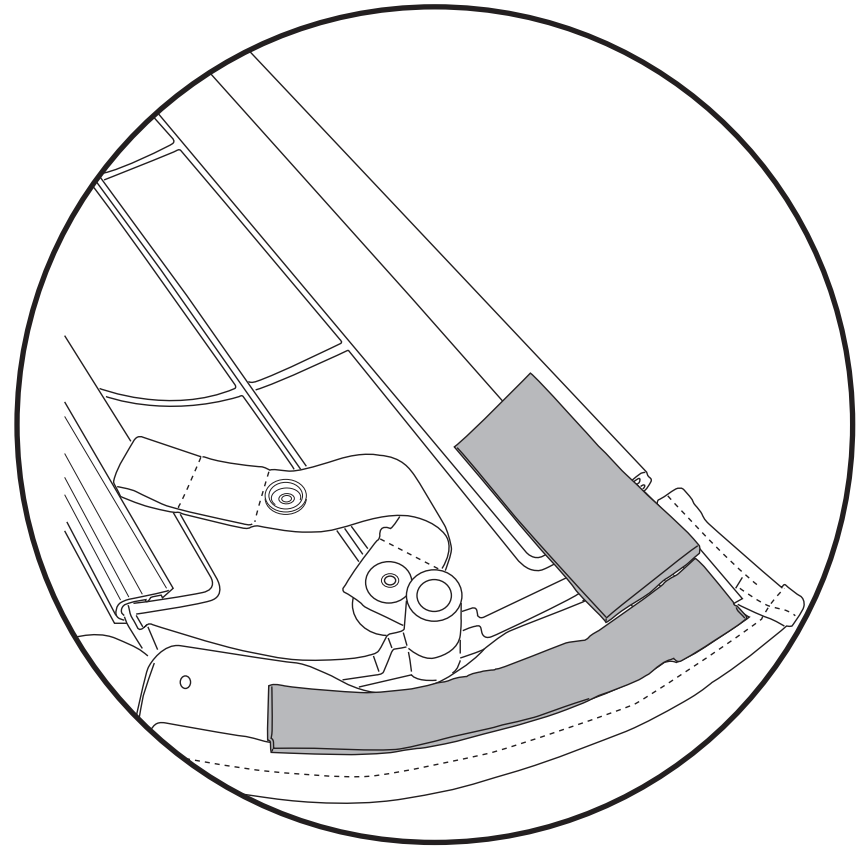
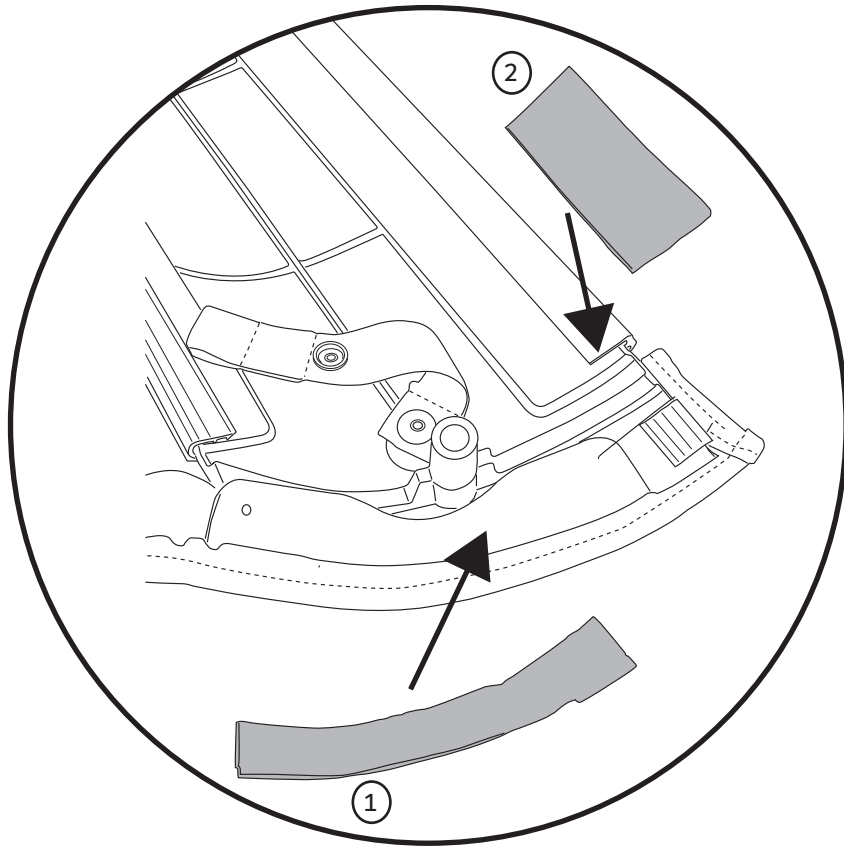
Pull out on the plastic retainer sewn in the bottom corner of the fabric.



Place the plastic retainer over the molded corner.

Repeat steps 1 and 2 on the left side panel.

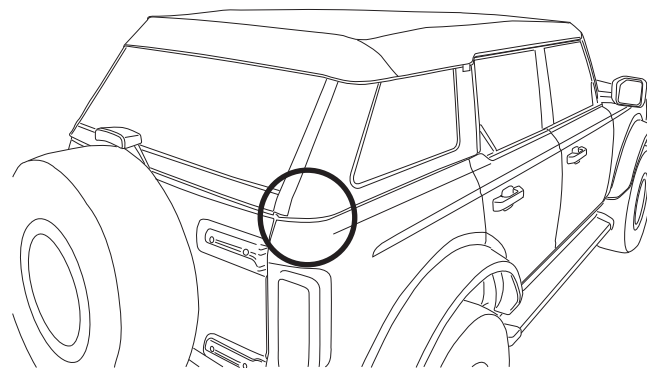




① Peel the protective paper from the back of the Quarter Window Retainer Foam Large (Part #615.68) then adhere it to the lower plastic retainer at the bottom corner of the right side panel.

② Peel the protective paper from the back of the Quarter Window Retainer Foam Small (Part #615.69) then adhere it vertically on the lower plastic retainer at the bottom corner of the right side panel.

Repeat this step on the Left Side Panel.



Parts

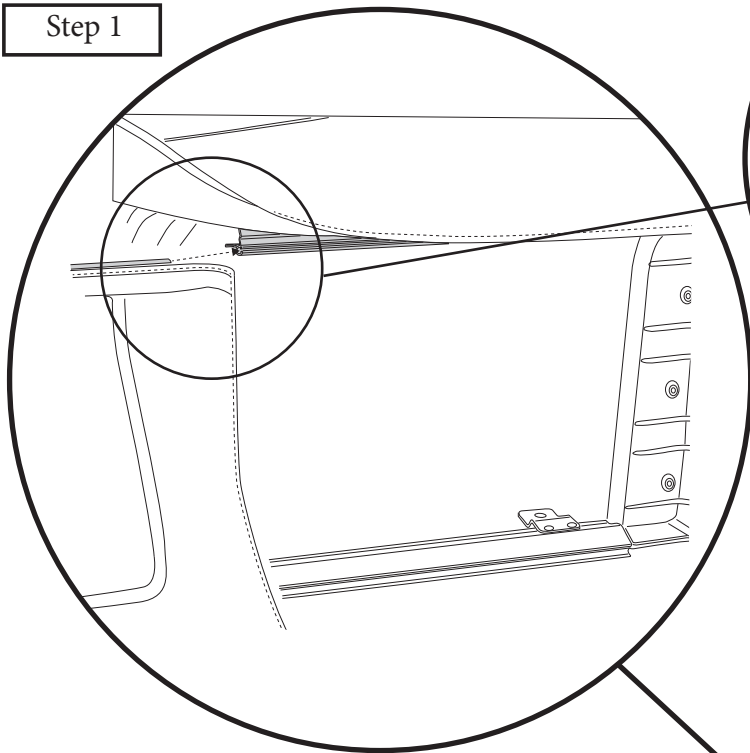


Quarter Window Retainer
Foam Large
Part #615.68
Qty. 2



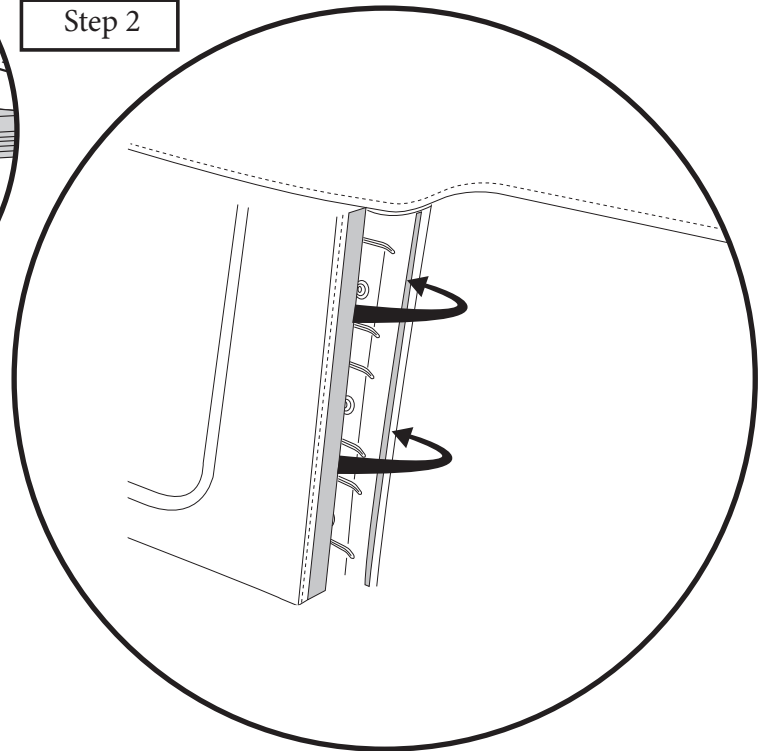
Quarter Window Retainer
Foam Small
Part #615.69
Qty. 2

Step 1

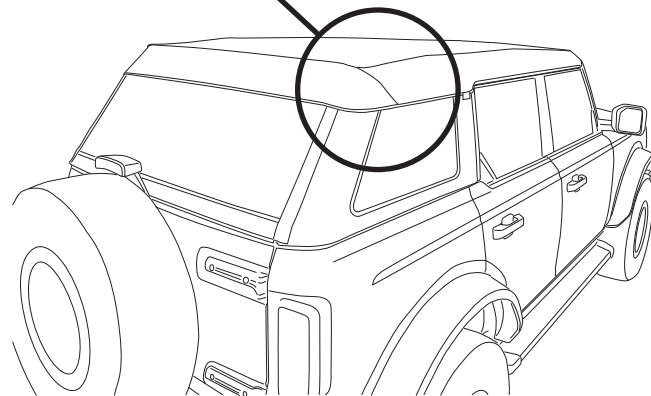


Fold the rear corner of the top then slide the plastic retainer strip on the quarter window into the "C" channel of the Upper Quarter Window Retainer.

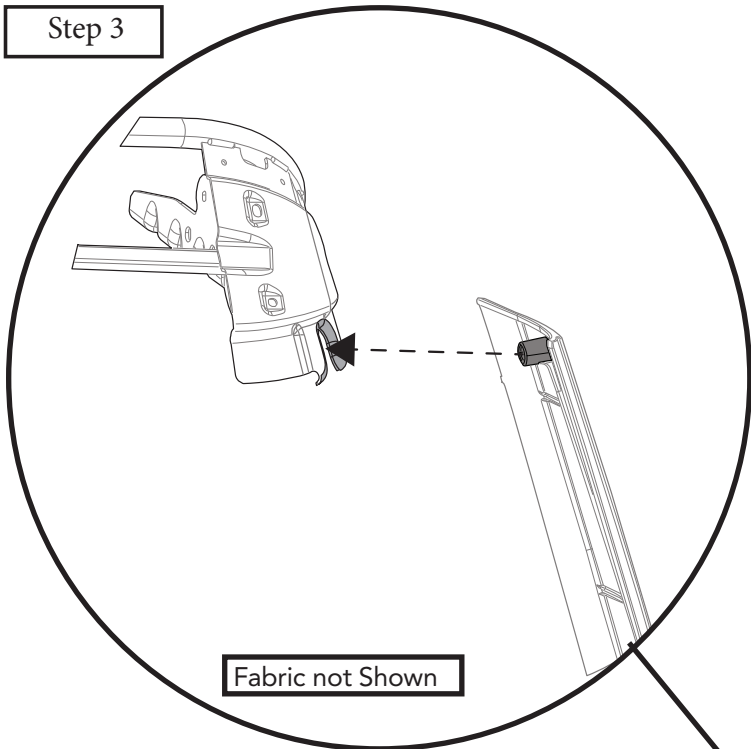
Step 2



Tuck the plastic retainer into the Vertical window Retainer.

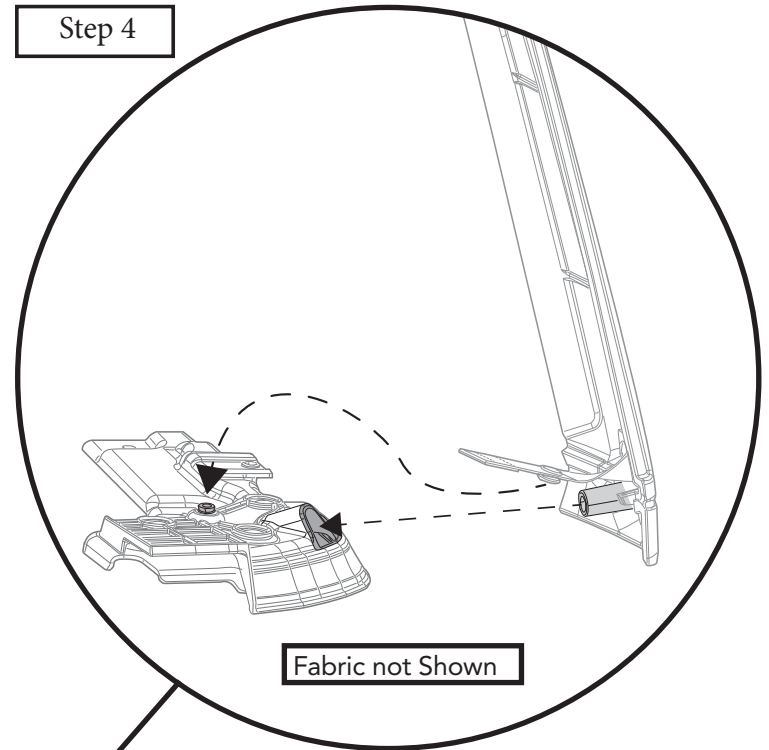


Step 3

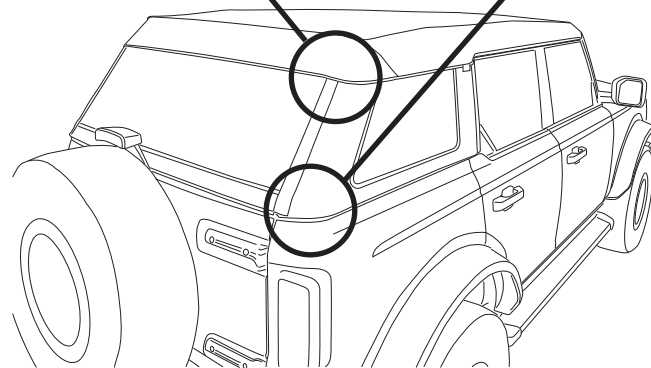


Place the button on the upper rear part of the Side Panel into the slot on the Rear Halo.

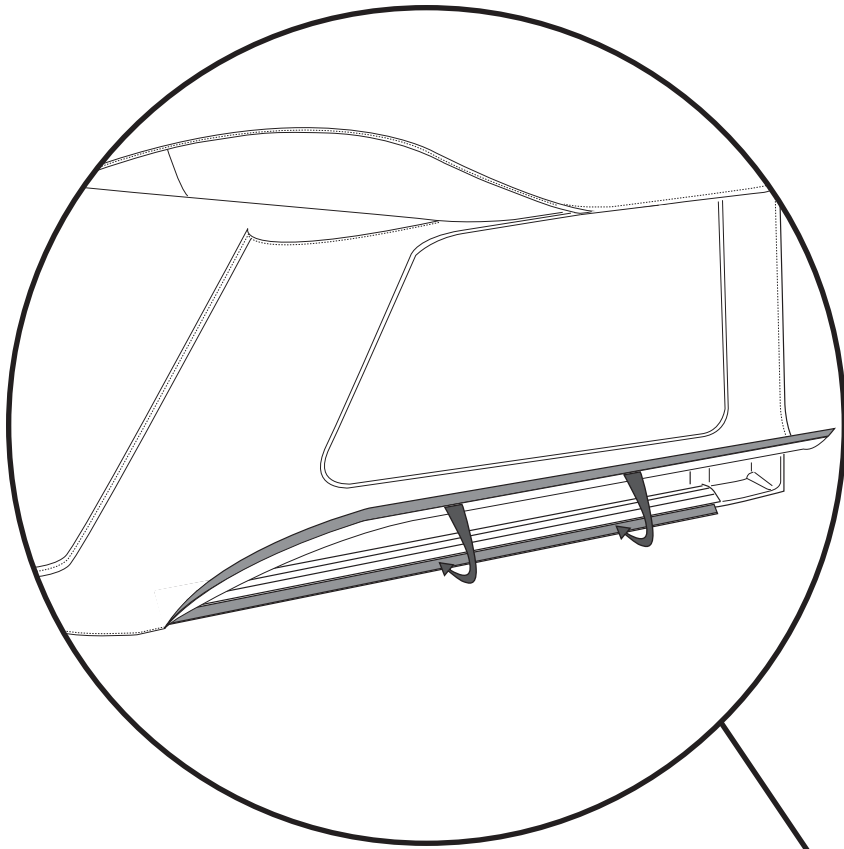
Step 4



Place the button on the lower rear part of the Side Panel into the slot on the Tailgate Retainer then attach the snap strap.

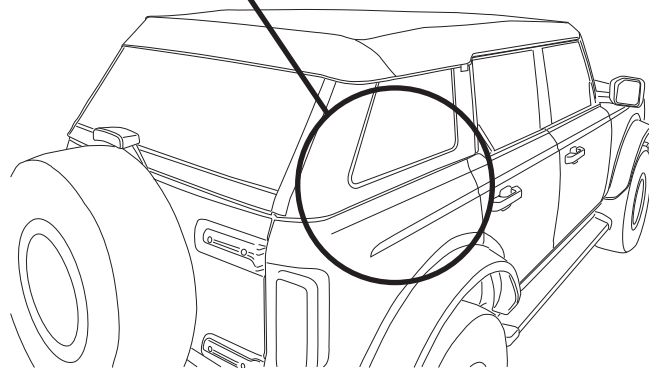


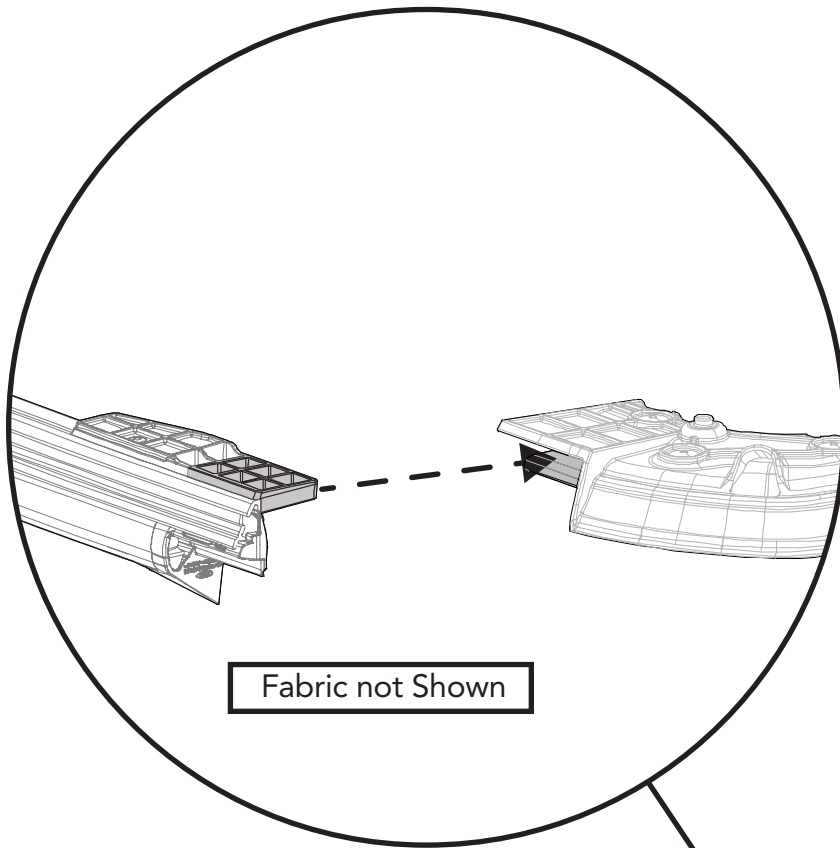
Step 5



Tuck the plastic retainer along the bottom of the Side Panel into the Belt Rail Retainer.

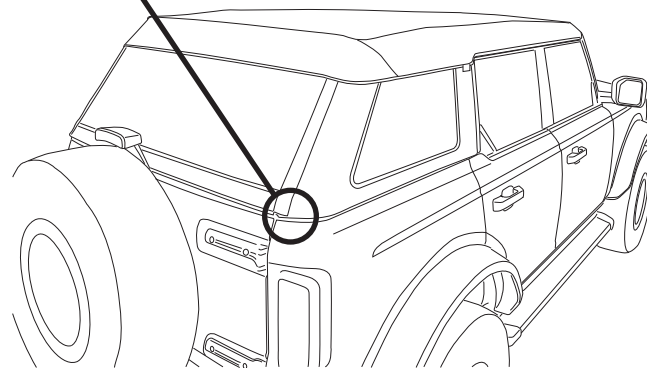
Repeat steps 1 through 5 on the left side of the vehicle.

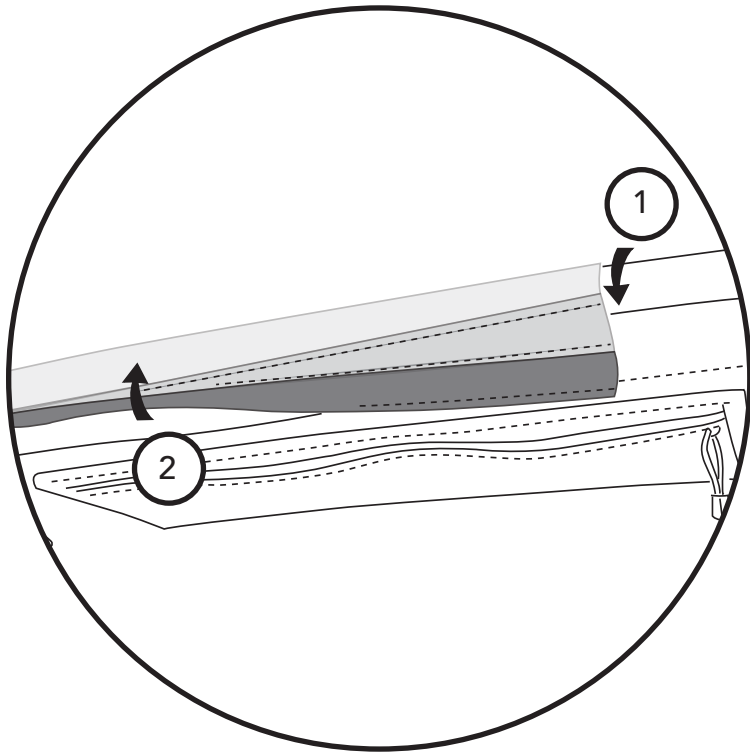




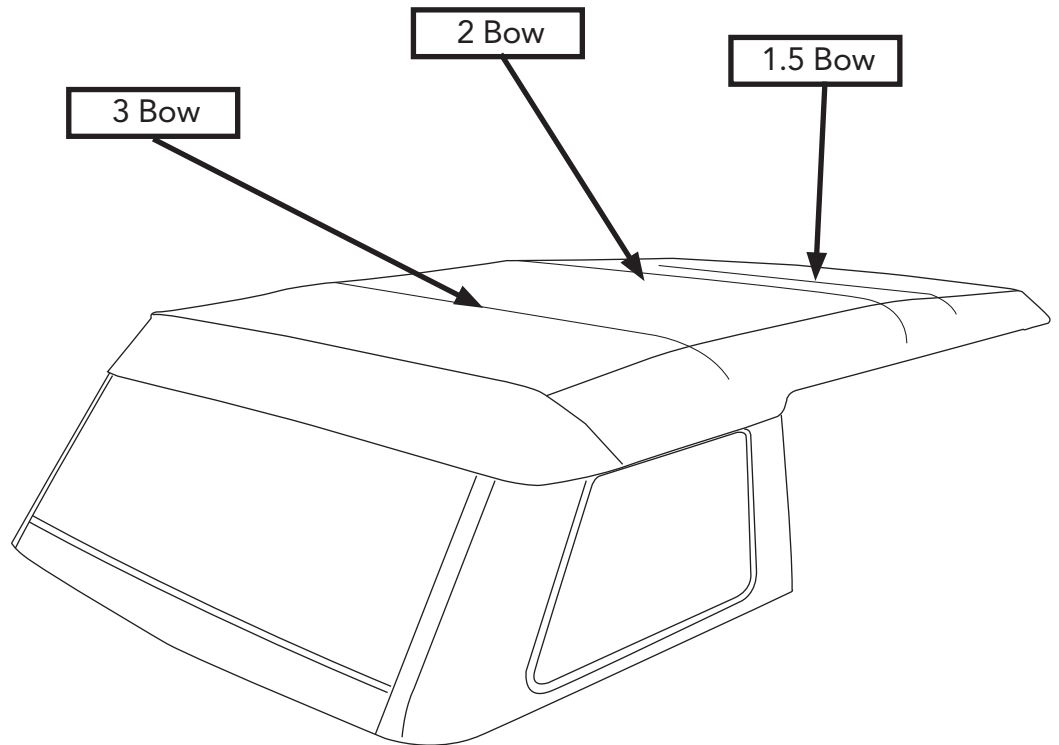
Fabric not Shown

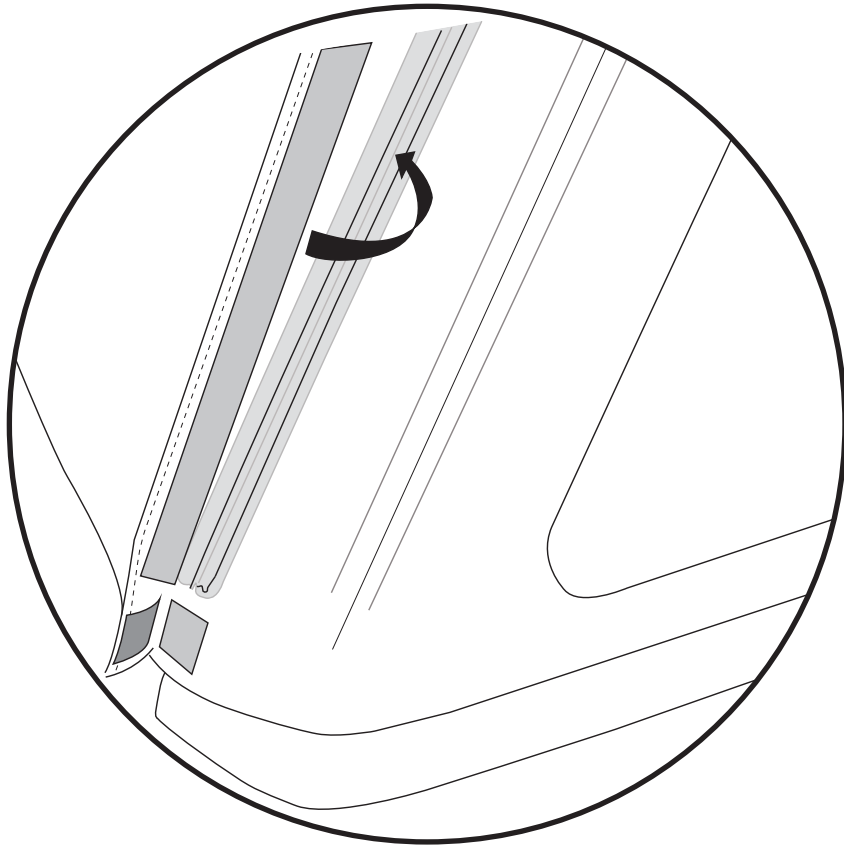
Slide the ends of the Tailgate Bar into the channels on the Tailgate Bar Retainers.





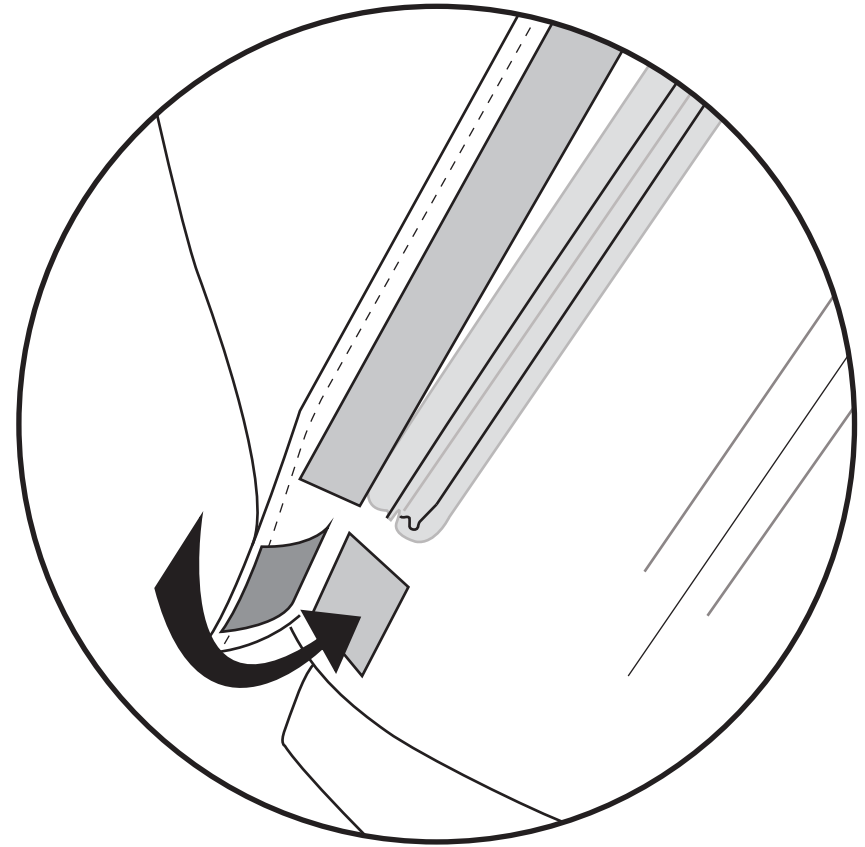
Wrap the flap around the 1.5 Bow as shown in the illustration.
Repeat this step on the #2 and #3 Bow.





Tuck the plastic retainer along the side of the Rear Window into the plastic retainer that runs along the side of the Side Panel.

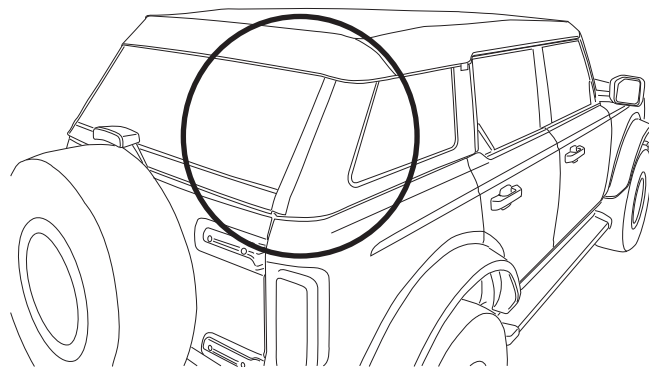
Repeat this step on the left side of the Rear Window.



Join the Hook and Loop together at the bottom corners of the Rear Window and the Side Panels then close the tailgate.

Tip

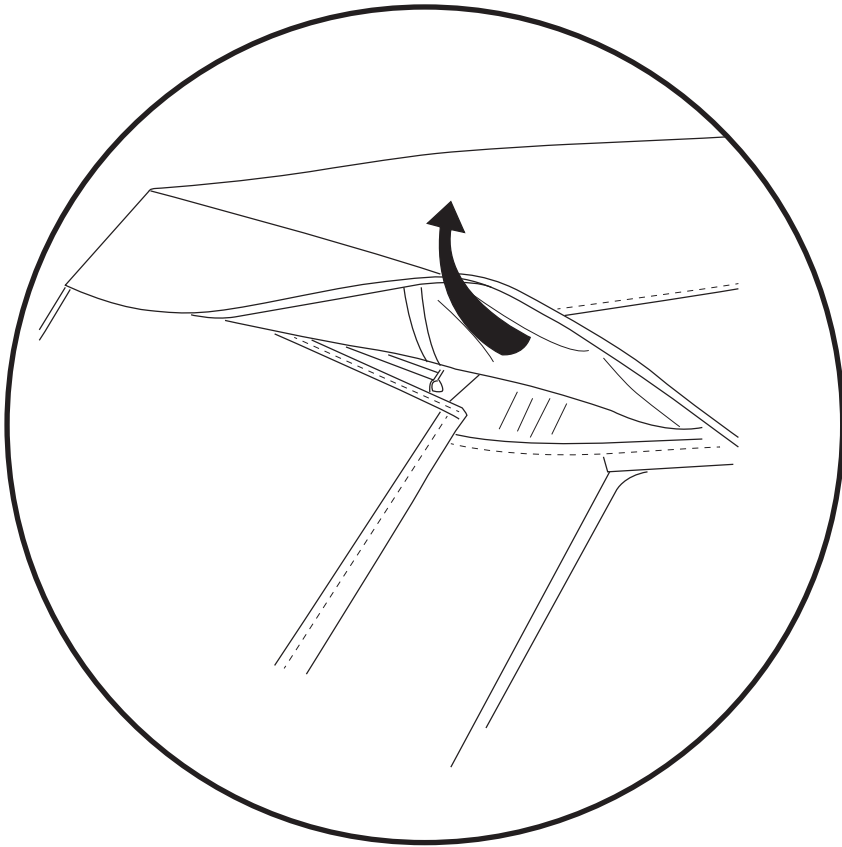
Remember to reinstall the antenna.



Congratulations

You have completed the installation of your Trektop. We hope you enjoy many years of service with your new top.

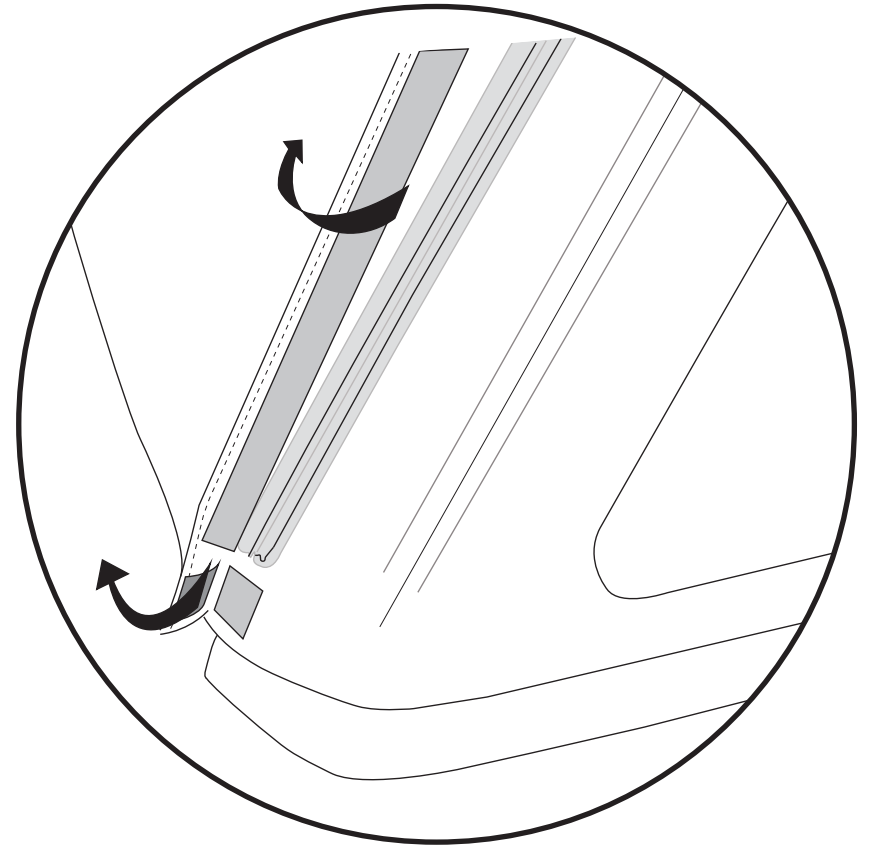
Step 1



Fold the flap located on the right side rear of the top back.

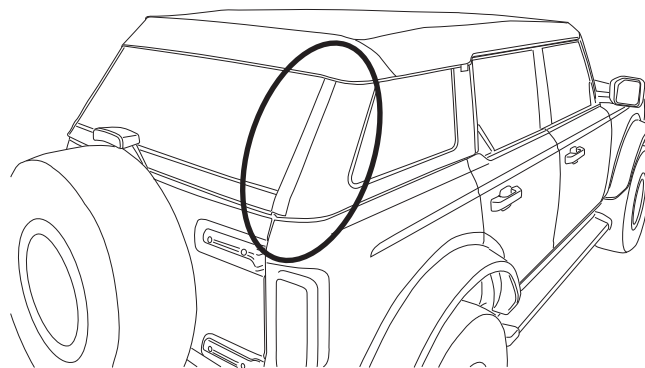
Repeat this step on the left side of the vehicle.

Step 2



Peel the Hook from the Loop at the bottom corners of the Rear Window then peel the Rear Window vertical retainer from the Passenger Side Panel vertical retainer.

Repeat this step on the left side of the vehicle.

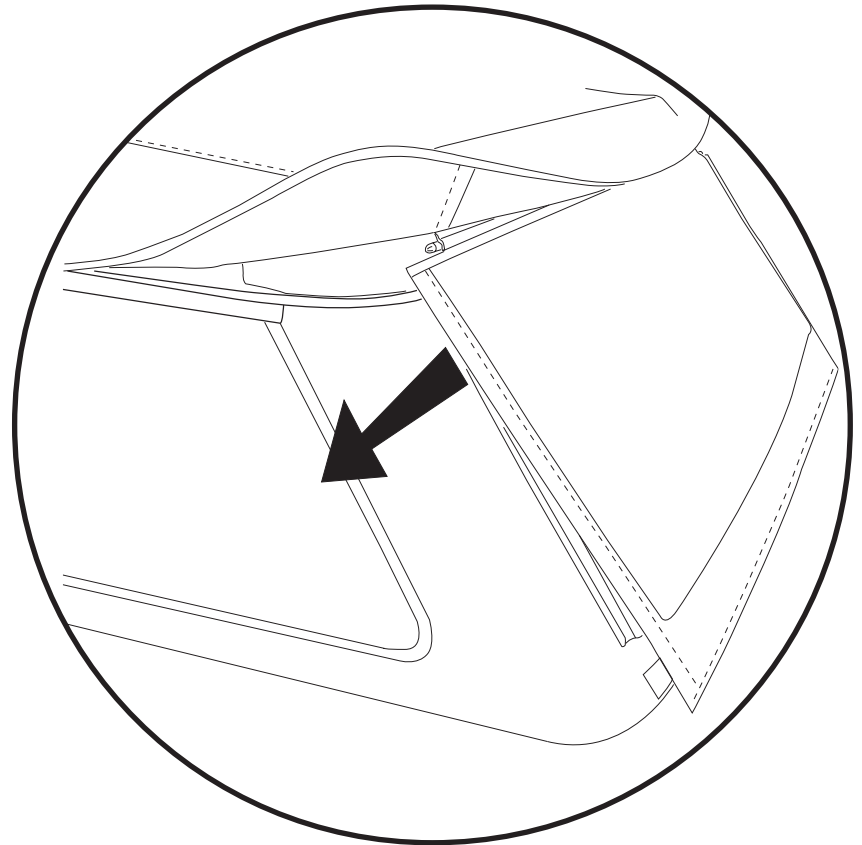


Step 1

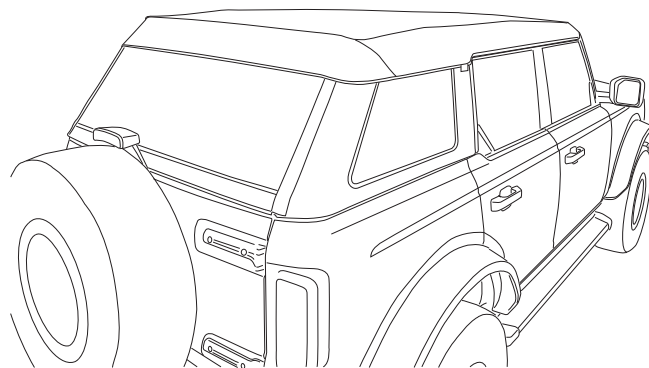


Open the Tailgate then pull back on the Tailgate Bar.

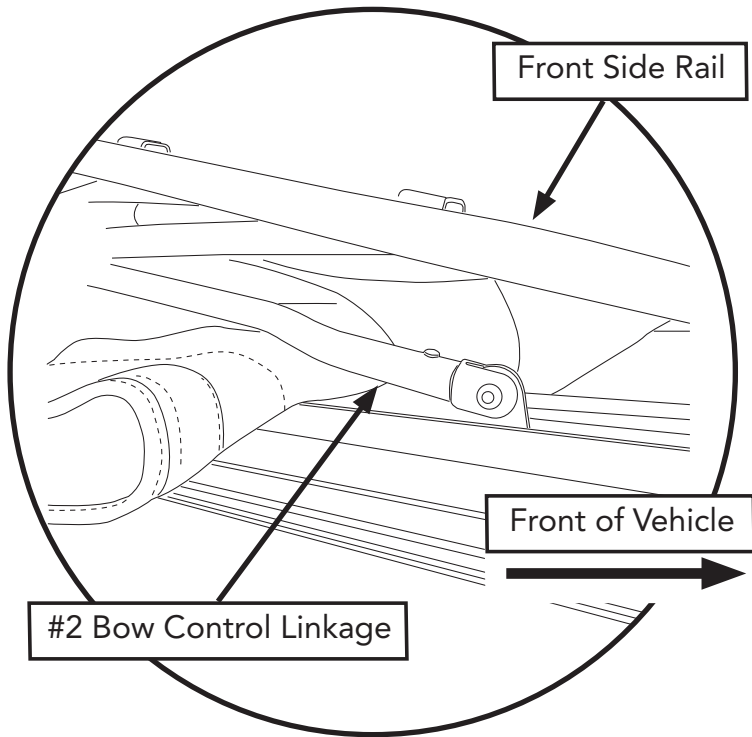
Step 2



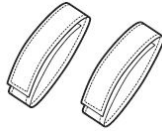
Slide the Rear Window toward the left side of the vehicle.



Step 1

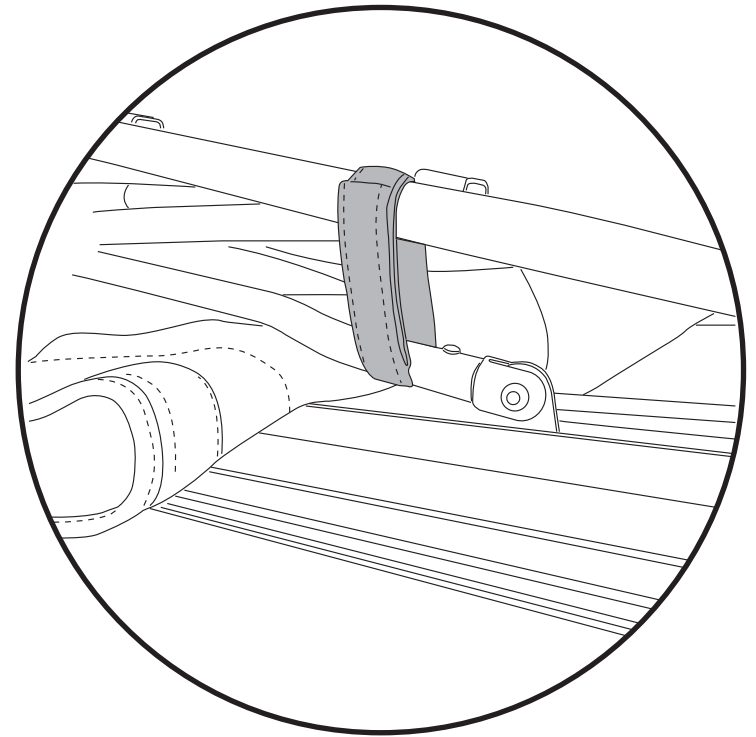


Parts



Tie Down Strap
Part #410.42
Qty. 2

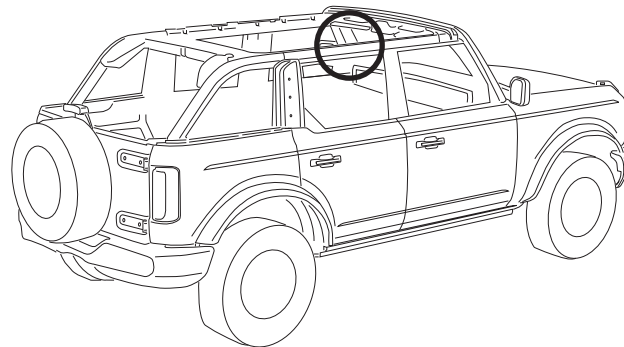
Step 2



Fold the top back.

Wrap the Tie Down Strap around the #2 Bow Control Linkage and the Front Side Rail.

Repeat on the left side of the vehicle.





Warranty Information Sunrider for Hardtop

Vehicle Application:
Ford Bronco 4 Door 2021
Part Number 56873

WHAT BESTOP WARRANTS

Subject to the terms and conditions of sale, including any terms and conditions set forth by Bestop, Inc. ("Bestop" or "us" or "we") in our then-current terms of sale on our website (collectively, the "Terms"), Bestop represents and warrants that: the covered products listed in the "Covered Products and Warranty Periods" section (a "Product") will substantially be free from defects in materials and workmanship for the specified warranty periods set forth in that section.

THE WARRANTY IS LIMITED AND CONDITIONAL

This warranty applies to the original purchaser of the Product only. The warranty is valid only as long as the original retail purchaser owns the vehicle upon which the Product is installed. The warranty expires should the Product be removed from the original vehicle or if the original vehicle is transferred to another owner.

This warranty is not transferable or assignable. The warranty does not apply to Product bought from auction-style or price-bid websites.

THE LIMITED WARRANTY AND STATED REMEDIES ARE SOLE AND EXCLUSIVE AND IN LIEU OF ALL OTHER WARRANTIES AND REMEDIES, AND COMPANY EXPRESSLY DISCLAIMS ALL IMPLIED OR STATUTORY OR OTHER WARRANTIES, INCLUDING WITHOUT LIMITATIONS WARRANTIES OF MERCHANTABILITY, NON-INFRINGEMENT OR FITNESS FOR A PARTICULAR PURPOSE. IN NO EVENT WILL COMPANY BE LIABLE FOR ANY SPECIAL, INCIDENTAL, CONSEQUENTIAL, PUNITIVE, INDIRECT OR EXEMPLARY DAMAGES OF ANY KIND, INCLUDING LOST PROFITS OR REVENUE, HOWEVER CAUSED, WHETHER FOR BREACH OR REPUDIATION OF CONTRACT, TORT, BREACH OF WARRANTY, NEGLIGENCE, OR OTHERWISE, WHETHER OR NOT COMPANY WAS ADVISED OF THE POSSIBILITY OF SUCH LOSS OR DAMAGES.

Some states do not allow exclusion or limitation, so this may not apply to you. This warranty gives you specific legal rights, and you may have other rights which vary from state to state.

EXCLUSIONS TO THE WARRANTY

The Limited Warranty excludes, and Bestop is not liable in any way for any warranty claims, damages, or defects related to:

- Misuse, abuse, accidents, vandalism, negligence, fire, or improper installation or modification, or improper or inadequate maintenance;
- Failure to comply with any Product documentation, Bestop instructions, or applicable law or regulations; use in extreme conditions
- Force Majeure including but not limited to, earthquake, hurricane, tornado, flooding, or other disasters natural or man-made, civil unrest, strikes, declared or undeclared war, or lack of performance by, or discontinued product of, supply chain partners whose products, software, operations or management is beyond the control of Bestop;
- Damage resulting in breakage (including without limitation, spontaneous breakage, accidental breakage or breakage by any other means) of a Product or any component part;
- Damage to vinyl windows due to misuse, or cracking due to varying weather conditions.

YOUR SOLE REMEDY

During the applicable warranty period, Bestop shall, at its option, either repair or replace any Product that it confirms, in its discretion, is non-compliant with the warranties herein. Bestop will not pay for labor charges associated with installation or removal of the Product. Should a specific Product be discontinued, Bestop may, at its option, replace the discontinued Product with a current product or like product.

Please retain your proof of purchase. Original proof of purchase for the Product must accompany any warranty claim. If you have a warranty claim, first you must email Bestop Customer Service at csbestop@bestop.com for instructions. All claims must be emailed to csbestop@bestop.com within 30 days of discovery of a defective Product, but in no event later than thirty days after the end of the applicable Warranty Period (the "Warranty Notice Period"). Warranty claims made after the Warranty Notice Period are null and void and Bestop shall have no responsibility with respect to such claims.

THIS SECTION SETS FORTH BESTOP'S SOLE OBLIGATION & YOUR SOLE REMEDY WITH RESPECT TO ANY DEFECTS OR OTHER PRODUCT ISSUE. ANY PRODUCTS REPLACED UNDER TERMS OF THIS WARRANTY WILL BE COVERED UNDER TERMS & BALANCE OF THE DURATION OF THE ORIGINAL LIMITED WARRANTY FOR SUCH PRODUCT.



Warranty Information
Sunrider for Hardtop

Vehicle Application:
Ford Bronco 4 Door 2021
Part Number 56873

COVERED PRODUCTS AND WARRANTY PERIODS: The warranty time periods are as follows for Products manufactured by Bestop:

BESTOP® LIMITED LIFETIME WARRANTY

Trektop® Pro Twill Fabric Top Sunrider® for Hardtop Twill Fabric Top
Trektop® NX Glide Twill Fabric Top Replace-a-Top™ Twill Fabric Top
Trektop® NX Twill Fabric Top Supertop® NX Twill Fabric Top
EZFold™ Soft Tonneaus Floor & Cargo Liners
ZipRail™ Soft Tonneaus Pet Barriers
EZRoll™ Soft Tonneaus

BESTOP® 5-YEAR LIMITED WARRANTY

Trektop® NX Glide™ Top (non-Twill) Sunrider® for Hardtop (non-Twill) Replace-a-Top™ Top (non-Twill) Trektop® NX Top (non-Twill)
Sailcloth Replace-a-Top™ Supertop® NX Top (non-Twill)
Tigertop™ and Halftop™ Supertop® Classic Soft Top Sunrider® Complete Soft Top Supertop® for Truck
EZ Fold Hard Tonneau

BESTOP® 3-YEAR/100K MILES LIMITED WARRANTY

Powerboard® & Powerboard® NX
Trekstep®, Side Mount
Trekstep®, Rear Mount

BESTOP® 3-YEAR LIMITED WARRANTY

Pavement Ends Sprint Top

BESTOP® 2-YEAR LIMITED WARRANTY

Trektop® Classic Soft Top
RoughRider™ Soft Storage

BESTOP® 1-YEAR LIMITED WARRANTY

All other Bestop® & Pavement Ends™ products not specified above.

For further information or request for warranty work, please contact:

Bestop Inc. Customer Service
Toll-Free: (800)845-3567
E-mail: csbestop@Bestop.com
Website: www.Bestop.com