



Installation Instructions TrekStep Side-Mount™

Vehicle Application

- Chevrolet Silverado / GMC Sierra
All Bed Sizes
1999 – Current
Part Number: 75400-15

www.bestop.com - We're here to help! Visit our web site and click on "Ask a Question". Click here for more [Truck Accessories by Bestop](#).

INSTALLATION TIME  1/2 Hour	SKILL LEVEL  1 - Easy			
TOOLS				
 Ratchet	 Extension	 Socket 18 mm, 13 mm, 3/16"	 Allen Wrench 8 mm, 3/16"	 Wrench 13 mm
 Power Drill 1/8" Bit	 Safety Glasses			



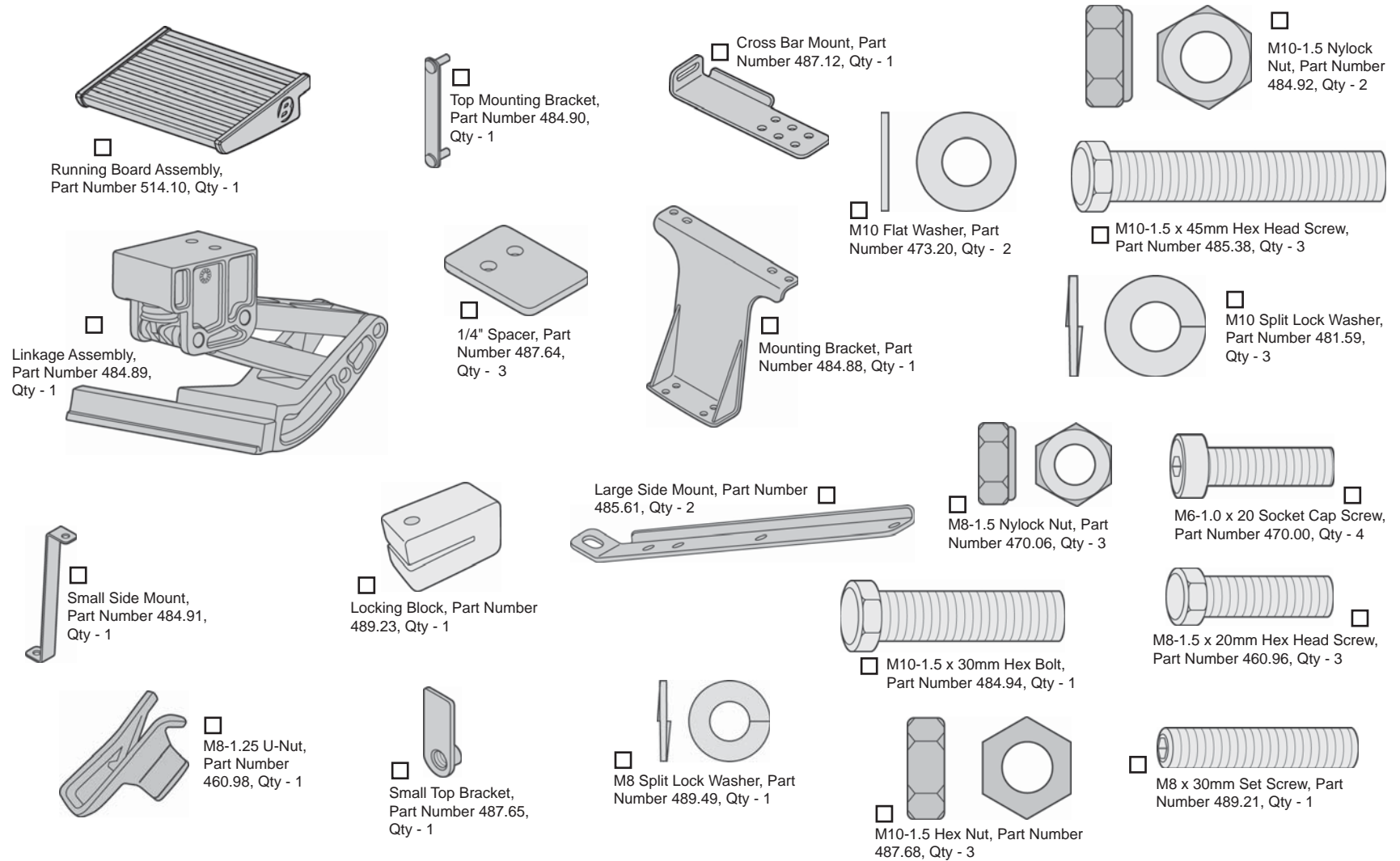
⚠ WARNING Do not rely in any way on the components of this product to protect against injury or death in the event of an accident. Never operate the vehicle in excess of manufacturer's specifications.

WEAR SEAT BELTS AT ALL TIMES

Read and follow, precisely, all installation instructions provided when installing product. Failure to do so may result in a poor fit and could place occupants of the vehicle in a potentially dangerous situation.

TrekStep Side-Mount™ – Installation Instructions

Parts List and Hardware Identification

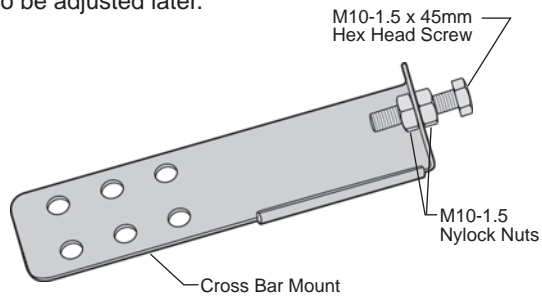


TrekStep Side-Mount™ – Installation Instructions

Chevrolet / GMC Crew Cab 5.8' Bed Only

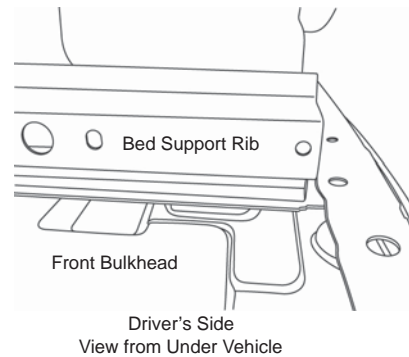
1 Assemble Cross Bar Mount

Thread an M10-1.5 Nylock Nut onto an M10-1.5 x 45mm Hex Head Screw. Then thread the screw through the slot on the Cross Bar Mount and install another M10-1.5 Nylock Nut. Leave the Nuts loose to be adjusted later.



2 Locate Bed Support Rib

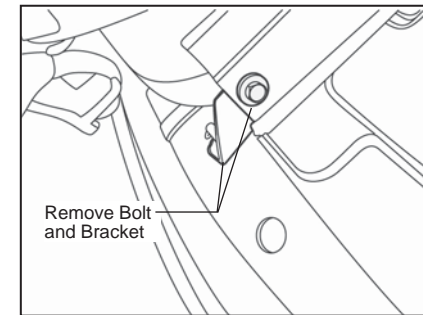
Locate the bed support rib closest to the front bulkhead.



2014 Models w/ Fender Support Screw 5.8' Bed Only

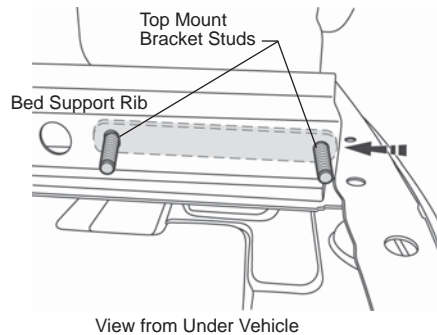
3 Remove Fender Support Bracket

Remove the fender support bracket.



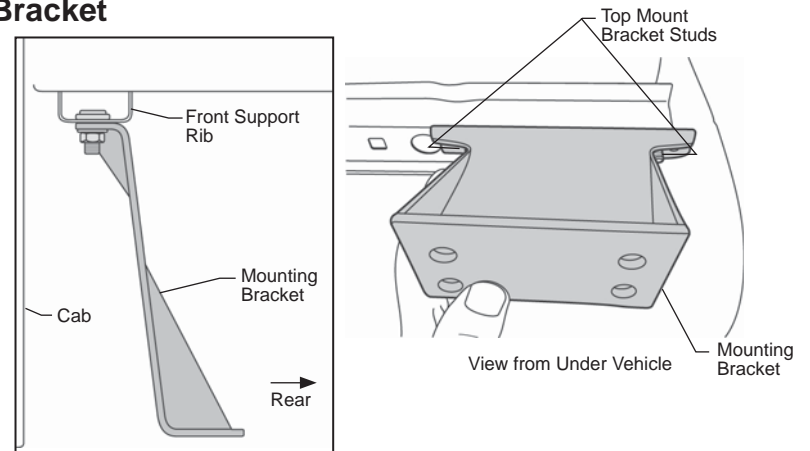
4 Install Top Mount Bracket

Slide the Top Mount Bracket into the rib and drop the studs through the two (2) holes.



5 Install Mounting Bracket

Orient the Mounting Bracket with the longer foot toward the rear of the vehicle. Make sure that the Mounting Bracket is level with the support rib. Slide the holes in the top of the Mounting Bracket over the Top Mount Bracket studs. Secure to the studs with M10-1.5 Nylock Nuts and M10 Washers.

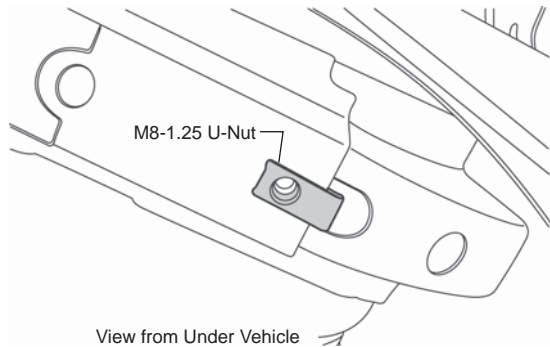


TrekStep Side-Mount™ – Installation Instructions

Chevrolet / GMC Crew Cab 5.8' Bed Only

6 Install U-Nut

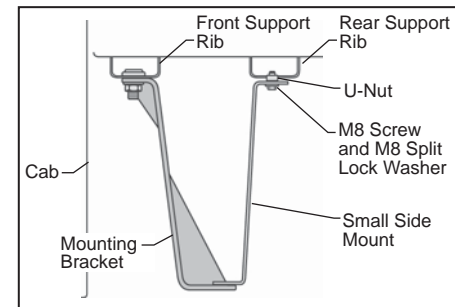
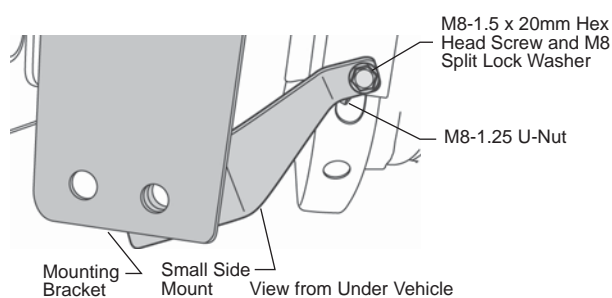
Install an M8-1.25 U-Nut on the second support rib from the cab toward the rear of the vehicle.



7 Install Small Side Mount

Place the Small Side Mount between the Mounting Bracket and the M8-1.25 U-Nut. Secure it to the U-Nut with an M8-1.5 x 20mm Hex Head Screw and an M8 Split Lock Washer.

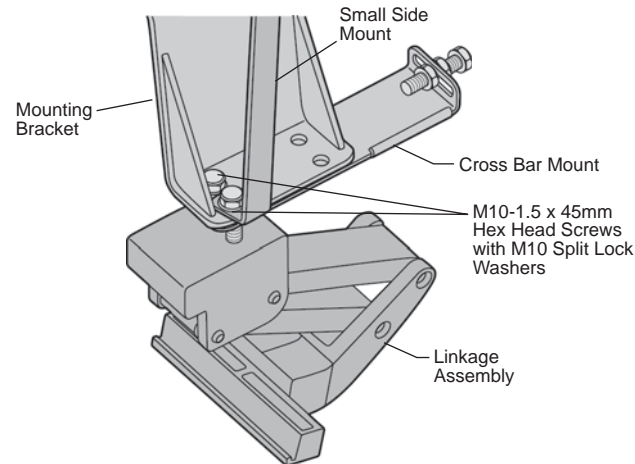
NOTE Make sure to run the Small Side Mount to the holes toward the outside of the Mounting Bracket.



8 Install Cross Bar and Linkage

Place the Cross Bar Mount under the Mounting Bracket. Thread one M10-1.5 x 45mm Hex Head Screw with an M10 Split Lock Washer through both brackets into the Linkage. Thread the other M10-1.5 x 45mm Hex Head Screw with M10 Split Lock Washer through the Cross Bar Mount and both brackets into the Linkage.

Skip to Step 10 to install the Step.



NOTE Make sure to mount the Linkage Assembly to the holes toward the outside of the Mounting Bracket.

NOTE Cross Bar Mount has 6 holes for adjustment. If mount hits any part of the frame, install using the next set of holes.

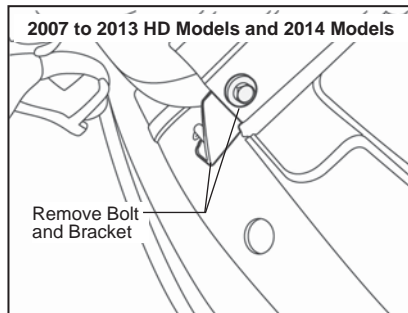
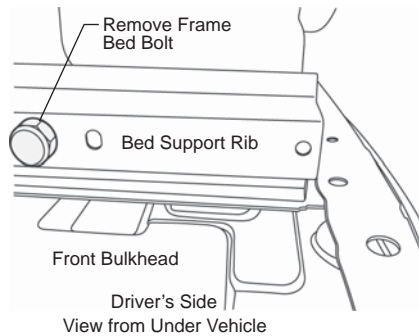
TrekStep Side-Mount™ – Installation Instructions

Chevrolet / GMC Regular and Extended Cab 6.5' and 8' Beds

1 Locate Bed Support Rib

Locate the bed support rib closest to the cab. Remove the frame bed bolt.

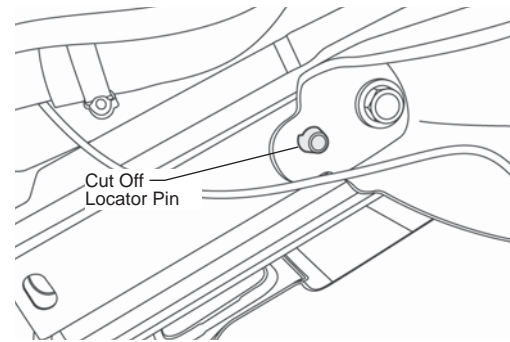
2007 – 2013 HD Models and all 2014 Models:
Also remove the fender support screw.



Newer Models

2 Remove Locator Pin

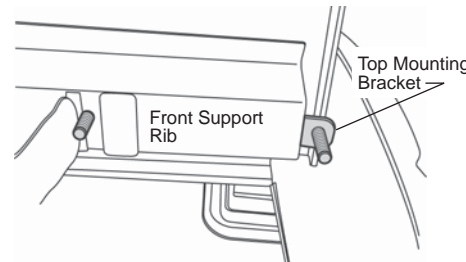
The locator pin is found only on the driver's side of newer model vehicles. Use a knife to cut off the pin.



1999 – 2007 Classic Models

3 Install Top Mounting Bracket

Insert the Top Mounting Bracket into the rib closest to the cab. On this vehicle there is one hole in the rib for a bracket stud. The other stud will hang free.



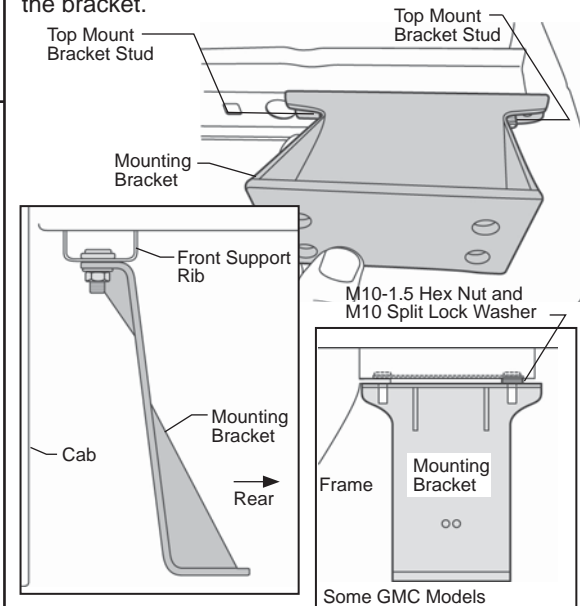
1999 – 2007 Classic Models

4 Install Top Mounting Bracket

Orient the Mounting Bracket with the longer foot toward the rear of the vehicle. Make sure that the Mounting Bracket is level with the support rib. If not use a spacer as needed

Slide the two (2) holes in the top of the Mounting Bracket over the Top Mount Bracket studs. Secure to the studs with M10-1.5 Nylock Nuts and M10 Washers.

NOTE Some GMC models will need to add an M10-1.5 Hex Nut and M10 Split Lock Washer to the Top Mounting Bracket before installing the bracket.



TrekStep Side-Mount™ – Installation Instructions

Chevrolet / GMC Regular and Extended Cab 6.5' and 8' Beds

2007 – Current and HD Models

4 Install Mounting Bracket

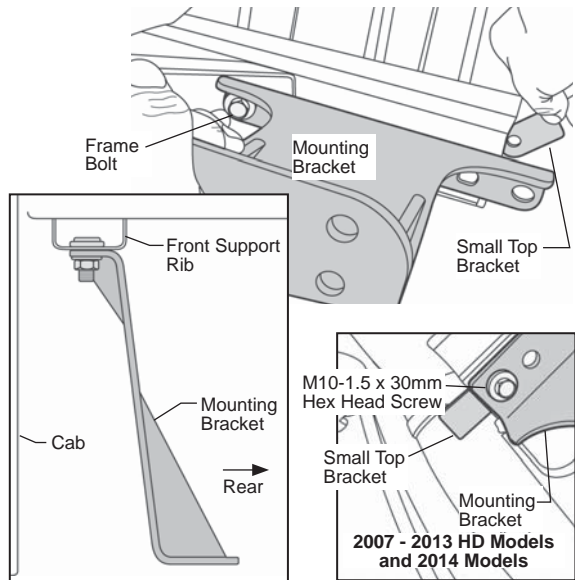
Orient the Mounting Bracket with the longer foot toward the rear of the vehicle.

Use the frame bed bolt removed in Step 1 to secure the inside hole of the Mounting Bracket to the bed support rib.

Locate the Small Top Bracket in the parts kit. Place it in the rib with the head facing up.

Use an M10-1.5 x 30mm Hex Head Screw and M10 Split Lock Washer to secure the outer end of the Mounting Bracket to the rib and Small Top Bracket.

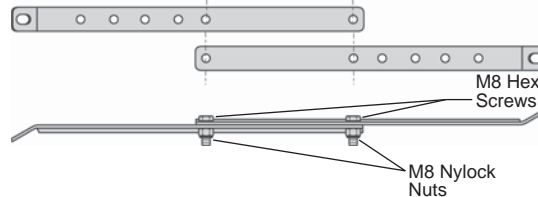
2007 – 2013 HD Models and all 2014 Models: Use the fender screw removed in Step 1.



All 6.5' and 8' Beds

5 Assemble Adjustable Side Brackets

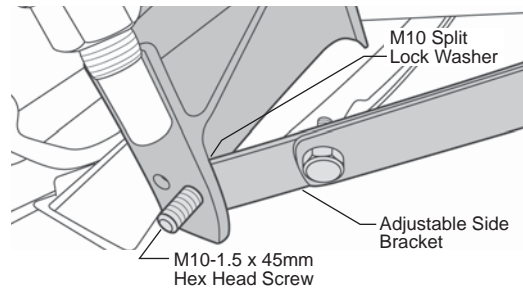
Line up the holes of the two (2) Adjustable Side Brackets as shown. Secure them with two (2) M8-1.25 x 20mm Hex Head Screws and M8-1.25 Nylock Nuts. Leave the nuts loose to adjust as necessary to fit your vehicle.



All 6.5' and 8' Beds

6 Secure Side Bracket to Mounting Bracket

Thread an M10-1.5 x 45mm Hex Head Screw with an M10 Split Lock Washer through the Adjustable Side Bracket and the rear hole on the Mounting Bracket.

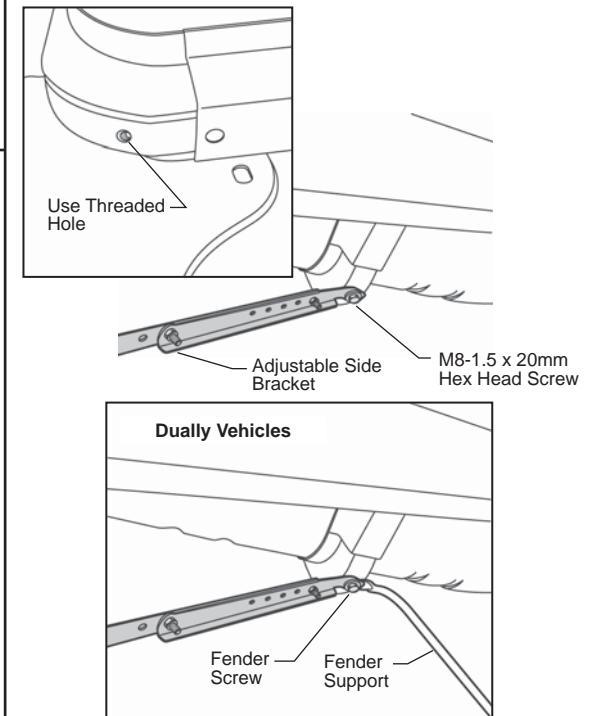


2007 – 2013 HD Models and 2014 Models

7 Secure Side Bracket to Rib

Use an M8-1.5 x 20mm Hex Head Screw to secure the Adjustable Side Bracket to the threaded hole in the bed support rib.

NOTE If installing on a Dually, remove the fender screw and re-install it through the fender support and the Adjustable Side Bracket.



TrekStep Side-Mount™ – Installation Instructions

Chevrolet / GMC Regular and Extended Cab 6.5' and 8' Beds

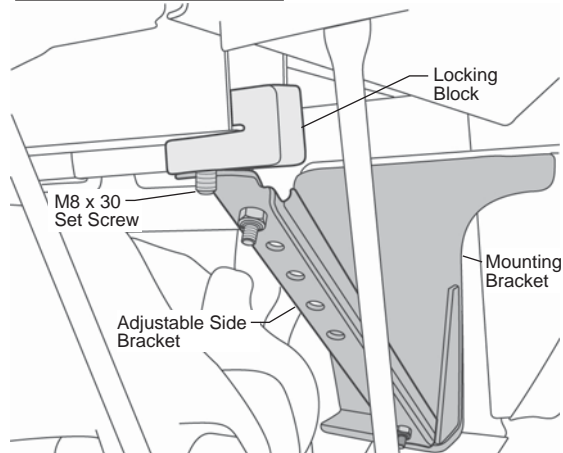
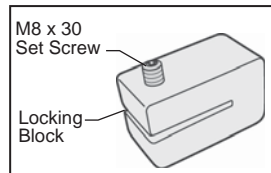
Beds with Open Rib

7 Install Locking Block

Thread the M8 x 30 Set Screw into the hole in the Locking Block.

Slip the Locking Block over the end of the support rib that is above the rear tire. Tighten the Set Screw.

NOTE Locking Block is only installed on beds with open ribs.

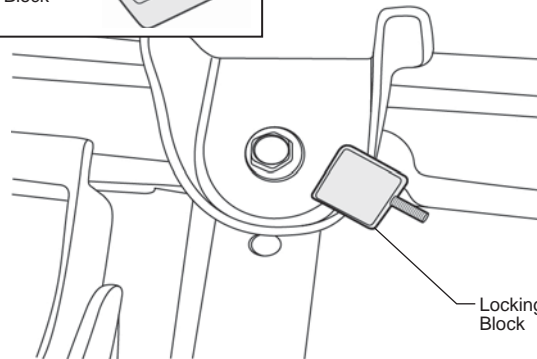
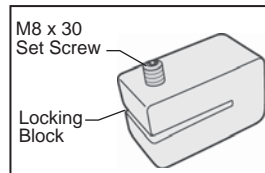


Some 2014 to Current HD Models

8 Install Locking Block

Thread the M8 x 30 Set Screw into the hole in the Locking Block.

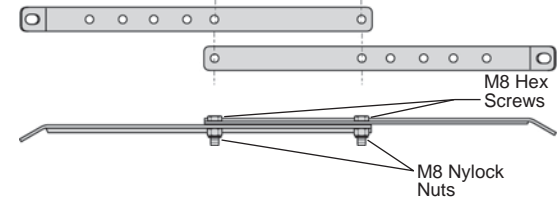
Slip the Locking Block over the end of the support rib that is above the rear tire. Tighten the Set Screw.



Some 2014 to Current HD Models

9 Assemble Adjustable Side Brackets

Line up the holes of the two (2) Adjustable Side Brackets as shown. Secure them with two (2) M8-1.25 x 20mm Hex Head Screws and M8-1.25 Nylock Nuts. Leave the nuts loose to adjust as necessary to fit your vehicle.



TrekStep Side-Mount™ – Installation Instructions

Chevrolet / GMC Regular and Extended Cab 6.5' and 8' Beds

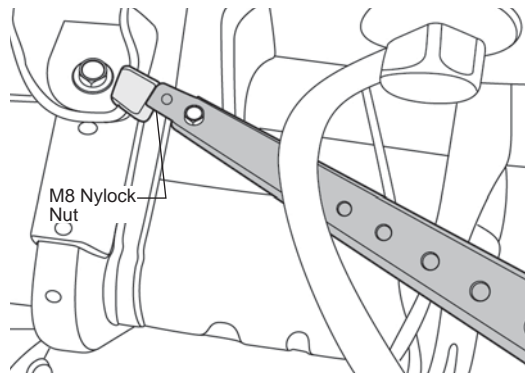
Some 2014 to Current HD Models

10 Secure Side Bracket to Locking Block

Adjust the Side Bracket so it fits over the end of the M8 x 30mm Set Screw. Use an M8 Lock Nut to secure the bracket to the Set Screw and tighten.

Attach the other end of the Side Bracket to the Mounting Bracket with an M10-1.5 x 45mm Hex Head Screw.

Tighten the two (2) M8-1.25 x 20mm Hex Head Screws and M8-1.25 Nylock Nuts on the Adjustable Side Bracket.

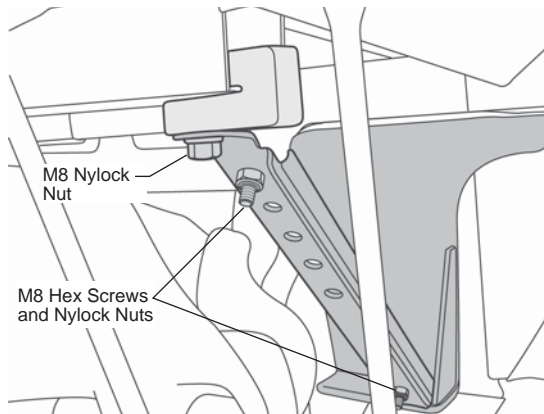


Beds with Open Rib

11 Secure Side Bracket to Locking Block

Adjust the Side Bracket so it fits over the end of the M8 x 30mm Set Screw. Use an M8 Lock Nut to secure the bracket to the Set Screw and tighten.

Tighten the two (2) M8-1.25 x 20mm Hex Head Screws and M8-1.25 Nylock Nuts on the Adjustable Side Bracket.

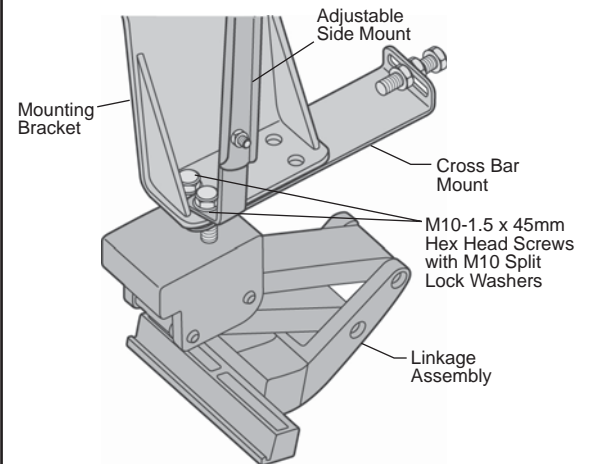


All 6.5' and 8' Beds

12 Install Cross Bar and Linkage

Place the Cross Bar Mount under the Mounting Bracket. Thread one M10-1.5 x 45mm Hex Head Screw with an M10 Split Lock Washer through both brackets into the Linkage. Thread the other M10-1.5 x 45mm Hex Head Screw with M10 Split Lock Washer through the Cross Bar Mount and both brackets into the Linkage.

NOTE Make sure to mount the Linkage Assembly to the holes toward the outside of the Mounting Bracket.

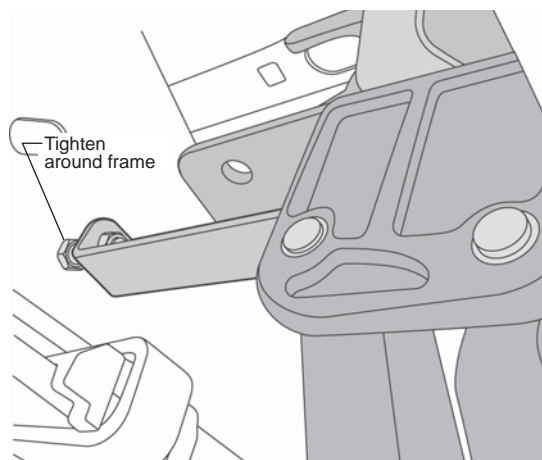


TrekStep Side-Mount™ – Installation Instructions

Final Assembly All Vehicles

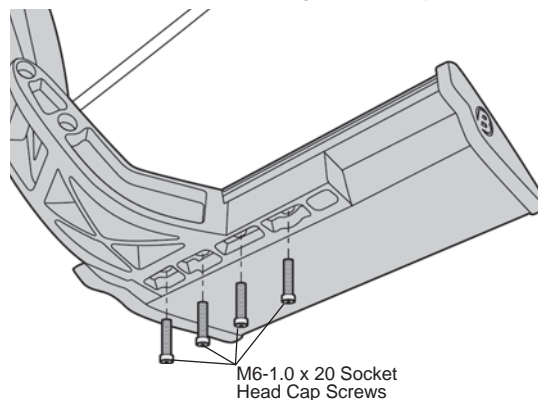
13 Secure Cross Bar

Adjust the screw on the Cross Bar until the frame is sandwiched between the nuts. Tighten the screw against the frame and tighten both nuts against the cross bar.



14 Install Step

Use the M6-1.0 x 20 Socket Head Cap Screws to mount the Step to the Linkage Assembly.

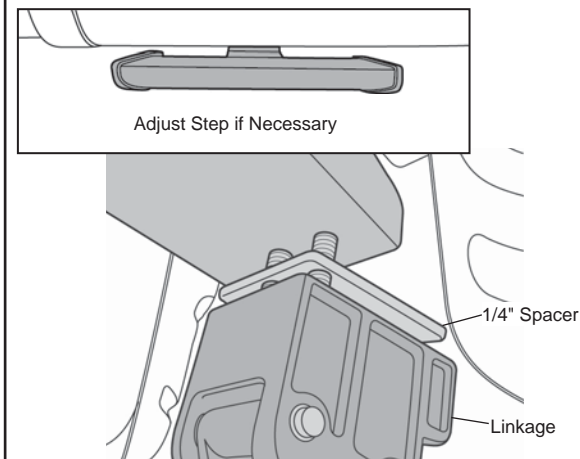


15 Step Adjustment

Once the Step is installed on the vehicle, you may adjust it as desired.

If necessary to adjust the height, use the three (3) 1/4" Spacers provided. Remove the M10-15 x 45mm Hex Bolts installed in Step 4 and place the 1/4" Spacers between the Frame Mount and the Linkage. Reinstall the Hex Bolts.

When the Step is in the desired position tighten all nuts.



TrekStep Side-Mount™ – Installation Instructions

Operation

- The TrekStep™ is foot operated and deploys and retracts with a nudge of your foot.
- To deploy, press down using your foot, on the forward outside corner of the step pad.
- To retract, gently kick the underside of the step pad.
- Max Load Capacity: 400 lbs.
- Always use appropriate hand holds when stepping up to or down from your truck's cargo bed.

Care and Maintenance

The step pad surface and linkage arms should be washed with mild soap and water using a soft brush or sponge to dislodge any mud, dirt or accumulated road grime. Rinse with fresh water. After it is dry, lubricate the hinge with 3-IN-ONE Oil.

To prevent slipping, avoid applying waxes, lubricants or protectants like Armor All® to the step surface.

Attention!

TrekStep™ SHOULD ALWAYS BE STOWED IN THE RETRACTED POSITION WHEN DRIVING.

LIMITED WARRANTY

We warrant our product to be free from defects in material and workmanship, for the terms specified below, provided there has been normal use and proper maintenance. This warranty applies to the original purchaser only. All remedies under this warranty are limited to the repair or replacement of any item or items found by the factory to be defective within the time period specified. If you have a warranty claim, first you must call our factory at the number below for instructions. You must retain proof of purchase and submit a copy with any items returned for warranty work. Upon completion of warranty work, if any, we will return the repaired or replaced item or items to you freight prepaid. Damage to our products caused by accidents, fire, vandalism, negligence, misinstallation, misuse, Acts of God, or by defective parts not manufactured by us, is not covered under this warranty.

THE WARRANTY TIME PERIOD IS AS FOLLOWS FOR ALL TrekSteps™ MANUFACTURED BY OUR COMPANY: THREE YEARS / 36,000 MILES FROM DATE OF PURCHASE.

ANY IMPLIED WARRANTIES OF MERCHANTABILITY AND/OR FITNESS FOR A PARTICULAR PURPOSE CREATED HEREBY ARE LIMITED IN DURATION TO THE SAME DURATION AND SCOPE AS THE EXPRESS WRITTEN WARRANTY. OUR COMPANY SHALL NOT BE LIABLE FOR ANY INCIDENTAL OR CONSEQUENTIAL DAMAGE.

Some states do not allow limitations on how long an implied warranty lasts, or the exclusion or limitation of incidental or consequential damages, so the above limitations or exclusions may not apply to you. This warranty gives you specific legal rights, and you may also have other rights which vary from state to state.



For further information or request for warranty work, please contact:
Bestop Inc. Customer Service
Toll-Free: (800)845-3567
Main: (303)465-1755
E-mail: csbestop@Bestop.com
Website: www.Bestop.com