



# Installation Instructions TrekStep Side-Mount™

## Vehicle Application

- Ford F150 Regular Cab and Super Cab  
6.5' and 8' Bed  
2015 – Current  
Part Number: 75417-15  
Fits both Driver's and Passenger Side

[www.bestop.com](http://www.bestop.com) - We're here to help! Visit our web site and click on "[Ask a Question](#)". Click here for more [Truck Accessories by Bestop](#).

INSTALLATION TIME	SKILL LEVEL			
 <b>1/2 Hour</b>	 <b>1 - Easy</b>			
TOOLS				
 Ratchet	 Extension	 Socket 17 mm and 20 mm	 Allen Wrench 8 mm, 3/16"	 Safety Glasses



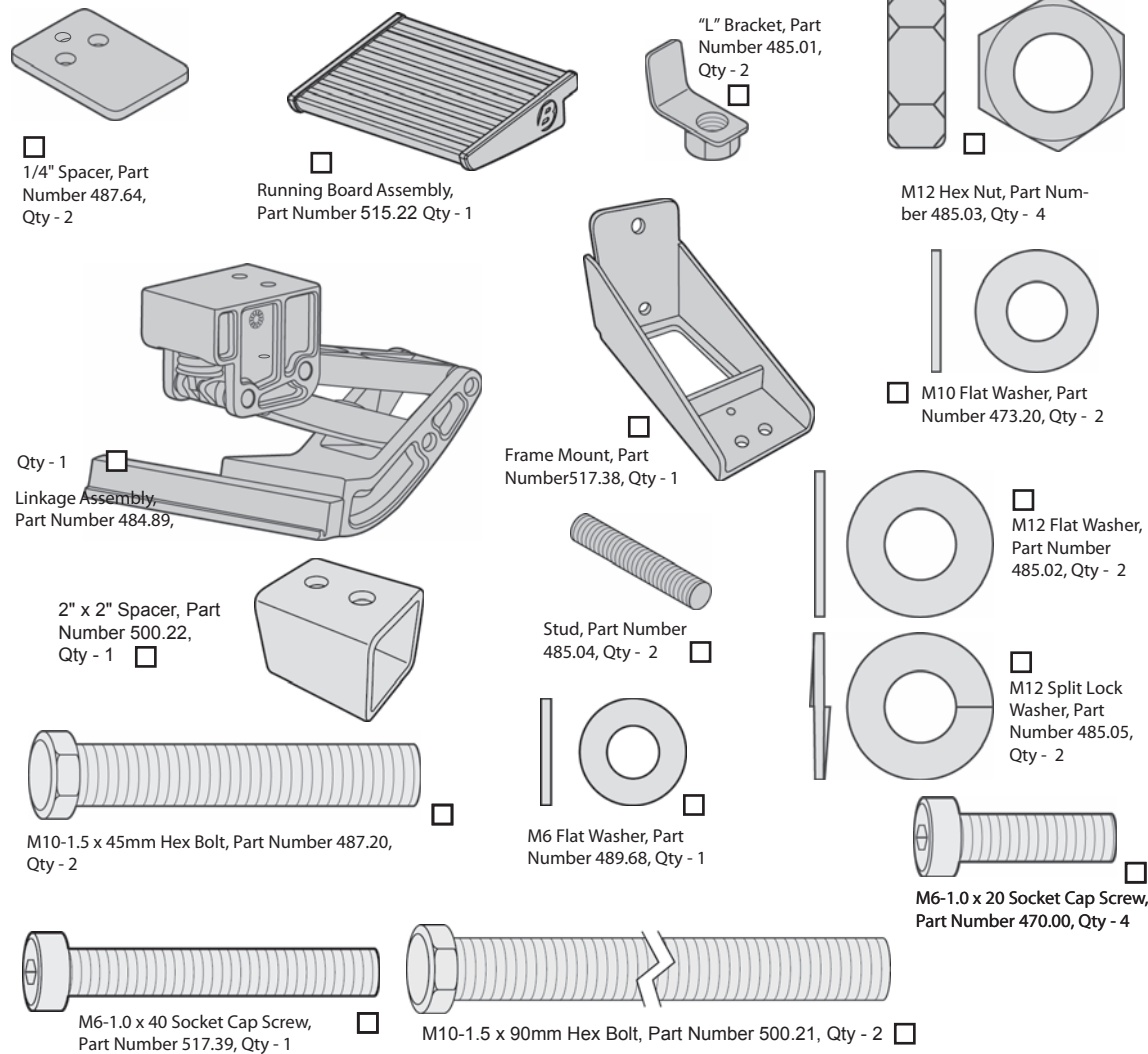
**! WARNING** Do not rely in any way on the components of this product to protect against injury or death in the event of an accident. Never operate the vehicle in excess of manufacturer's specifications.

### WEAR SEAT BELTS AT ALL TIMES

Read and follow, precisely, all installation instructions provided when installing product. Failure to do so may result in a poor fit and could place occupants of the vehicle in a potentially dangerous situation.

# TrekStep Side-Mount™ – Installation Instructions

## Parts List and Hardware Identification

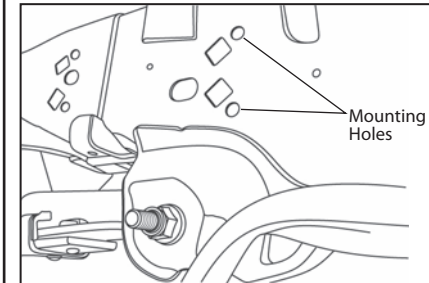


## 1 Locate Mounting Holes on Frame

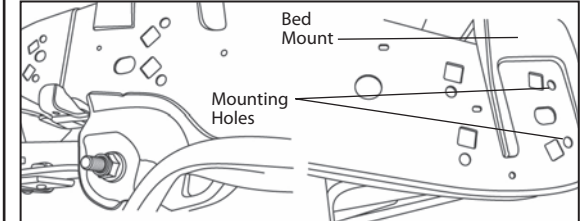
Locate the two (2) mounting holes in the frame. They are located just above the front leaf spring mount.

**NOTE** For long bed vehicle, the mounting holes are located inside the bed mount.

### 6.6' Bed Mounting Holes



### 8' Bed Mounting Holes



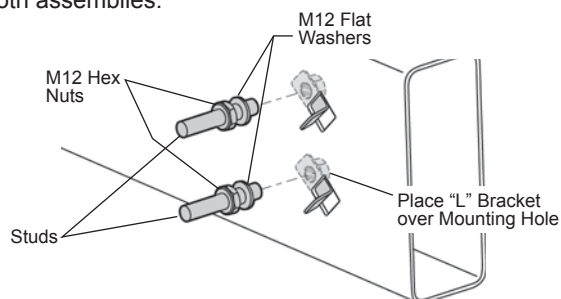
## TrekStep Side-Mount™ – Installation Instructions

### 2 Install “L” Brackets and Stud Assemblies

Thread an M12 Hex Nut and M12 Flat Washer onto each Stud. Leave at least 1" on one end of the Stud.

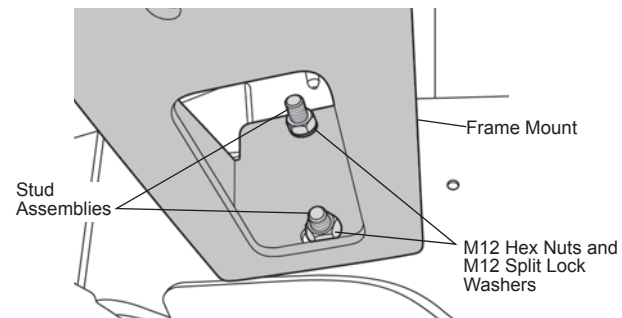
Install an “L” Bracket in the bottom hole. Screw the short end of a Stud Assembly into the bracket. Install the other “L” Bracket and Stud Assembly into the top hole.

Tighten both assemblies.



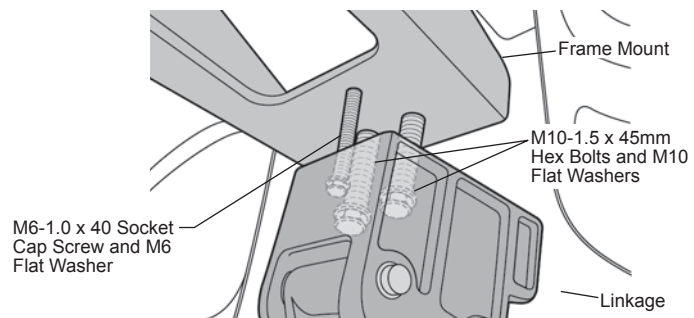
### 3 Install Frame Mount

Slide the holes in the rear of the Frame Mount over the Stud Assemblies. Secure with two (2) M12 Hex Nuts and M12 Split Lock Washers. Tighten the Hex Nuts.



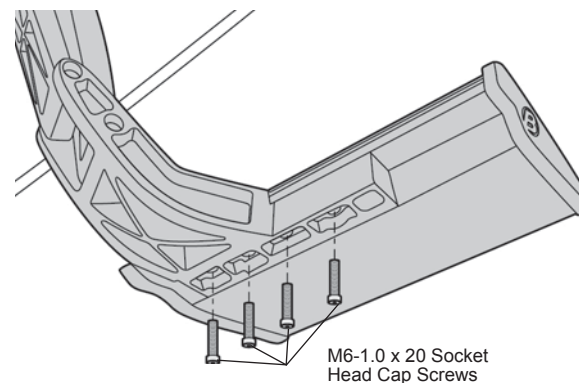
### 4 Install Linkage

Use two (2) M10-1.5 x 45mm Hex Bolts and M10 Flat Washers to mount the Linkage to the Frame Mount. Install the M6-1.0 x 40 Socket Cap Screw and M6 Flat Washer in the remaining hole.



### 5 Install Step

Use the M6-1.0 x 20 Socket Head Cap Screws to mount the Step to the Linkage Assembly.



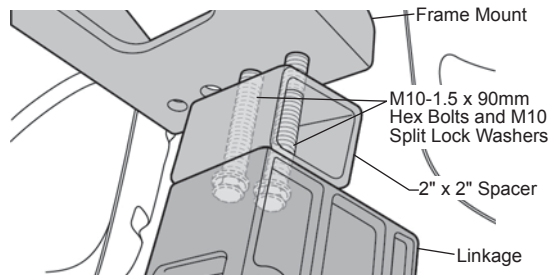
**NOTE:** If step hits the side panel when retracted, proceed to next page to install the 2" spacer. Some models require step to be lower.

# TrekStep Side-Mount™ – Installation Instructions

## Models needing 2 " spacer

### 6 Install Linkage

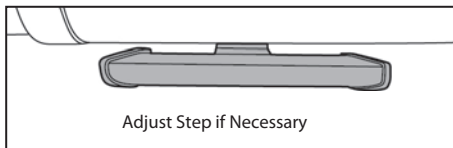
Place the 2" x 2" Spacer between the Frame Mount and the Linkage. Use two (2) M10-1.5 x 90mm Hex Bolts and M10 Split Lock Washers to mount the Linkage and Spacer to the Frame Mount. Use the two (2) mounting holes closest to the cab.



### 7 Step Adjustment

Once the Step is installed on the vehicle, you may adjust it as desired.

If necessary to adjust the height, use the two (2) 1/4" Spacers provided. Remove the M10-15 x 45mm Hex Bolts and M6-1.0 x 40 cap screws installed in Step 4 and place the 1/4" Spacers between the Frame Mount and the Linkage. Reinstall the Hex Bolts. When the Step is in the desired position tighten all nuts.



## Operation

- The TrekStep™ is foot operated and deploys and retracts with a nudge of your foot.
- To deploy, press down using your foot, on the forward outside corner of the step pad.
- To retract, gently kick the underside of the step pad.
- Max Load Capacity: 400 lbs.
- Always use appropriate hand holds when stepping up to or down from your truck's cargo bed.

## Care and Maintenance

The step pad surface and linkage arms should be washed with mild soap and water using a soft brush or sponge to dislodge any mud, dirt or accumulated road grime. Rinse with fresh water. After it is dry, lubricate the hinge with 3-IN-ONE Oil. To prevent slipping, avoid applying waxes, lubricants or protectants like Armor All® to the step surface.

### Attention!

TrekStep™ SHOULD ALWAYS BE STOWED IN THE RETRACTED POSITION WHEN DRIVING.

## TrekStep Side-Mount™ – Installation Instructions

---

### LIMITED WARRANTY

We warrant our product to be free from defects in material and workmanship, for the terms specified below, provided there has been normal use and proper maintenance. This warranty applies to the original purchaser only. All remedies under this warranty are limited to the repair or replacement of any item or items found by the factory to be defective within the time period specified. If you have a warranty claim, first you must call our factory at the number below for instructions. You must retain proof of purchase and submit a copy with any items returned for warranty work. Upon completion of warranty work, if any, we will return the repaired or replaced item or items to you freight prepaid. Damage to our products caused by accidents, fire, vandalism, negligence, misinstallation, misuse, Acts of God, or by defective parts not manufactured by us, is not covered under this warranty.

THE WARRANTY TIME PERIOD IS AS FOLLOWS FOR ALL TrekSteps™ MANUFACTURED BY OUR COMPANY: THREE YEARS / 36,000 MILES FROM DATE OF PURCHASE.

ANY IMPLIED WARRANTIES OF MERCHANTABILITY AND/OR FITNESS FOR A PARTICULAR PURPOSE CREATED HEREBY ARE LIMITED IN DURATION TO THE SAME DURATION AND SCOPE AS THE EXPRESS WRITTEN WARRANTY. OUR COMPANY SHALL NOT BE LIABLE FOR ANY INCIDENTAL OR CONSEQUENTIAL DAMAGE.

Some states do not allow limitations on how long an implied warranty lasts, or the exclusion or limitation of incidental or consequential damages, so the above limitations or exclusions may not apply to you. This warranty gives you specific legal rights, and you may also have other rights which vary from state to state.



For further information or request for warranty work, please contact:  
Bestop Inc. Customer Service  
Toll-Free: (800)845-3567  
Main: (303)465-1755  
E-mail: [csbestop@Bestop.com](mailto:csbestop@Bestop.com)  
Website: [www.Bestop.com](http://www.Bestop.com)