



# Installation Instructions Supertop for Trucks

Vehicle Application:  
Nissan Frontier 5 FT Bed 2005-Current  
Part Number 77338

## Installation Tips

Before you begin installing your new Supertop, please read all the instructions thoroughly.

It is recommended that two people install this Bestop product.

For a smooth fit:

For easier installation, the top should be installed at a temperature above 72° F. Below this temperature, the fabric may contract an inch or more, making it difficult to fit the vehicle. You may let the fabric sit in the sun for 15-20 minutes before installing to let the fabric warm up.

It is normal for the fabric to contract and wrinkle when stored in the shipping carton. Within a few days after installation, the fabric will relax and the wrinkles will disappear.




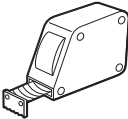


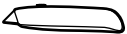
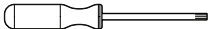

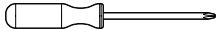


**WARNING** Do not rely in any way on the components of this product to protect against injury or death in the event of an accident. Never operate the vehicle in excess of manufacturer's specifications.

Read and follow, precisely, all installation instructions provided when installing this product. Failure to do so may result in a poor fit and could place occupants of the vehicle in a potentially dangerous situation.



**CAUTION** Safety glasses should be worn at all times when installing this product.

**WEAR SEAT BELTS AT ALL TIMES**

Tools				Installation Time		Support	
 Ratchet	 10mm Socket	 3/8" and 9/16" Wrenches	 Tape Measure	<b>2 00</b>	2 hours	We're here to help! Go to: <a href="https://www.bestop.com">https://www.bestop.com</a> and click on Need Help?	
 Safety Glasses	 1/8" Allen Wrench	 Utility Knife	 T20 Torx Driver				
 Wire Ties (Not included)	 Phillips Screwdriver			<b>Skill Level</b>		 <a href="https://www.bestop.com/video-library">https://www.bestop.com/video-library</a>	
				 3 - Moderately Difficult			



## Installation Instructions Supertop for Trucks

Vehicle Application:  
Nissan Frontier 5 FT Bed 2005-Current  
Part Number 77338

### Sugerencias de Instalación

**Antes de empezar a instalar esta unidad, lea atentamente todas las instrucciones.**

**Para un buen ajuste:**

Para facilitar la instalación, el producto debe instalarse a temperaturas superiores a 72 °F (22 °C).

Por debajo de esta temperatura, la tela puede encogerse una pulgada o más, lo que dificultaría su ajuste al vehículo.

Es normal que la tela se contraiga o arrugue cuando está guardada en la caja de empaque. A los pocos días después de la instalación, la tela se relajará y las arrugas desaparecerán.



#### ADVERTENCIA

Este producto se diseñó principalmente para mejorar la apariencia del vehículo y proteger a los ocupantes de las condiciones climáticas comunes. De ninguna manera piense que los componentes de este producto pueden servir como medio de contención para los ocupantes del vehículo o que pueden protegerlos contra lesiones o la muerte en caso de accidente. Este producto no protegerá a los ocupantes contra caídas de objetos. Nunca conduzca este vehículo fuera de las especificaciones del fabricante.

#### USE LOS CINTURONES DE SEGURIDAD EN TODO MOMENTO

Lea y siga con precisión todas las instrucciones de instalación que se proporcionan para instalar este producto. Si no lo hace, podría producirse un mal ajuste que colocaría a los ocupantes del vehículo en una situación potencialmente peligrosa.



#### PRECAUCIÓN

Debe usar gafas protectoras en todo momento durante la instalación de este producto.

### Conseils pour l'installation

**Lire toutes les instructions au complet avant de commencer l'installation de cet assemblage.**

**Pour un ajustement sans problème :**

Afin de faciliter l'installation, ce produit doit être installé à des températures au-dessus de 72 °F (22 °C).

Sous cette température, le tissu peut rétrécir d'un pouce (2,5 cm) ou plus, ce qui rendra l'ajustement sur le véhicule difficile.

Il est normal que le tissu rétrécisse et plisse pendant qu'il est dans la boîte d'expédition. En quelques jours après l'installation, le tissu se détendra et les plis disparaîtront.



#### AVERTISSEMENT

Ce produit est conçu principalement pour améliorer l'apparence du véhicule et pour protéger les occupants des conditions météorologiques usuelles. Ne jamais se fier aux composants de ce produit pour se protéger de blessures ou de la mort en cas d'accident. Ce produit ne protégera pas les occupants des chutes d'objets. Ne jamais utiliser le véhicule au-delà des caractéristiques techniques indiquées par le fabricant.

#### PORTER UNE CEINTURE DE SÉCURITÉ EN TOUT TEMPS

Lire et suivre, très fidèlement, toutes les instructions d'installation fournies lors de l'installation de ce produit. Ne pas suivre cette consigne peut causer une installation inadéquate et mettre les occupants du véhicule dans une situation potentiellement dangereuse.



#### MISE EN GARDE

Des lunettes de sécurité doivent être portées en tout temps lors de l'installation de ce produit.

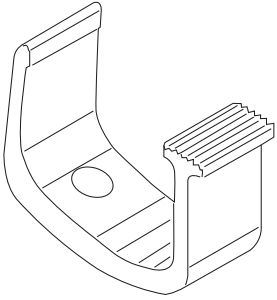


# Installation Instructions Supertop for Trucks

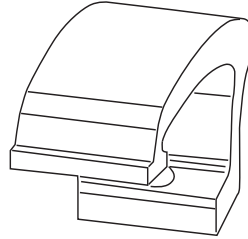
Vehicle Application:  
Nissan Frontier 5 FT Bed 2005-Current  
Part Number 77338

## Parts List

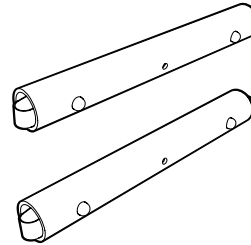
Parts Kit # 659.18



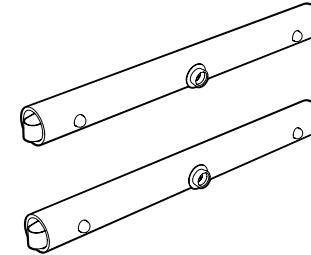
Inner Clamp  
Part #595.34  
Qty. 4



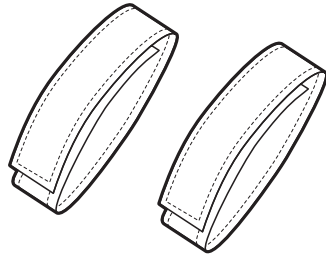
Upper Clamp  
Part #582.06  
Qty. 4



Bow Coupler  
#2 & #3 Bows  
Part #576.05  
Qty. 2



Bow Coupler  
#1 & #4 Bows  
Part #576.04  
Qty. 2



Tie Down Strap  
Part #410.42  
Qty. 2



Hex Head Bolt  
Part #581.75  
Qty. 4  
9/16" Wrench



Set Screw  
Part #573.17  
Qty. 4  
1/8" Hex Key



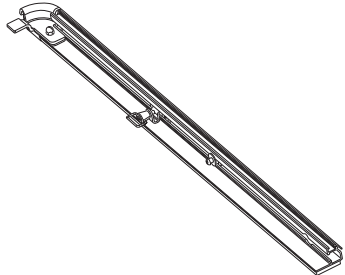
# Installation Instructions Supertop for Trucks

Vehicle Application:  
Nissan Frontier 5 FT Bed 2005-Current  
Part Number 77338

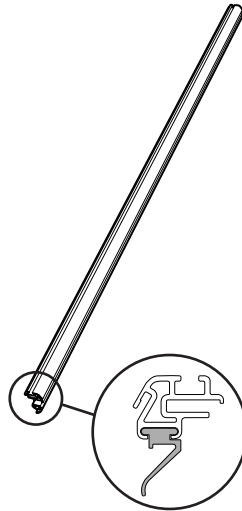
## Parts List



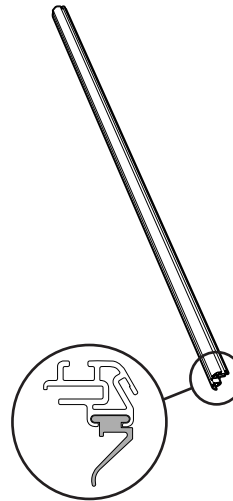
Left Front Side Rail  
Part #640.85  
Qty. 1



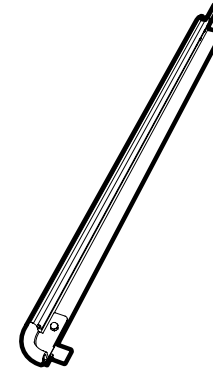
Right Front Side Rail  
Part #640.84  
Qty. 1



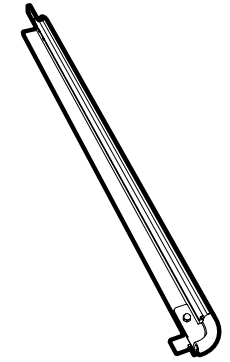
Front Rail  
(57.5 inches)  
Part #640.41  
Qty. 1



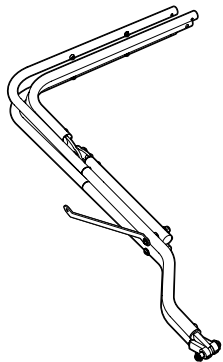
Rear Rail  
(57.5 inches)  
Part #640.48  
Qty. 1



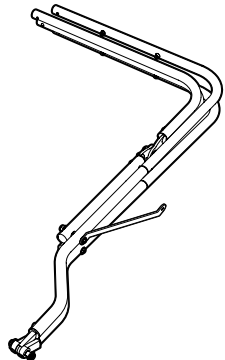
Left Rear Side Rail  
Part #641.29  
Qty. 1



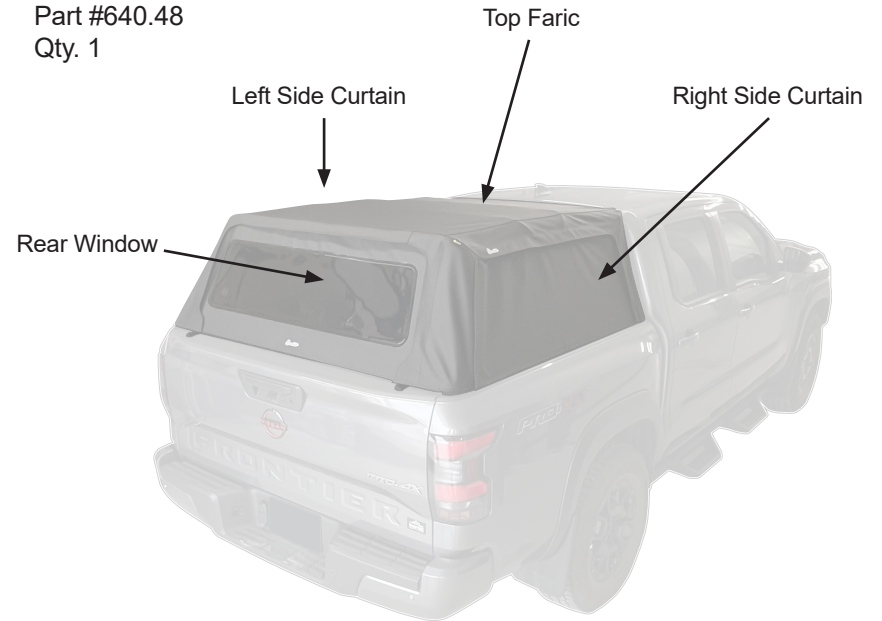
Right Rear Side Rail  
Part #641.28  
Qty. 1



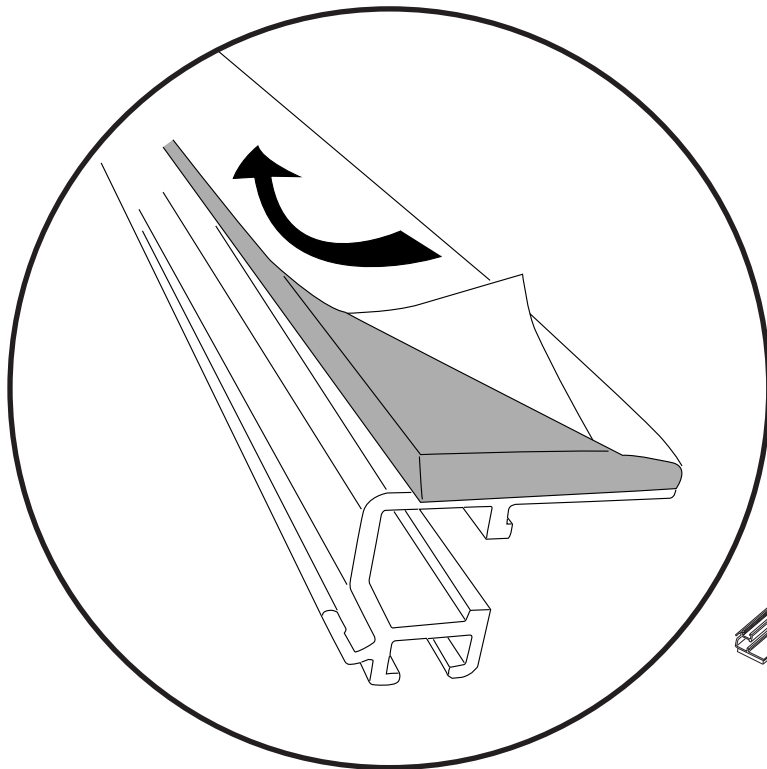
Bow Stack -  
Driver Side  
Part #579.45P  
Qty.1



Bow Stack -  
Passenger Side  
Part #579.44P  
Qty.1





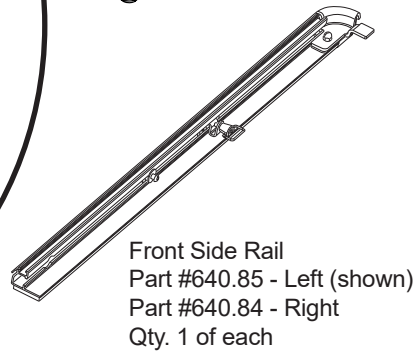


Locate the Foam Tape on the Left and Right Side Rails, and remove the paper backing from the foam tape.

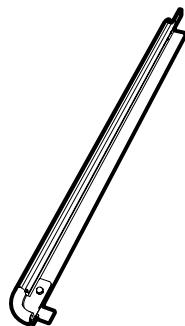
Repeat with the both Side Rails.

**Parts**

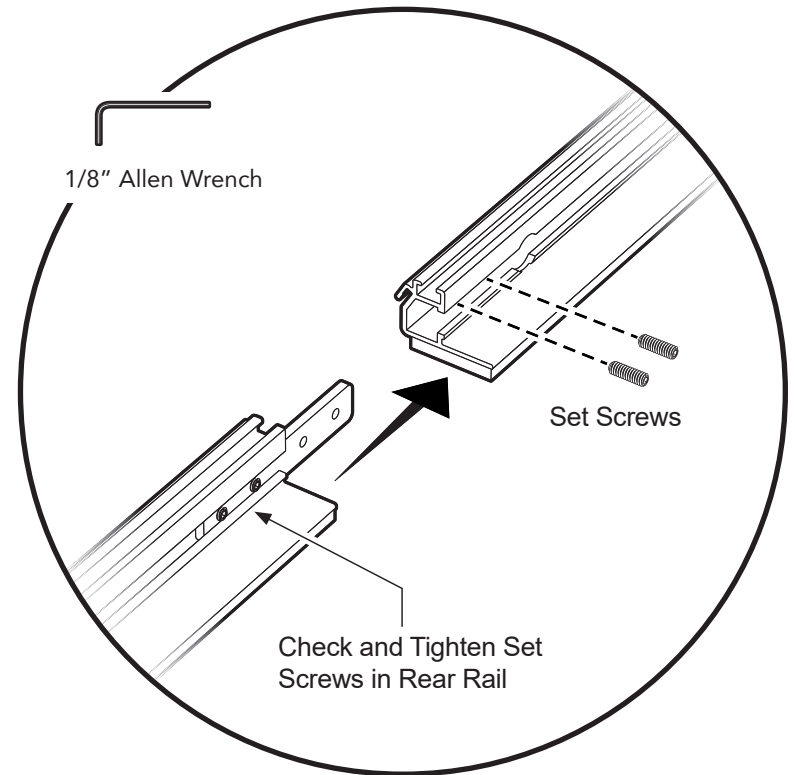
Set Screw  
Part #573.17  
Qty. 4



Front Side Rail  
Part #640.85 - Left (shown)  
Part #640.84 - Right  
Qty. 1 of each



Rear Side Rail  
Part #641.28 - Left (shown)  
Part #641.29 - Right  
Qty. 1 of each



Check and Tighten Set Screws in Rear Rail

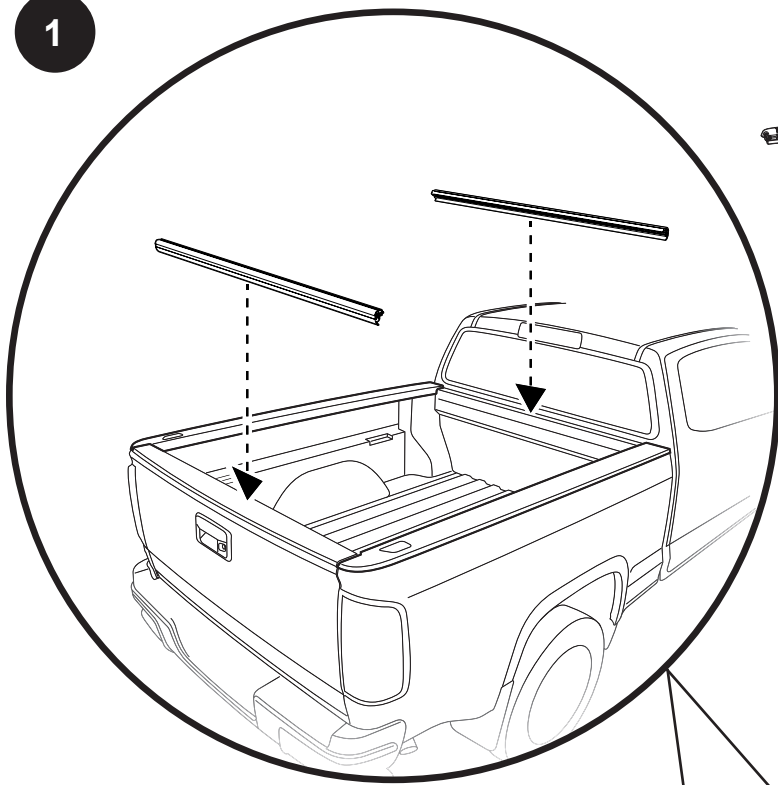
Assemble the Left Front Side Rail and the Left Rear Side Rail.

Slide the rails together, and secure using two set screws.

Check and tighten the two (2) set screws in the rear rail.

Repeat with the Right Side Rails.

1



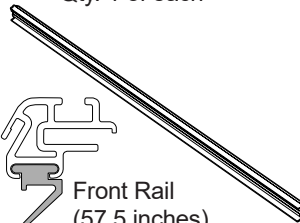
Place the Front Rail and Rear Rail onto the truck bed.

Lay the Rails on top of the truck bed in front, and on top of the plastic bed protector at the rear.

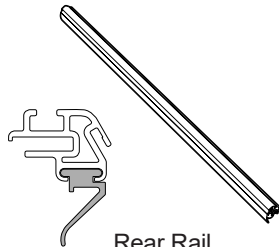
Parts



Side Rail Assemblies  
Qty. 1 of each

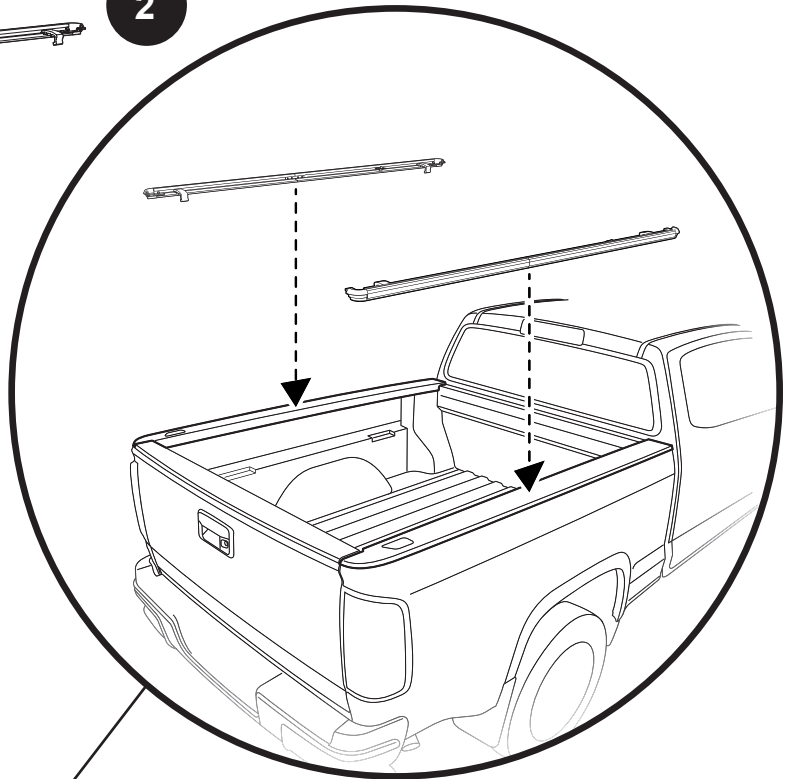


Front Rail  
(57.5 inches)  
Part #640.41  
Qty. 1



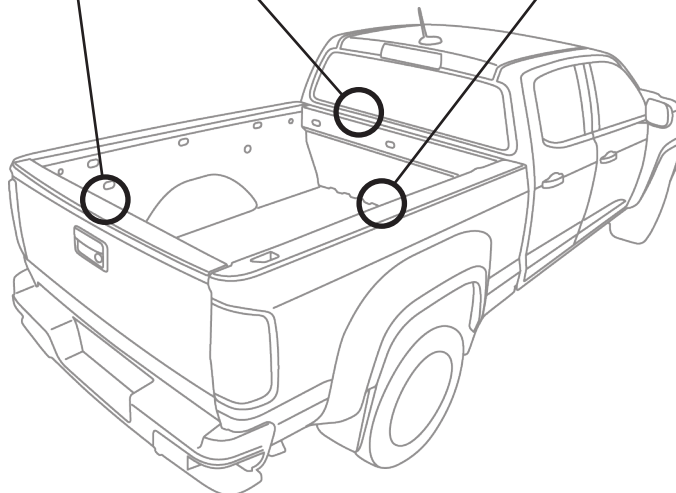
Rear Rail  
(57.5 inches)  
Part #640.48  
Qty. 1

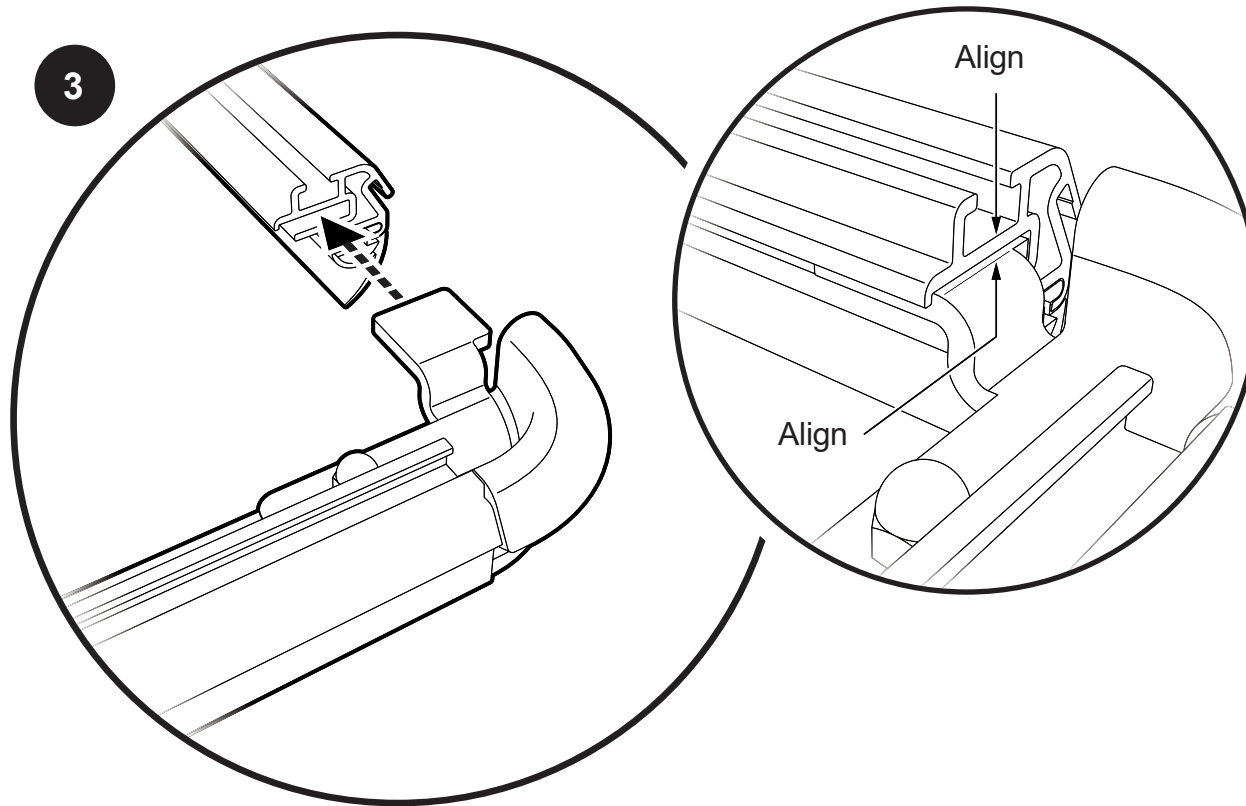
2



Place Side Rail assemblies onto the truck bed. Lay the Rails on top of the plastic bed protectors.

Attach the Side Rails to the Front and Rear Rails.

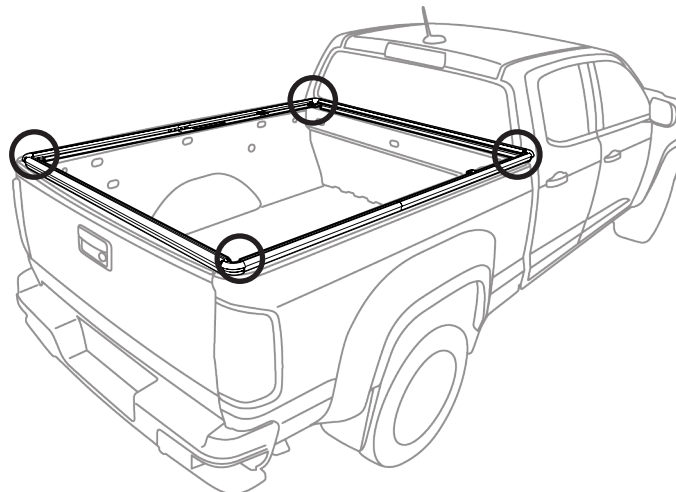


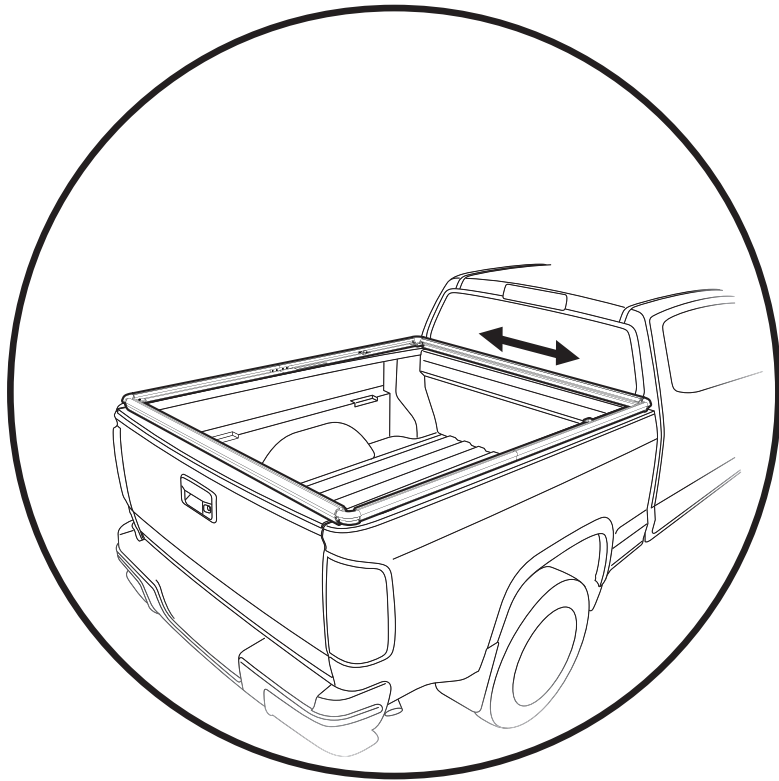


Attach the Front and Rear Rails to the Side Rail Assemblies.

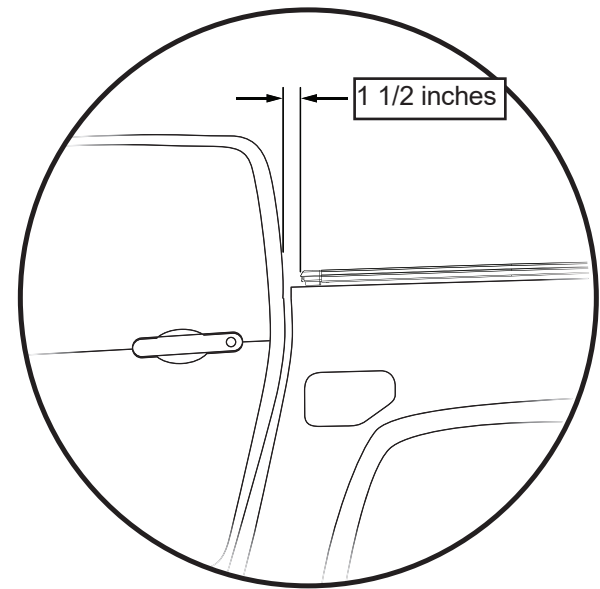
Slide the tabs at the front and rear of the Side Rail Assemblies into the slots in the Front and Rear Rails.

Make sure that the ends of the Front Rail and Rear Rail extrusions are aligned with the tongue of the attachment feature, where the tongue bends, and the small corner protrudes.

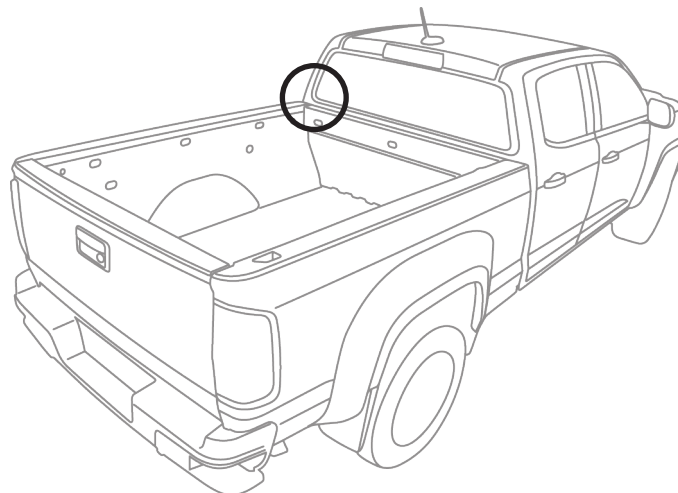


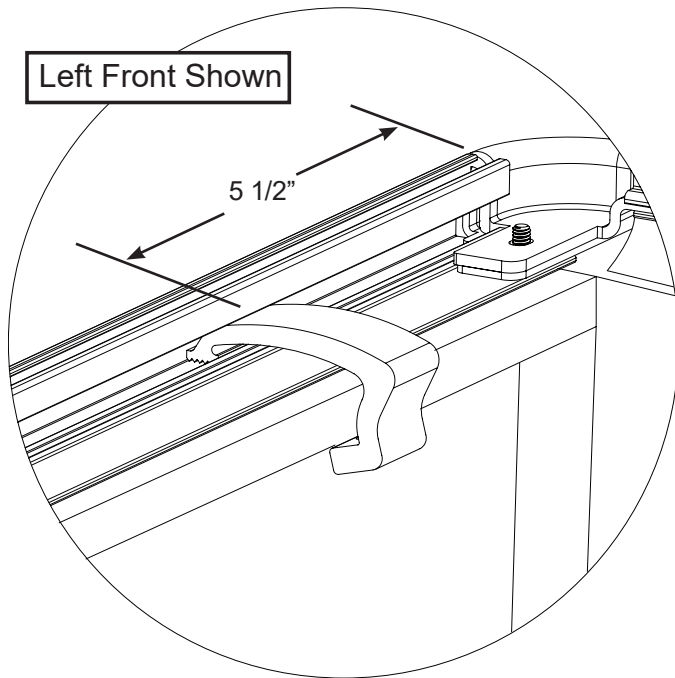


Adjust the Side and Front and Rear Rail assembly right-to-left to center it on the bed width.

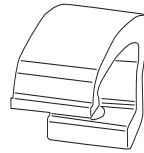


Place the outer edge of both side rail corners 1 1/2 inches from the back of the vehicle cab.

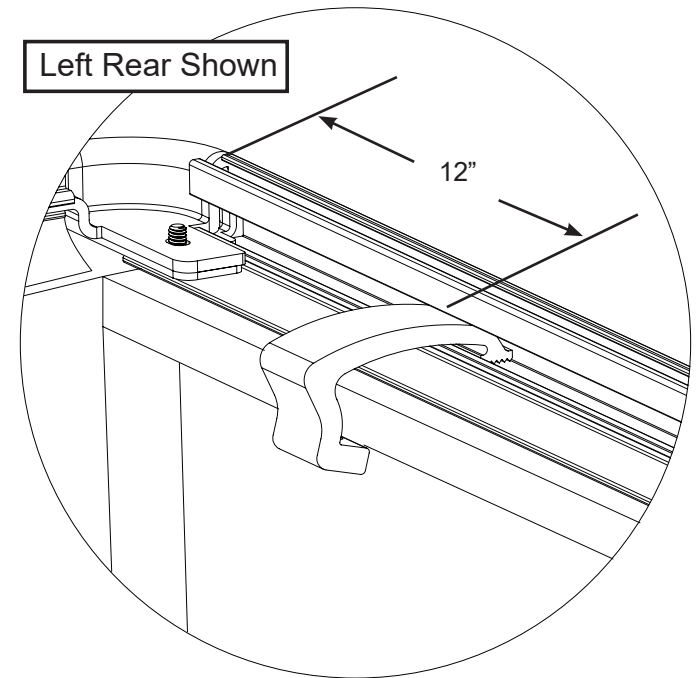




Hardware



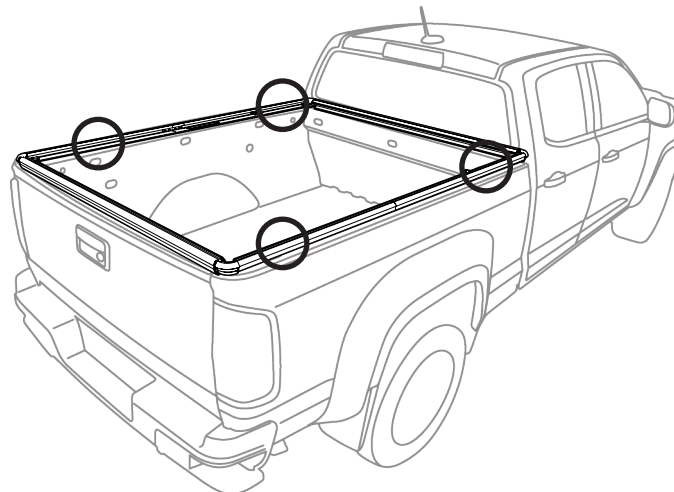
Upper Clamp  
Part #582.06  
Qty. 4



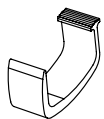
Slide upper clamps into side rails.

**Note:** To help with installation of upper clamp it is better to pick rail up off of bed, then rotate the clamp into the Side Rail.

The Upper Clamps should be located 5 1/2" from the front edge and 12" from the rear edge of the Side Rail.



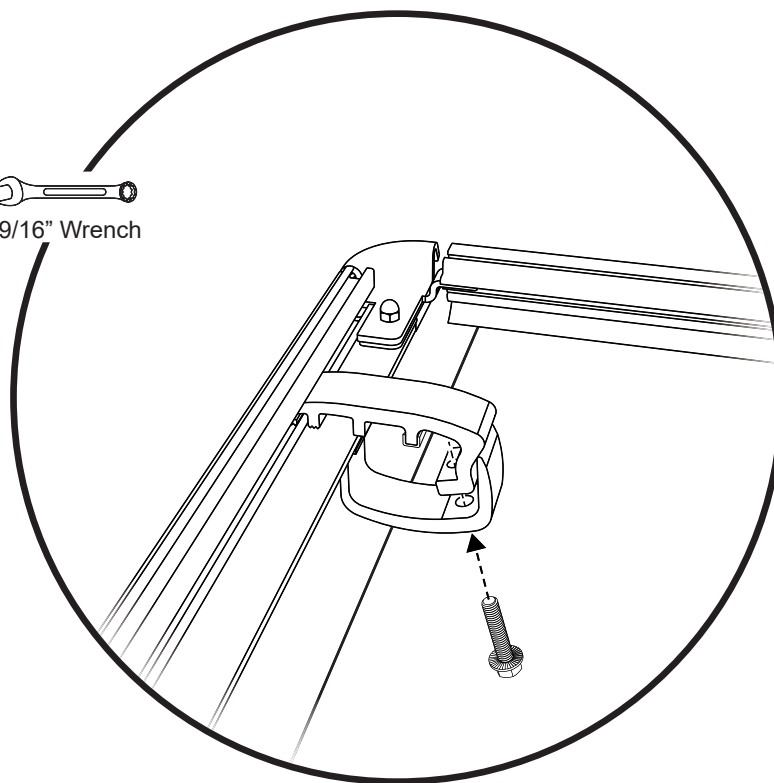
**Parts**



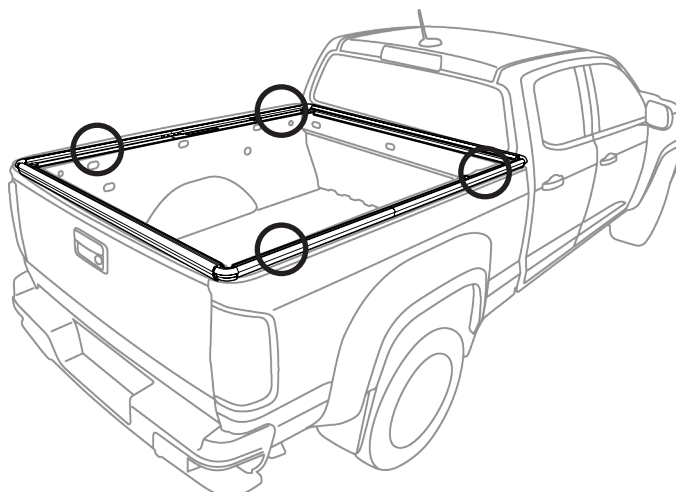
Lower Clamp  
Part #595.34  
Qty. 4



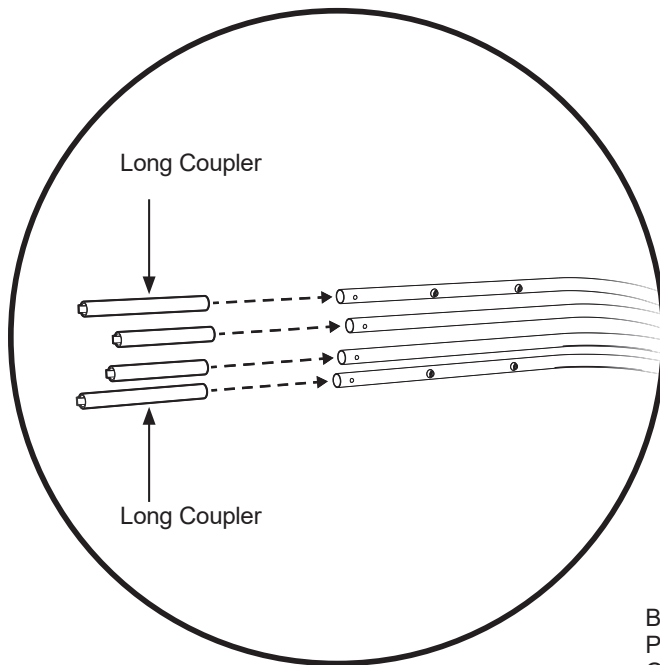
Hex Head Bolt  
Part #581.75  
Qty. 4



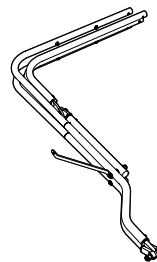
Attach Lower Clamps to the upper Clamps, using one Hex Head Bolt for each clamp.  
Check alignment of the Rail Assembly and tighten all bolts.



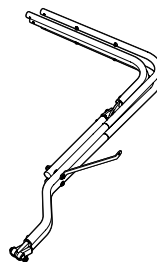




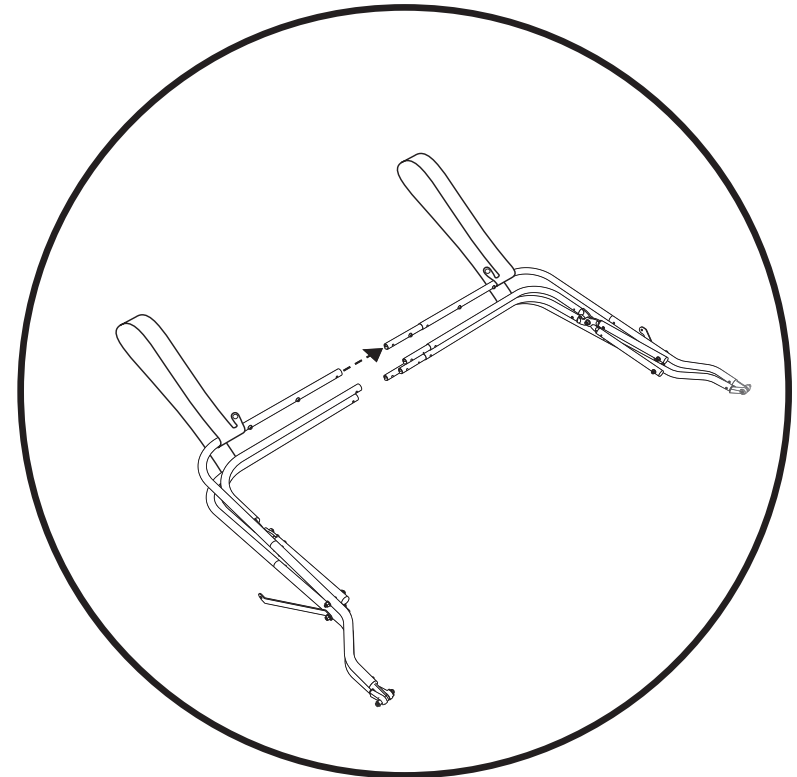
**Parts**



Bow Stack Driver Side  
Part #579.45P  
Qty.1



Bow Stack Passenger Side  
Part #579.44P  
Qty.1



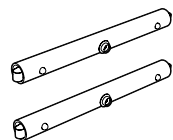
Attach Bow Couplers to the Passenger Side Bow Stack.

Insert Long Couplers into the outer bows #1 and #4.

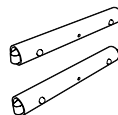
Insert Short Couplers into the inner bows #2 and #3.

**For Easier Installation:**

Slide all bows and couplers together before snapping the spring clips into the holes in the bows.



Bow Coupler  
#1 & #4 Bows  
Part #576.04  
Qty. 2

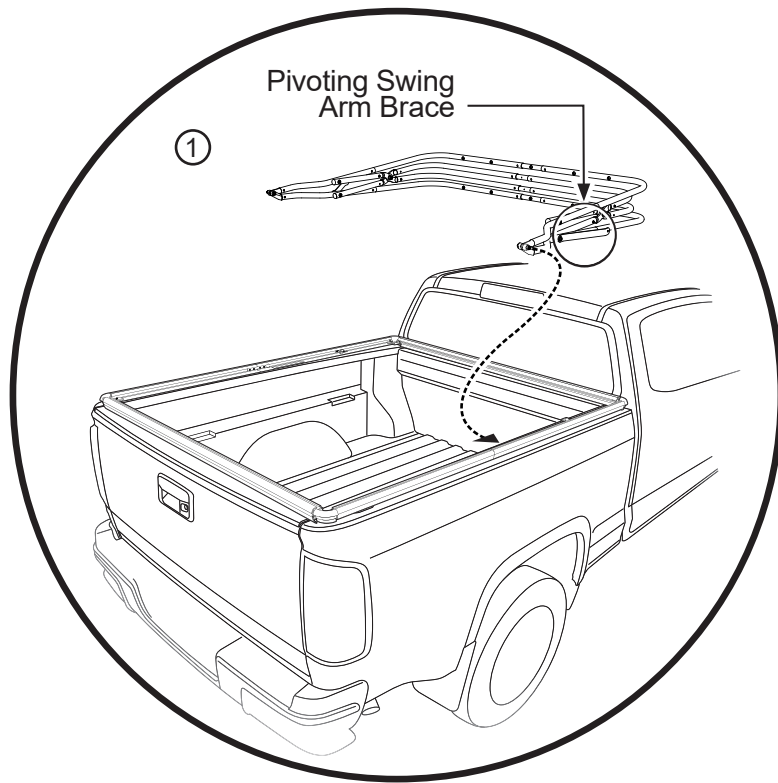


Bow Coupler  
#2 & #3 Bows  
Part #576.05  
Qty. 2

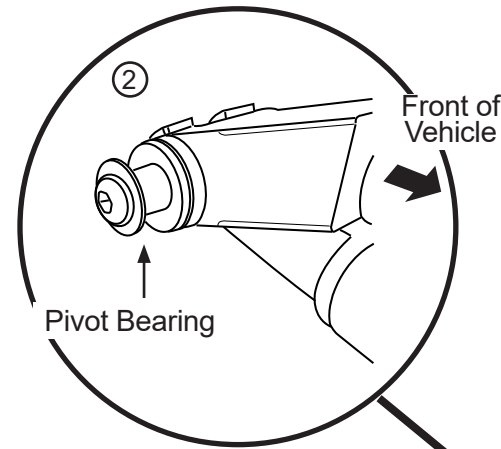
Attach Driver Side Bow Stack to the Passenger Side Bow Stack using the Couplers installed in Step 1.

Slide the Couplers installed in the Passenger Side Bow Stack into the ends of the bows on the Drivers Side Bow Stack.

**Note:** Before attaching couplers to bowstacks, make sure to pull the bond coat straps out and away from the bows, and lay them flat.

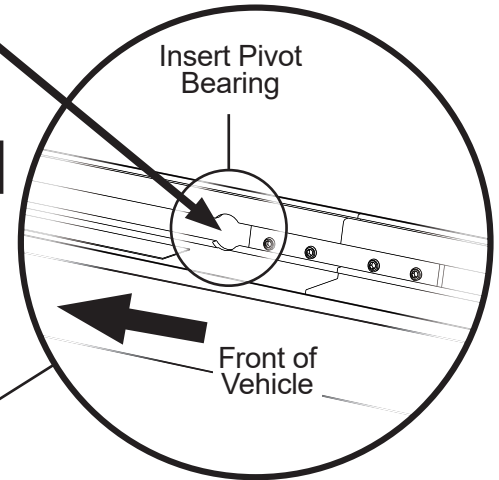


Details



Passenger Side Shown

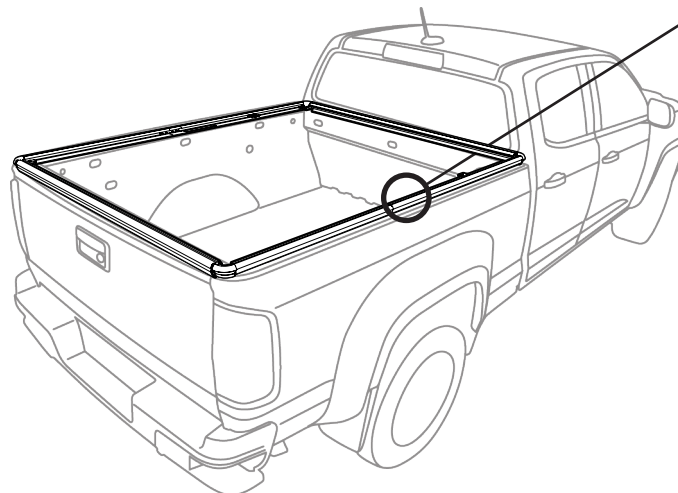
Details



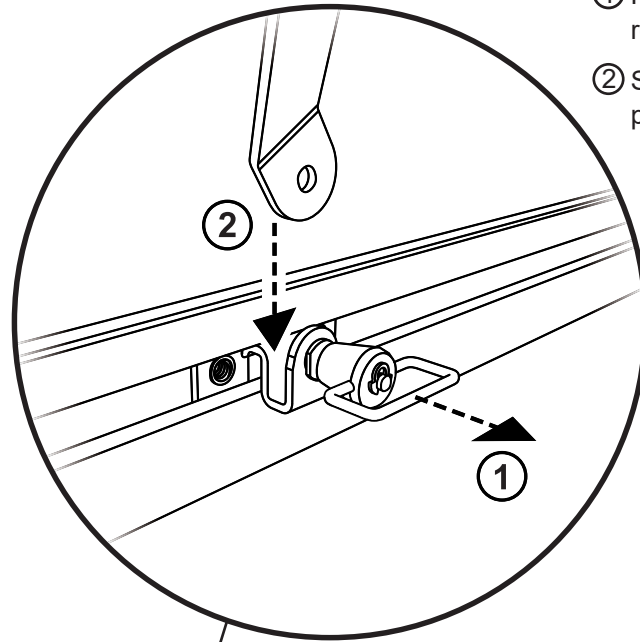
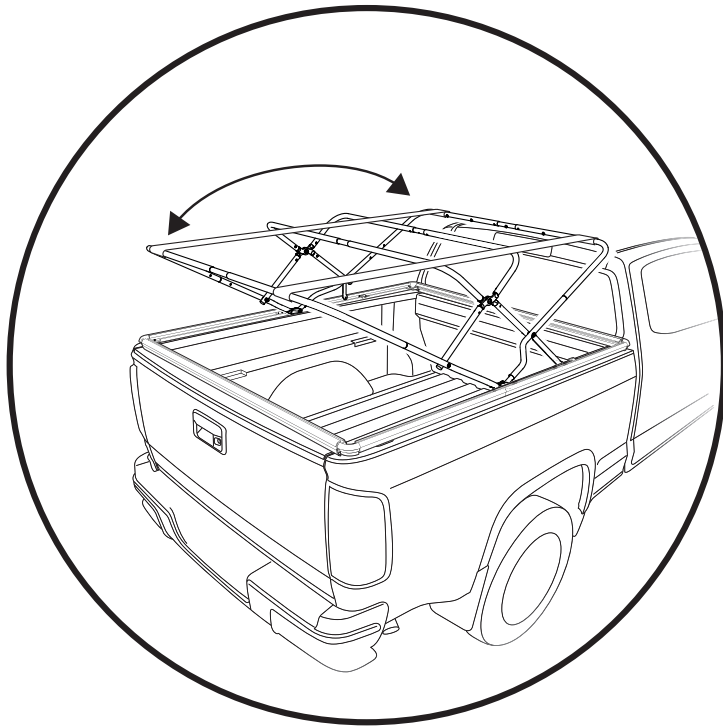
**Note:** Two People Are Required for this Part of the Installation.

- ① Place the folded Bow Assembly on the Side Rails. Make sure that the pivot swing arm braces are on the lowest bow.
- ② Insert the Pivot Bearings into the receiving holes in the inside of the side rails See Details.

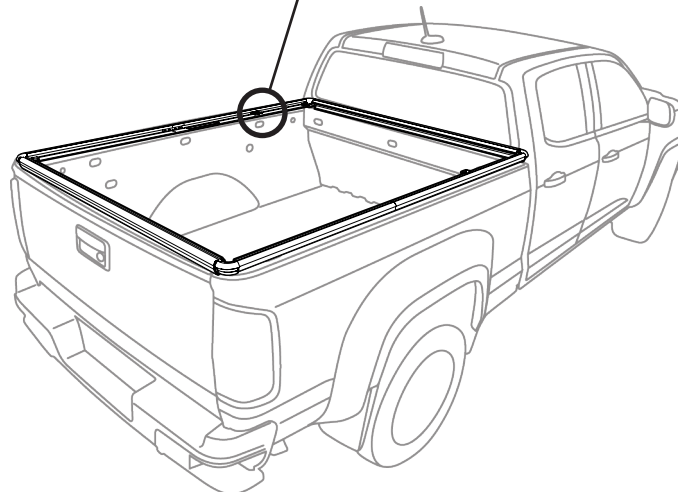
Repeat on left side of vehicle.

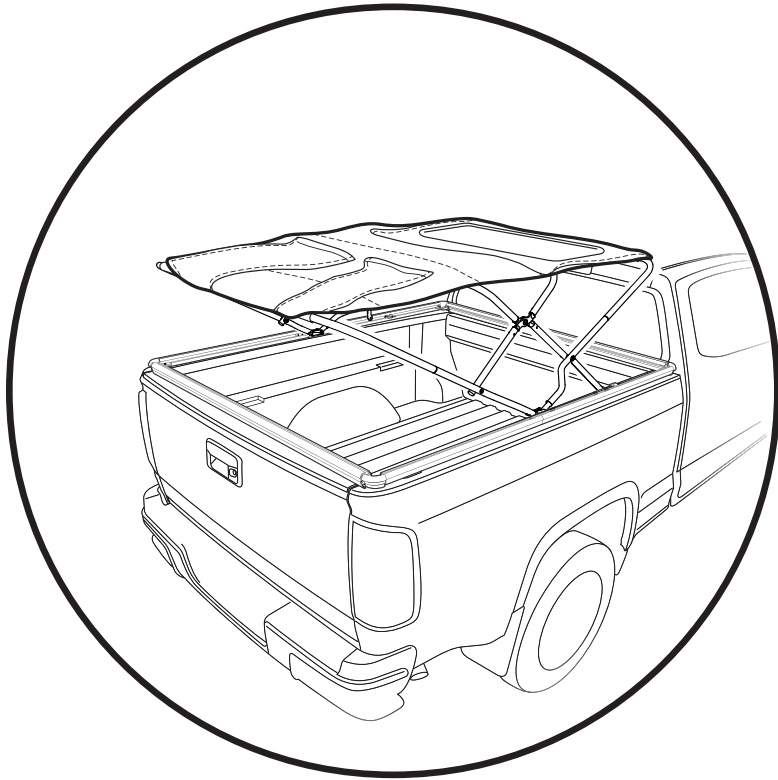


Unfold the Bow Assembly.



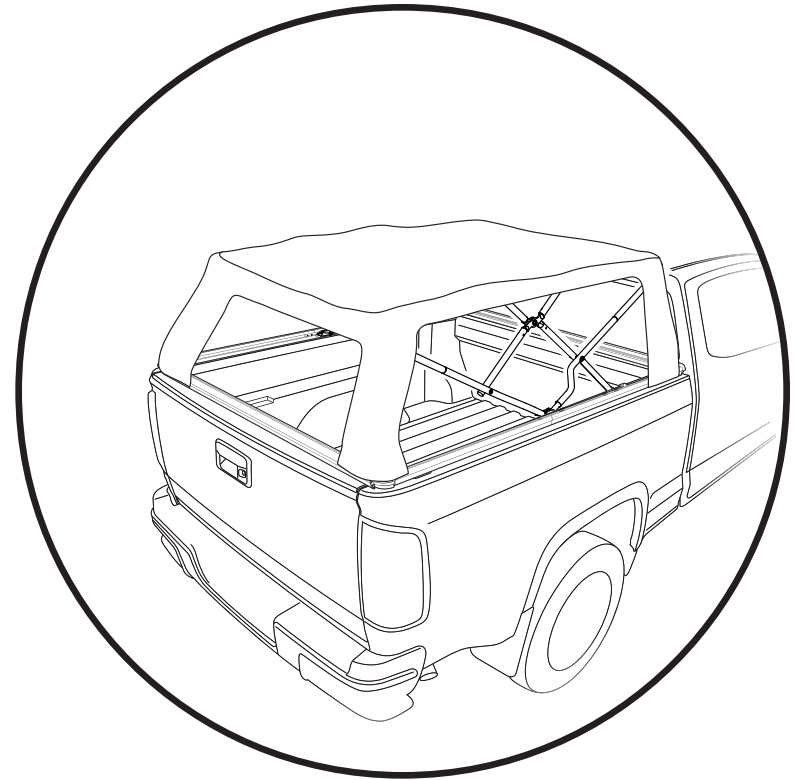
- ① Pull back on the Pivot Knuckle release knob;
- ② Snap the Pivot Arm Brace into place, on both sides of the truck.



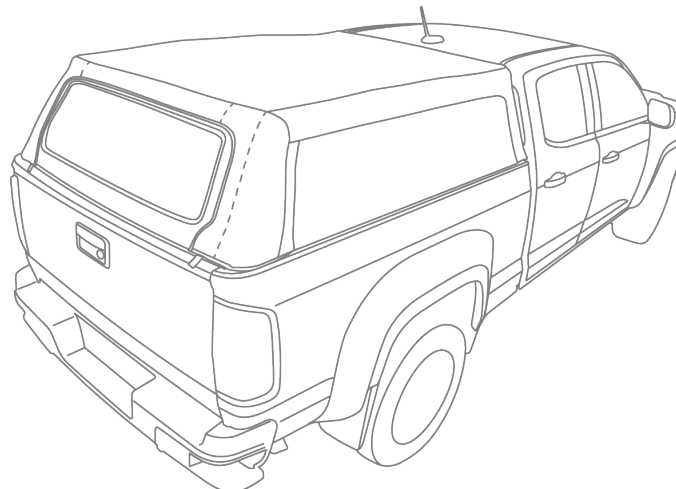


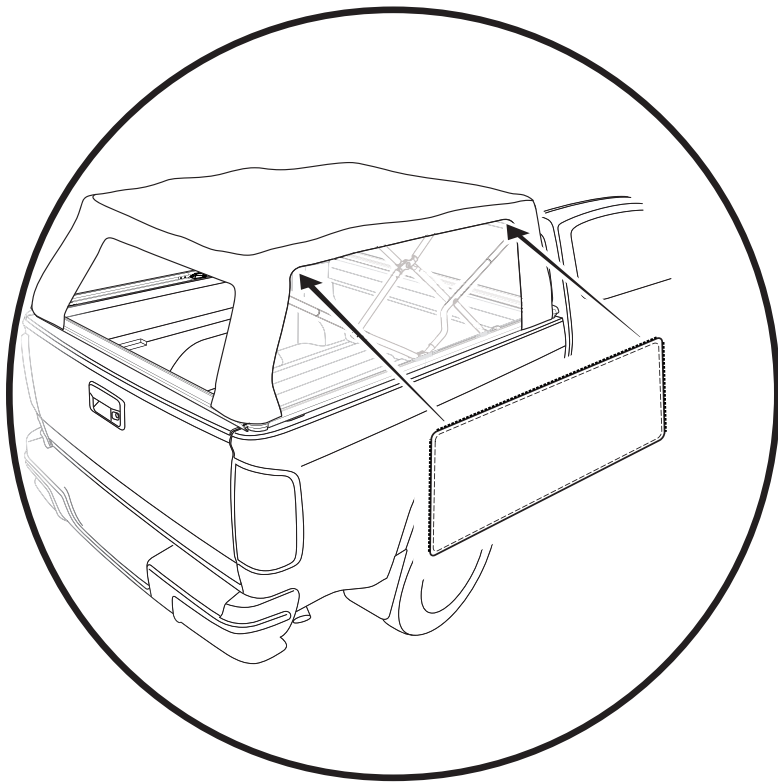
Place the folded Soft Top onto the unfolded Bow Assembly.

**Note:** Window should go towards the front of the Bow Assembly.



Unfold the front and back of the Top over the #1 and #4 Bows.



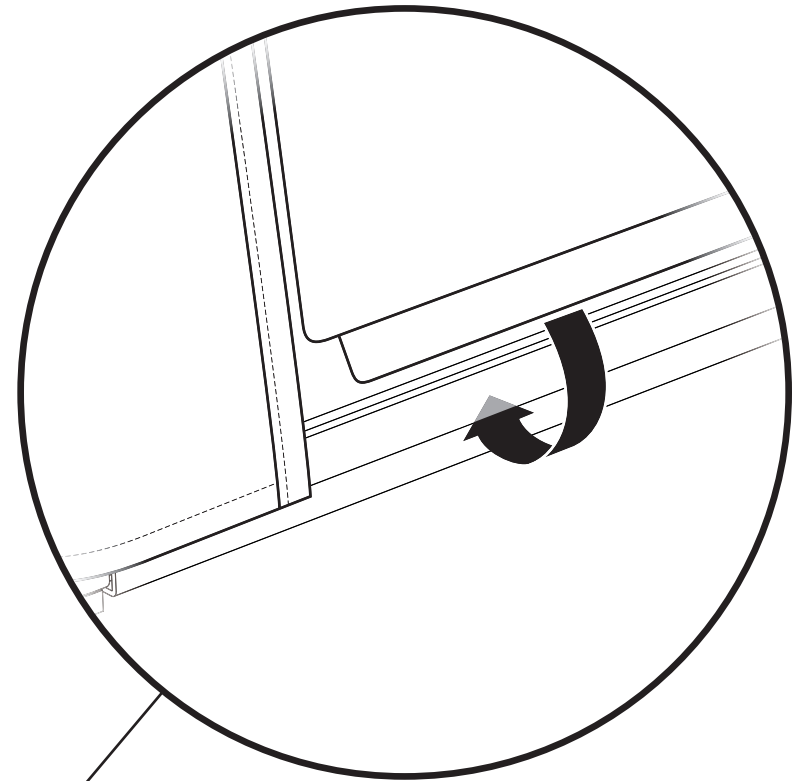


For easier access to the zippers, you may want to lift the corners of the top onto the roof fabric.

Zip the Rear Window and Side Curtains into place.

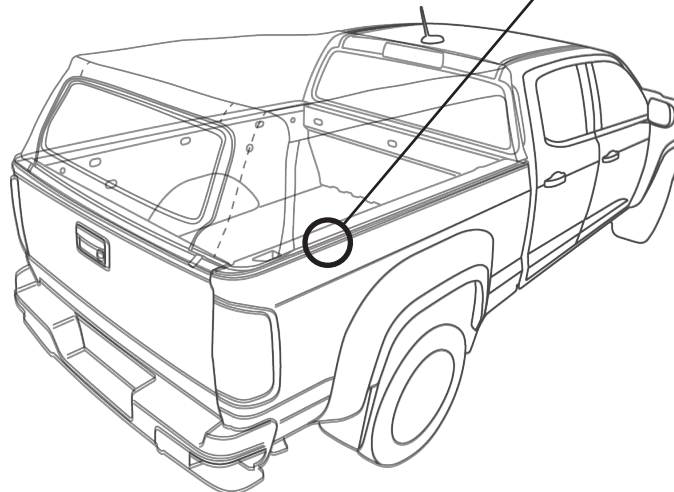
Start with the zipper along the top edge of each panel, and then follow with the side zippers. For ease of installation, start each zipper only about 6".

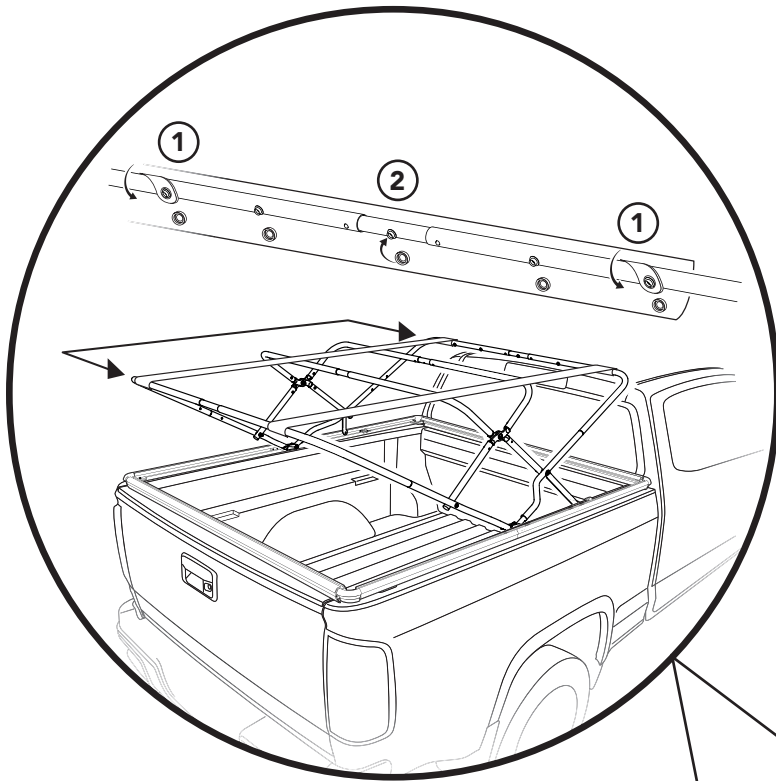
Once all zippers are started, flip the rear corners into the rail, then zip all zippers completely shut.



Tuck the plastic tab along the bottom edge of each Side Curtain into the slot along the side of each Side Rail.

Tuck the plastic tab along the bottom of the Rear Window into the slot along the side of the Rear Rail.





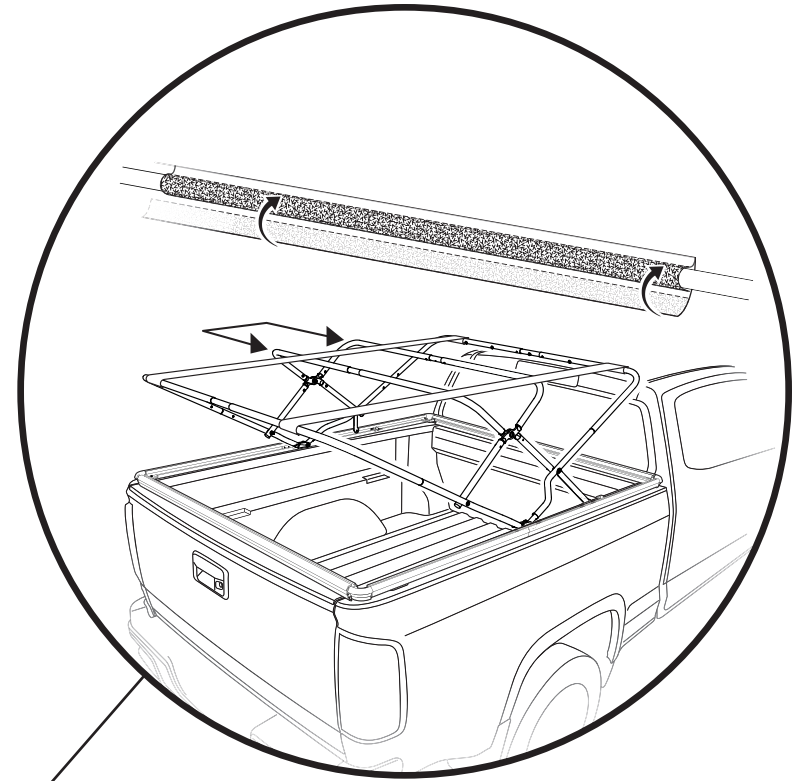
From inside the truck bed:

① Wrap the small flaps with holes over the outer-most snaps on the #1 bow (Bow closest to the truck cab).

② Wrap the fabric flap around the #1 Bow and snap all five snaps to secure the fabric to the Bow.

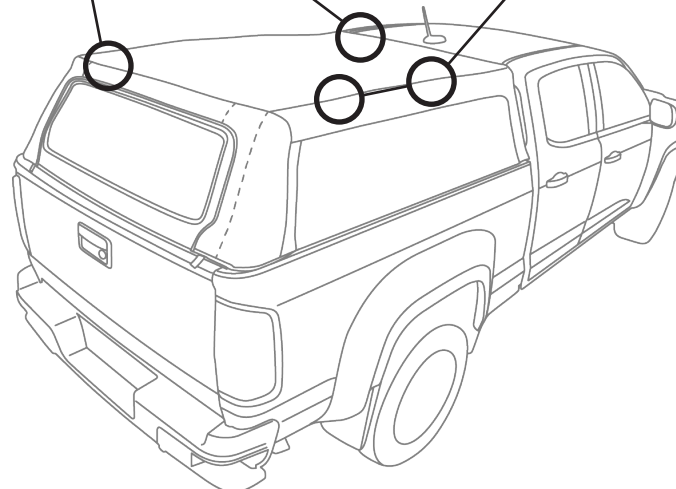
**NOTE:** Secure the outer snaps before securing the center snaps.

Repeat for the #4 Bow (Bow closest to the truck tailgate).

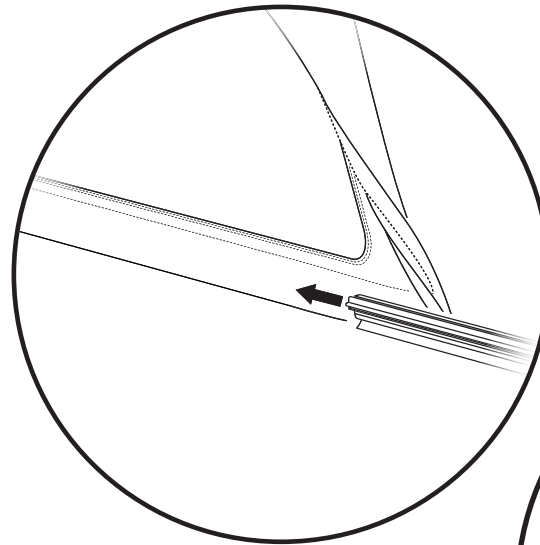
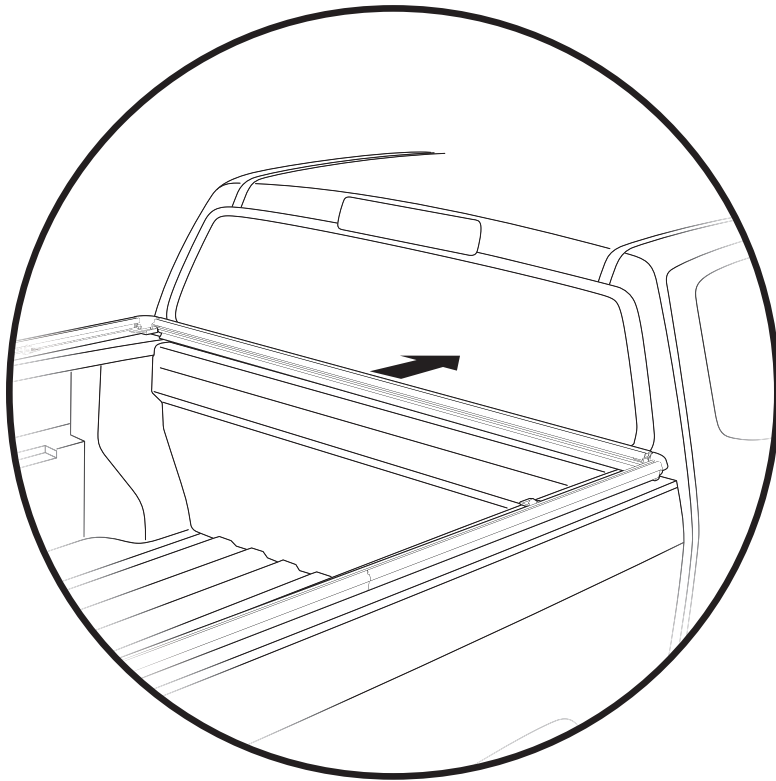


From inside the truck bed:

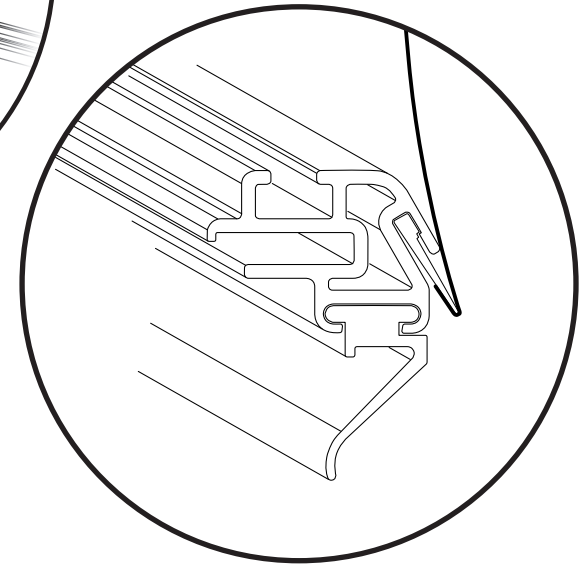
Wrap the fabric flaps with hook-and-loop around the #2 and #3 bows (the two middle bows) to secure the top fabric to these Bows.



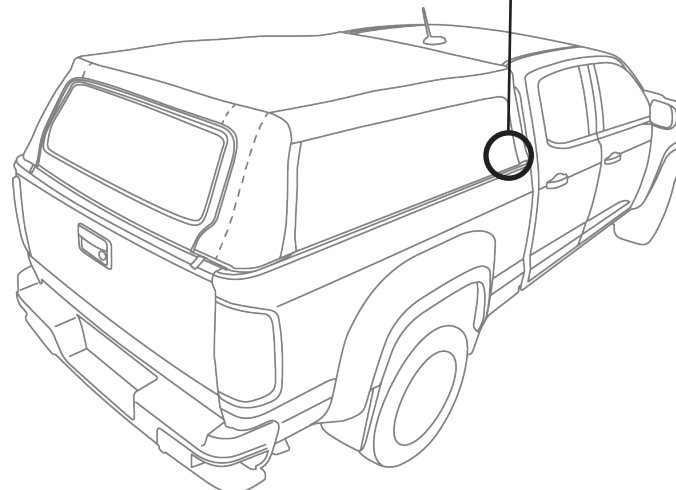




Detail

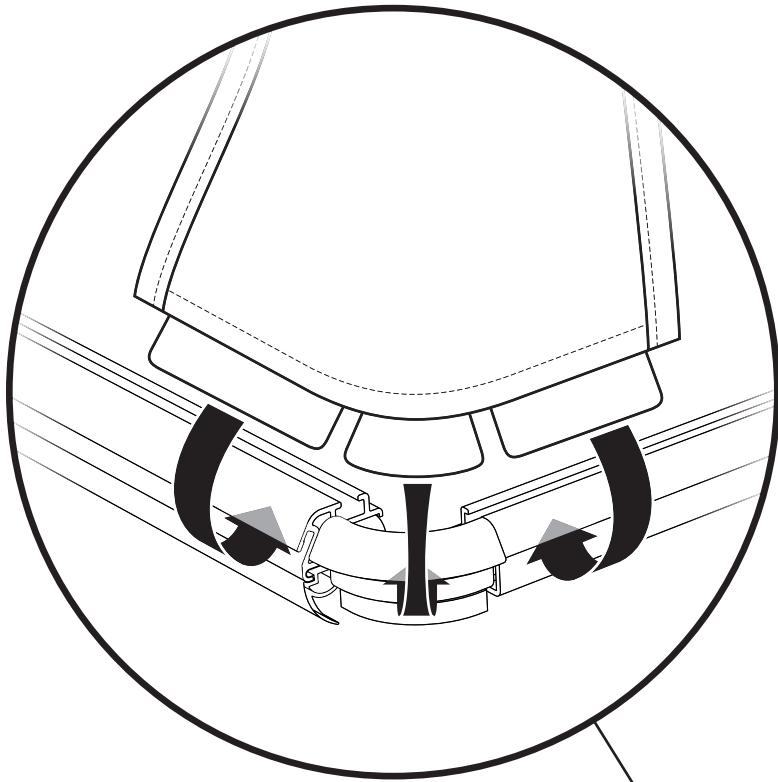


Remove the front rail, by sliding it toward the front of the truck bed.

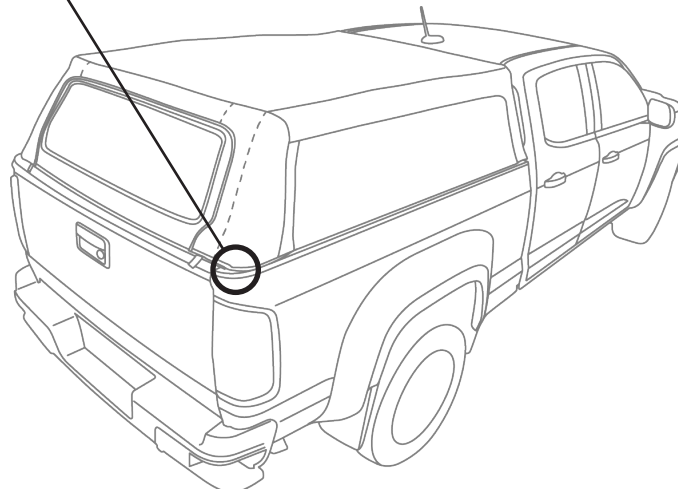


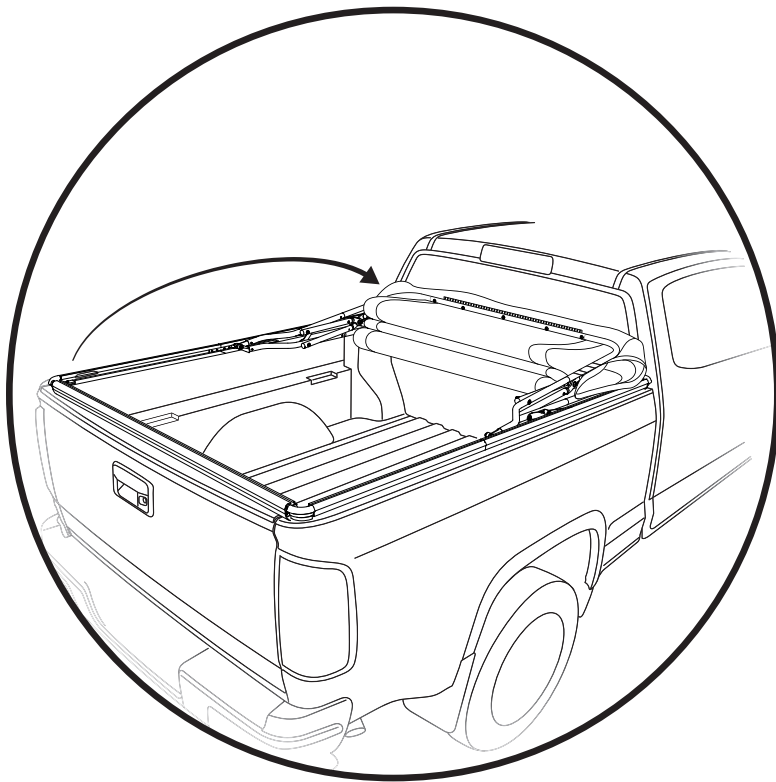
Slide the front rail onto the plastic retainer at the bottom of the front window. The rail should go under the large flap.

See Detail.

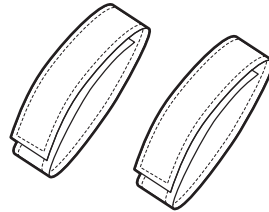


Tuck the plastic tabs at the bottom of each corner of the top into the slots in the Side Rails and Front and Rear Rails.

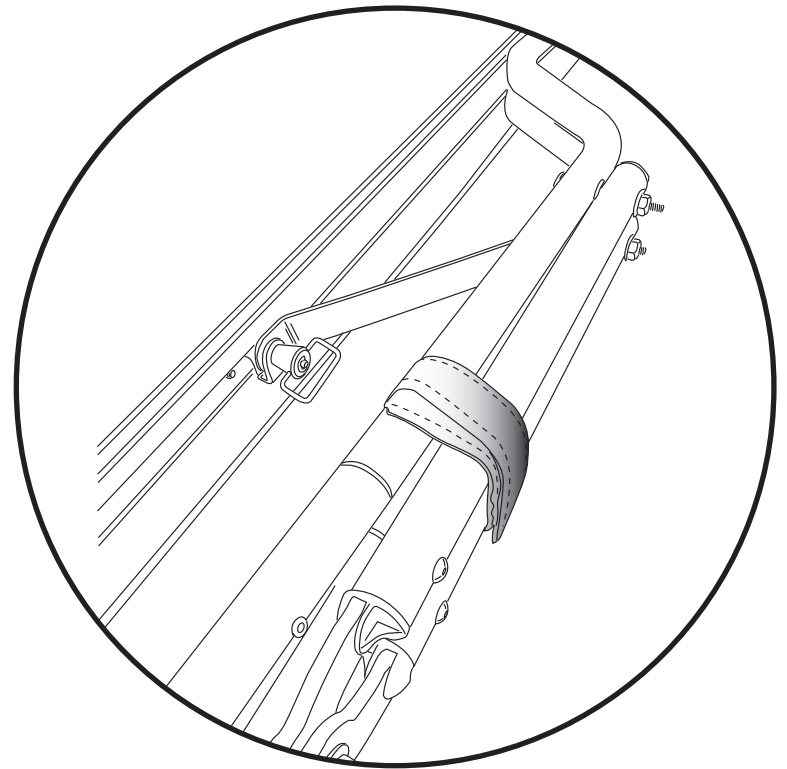




**Parts**



Tie Down Strap  
Part #410.42  
Qty. 2



To open the top:

Unzip and remove Side Curtains.

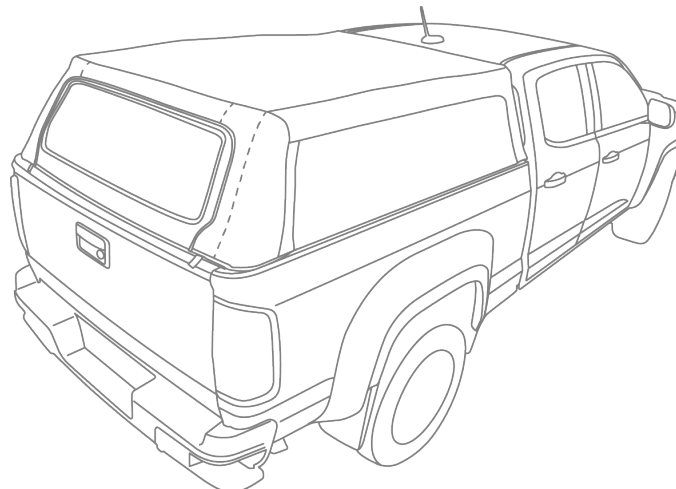
Unzip and remove Rear Window.

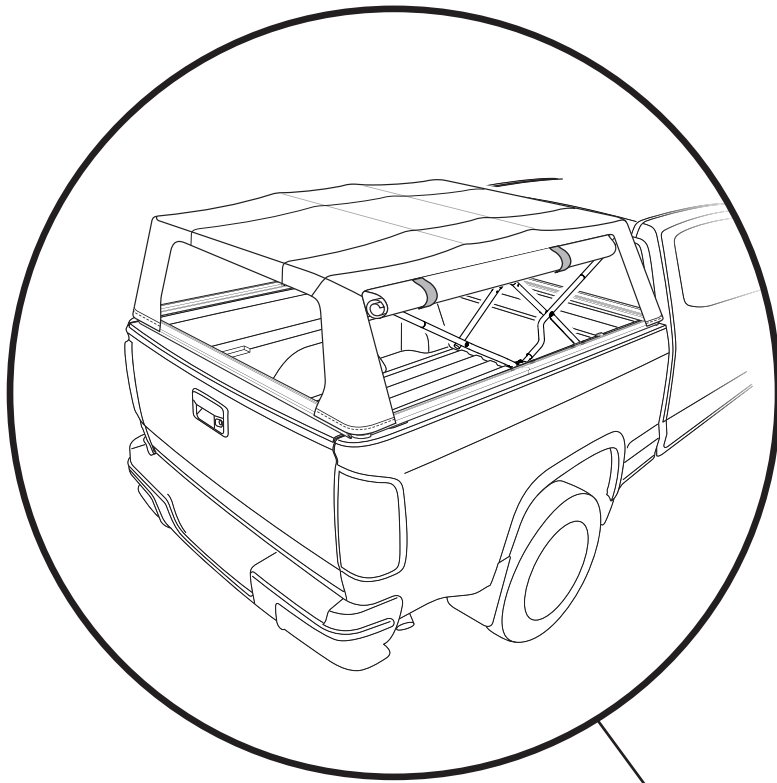
Release plastic tabs from rails all around.

Flip rear corners of top fabric up onto roof.

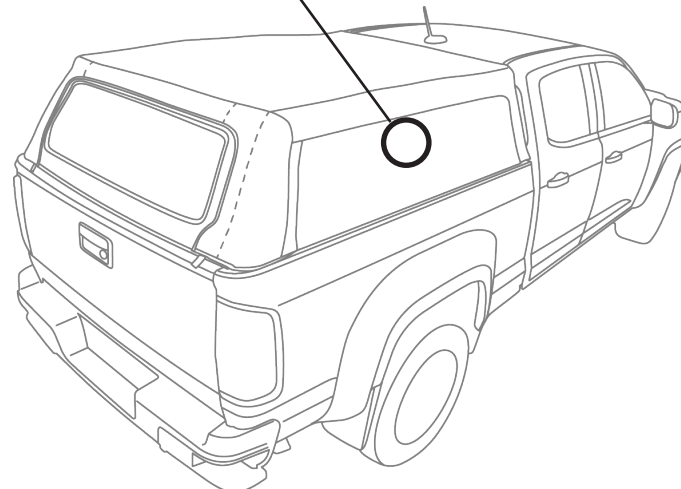
Fold the top forward so that all the bows collapse and rest on the Front Rail.

After the top is laid down, Wrap the Tie Down Straps (1 per side) around the bow stack.





With the Fabric Top up, the Side Curtains can be rolled up and secured with Roll Up Straps.





## Warranty Information Supertop for Trucks

Vehicle Application:  
Nissan Frontier 5 FT Bed 2005-Current  
Part Number 77338

### WHAT BESTOP WARRANTIES

Subject to the terms and conditions of sale, including any terms and conditions set forth by Bestop, Inc. (“Bestop” or “us” or “we”) in our then-current terms of sale on our website (collectively, the “Terms”), Bestop represents and warrants that: the covered products listed in the “Covered Products and Warranty Periods” section (a “Product”) will substantially be free from defects in materials and workmanship for the specified warranty periods set forth in that section.

### THE WARRANTY IS LIMITED AND CONDITIONAL

This warranty applies to the original purchaser of the Product only. The warranty is valid only as long as the original retail purchaser owns the vehicle upon which the Product is installed. The warranty expires should the Product be removed from the original vehicle or if the original vehicle is transferred to another owner. This warranty is not transferable or assignable. The warranty does not apply to Product bought from auction-style or price-bid websites.

THE LIMITED WARRANTY AND STATED REMEDIES ARE SOLE AND EXCLUSIVE AND IN LIEU OF ALL OTHER WARRANTIES AND REMEDIES, AND COMPANY EXPRESSLY DISCLAIMS ALL IMPLIED OR STATUTORY OR OTHER WARRANTIES, INCLUDING WITHOUT LIMITATIONS WARRANTIES OF MERCHANTABILITY, NON-INFRINGEMENT OR FITNESS FOR A PARTICULAR PURPOSE. IN NO EVENT WILL COMPANY BE LIABLE FOR ANY SPECIAL, INCIDENTAL, CONSEQUENTIAL, PUNITIVE, INDIRECT OR EXEMPLARY DAMAGES OF ANY KIND, INCLUDING LOST PROFITS OR REVENUE, HOWEVER CAUSED, WHETHER FOR BREACH OR REPUDIATION OF CONTRACT, TORT, BREACH OF WARRANTY, NEGLIGENCE, OR OTHERWISE, WHETHER OR NOT COMPANY WAS ADVISED OF THE POSSIBILITY OF SUCH LOSS OR DAMAGES.

Some states do not allow exclusion or limitation, so this may not apply to you. This warranty gives you specific legal rights, and you may have other rights which vary from state to state.

### EXCLUSIONS TO THE WARRANTY

The Limited Warranty excludes, and Bestop is not liable in any way for any warranty claims, damages, or defects related to:

- Misuse, abuse, accidents, vandalism, negligence, fire, or improper installation or modification, or improper or inadequate maintenance;
- Failure to comply with any Product documentation, Bestop instructions, or applicable law or regulations; use in extreme conditions
- Force Majeure including but not limited to, earthquake, hurricane, tornado, flooding, or other disasters natural or man-made, civil unrest, strikes, declared or undeclared war, or lack of performance by, or discontinued product of, supply chain partners whose products, software, operations or management is beyond the control of Bestop;
- Damage resulting in breakage (including without limitation, spontaneous breakage, accidental breakage or breakage by any other means) of a Product or any component part;
- Damage to vinyl windows due to misuse, or cracking due to varying weather conditions.

### YOUR SOLE REMEDY

During the applicable warranty period, Bestop shall, at its option, either repair or replace any Product that it confirms, in its discretion, is non-compliant with the warranties herein. Bestop will not pay for labor charges associated with installation or removal of the Product. Should a specific Product be discontinued, Bestop may, at its option, replace the discontinued Product with a current product or like product.

Please retain your proof of purchase. Original proof of purchase for the Product must accompany any warranty claim. If you have a warranty claim, first you must email Bestop Customer Service at [csbestop@bestop.com](mailto:csbestop@bestop.com) for instructions. All claims must be emailed to [csbestop@bestop.com](mailto:csbestop@bestop.com) within 30 days of discovery of a defective Product, but in no event later than thirty days after the end of the applicable Warranty Period (the “Warranty Notice Period”). Warranty claims made after the Warranty Notice Period are null and void and Bestop shall have no responsibility with respect to such claims.

THIS SECTION SETS FORTH BESTOP’S SOLE OBLIGATION & YOUR SOLE REMEDY WITH RESPECT TO ANY DEFECTS OR OTHER PRODUCT ISSUE. ANY PRODUCTS REPLACED UNDER TERMS OF THIS WARRANTY WILL BE COVERED UNDER TERMS & BALANCE OF THE DURATION OF THE ORIGINAL LIMITED WARRANTY FOR SUCH PRODUCT.



## Warranty Information Supertop for Trucks

Vehicle Application:  
Nissan Frontier 5 FT Bed 2005-Current  
Part Number 77338

**COVERED PRODUCTS AND WARRANTY PERIODS:** The warranty time periods are as follows for Products manufactured by Bestop:

### **BESTOP® LIMITED LIFETIME WARRANTY**

Trektop® Pro Twill Fabric Top Sunrider® for Hardtop Twill Fabric Top  
Trektop® NX Glide Twill Fabric Top Replace-a-Top™ Twill Fabric Top  
Trektop® NX Twill Fabric Top Supertop® NX Twill Fabric Top  
EZFold™ Soft Tonneaus Floor & Cargo Liners  
ZipRail™ Soft Tonneaus Pet Barriers  
EZRoll™ Soft Tonneaus

### **BESTOP® 5-YEAR LIMITED WARRANTY**

Trektop® NX Glide™ Top (non-Twill) Sunrider® for Hardtop (non-Twill) Replace-a-Top™ Top (non-Twill) Trektop® NX Top (non-Twill)  
Sailcloth Replace-a-Top™ Supertop® NX Top (non-Twill)  
Tigertop™ and Halftop™ Supertop® Classic Soft Top Sunrider® Complete Soft Top Supertop® for Truck  
EZ Fold Hard Tonneau

### **BESTOP® 3-YEAR/100K MILES LIMITED WARRANTY**

Powerboard® & Powerboard® NX  
Trekstep®, Side Mount  
Trekstep®, Rear Mount

### **BESTOP® 3-YEAR LIMITED WARRANTY**

Pavement Ends Sprint Top

### **BESTOP® 2-YEAR LIMITED WARRANTY**

Trektop® Classic Soft Top  
RoughRider™ Soft Storage

### **BESTOP® 1-YEAR LIMITED WARRANTY**

All other Bestop® & Pavement Ends™ products not specified above.

For further information or request for warranty work, please contact:

Bestop Inc. Customer Service

Toll-Free: (800)845-3567

E-mail: [csbestop@Bestop.com](mailto:csbestop@Bestop.com)

Website: [www.Bestop.com](http://www.Bestop.com)

This product may be covered by 1 or more patents or pending applications, information can be found at [www.bestop.com/patents](http://www.bestop.com/patents)