

**BESTOP**

Windjammer

Installation Instructions

*For: CJ7, '80-'86 and Wrangler*

**Part Number: 80028**

**Installation Time**



30 Minutes

**Skill Level**



2 - Moderatly Easy

**Important Note:** Windjammer is custom designed to attach to the leading edge of Bestop's Duster Rear Deck Cover, which covers folded soft top bow assemblies. If the installation of the Windjammer and Duster Deck Cover is being performed on an original equipment hardtop vehicle, an extension flap may be required. If this flap is not present in the Duster package, it may be obtained from Bestop.

**WARNING**

This product is designed to enhance the appearance of the vehicle. Do not rely in any way on the components of this product to contain occupants or cargo within the vehicle, or to protect against injury or death in the event of an accident. This top will not protect the occupants from falling objects. Never operate vehicle in excess of manufacturer's specifications.

**WEAR SEAT BELTS AT ALL TIMES**

Read and follow, precisely, all installation instructions provided when installing top. Failure to do so may result in a poor fitting top and could place occupants of the vehicle in a potentially dangerous situation.

**Installation Tips**

*Before you begin installing this Windjammer assembly, read all instructions thoroughly. Below are a few tips to make this installation easier.*

**For a smooth fit:**

For ease in installation, the Windjammer should be installed at temperatures above 72° F. Below this temperature, the fabric may contract an inch or more, making it difficult to fit to the vehicle.

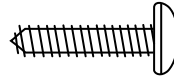
It is normal for the fabric to contract and wrinkle when stored in the shipping carton. Within a few days after the installation, the fabric will relax and the wrinkles will disappear.

## Parts List and Hardware Identification

Windjammer Fabric Qty - 1  
 "Z" Channel, 5" Qty - 2  
 "Z" Channel, 17" Qty - 1

### Tools Needed

1/8" Drill Bit and Drill Motor  
 Phillips Screwdriver  
 Pencil



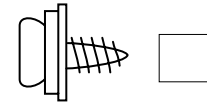
#8 x 1" Pan Head Screw, Qty - 7,  
 Part Number 295.95



Acorn Locknut, Qty - 3,  
 Part Number 293.94



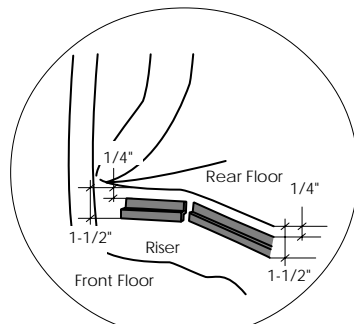
#20 Torx Snap Head Screw, Qty - 3,  
 Part Number 200.49



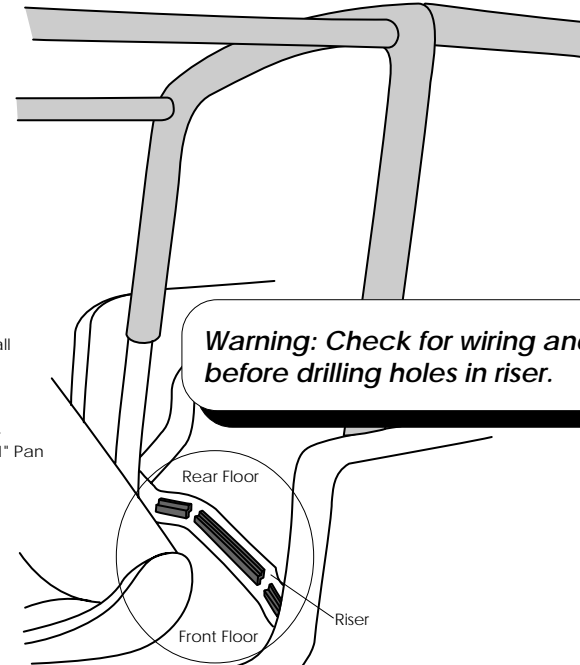
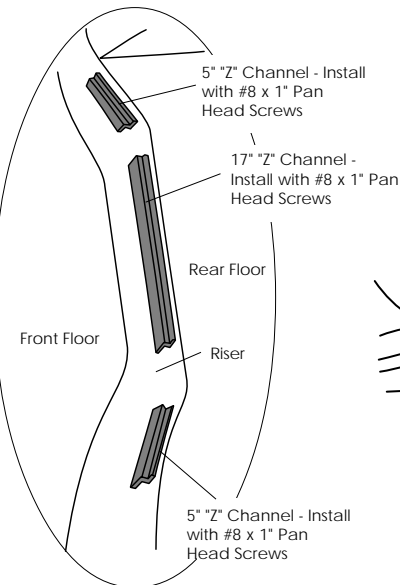
## Step One

Fold the front seats forward and locate the three pieces of "Z" Channel in the parts kit. Install the three pieces of "Z" Channel on the vertical face of the riser between the front and rear floors. The 17" piece will be centered in the flat area in the middle of the vehicle. The two 5" pieces will be installed on the sides of the curve. The top edge of all channel pieces should be 1/4" down from the top of the riser. The bottom edge of the channel should be 1 1/2" down from the top of the riser. Use the holes in the channel pieces as guide to mark, center punch and drill 1/8" holes. Install the three pieces of channel using the #8 x 1" Pan Head Screws from the parts kit.

## Windjammer Installation



**Note:** After drilling the holes for the "Z" Channel in the floor riser, put silicone sealer on the holes before installing the channel with the screws.

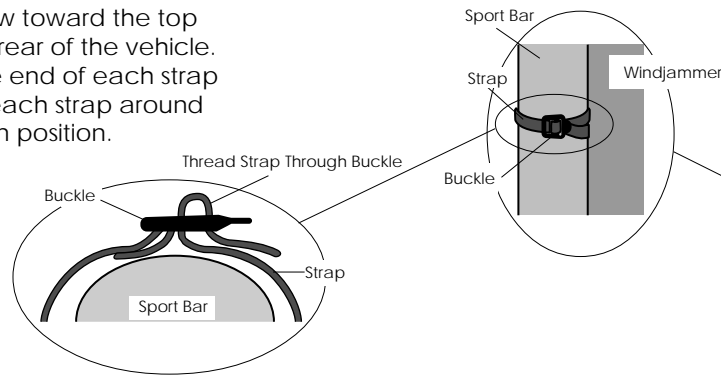


**Warning:** Check for wiring and fuel lines before drilling holes in riser.

**Warning:** Do not remove the "Z" Channel from your vehicle once it has been installed. If this is necessary, make sure the screw holes have been covered with a sealer.

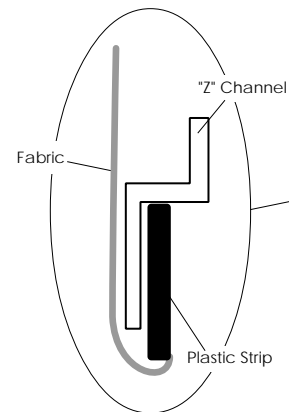
## Step Two

Orient the Windjammer with the window toward the top and with the vinyl side out, toward the rear of the vehicle. Start with the top straps and thread the end of each strap through each buckle. Loosely tighten each strap around the sport bar to hold the Windjammer in position.



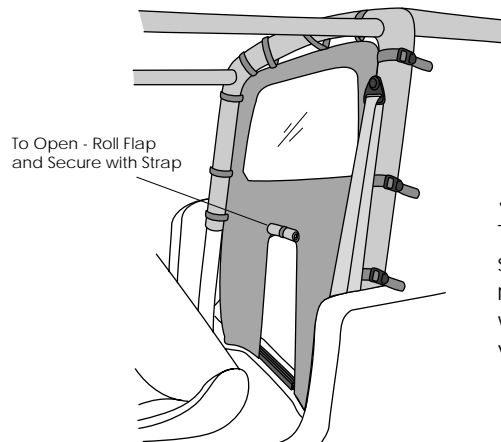
## Step Three

Gently pull down on the bottom of the Windjammer fabric and slip the plastic strip sewn on the bottom of the fabric into the "Z" Channel pieces installed earlier,



## Step Four

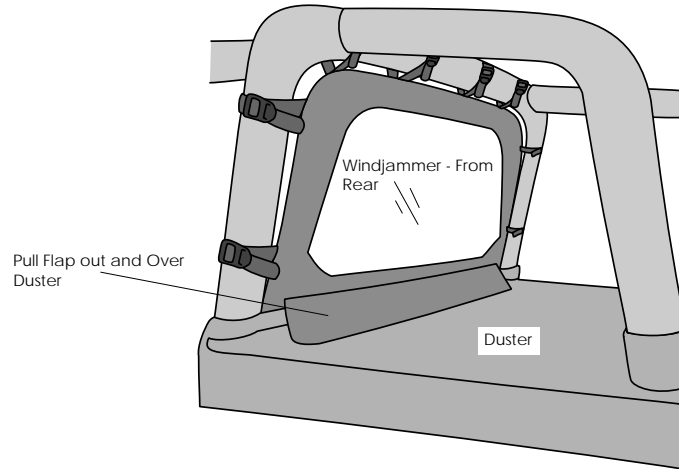
Once the plastic strip is in place in the "Z" Channel, Tighten up all the straps.



## Step Five

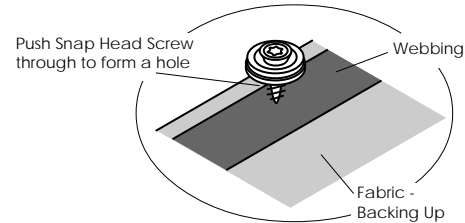
To open the center flap in the Windjammer, use the tab on the side of the center flap and pull down gently on the fabric to release the plastic strip from the "Z" Channel. Roll the flap up, wrap the strap around the flap and snap it to the stud on the vinyl side of the Windjammer, under the rear flap.

## If You Have a Bestop Duster Rear Deck Cover on Your Vehicle



### Step One

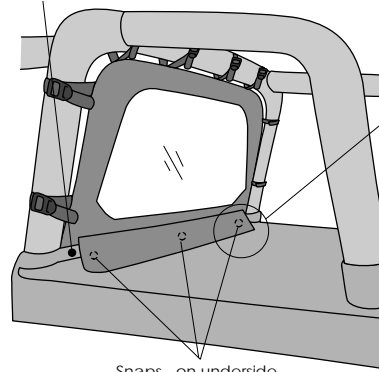
Locate the flap sewn to the rear of the Windjammer. Pull the flap out over the top of the front edge of the Duster.



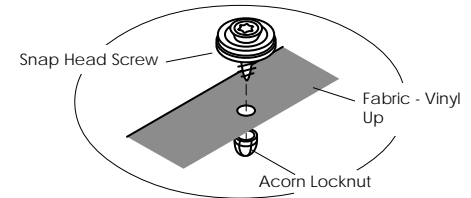
### Step Two - Optional

Pull up on the front, reinforced edge of the Duster and mark the locations matching the three snaps on the Windjammer flap, on the webbing along the top of the Duster.

Install Studs on Webbing Reinforced Front Edge



Snaps - on underside of flap



### Step Three - Optional

At the marked locations, push the sharp end of a Snap Head Screw through the Duster from the webbing side, to make a hole. Once a hole is formed, pull the screw back out of the hole. Then push the screw through the hole from the vinyl side so that the snap is on top of the vinyl. Thread an Acorn Locknut over the pointed end of the Snap Head Screw.

## Care and Maintenance of your New Windjammer

Your Windjammer is made of the finest materials available. To keep it looking new and for the maximum possible wear, it will need periodic cleaning and maintenance.

**Washing:** The fabric should be washed often using soap, warm water and a soft bristle brush. Rinse with clear water to remove all traces of soap.

**Windows:** Keep windows clean to avoid scratching. DO NOT use a brush on the windows! Wash with a water-soaked cloth or sponge and a mild dishwashing detergent. NEVER WIPE THE WINDOWS WHEN THEY ARE DRY. Be careful when cleaning snow or frost from the vinyl windows since they are easily scratched and may crack at low temperatures. DO NOT roll the sides or rear window in cold weather. The windows become stiff and will crack.

**Snaps:** Keep snaps cleaned and lubricated with silicone to help prevent snaps from sticking to the studs. If a snap does become stuck to a stud, use a screwdriver and GENTLY pry apart to prevent permanent damage to the snap or the top fabric.

## LIMITED WARRANTY

We warrant our product to be free from defects in material and workmanship, for terms specified below, provided there has been normal use and proper maintenance. This warranty applies to the original purchaser only. All remedies under this warranty are limited to the repair or replacement of any item or items found by the factory to be defective within the time period specified.

If you have a warranty claim, first you must call our factory at the number below for instructions. You must retain proof of purchase and submit a copy with any items returned for warranty work. Upon completion of warranty work, if any, we will return the repaired or replaced item or items to you freight prepaid. Damage to our products caused by accidents, fire, vandalism, negligence, misinstallation, misuse, Acts of God, or by defective parts not manufactured by us, is not covered under this warranty.

THE WARRANTY TIME PERIOD IS AS FOLLOWS: ALL "SOFT GOODS" MANUFACTURED BY OUR COMPANY: ONE YEAR FROM DATE OF PURCHASE.

ANY IMPLIED WARRANTIES OF MERCHANTABILITY AND/OR FITNESS FOR A PARTICULAR PURPOSE CREATED HEREBY ARE LIMITED IN DURATION TO THE SAME DURATION AND SCOPE AS THE EXPRESS WRITTEN WARRANTY. OUR COMPANY SHALL NOT BE LIABLE FOR ANY INCIDENTAL OR CONSEQUENTIAL DAMAGE.

Some states do not allow limitations on how long an implied warranty lasts, or the exclusion or limitation of incidental or consequential damages, so the above limitations or exclusions may not apply to you.

This warranty gives you specific legal rights, and you may also have other rights which vary from state to state.

For further information, please contact:

Bestop Inc.  
Customer Service  
(800) 845-3567

\*All or a portion of this product may have been produced in China.

