



Installation Instructions

Duster™ Deck Cover


(Dual Top/Soft Top Only)


Vehicle Application

- Jeep JK Wrangler
2007 – Current
Part Number: 90033

This product must be used with the factory soft top tailgate bar or Bestop Tailgate Bar Kit, part number 52601.

www.Bestop.com - We're here to help! Visit our web site and click on ["Ask a Question"](#). Click here for more [Jeep Accessories by Bestop](#).

INSTALLATION TIME	SKILL LEVEL
 <p>1/2 Hour</p>	<p>1 2 3 4</p> <p>1 - Easy</p>

TOOLS
<p>Safety Glasses</p> 



Installation Tips

Before you begin installing this assembly, read all instructions thoroughly.

For a smooth fit:
For ease in installation, the product should be installed at temperatures above 72° F. Below this temperature, the fabric may contract an inch or more, making it difficult to fit to the vehicle. It is normal for fabric to contract and wrinkle when stored in the shipping carton. Within a few days after the installation, the fabric will relax and the wrinkles will disappear.

CAUTION Safety glasses should be worn at all times while installing this product.

WARNING This product is designed primarily to enhance the appearance of the vehicle and to shield the occupants from ordinary weather conditions. Do not rely in any way on the components of this product to contain occupants within the vehicle, or to protect against injury or death in the event of an accident. This product will not protect the occupants from falling objects. Never operate the vehicle in excess of manufacturer's specifications.

WEAR SEAT BELTS AT ALL TIMES

Read and follow, precisely, all installation instructions provided when installing product. Failure to do so may result in a poor fit and could place occupants of the vehicle in a potentially dangerous situation.

Duster™ Deck Cover – Installation Instructions

Parts List

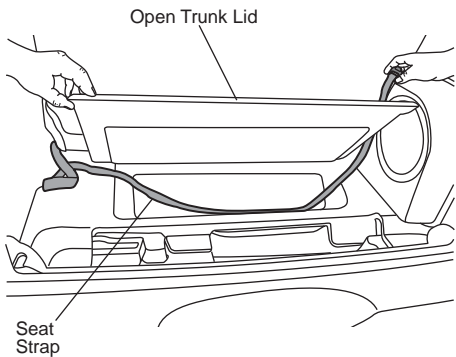
Duster™ Deck Cover	Qty - 1
Seat Strap	Qty - 1

1 Remove Soft Top

Remove the soft top and hardware. Set the Tailgate Bar aside to be used to install the Duster Deck Cover.

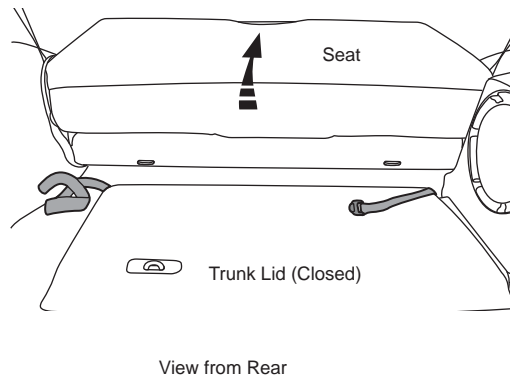
2 Place Seat Strap in Trunk

Open the trunk and lay the Seat Strap across the bottom of the trunk.



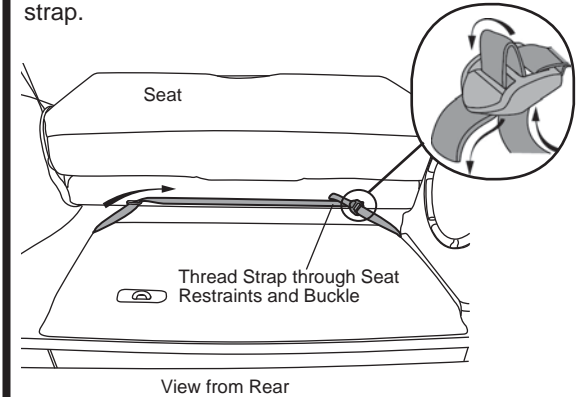
3 Tumble Seat Forward

Fold the seat forward.



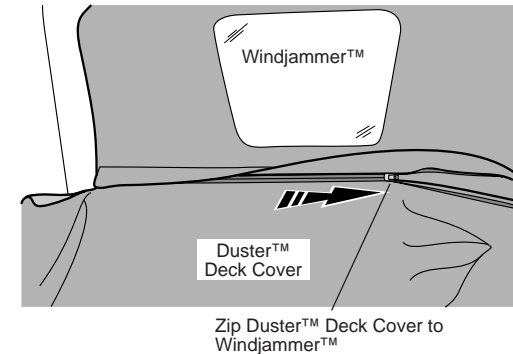
4 Thread Seat Strap through Child Seat Restraints

Thread the end of the Seat Strap through the child seat restraints and through the buckle. Tighten the strap.



5 Secure Duster™ Deck Cover to Windjammer™ – Optional

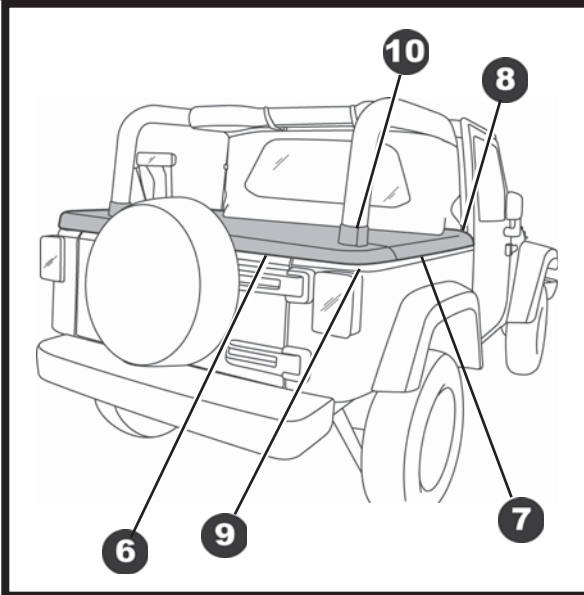
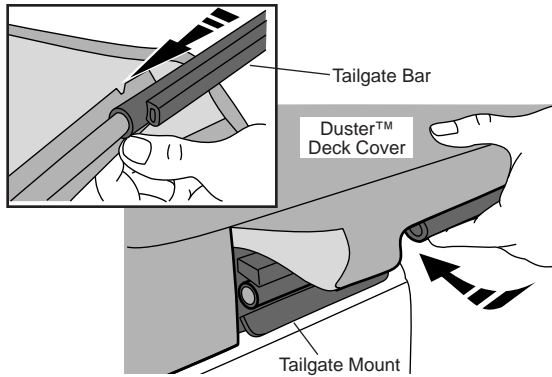
If you have a Windjammer™ on your vehicle, zip the Duster™ Deck Cover to the zipper under the flap on the Windjammer™.



Duster™ Deck Cover – Installation Instructions

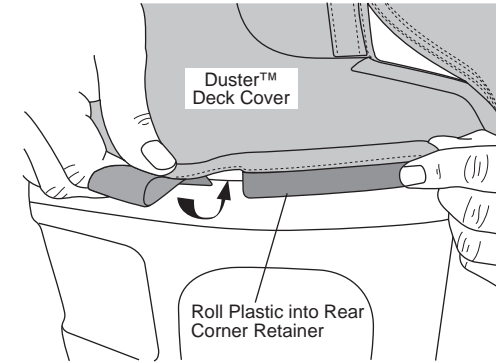
6 Install Tailgate Bar

Slide the "C" channel on the Tailgate Bar onto the tubed strip sewn to the rear of the Duster™ Deck Cover. Insert the Tailgate Bar into the mounts on each side of the tailgate opening.



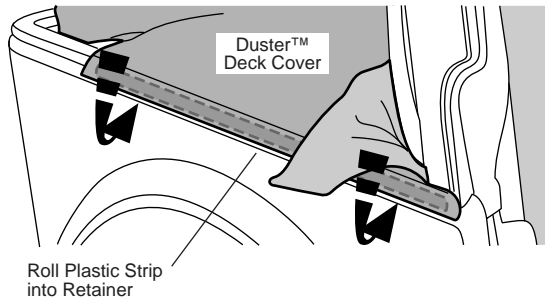
9 Secure Rear Corners

Roll the plastic strip on the rear corners of the Duster™ Deck Cover into the retainer channel on the vehicle.



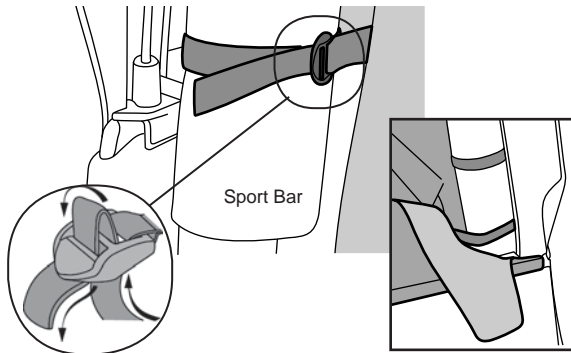
7 Secure Plastic Strips

Roll the plastic strip on each side of the Duster™ Deck Cover into the retainer channel on the vehicle.



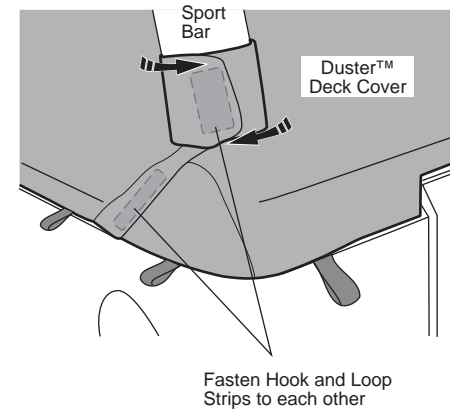
8 Secure Straps

Wrap the straps on the front of the Duster™ Deck Cover around the sport bar and the bows. Thread the end through the buckle.



10 Secure Collars

Wrap the two (2) collars around the rear sport bars and fasten the hook and loop strips to each other.



Duster™ Deck Cover – Installation Instructions

Care and Maintenance of your Bestop Product

Your Bestop product is made of the finest materials available. To keep it looking new and for the maximum possible wear, it will need periodic cleaning and maintenance.

Washing: The fabric should be washed often using soap, warm water and a soft bristle brush. Rinse with clear water to remove all traces of soap or use Bestop-recommended Bestop Cleaner and Bestop Protectant. Bestop Cleaner and Bestop Protectant are specially formulated to provide a total cleaning and protection system. Bestop Cleaner will not harm vehicle finish, is biodegradable and environmentally friendly. Bestop Protectant protects against UV-fading, cracking and hardening.

Water: Seeping through at the seams may be stopped by applying 3-M Scotchgard® on the inside of the seams. Rips in the fabric may be repaired with Bondex® iron on patches. Iron the patches to the Inside of the top, carefully following the Bondex® instructions.

LIMITED WARRANTY

We warrant our product to be free from defects in material and workmanship, for the terms specified below, provided there has been normal use and proper maintenance. This warranty applies to the original purchaser only. All remedies under this warranty are limited to the repair or replacement of any item or items found by the factory to be defective within the time period specified. If you have a warranty claim, first you must call our factory at the number below for instructions. You must retain proof of purchase and submit a copy with any items returned for warranty work. Upon completion of warranty work, if any, we will return the repaired or replaced item or items to you freight prepaid. Damage to our products caused by accidents, fire, vandalism, negligence, misinstallation, misuse, Acts of God, or by defective parts not manufactured by us, is not covered under this warranty.

THE WARRANTY TIME PERIOD IS AS FOLLOWS FOR REPLACE-A-TOP™, SAILCLOTH REPLACE-A-TOP™, SUPERTOP®, SUPERTOP® REPLACEMENT SKINS, SUNRIDER®, AND TIGERTOP®: TWO YEARS FROM DATE OF PURCHASE.

THE WARRANTY TIME PERIOD IS AS FOLLOWS FOR ALL OTHER “SOFT GOODS” MANUFACTURED BY OUR COMPANY (USING PRIMARILY VINYL, PLASTICS, AND/OR FOAM): ONE YEAR FROM DATE OF PURCHASE.

THE WARRANTY TIME PERIOD IS AS FOLLOWS FOR ALL OTHER “HARD GOODS” MANUFACTURED BY OUR COMPANY (USING PRIMARILY METALS, PLASTICS, AND/OR FIBERGLASS): ONE YEAR FROM DATE OF PURCHASE.

ANY IMPLIED WARRANTIES OF MERCHANTABILITY AND/OR FITNESS FOR A PARTICULAR PURPOSE CREATED HEREBY ARE LIMITED IN DURATION TO THE SAME DURATION AND SCOPE AS THE EXPRESS WRITTEN WARRANTY. OUR COMPANY SHALL NOT BE LIABLE FOR ANY INCIDENTAL OR CONSEQUENTIAL DAMAGE.

Some states do not allow limitations on how long an implied warranty lasts, or the exclusion or limitation of incidental or consequential damages, so the above limitations or exclusions may not apply to you. This warranty gives you specific legal rights, and you may also have other rights which vary from state to state.



For further information or request for warranty work, please contact:

Bestop Inc., Customer Service

Toll-Free: (800)845-3567

Main: (303)465-1755

E-mail: csbestop@Bestop.com

Website: www.Bestop.com